



US00D364452S

United States Patent [19] Wiggins

[11] Patent Number: **Des. 364,452**

[45] Date of Patent: ****Nov. 21, 1995**

[54] **AIR COOLING UNIT TO BE MOUNTED ON THE FRONT OF AN ELECTRIC FAN**

4,860,556 8/1989 Hammett 62/406
4,879,880 11/1989 Harrison 62/406
5,197,301 3/1993 Holcomb 62/457.1

[76] Inventor: **James R. Wiggins**, P.O. Box 894,
Bellmawr, N.J. 08099

Primary Examiner—Lisa P. Lichtenstein
Attorney, Agent, or Firm—Richard C. Litman

[**] Term: **14 Years**

[57] **CLAIM**

[21] Appl. No.: **22,979**

The ornamental design for an air cooling unit to be mounted on the front of an electric fan, as shown and described.

[22] Filed: **May 16, 1994**

[52] U.S. Cl. **D23/386**; D23/411

DESCRIPTION

[58] Field of Search D23/386, 411,
D23/314; 62/285, 288, 291; 416/95

FIG. 1 is a perspective view of an air cooling unit to be mounted on the front of an electric fan showing my new design;

[56] **References Cited**

U.S. PATENT DOCUMENTS

| | | | | |
|------------|---------|-------------|-------|---------|
| D. 174,947 | 6/1955 | Curran | | D23/411 |
| D. 337,819 | 7/1993 | Cunning | | D23/382 |
| 1,836,812 | 12/1931 | O'Brien | | 62/285 |
| 1,952,414 | 3/1934 | Brizzolara | | 62/93 |
| 1,993,013 | 3/1935 | Marr et al. | | 62/291 |
| 2,653,803 | 9/1953 | Baner | | 416/95 |
| 2,806,362 | 9/1957 | Calkins | | 62/406 |
| 2,841,964 | 7/1958 | Anderson | | 62/426 |
| 4,612,774 | 9/1986 | Budreau | | 62/59 |
| 4,612,778 | 9/1986 | Medrano | | 62/311 |

FIG. 2 is a front elevational view thereof;

FIG. 3 is a right side elevational view thereof;

FIG. 4 is a left side elevational view thereof;

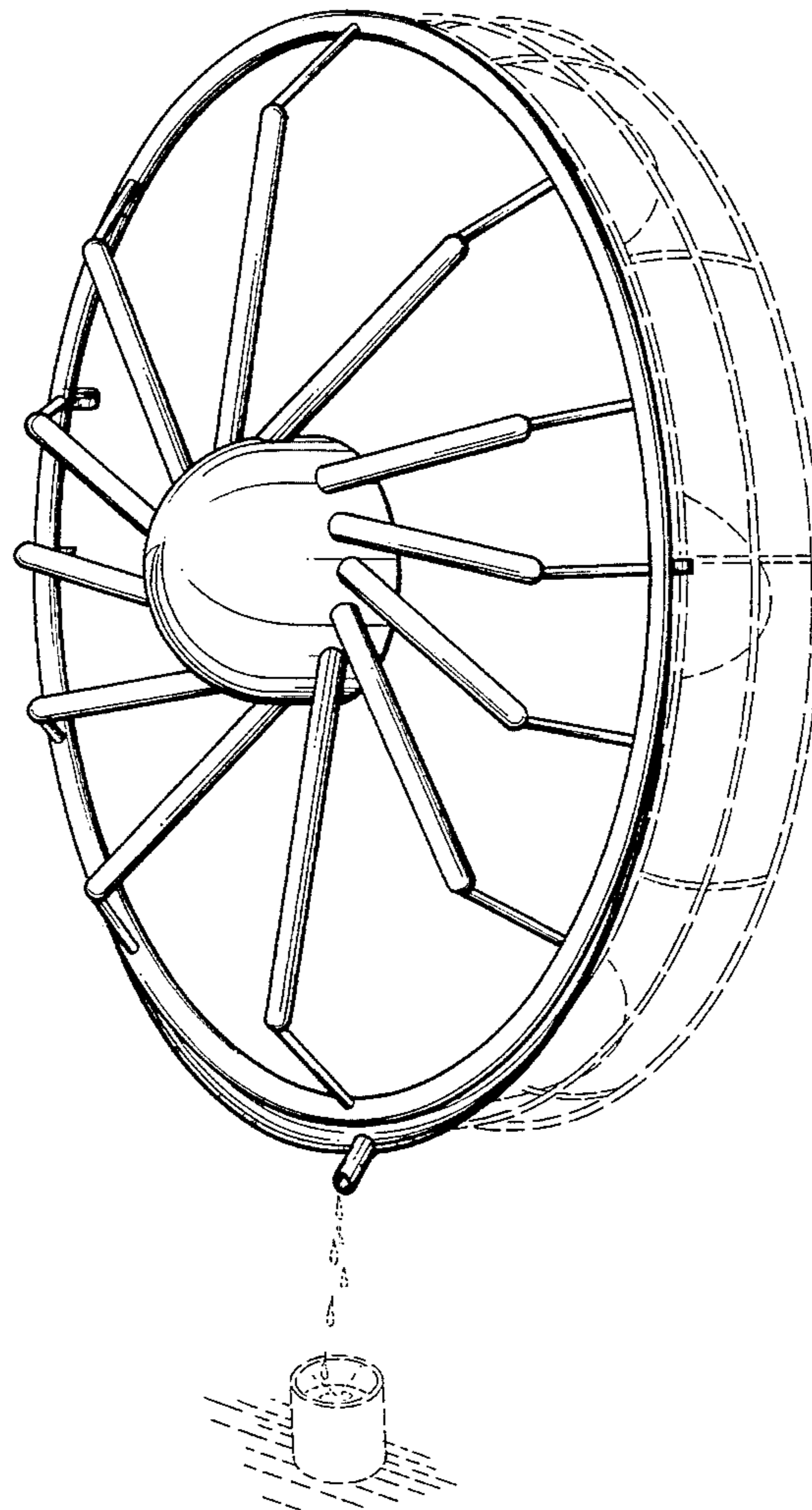
FIG. 5 is a rear elevational view thereof;

FIG. 6 is a top view thereof; and,

FIG. 7 is a bottom view thereof.

The broken line showing of a fan, water drops, a can, and a horizontal surface in FIG. 1, and of a portion of a fan in FIG. 3, is for illustrative purposes only and forms no part of the claimed design.

1 Claim, 4 Drawing Sheets



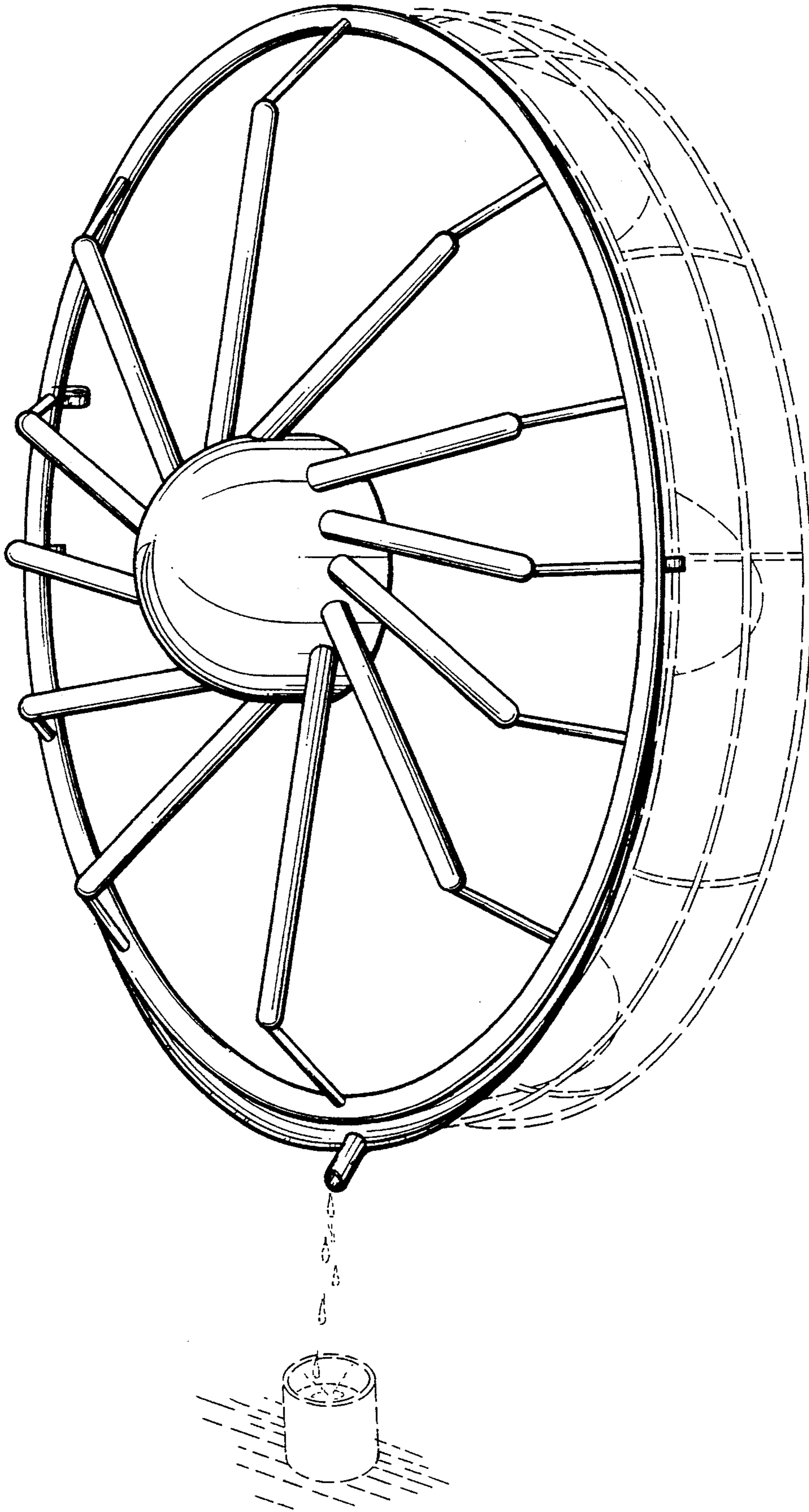


FIG. 1

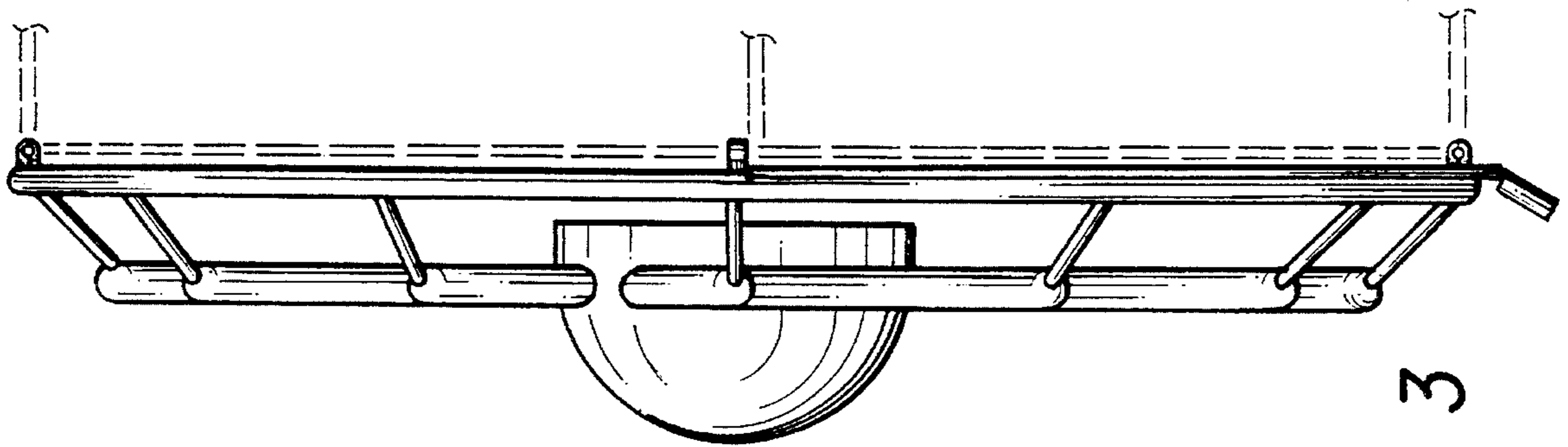


FIG. 3

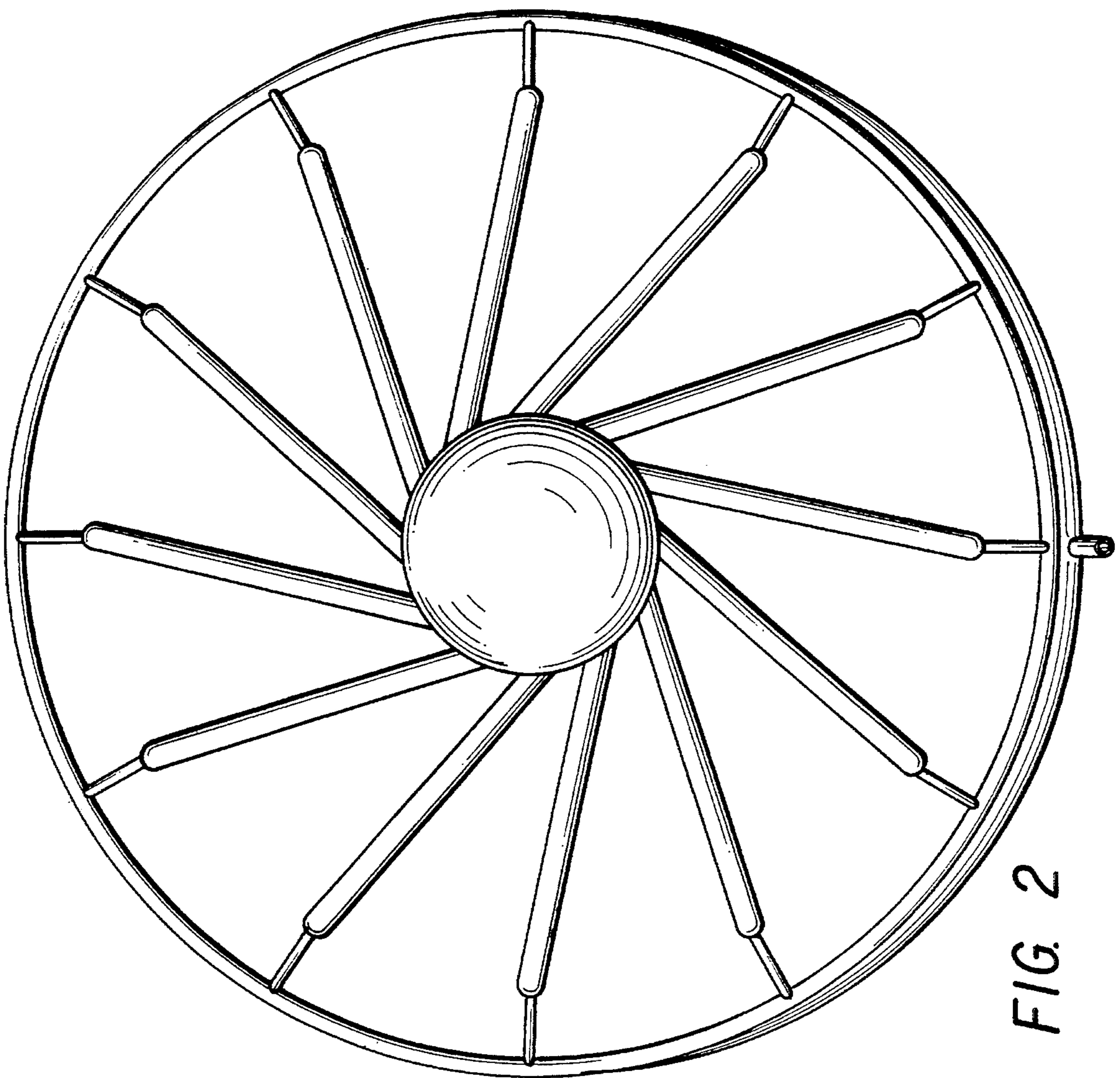


FIG. 2

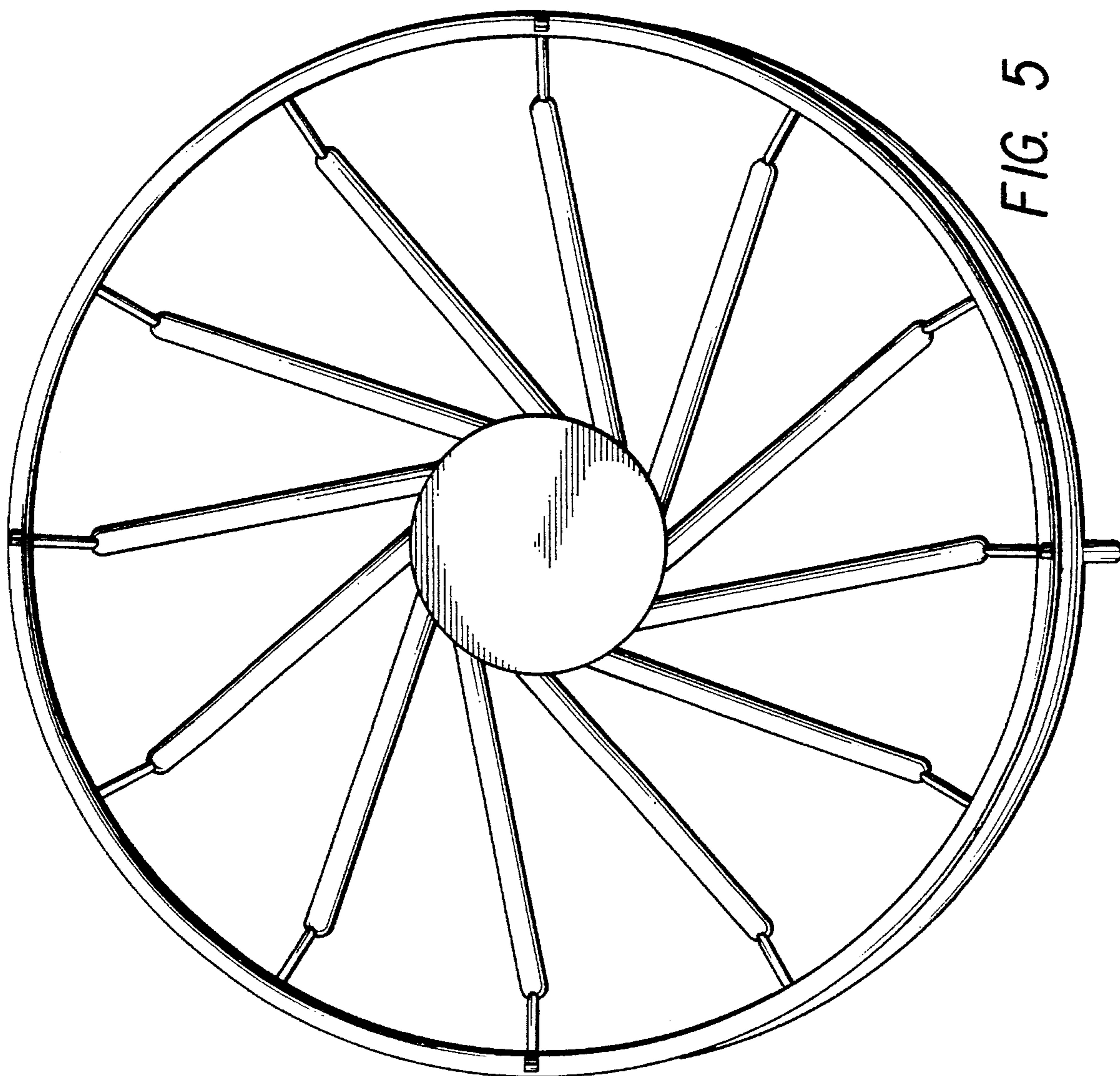


FIG. 5

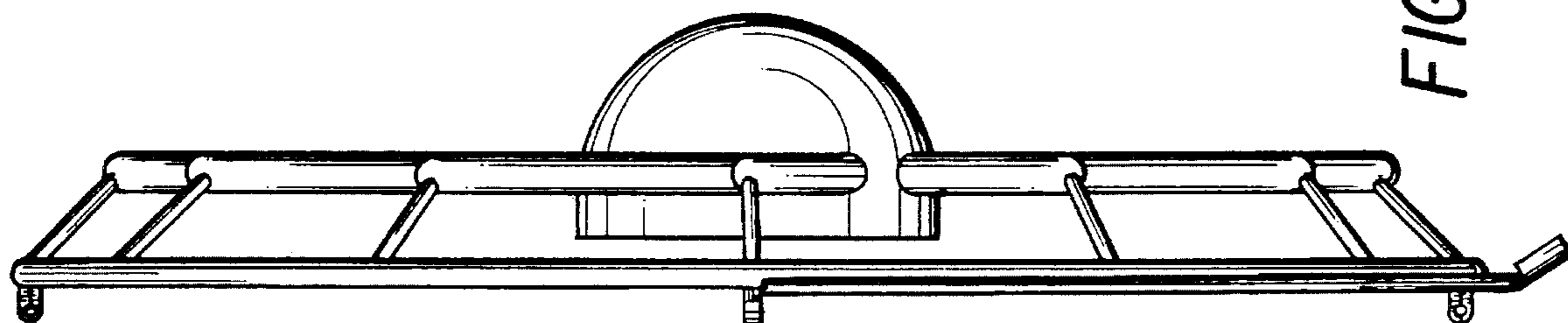


FIG. 4

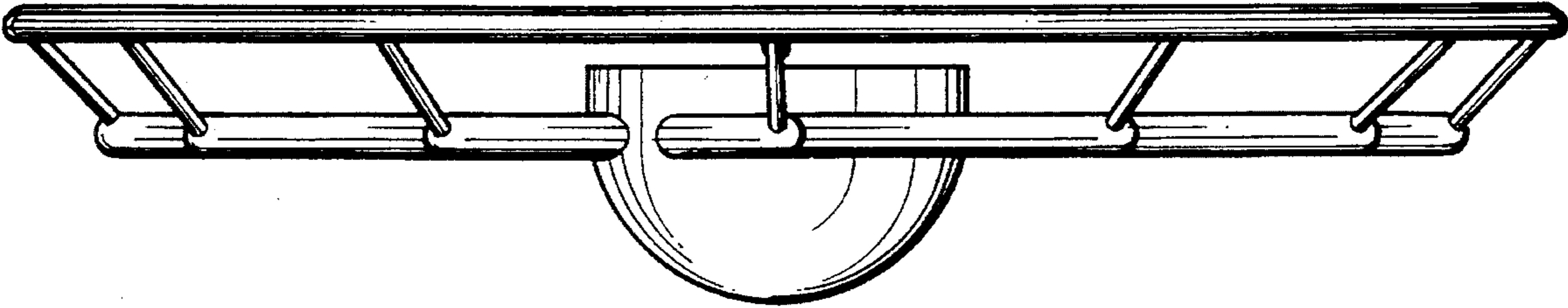


FIG. 6

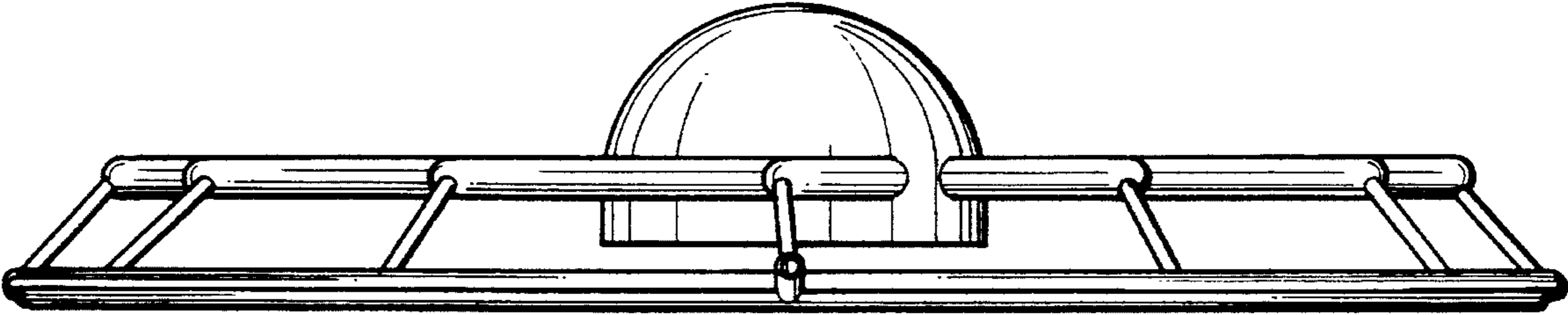


FIG. 7