



US00D364446S

United States Patent [19]

Farley

[11] Patent Number: **Des. 364,446**

[45] Date of Patent: ****Nov. 21, 1995**

[54] **SHOWER FILTER HOUSING**

5,008,011 4/1991 Underwood 4/615

[76] Inventor: **Frederick A. Farley**, c/o Sprite Industries, 2512-A E. Fender Ave., Fullerton, Calif. 92631

Primary Examiner—Joel Sincavage
Assistant Examiner—Robin V. Taylor
Attorney, Agent, or Firm—James G. O'Neill

[**] Term: **14 Years**

[57] CLAIM

[21] Appl. No.: **10,063**

The ornamental design for a shower filter housing, as shown and described.

[22] Filed: **Jun. 29, 1993**

DESCRIPTION

Related U.S. Application Data

[63] Continuation-in-part of Ser. No. 796,433, Nov. 21, 1991, Pat. No. 5,300,224.

[52] **U.S. Cl.** **D23/209**

[58] **Field of Search** D23/200, 209;
210/448-449, 460, 198.1, 282, 130, 348,
266; 239/575; 4/615

FIG. 1 is a perspective view of my new shower filter housing design;

FIG. 2 is a front elevational view of my new design as shown in FIG. 1, with the opposite or rear view, being the mirror image thereof;

FIG. 3 is a top view of my new design as shown in FIG. 1; FIG. 4 is a bottom view of my new design as shown in FIG. 1;

FIG. 5 is a perspective view of my new shower filter housing design, as shown in FIG. 1, with the centrally located indented or label carrying portion thereof removed; and,

FIG. 6 is a further perspective view of my new shower filter housing design, as shown in FIG. 5, with the top surface thereof being identical with the bottom surface.

[56] References Cited

U.S. PATENT DOCUMENTS

40,620	11/1863	Halsted	210/449
D. 313,266	12/1990	Geneve et al.	D23/209
494,837	4/1893	Bellamy	210/449
2,582,388	1/1952	Mansfield	210/266
3,760,951	9/1973	Mansfield	210/449

1 Claim, 2 Drawing Sheets

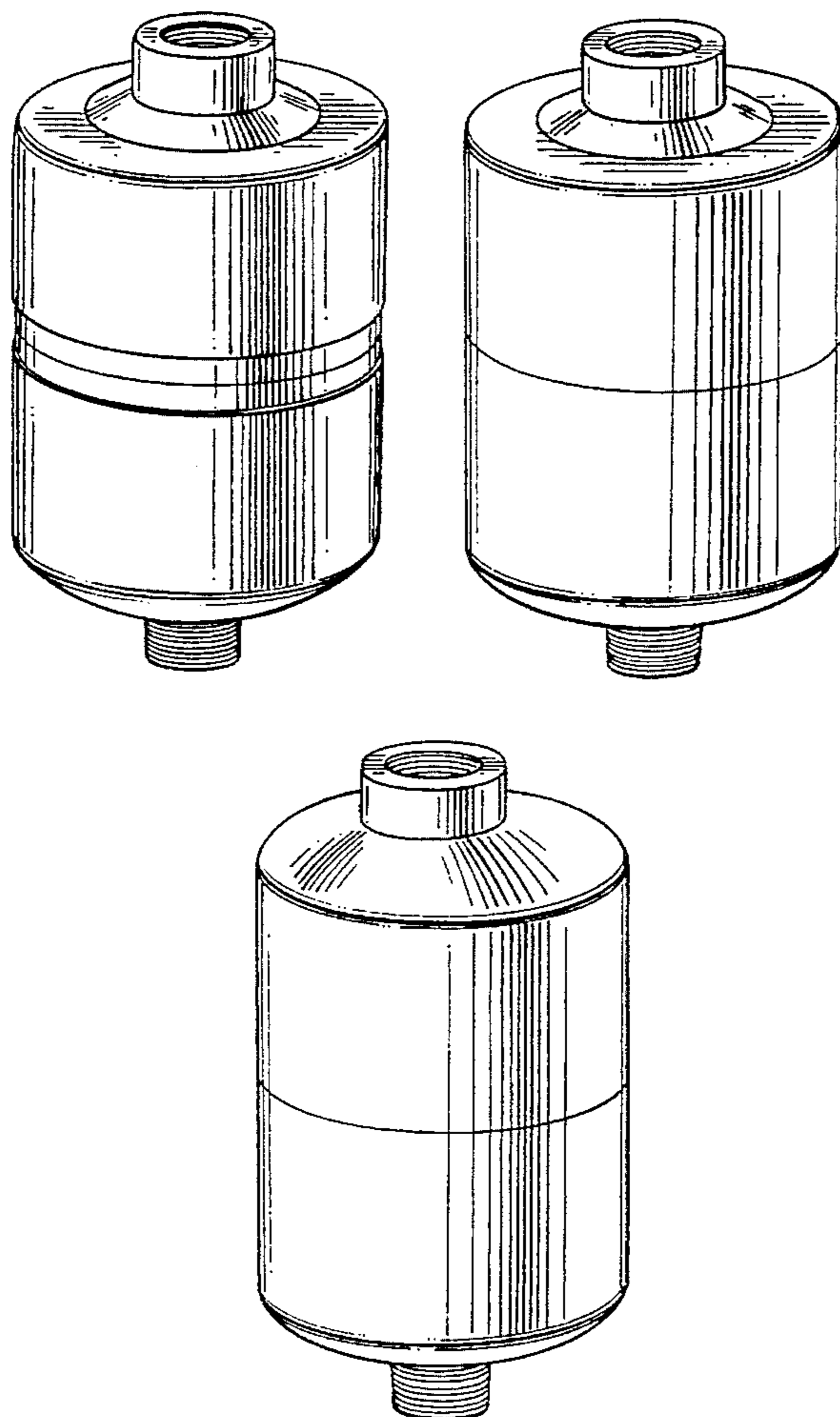


FIG. 1

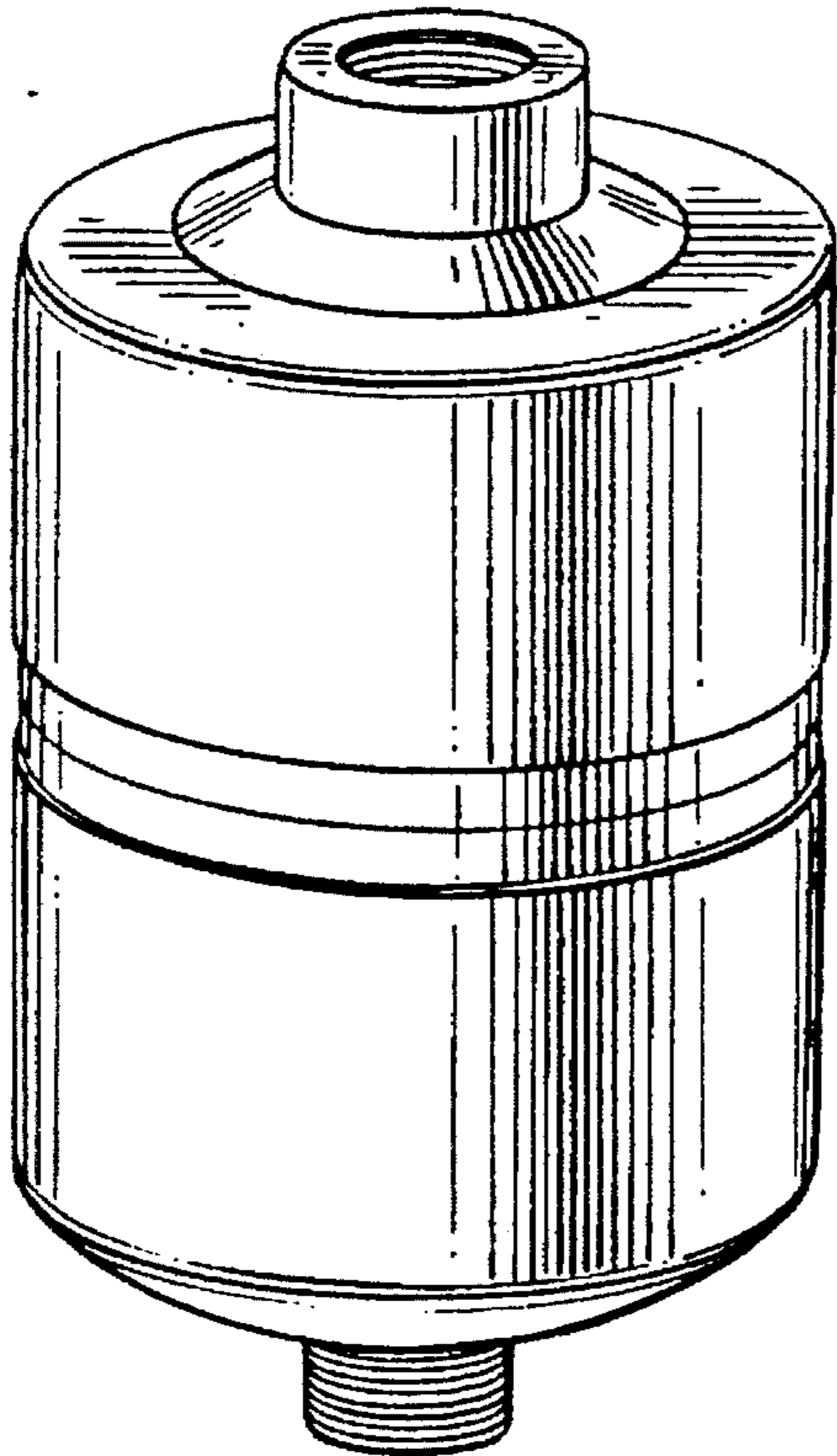


FIG. 2

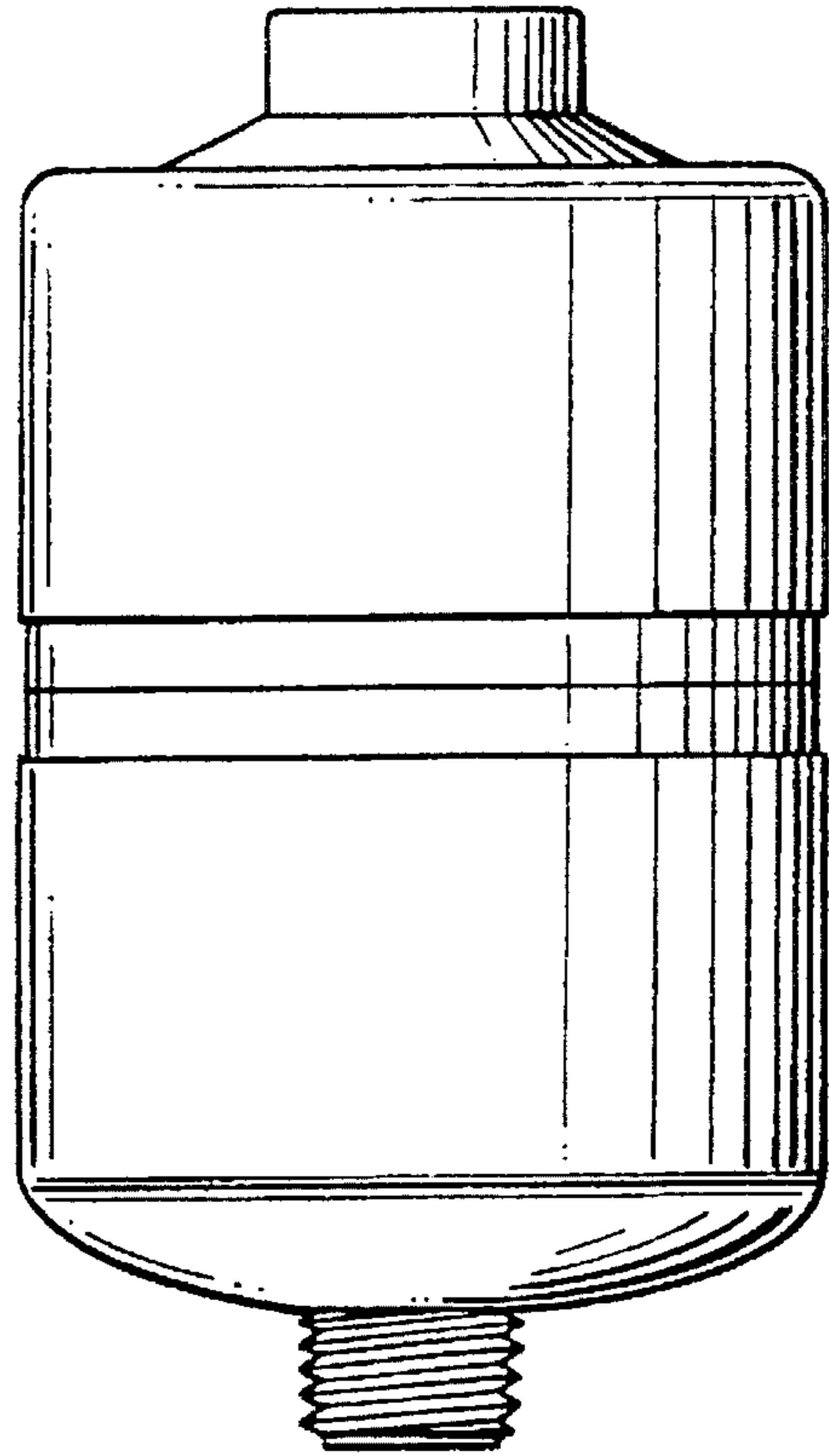


FIG. 3

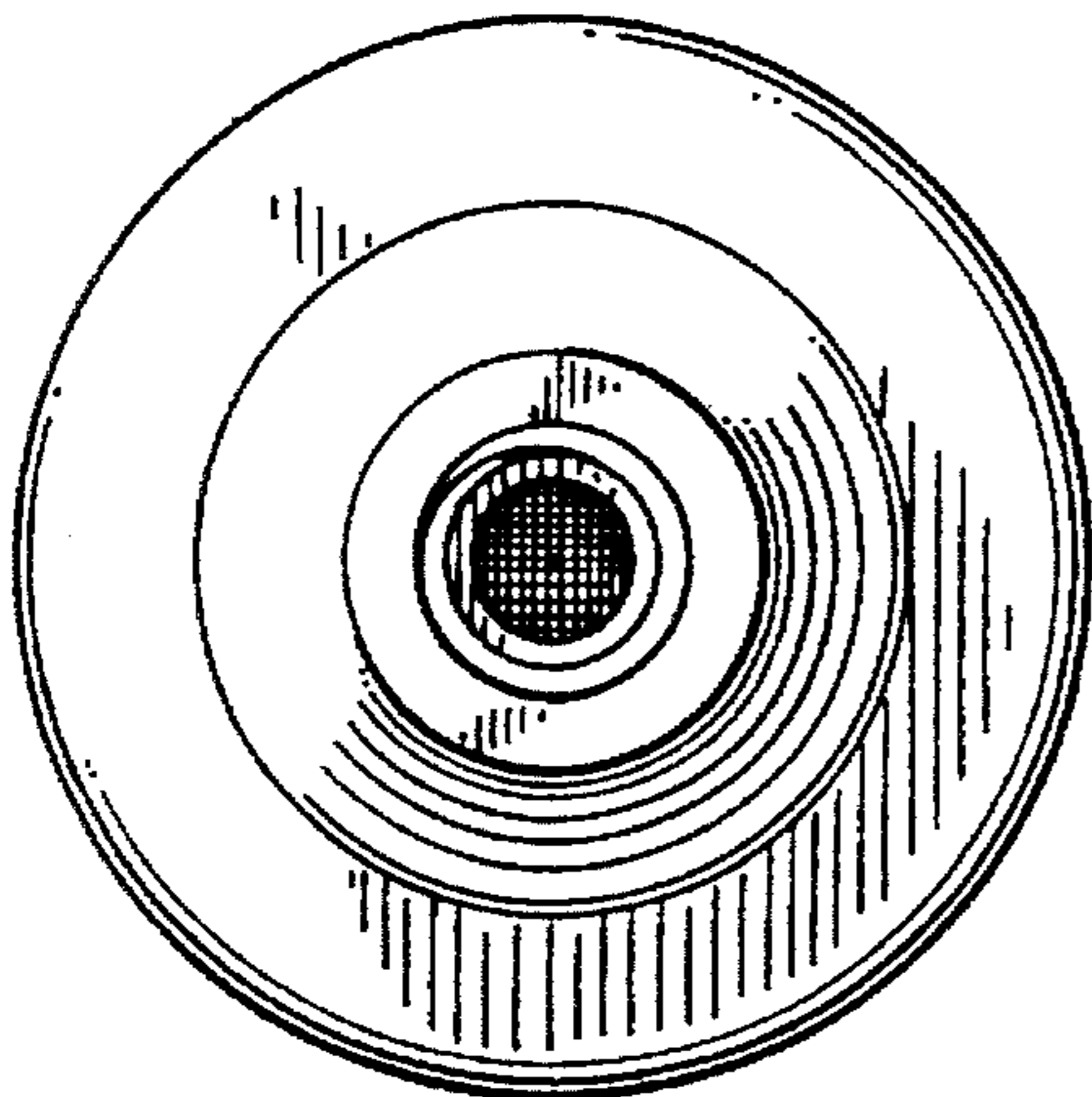


FIG. 4

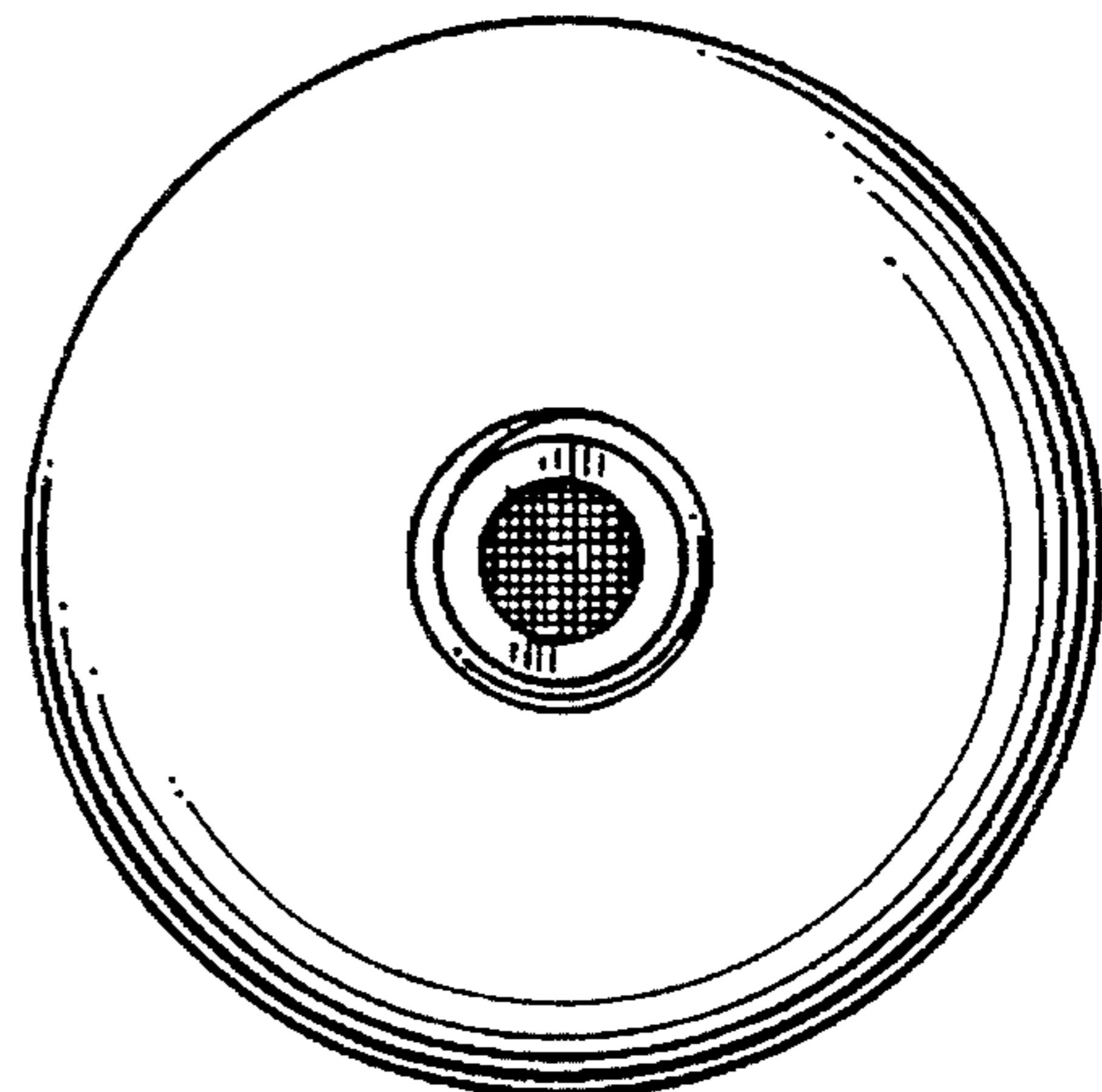


FIG. 5

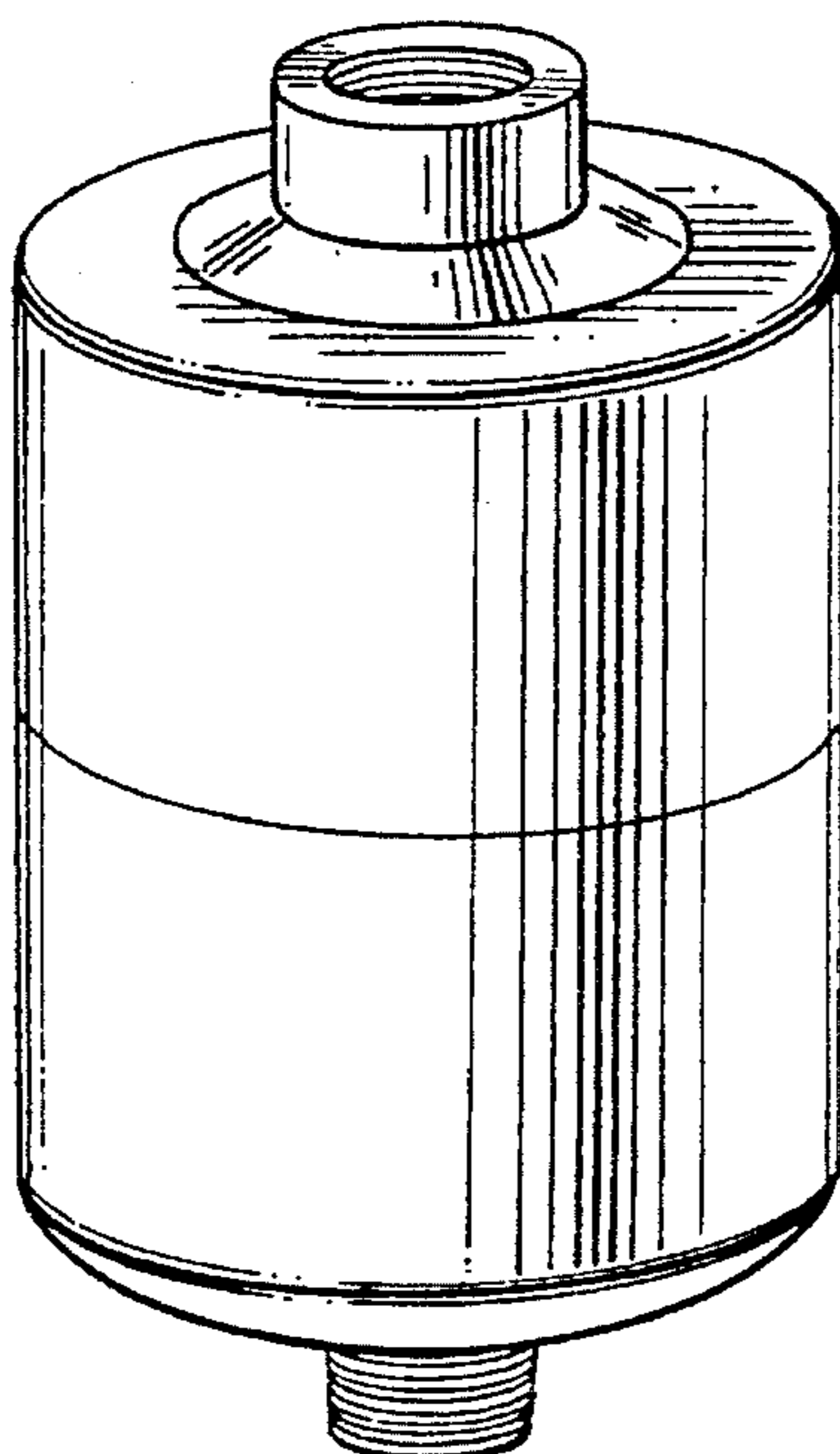


FIG. 6

