



US00D364444S

United States Patent [19]
DeCosta

[11] **Patent Number: Des. 364,444**

[45] **Date of Patent: **Nov. 21, 1995**

[54] **FISHING LURE**

4,920,687 5/1990 Barnett 43/42.74
5,113,614 5/1992 Morita 43/42.74

[76] Inventor: **Stephen DeCosta**, 626 Grinnell St.,
Fall River, Mass. 02721

Primary Examiner—Doris V. Coles
Attorney, Agent, or Firm—Robert J. Doherty

[**] Term: **14 Years**

[57] **CLAIM**

[21] Appl. No.: **21,108**

The ornamental design for a fishing lure, as shown and described.

[22] Filed: **Apr. 8, 1994**

[52] U.S. Cl. **D22/129**

DESCRIPTION

[58] **Field of Search** D22/126, 128,
D22/129, 134; 43/42.74, 42.7, 43.15, 43.1,
44.1, 44.84

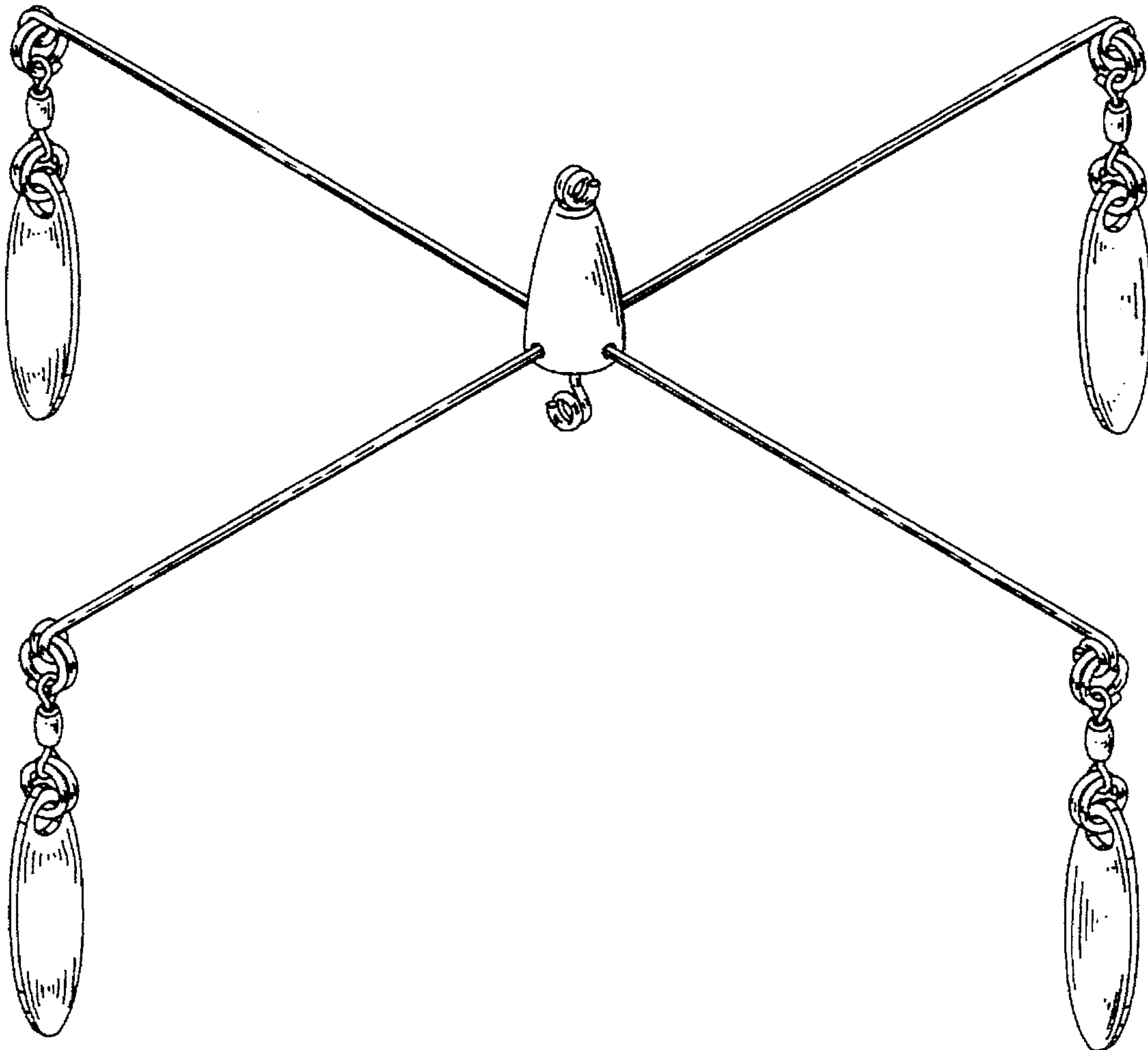
FIG. 1 is a front perspective view showing my new design for a fishing lure;
FIG. 2 is a top plan view thereof;
FIG. 3 is a bottom plan view thereof;
FIG. 4 is a front elevational view thereof; the left, right and rear elevational views being identical thereto;
FIG. 5 is a front perspective view of a modified form of a fishing lure from that shown in FIG. 1;
FIG. 6 is a top plan view of FIG. 5;
FIG. 7 is a bottom plan view of FIG. 5; and,
FIG. 8 is a front elevational view of FIG. 5, the left, right and rear elevational views of FIG. 5 being identical thereto.

[56] **References Cited**

U.S. PATENT DOCUMENTS

1,227,325	5/1917	Schilling	43/42.74
2,184,073	12/1939	Fuiks	43/42.7
2,814,901	12/1957	Suiter	43/42.74
2,848,835	8/1958	Witt	43/43.15 X
2,961,793	11/1960	Buchanan	43/42.74
3,118,245	1/1964	Shriver	43/43.15
3,646,700	3/1972	Pond	43/42.74
4,893,432	1/1990	Rosengrant	43/42.74

1 Claim, 4 Drawing Sheets



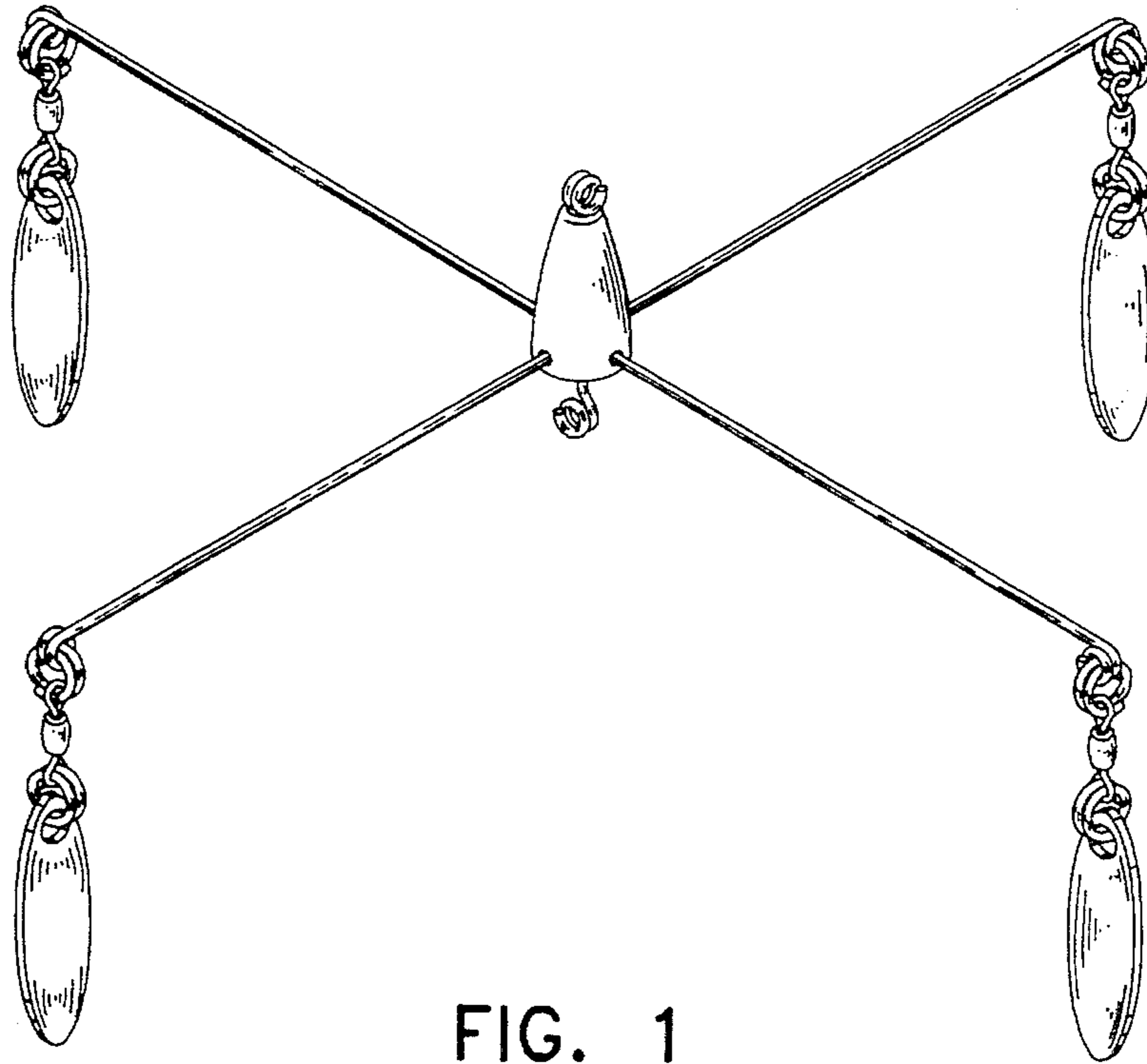


FIG. 1

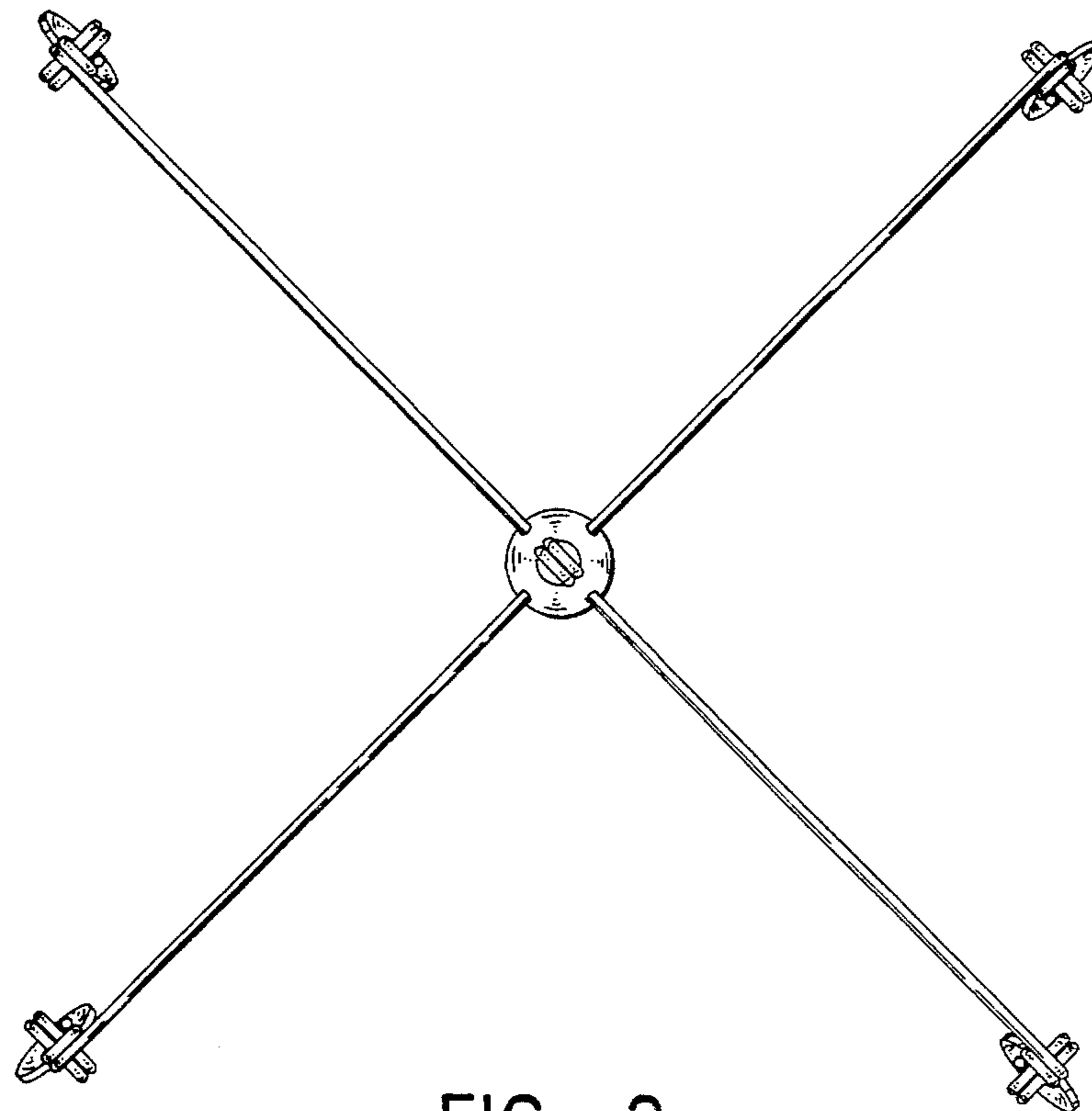


FIG. 2

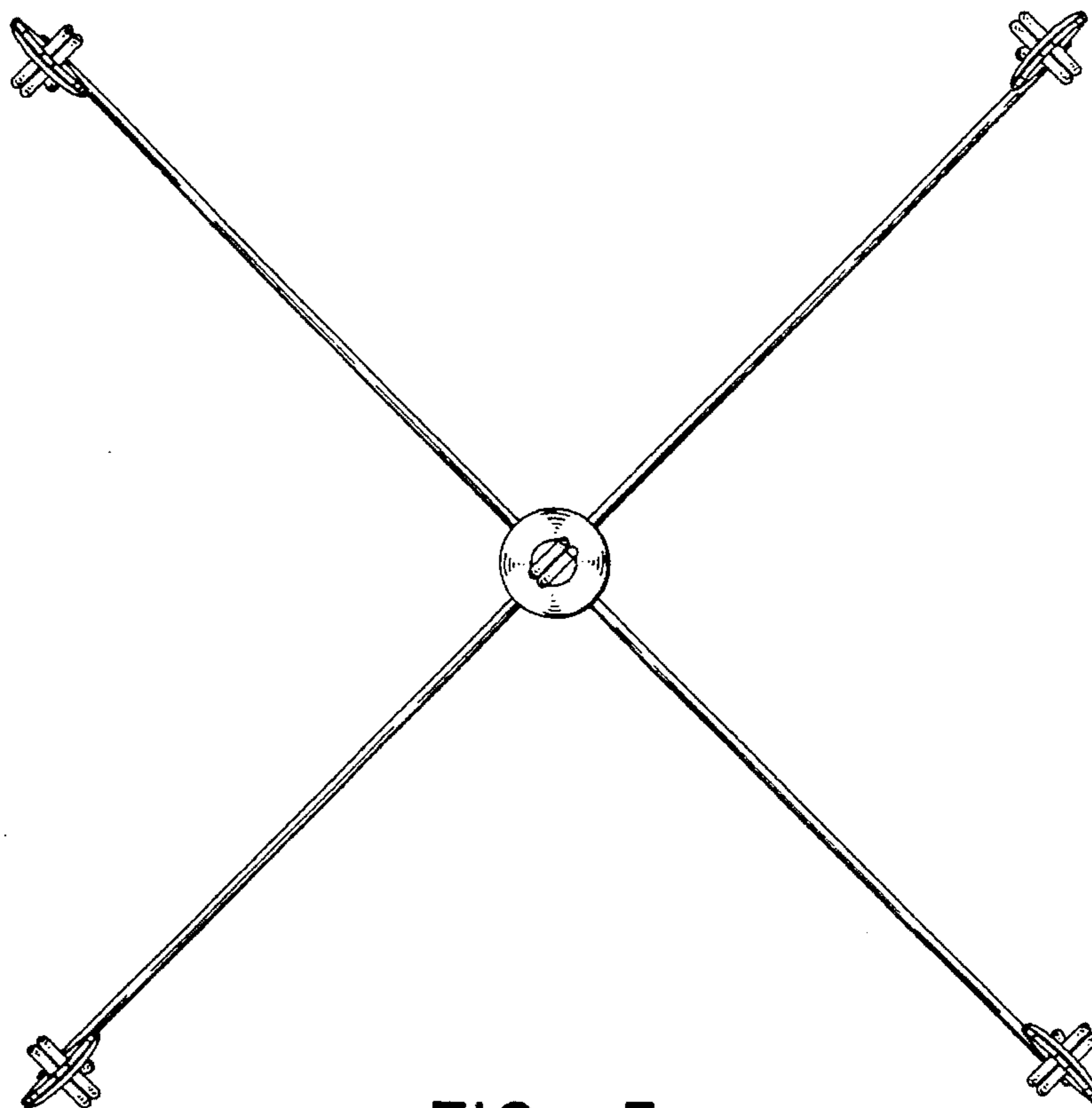


FIG. 3

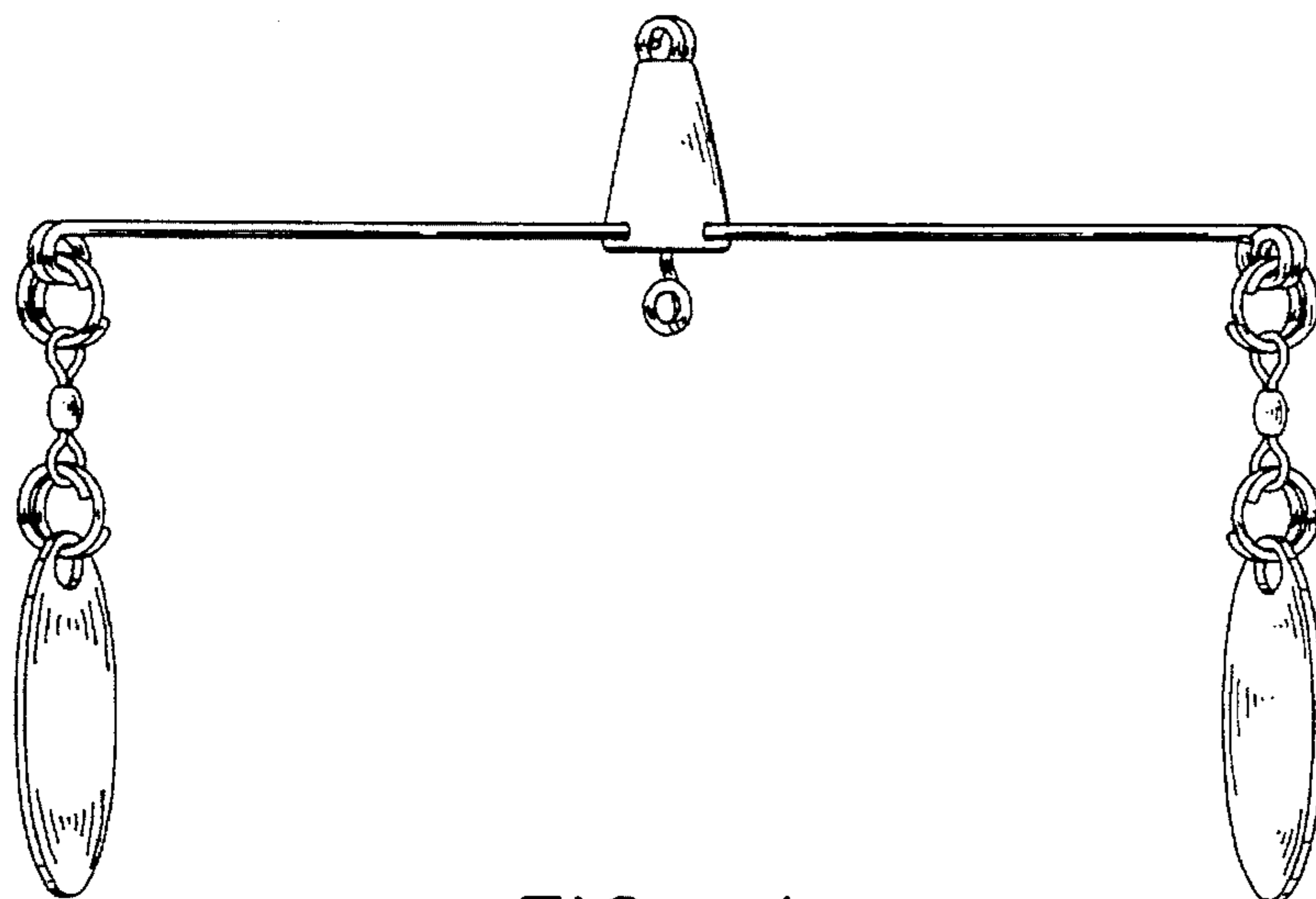


FIG. 4

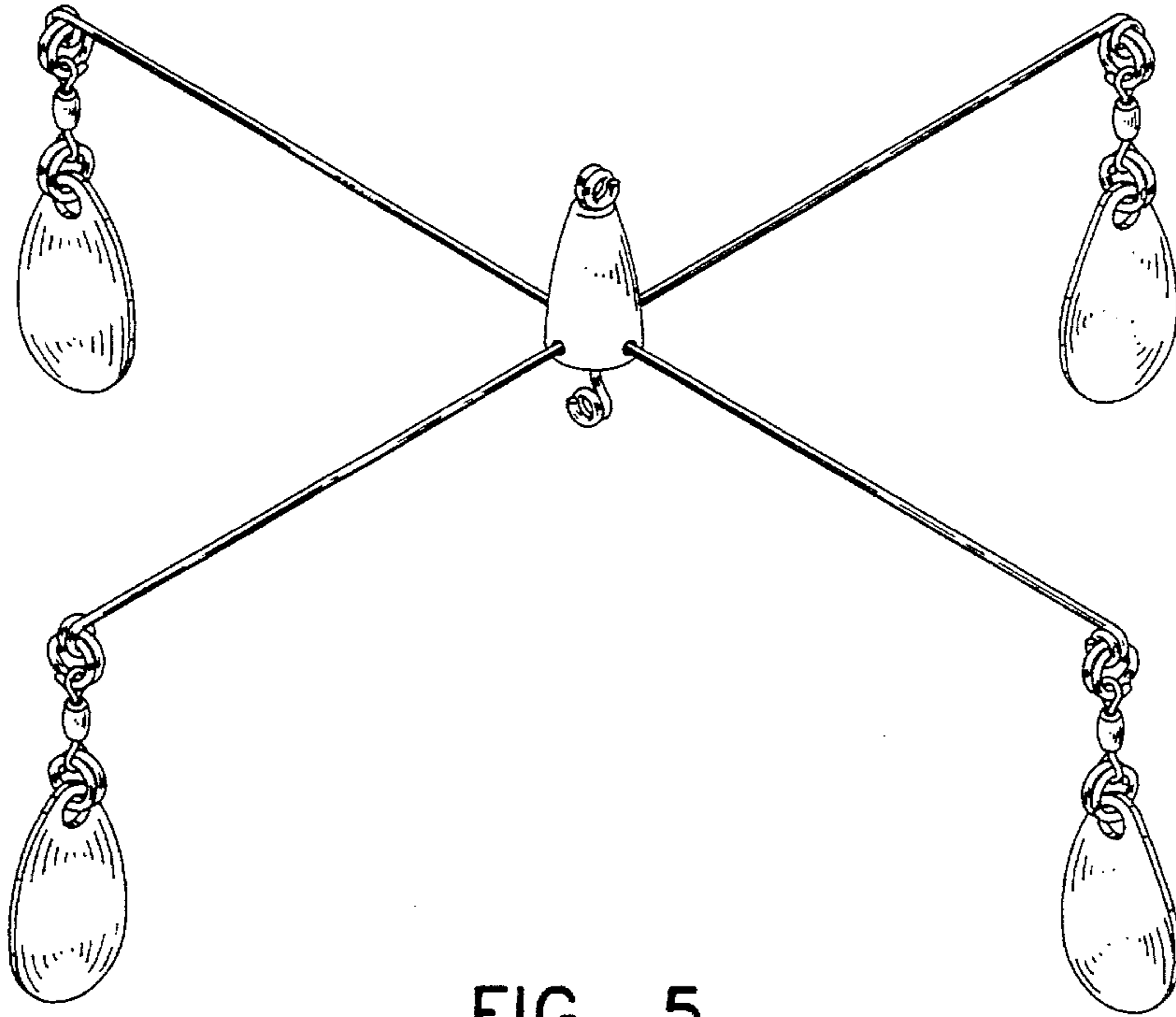


FIG. 5

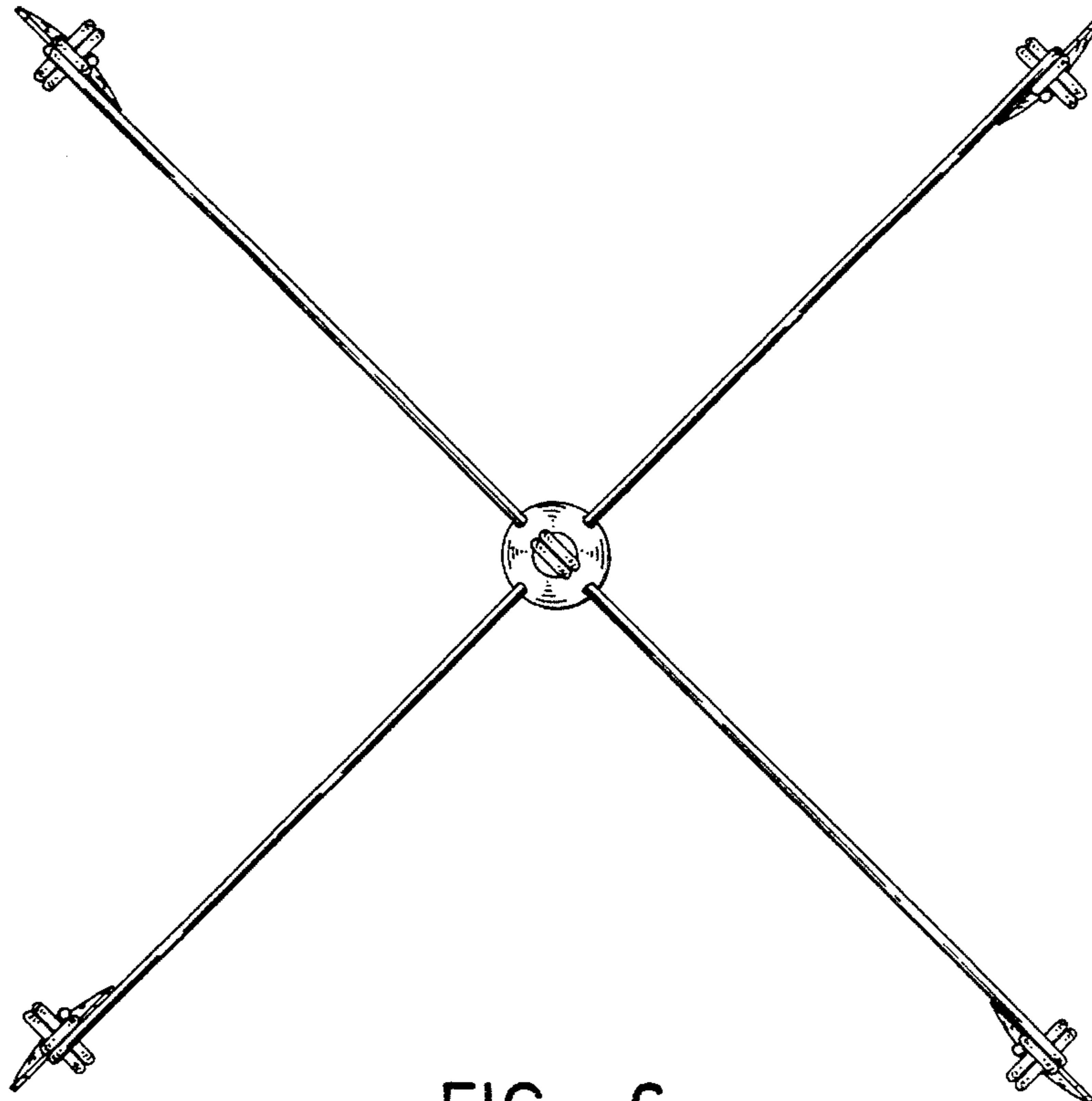


FIG. 6

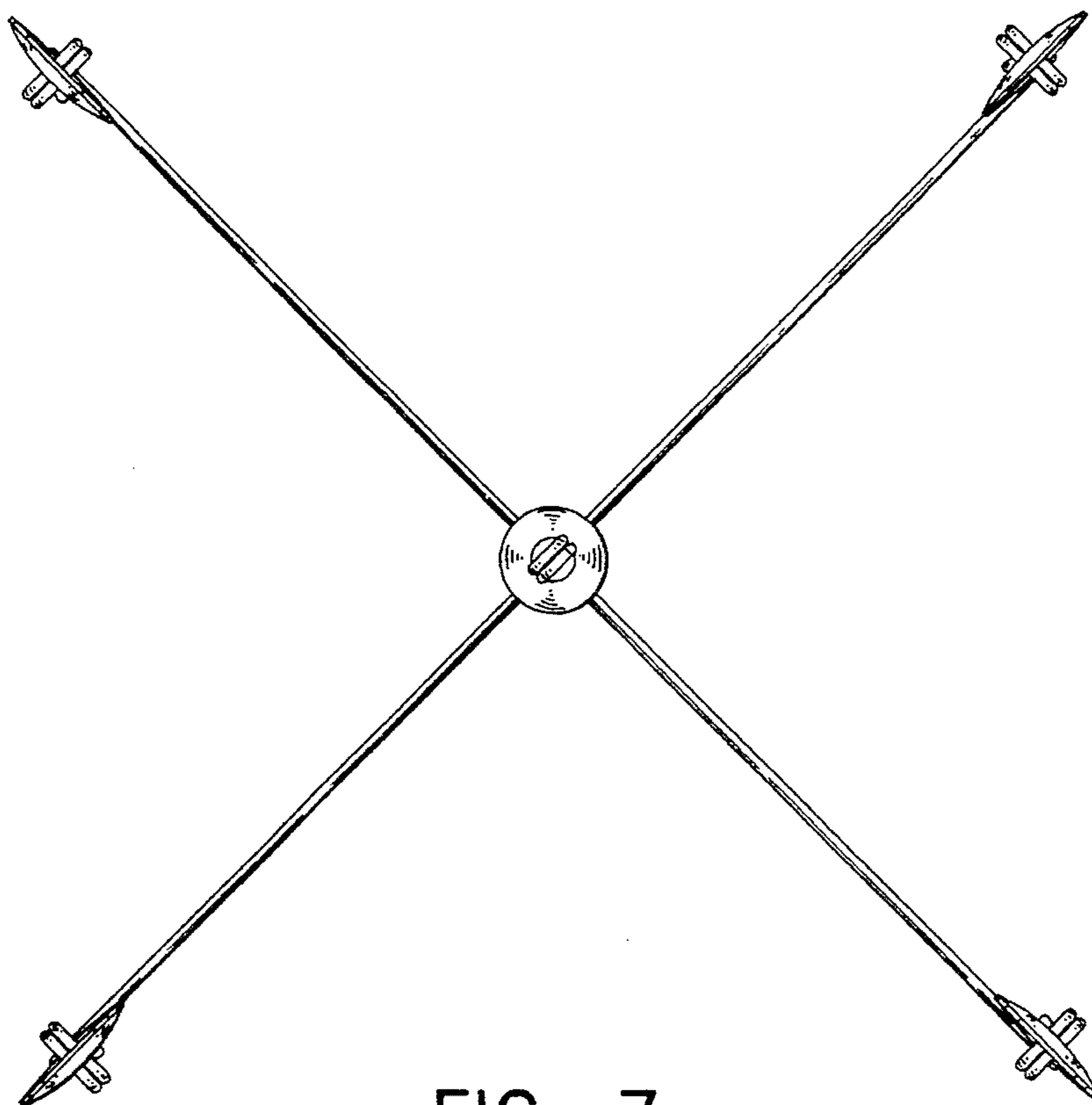


FIG. 7

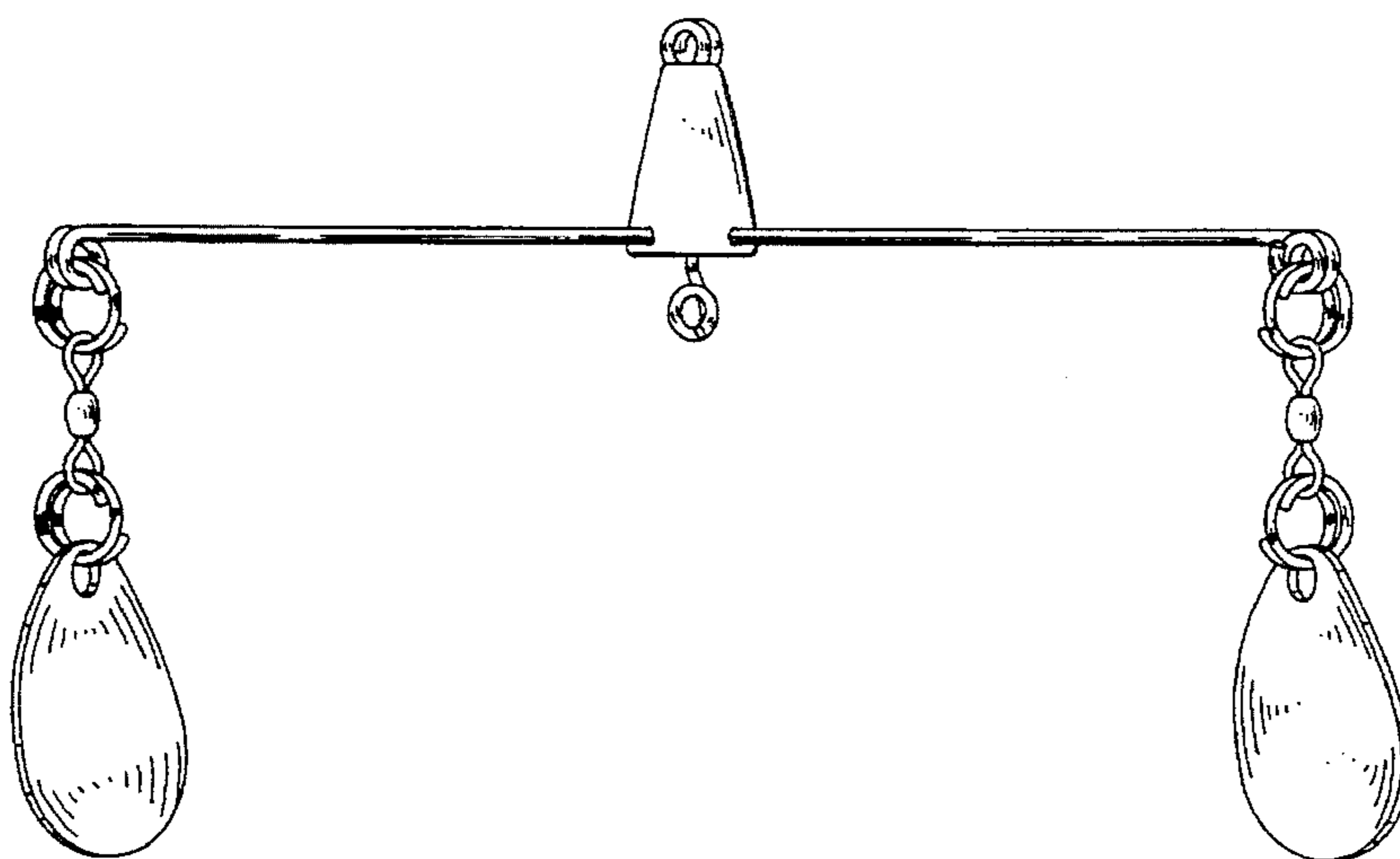


FIG. 8