



US00D364443S

United States Patent [19]
Rasmusson

[11] **Patent Number: Des. 364,443**
[45] **Date of Patent: **Nov. 21, 1995**

[54] **FISHING RATTLER**
[75] Inventor: **Larry A. Rasmusson**, Andover, Minn.
[73] Assignee: **Oxboro Medical International, Inc.**,
Ham Lake, Minn.
[**] Term: **14 Years**
[21] Appl. No.: **9,095**
[22] Filed: **Jun. 3, 1993**
[52] U.S. Cl. **D22/126**
[58] **Field of Search** D22/126, 127,
D22/145, 146; 43/43.1, 42.06, 42.7, 42.31,
42.28, 42.35, 42.45, 42.74, 42.48, 42.33,
42.34, 42.31, 44.87, 44.81, 43.11, 43.12,
43.13, 44.9

3,068,605 12/1962 Munsinger 43/42.74
4,199,888 4/1980 Barnes 43/42.45 X
4,870,776 10/1989 Schock D22/126 X
5,044,110 9/1991 Henderson et al. 43/42.35 X

Primary Examiner—Doris V. Coles
Attorney, Agent, or Firm—Merchant, Gould, Smith, Edell,
Welter & Schmidt

[57] **CLAIM**

The ornamental design for a fishing rattler, as shown and described.

DESCRIPTION

FIG. 1 is a perspective view of a fishing rattler showing my new design;
FIG. 2 is a front elevational view thereof, the rear elevational view being a mirror image thereof;
FIG. 3 is a right side elevational view thereof, the left side being a mirror image thereof;
FIG. 4 is a top plan view thereof;
FIG. 5 is a bottom plan view thereof; and,
FIG. 6 is a bottom plan view taken along line 6—6 of FIG. 4.

[56] **References Cited**

U.S. PATENT DOCUMENTS

D. 252,818 9/1979 Cope D22/126
D. 286,317 10/1986 Orlick et al. D22/127
2,600,002 6/1952 Klein 43/43.14
3,047,975 8/1962 Pretorius 43/44.2 X

1 Claim, 2 Drawing Sheets

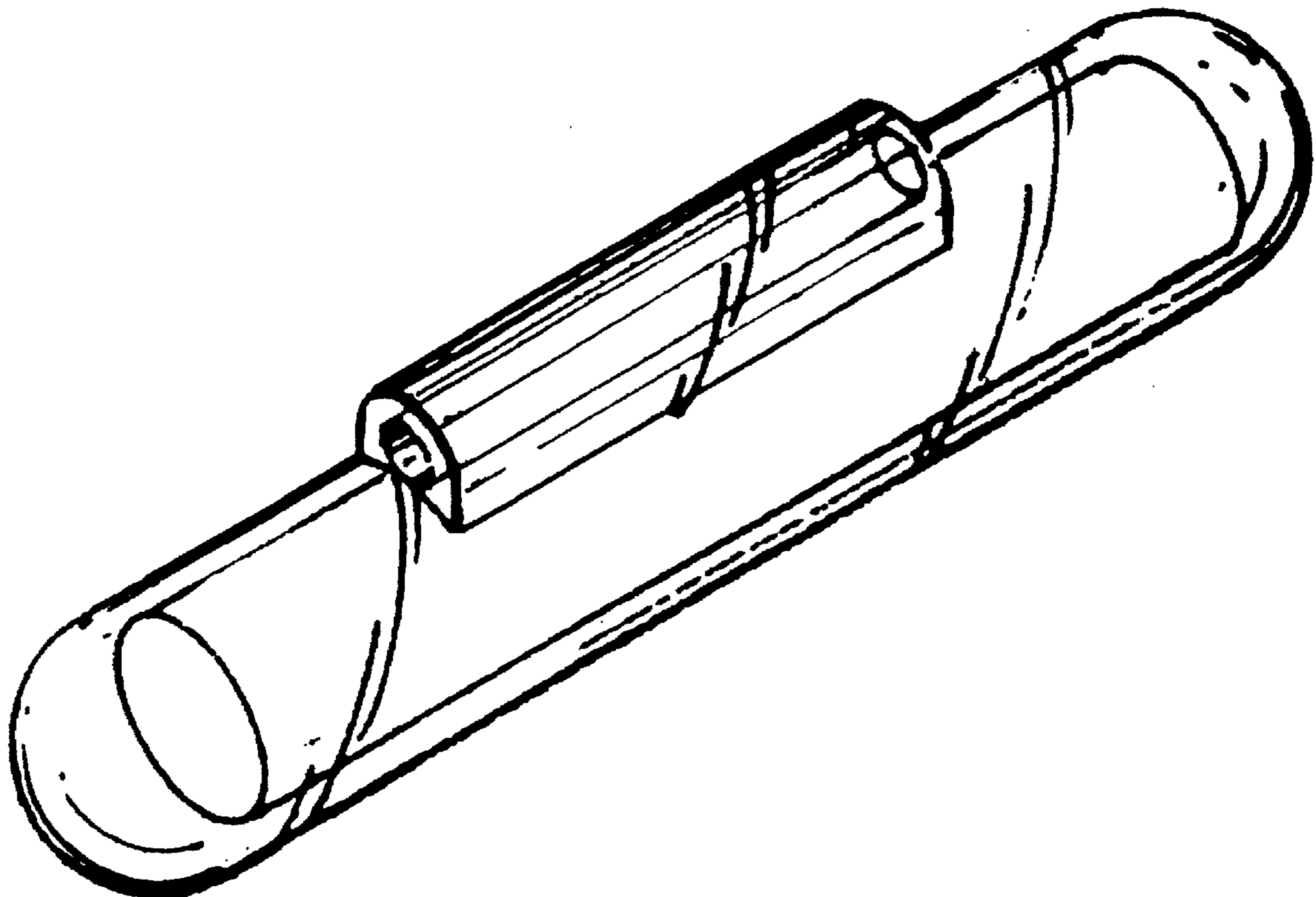


FIG. 1

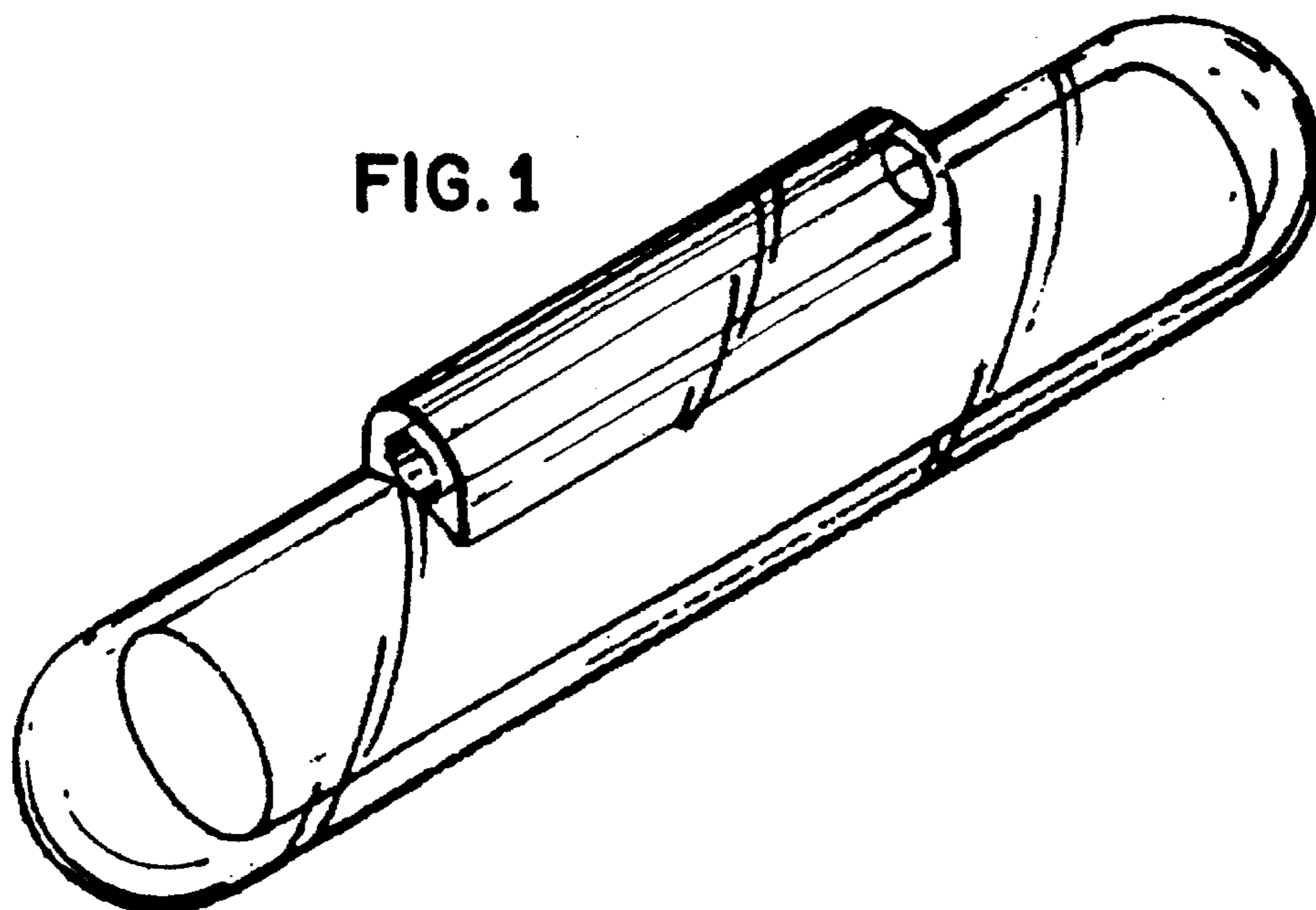


FIG. 2

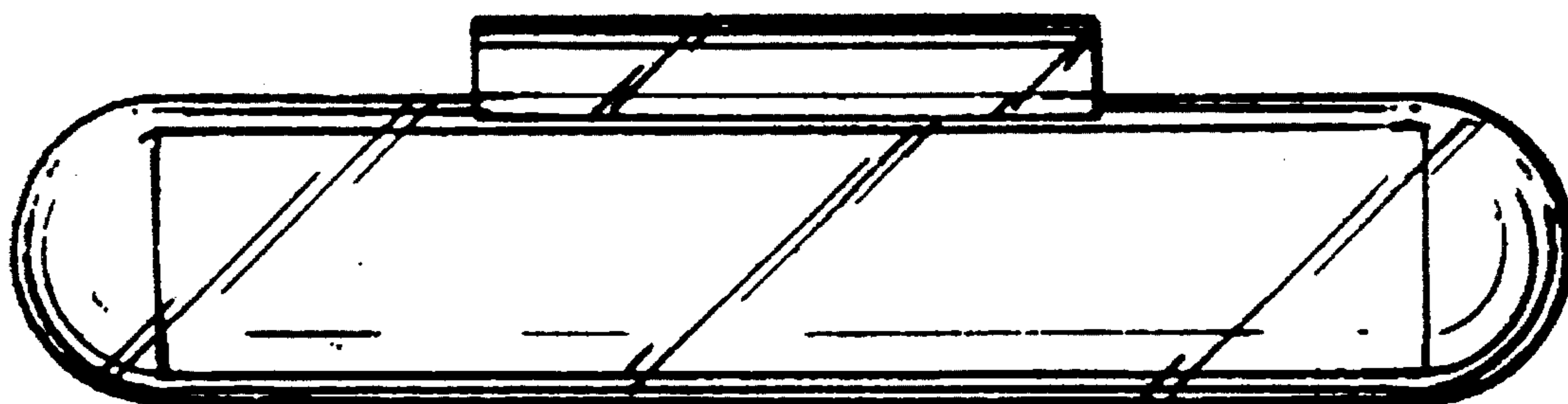


FIG. 6

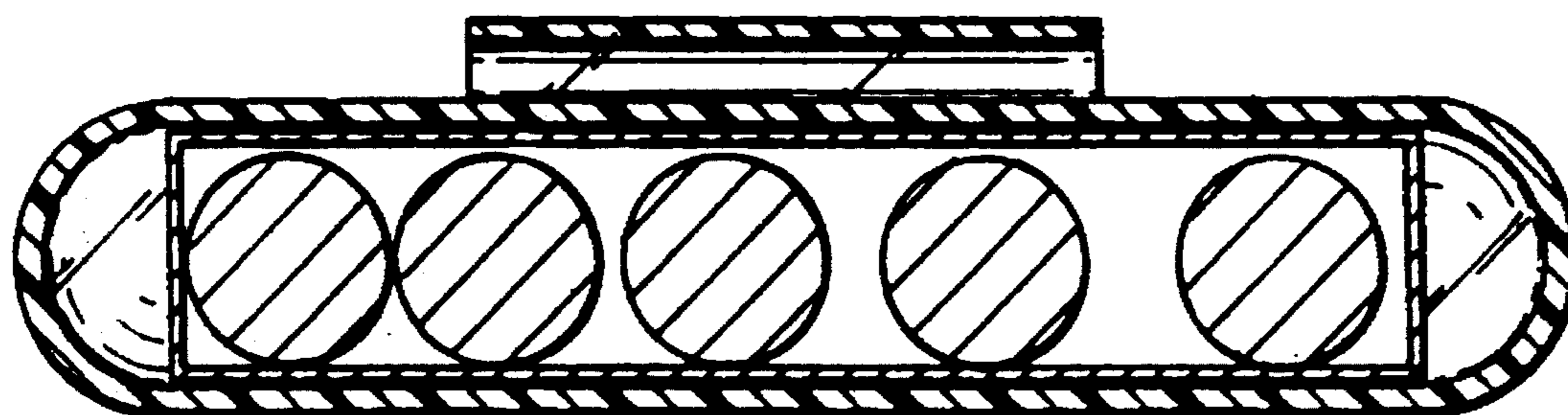


FIG. 3

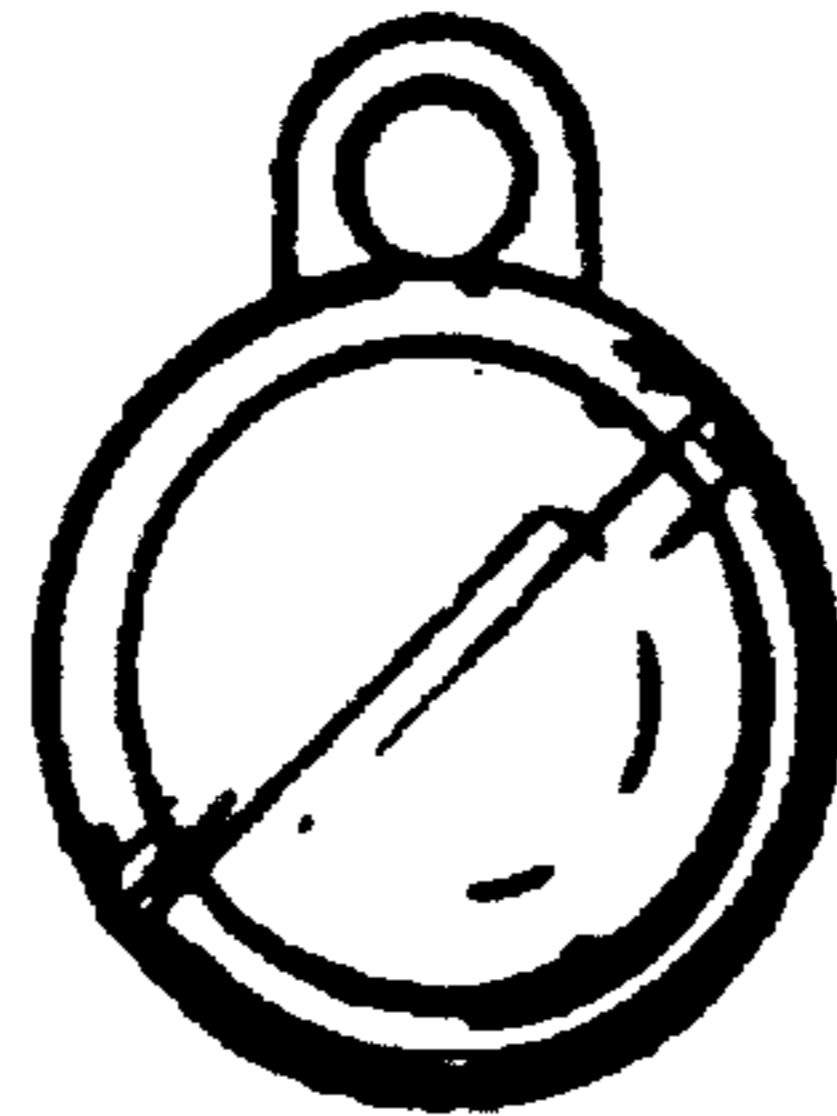


FIG. 4



FIG. 5

