



US00D364440S

United States Patent [19]

Balestrieri

[11] Patent Number: **Des. 364,440**

[45] Date of Patent: ****Nov. 21, 1995**

[54] **GOLD PUTTING AID**

5,362,060 11/1994 Hinson 273/188 A X

[75] Inventor: **Harry Balestrieri**, Plantation, Fla.

Primary Examiner—Ted Shooman

Assistant Examiner—Cheri Cohen

[73] Assignee: **M. R. Carretta Co., Inc.**, Allamuchy, N.J.

Attorney, Agent, or Firm—Lerner, David, Littenberg, Krumholz & Mentlik

[**] Term: **14 Years**

[57] **CLAIM**

[21] Appl. No.: **33,218**

The ornamental design for a golf putting aid, as shown and described.

[22] Filed: **Dec. 23, 1994**

[52] U.S. Cl. **D21/234**

[58] Field of Search D21/234; 273/186.1, 273/35 R, 187 R, 187 A, 187 B, 188 A, 188 R, 191 A, 191 R, 187.1, 187.6

DESCRIPTION

FIG. 1 is a perspective view of a golf putting aid showing my new design;

FIG. 2 is a right side elevation view thereof, the opposite side being a mirror image;

FIG. 3 is a front elevation view thereof, the opposite side being identical;

FIG. 4 is a top plan view thereof; and,

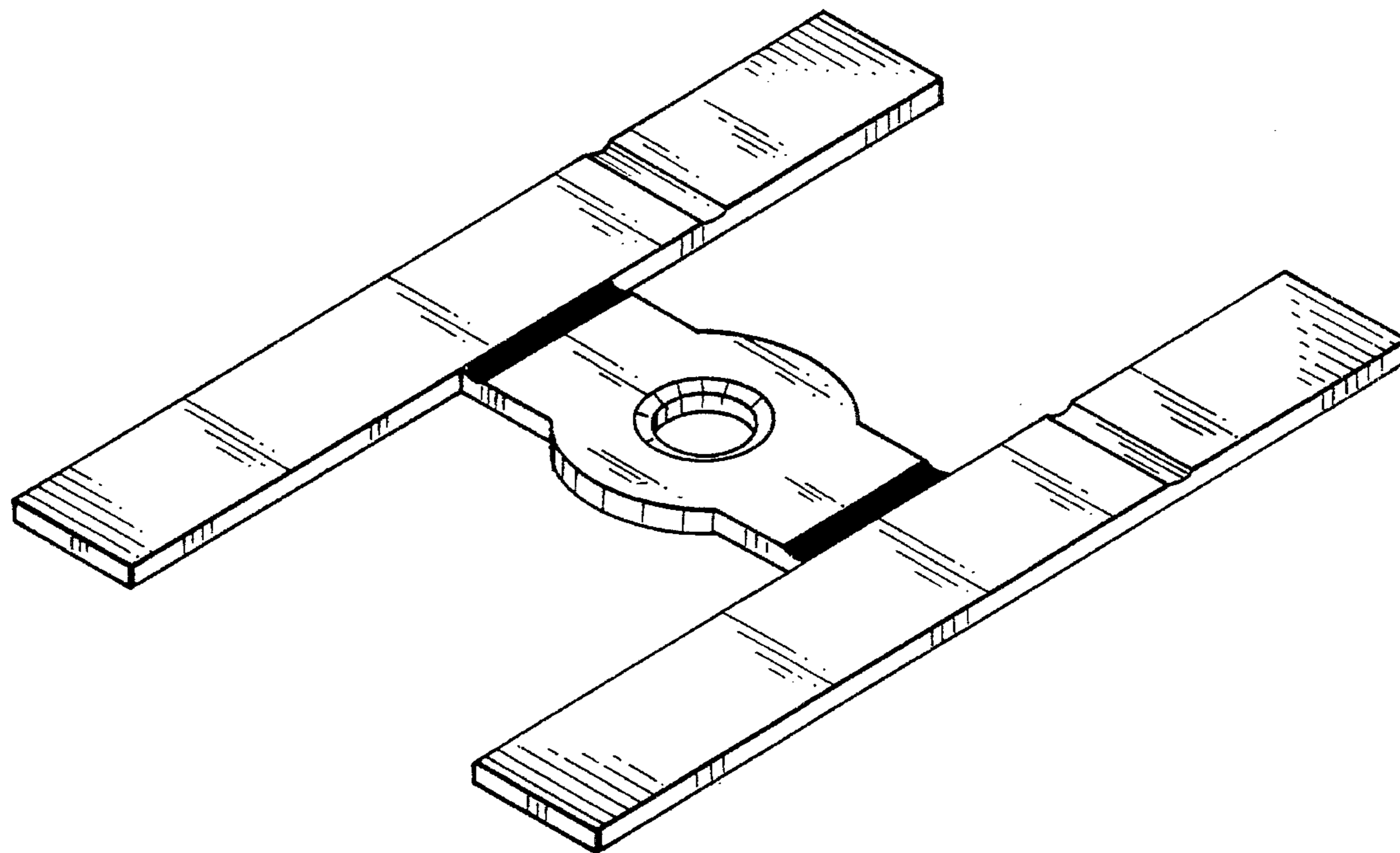
FIG. 5 is a bottom plan view thereof.

[56] References Cited

U.S. PATENT DOCUMENTS

D. 346,842	5/1994	O'Neil	D21/234
3,580,584	5/1971	Trosko	273/195 R X
4,563,010	1/1986	McDorman et al.	273/187.6 X
5,322,288	6/1994	Amis	273/187 R

1 Claim, 3 Drawing Sheets



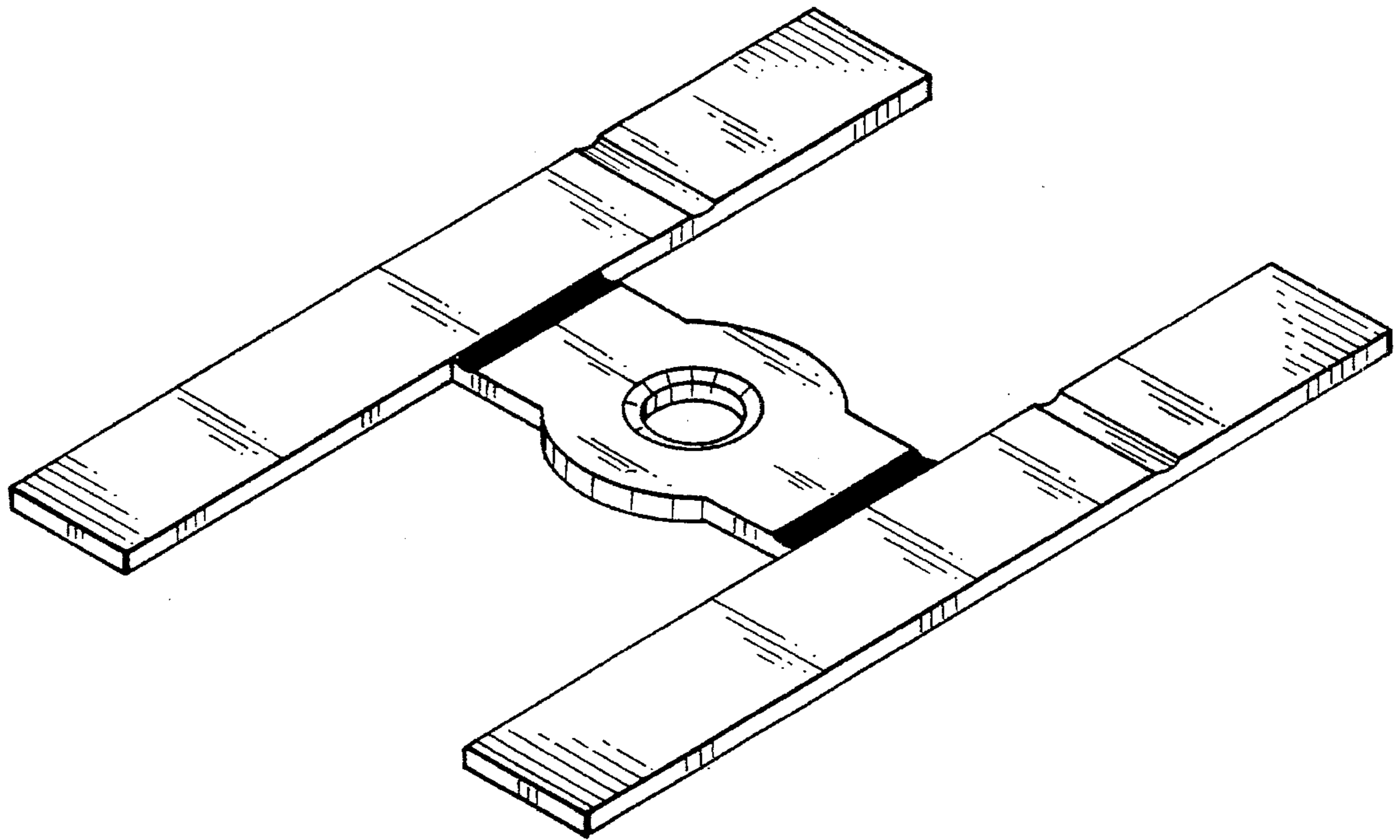


FIG. 1



FIG. 2



FIG. 3

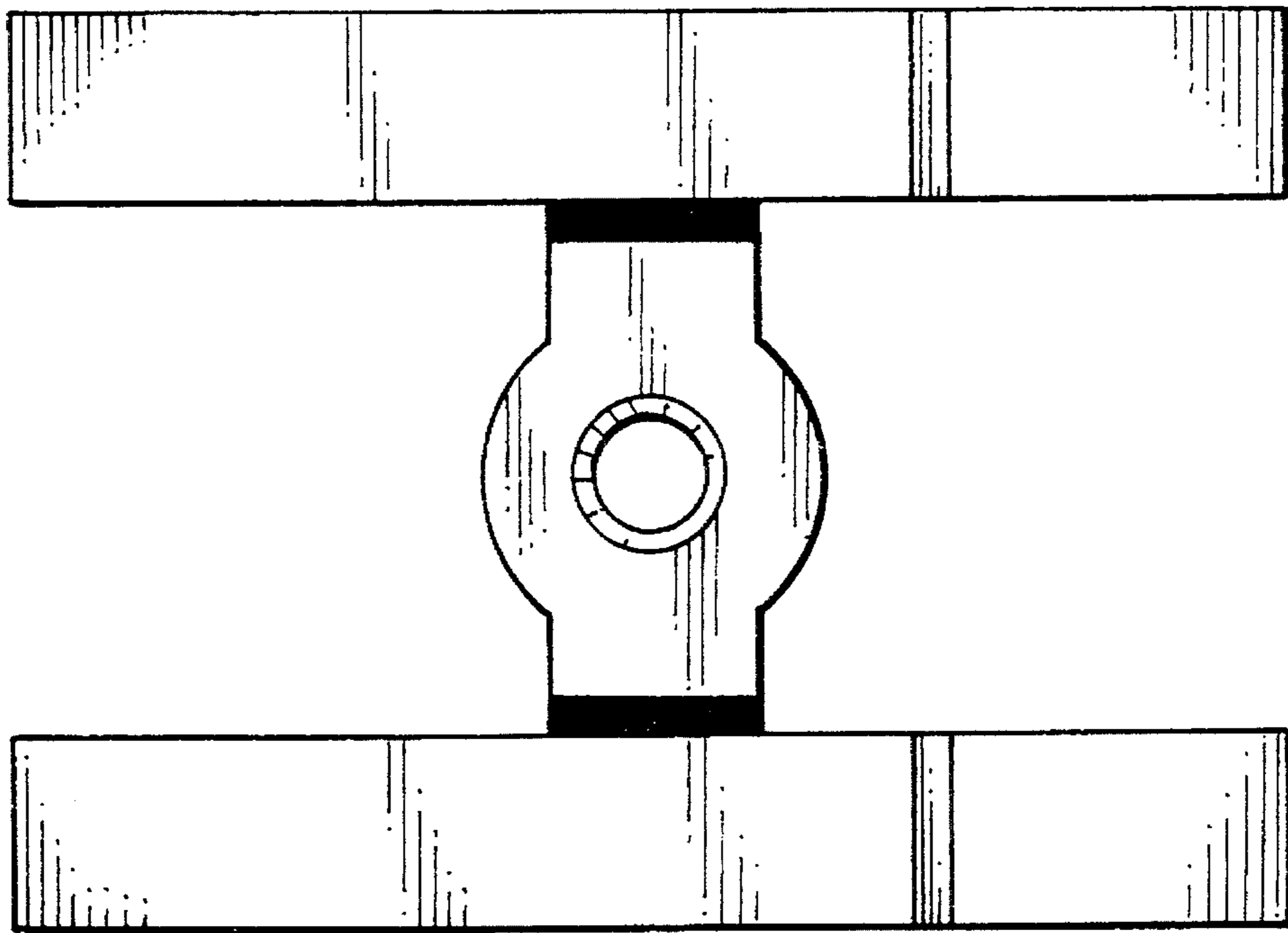


FIG. 4

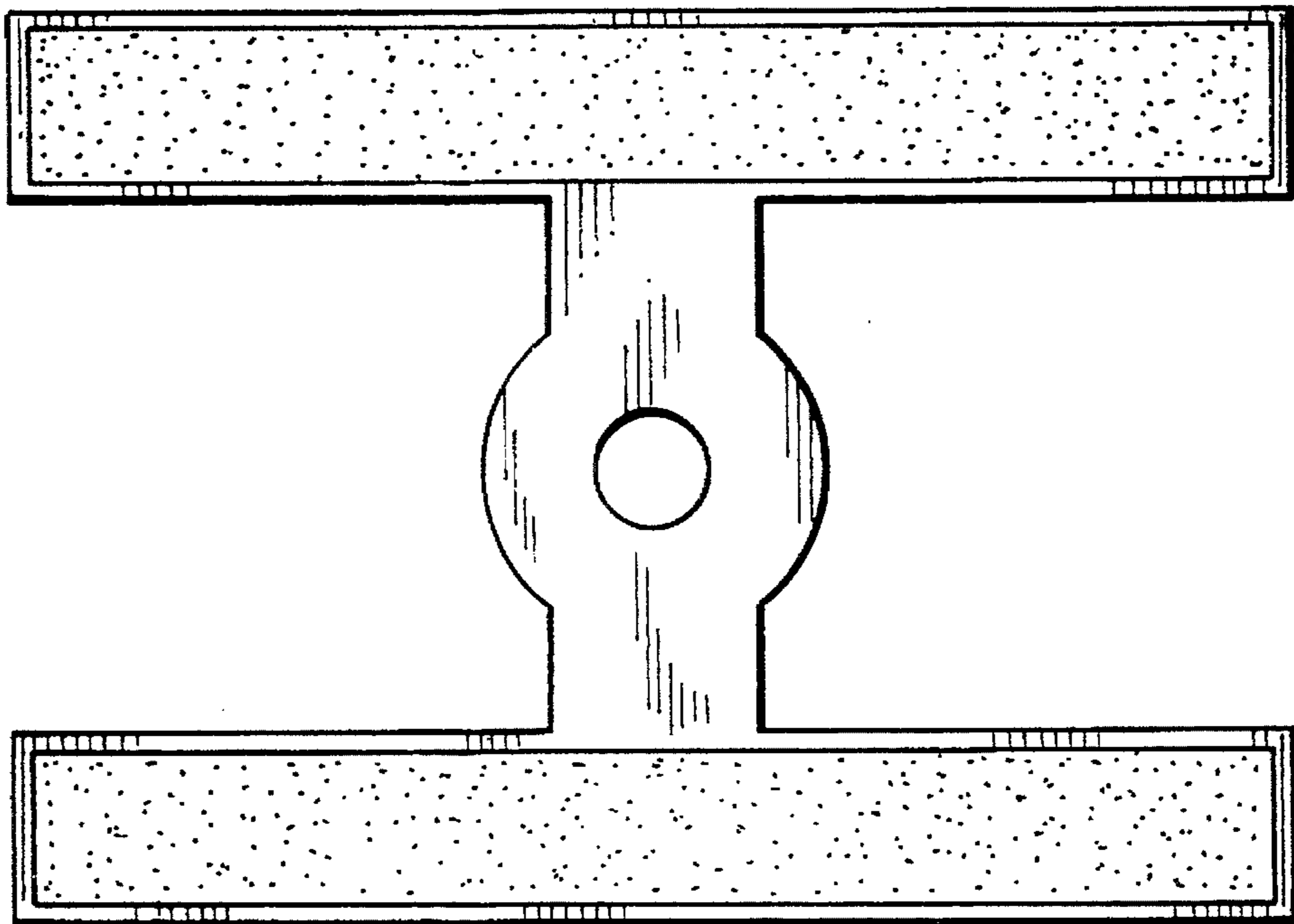


FIG. 5

UNITED STATES PATENT AND TRADEMARK OFFICE
CERTIFICATE OF CORRECTION

PATENT NO. : Des. 364,440
DATED : November 21, 1995
INVENTOR(S) : Harry Balestrieri

It is certified that error appears in the above-identified patent and that said Letters Patent is hereby corrected as shown below:

On the Title page, item [54];

Delete "GOLD" and insert therefor --GOLF--.

Signed and Sealed this
Twentieth Day of February, 1996

Attest:



BRUCE LEHMAN

Attesting Officer

Commissioner of Patents and Trademarks