



US00D364438S

United States Patent [19]

Carlisle et al.

[11] Patent Number: Des. 364,438

[45] Date of Patent: **Nov. 21, 1995

- [54] SIMULATIVE TOY SKATEBOARD
- [76] Inventors: **Dorothy M. Carlisle; Kenneth D. Cason**, both of 7311 Chambers Creek Rd. W, Sunrise Ter. Space 1, Tacoma, Wash. 98467
- [**] Term: **14 Years**
- [21] Appl. No.: **13,814**
- [22] Filed: **Oct. 4, 1993**
- [52] U.S. Cl. **D21/227**
- [58] Field of Search D21/71, 74-81, D21/224-228, 168; 280/87.042, 87.041, 87.021, 1.13, 8.28, 87.01; D12/6, 11; 446/431, 29, 451

- 4,505,687 3/1985 Munro D21/168
- 4,781,649 11/1988 Nagano .
- 4,964,837 10/1990 Collier .

OTHER PUBLICATIONS

Playthins, Aug. 1964 Skateboard #1 p. 107.

Primary Examiner—Ted Shooman
Assistant Examiner—R. Barkai

[57] CLAIM

The ornamental design for the simulative toy skateboard, as shown and described.

DESCRIPTION

FIG. 1 is a front elevational view of the simulative toy skateboard showing our new design;
 FIG. 2 is a rear elevational view thereof;
 FIG. 3 is a right side elevational view thereof and the side opposite the side shown is a mirror image;
 FIG. 4 is a top plan view thereof;
 FIG. 5 is a bottom plan view thereof;
 FIG. 6 is a front elevational view of a separate embodiment thereof;
 FIG. 7 is a rear elevational view thereof;
 FIG. 8 is a right side elevational view thereof, the side opposite the side shown is a mirror image;
 FIG. 9 is a top plan view thereof; and,
 FIG. 10 is a bottom plan view thereof.

1 Claim, 3 Drawing Sheets

[56] References Cited

U.S. PATENT DOCUMENTS

D. 213,928	4/1969	Mooneyham	D21/228
D. 222,158	10/1971	Noches	D21/228
D. 226,772	4/1973	Ehrenreich	D21/168
D. 260,157	8/1981	Appel et al.	D21/168
D. 297,852	9/1988	Gullickson	D21/168
2,244,447	6/1941	Dann	280/1.22
3,416,625	12/1968	Narutani	280/1.13
4,160,253	7/1979	Mabuchi et al.	..	
4,171,592	10/1979	Saitoh	.	
4,460,187	7/1984	Shimizu	280/11.2
4,480,401	11/1984	Matsushiro	.	

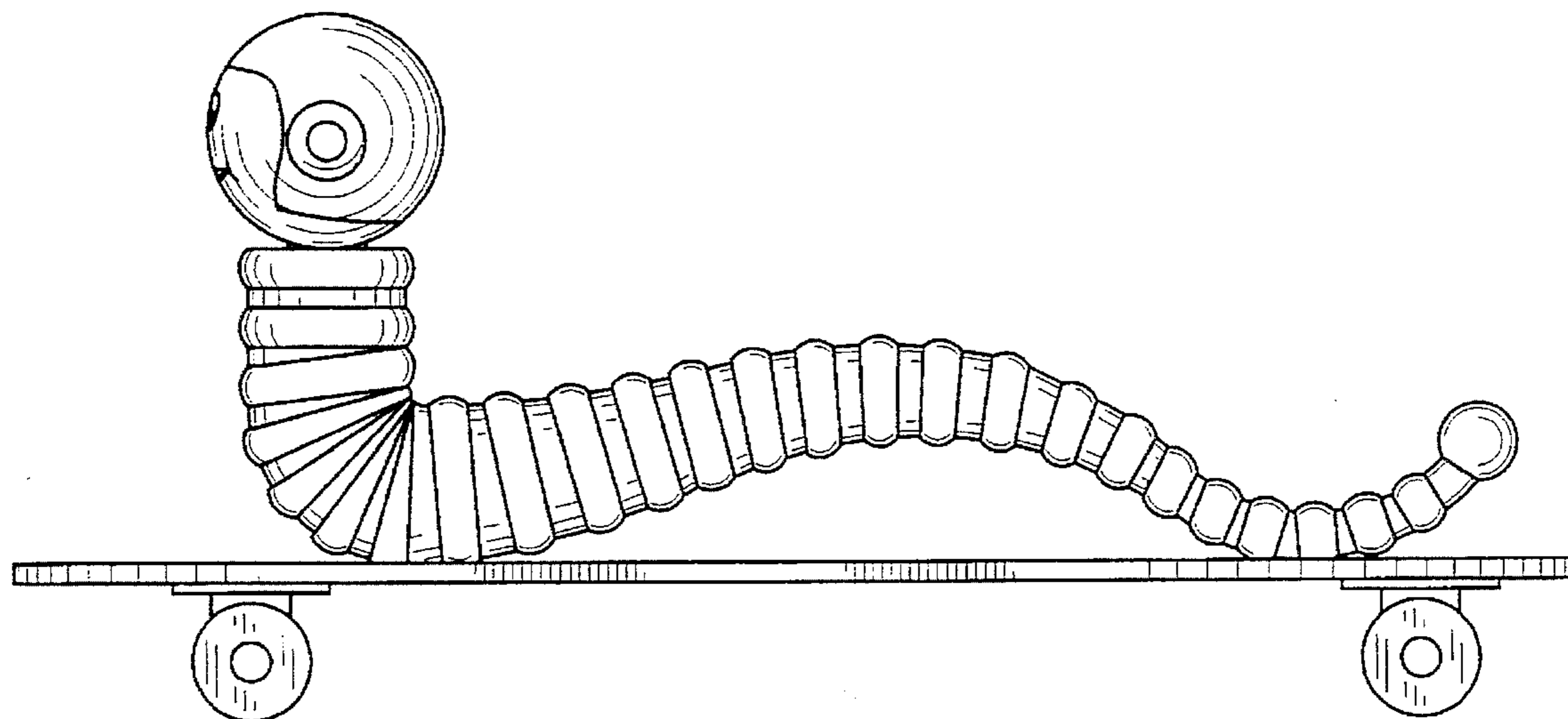


FIG. 1

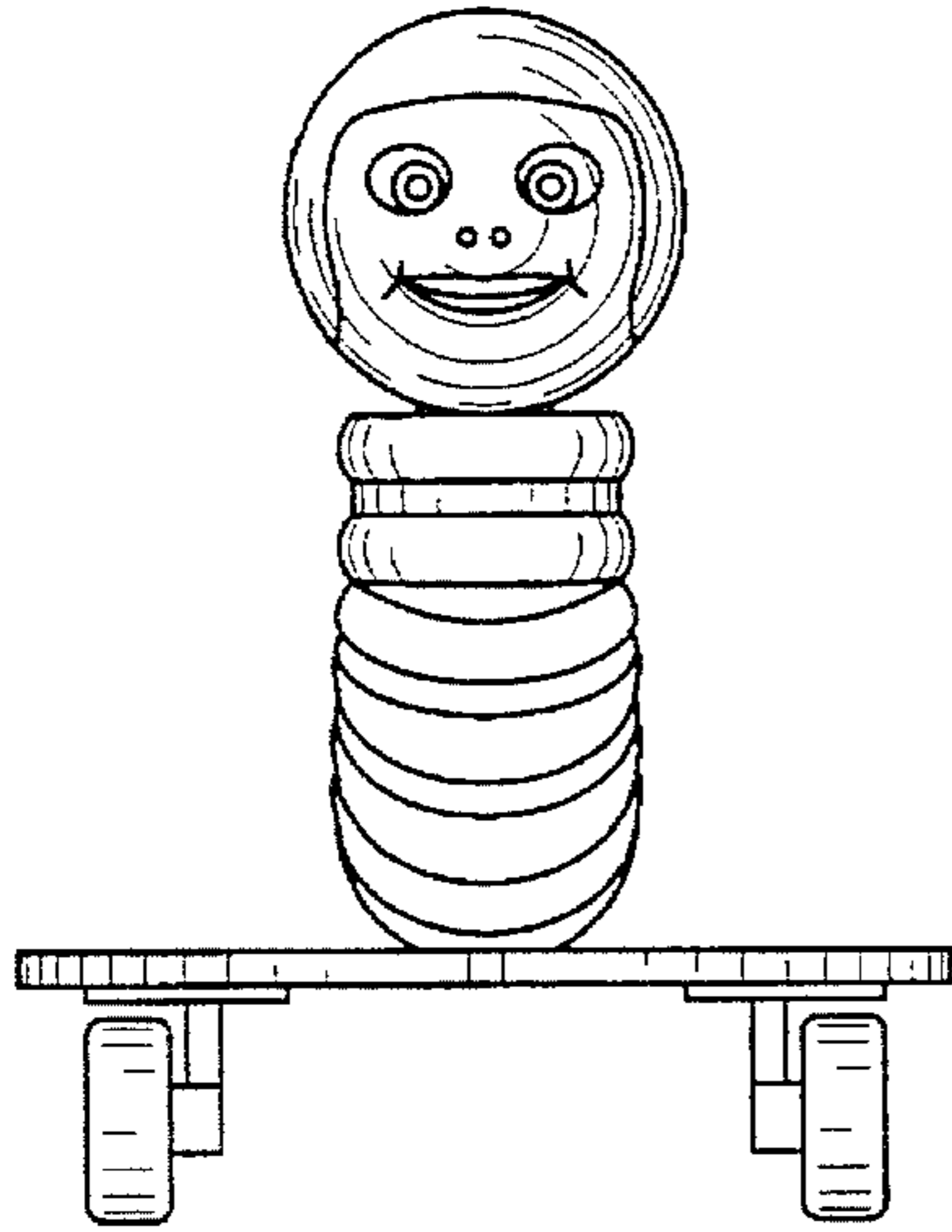


FIG. 2

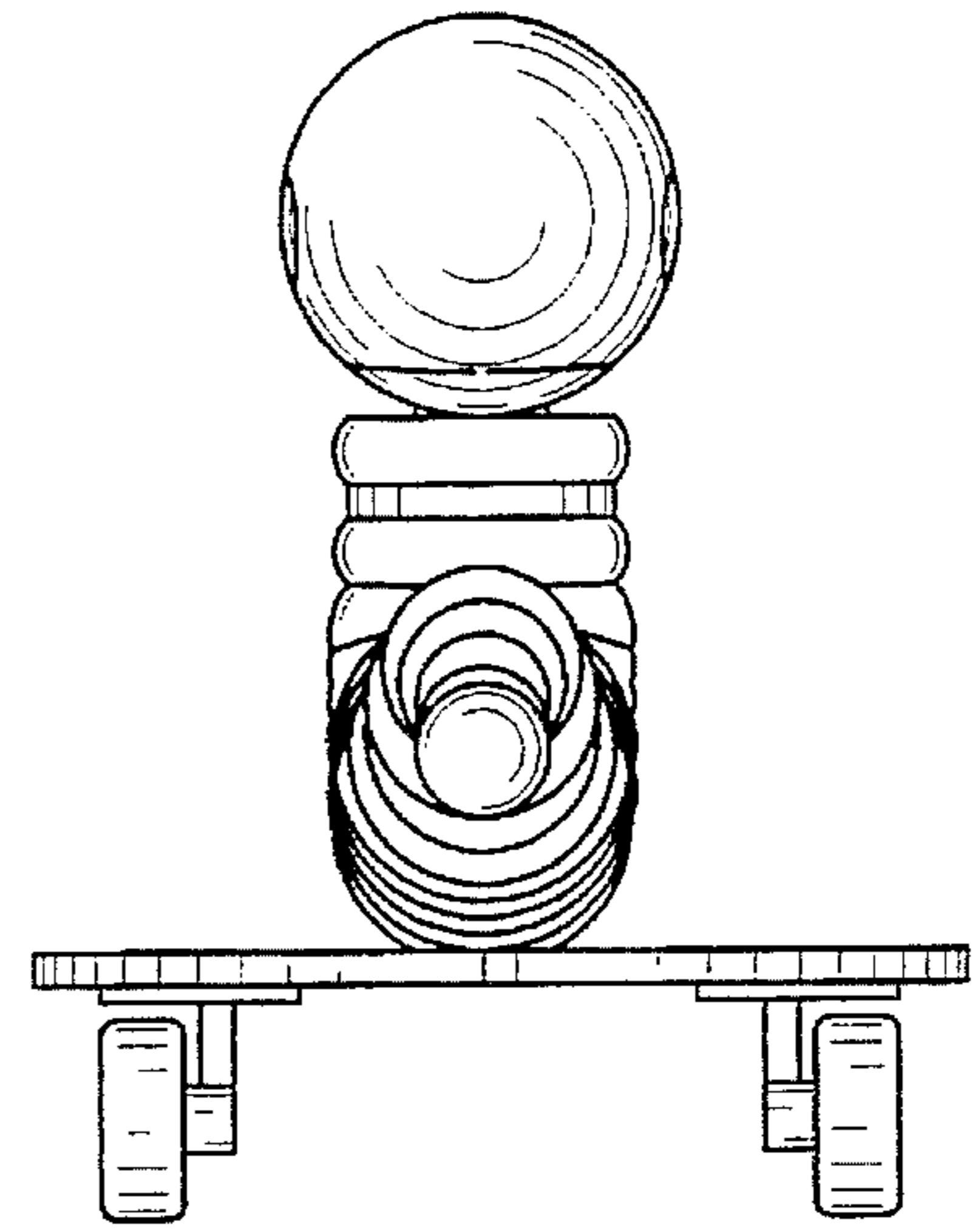


FIG. 3

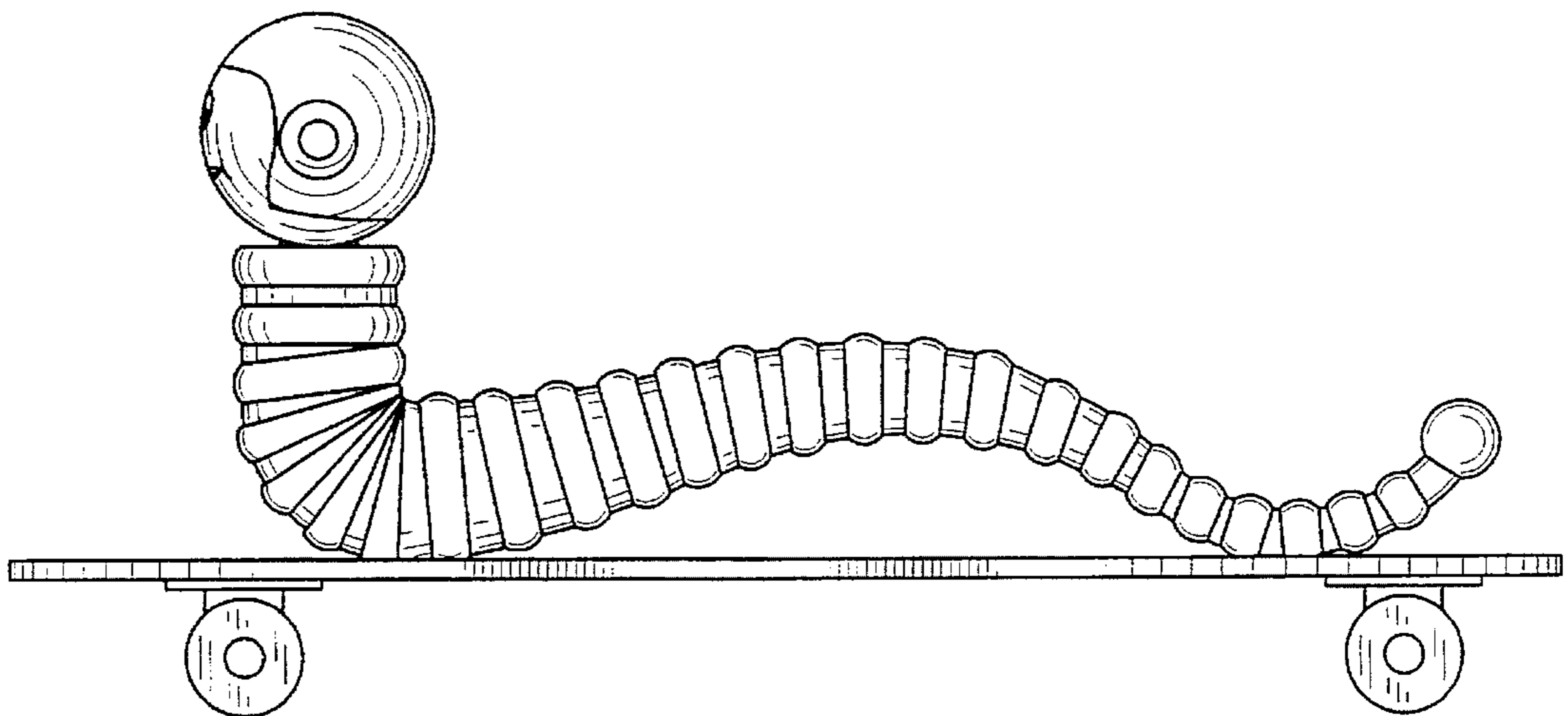


FIG. 4

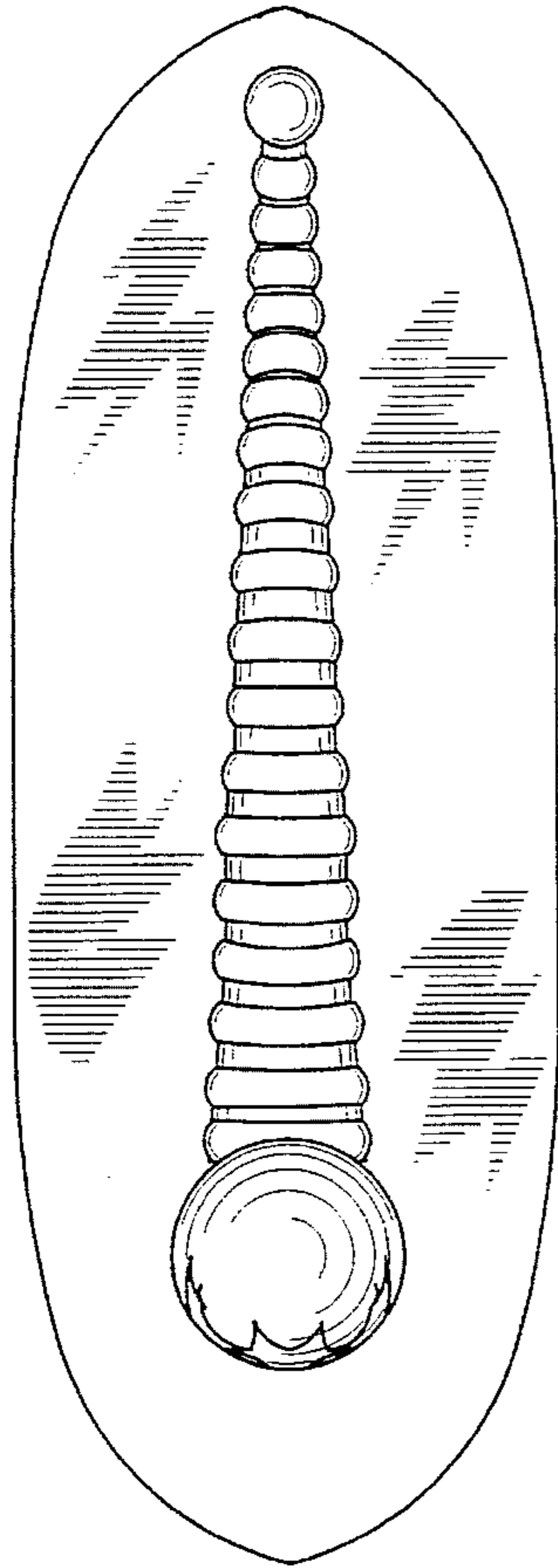


FIG. 5

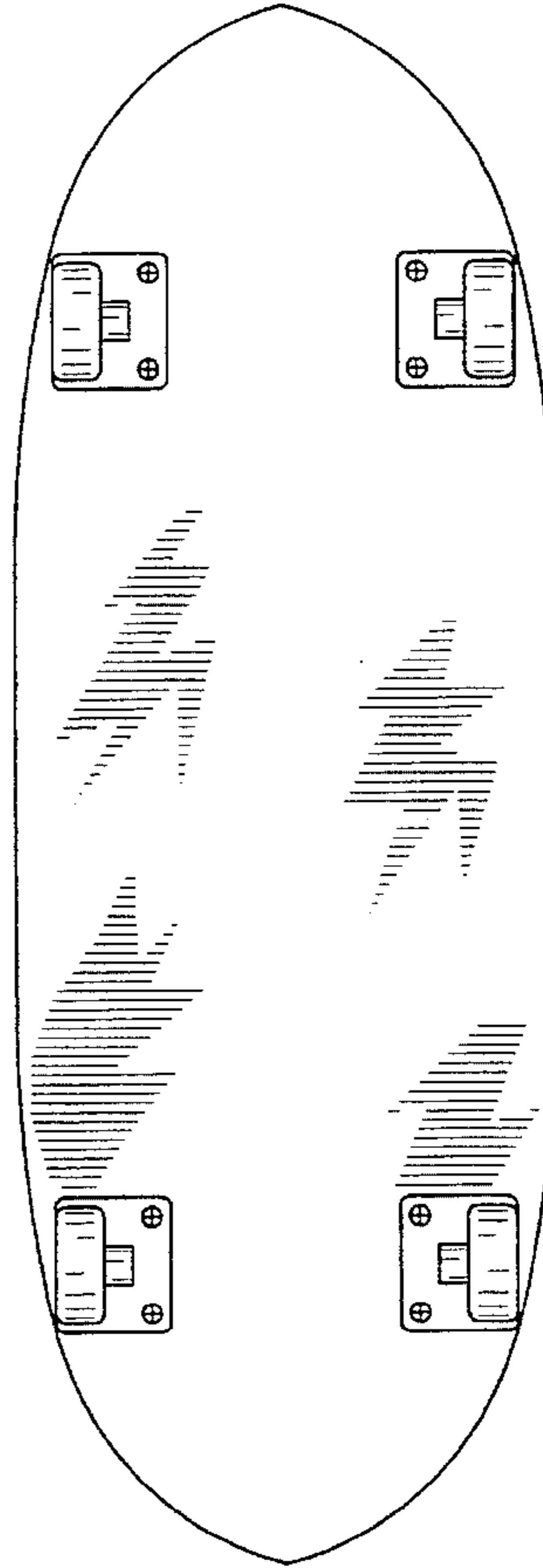


FIG. 6

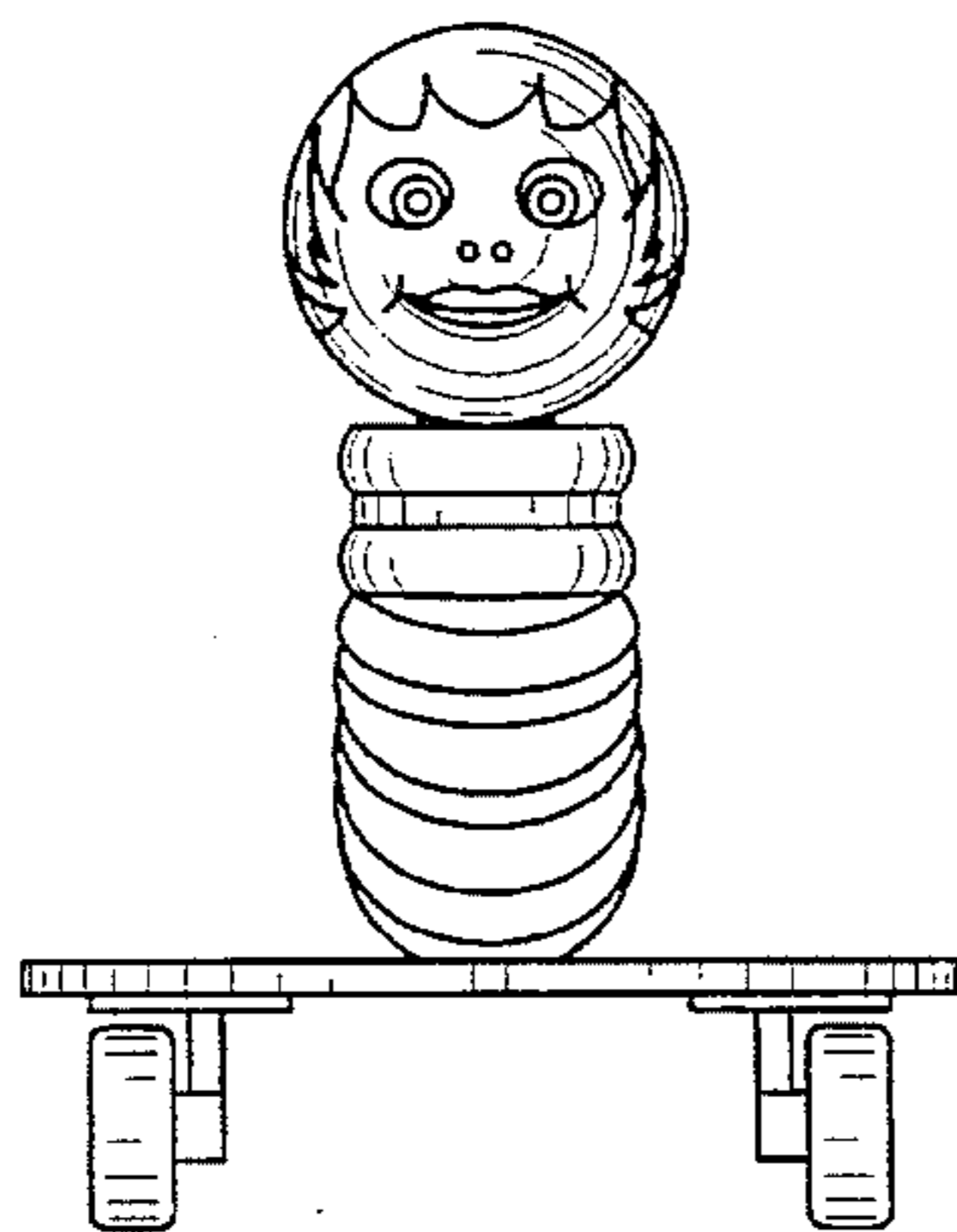


FIG. 7

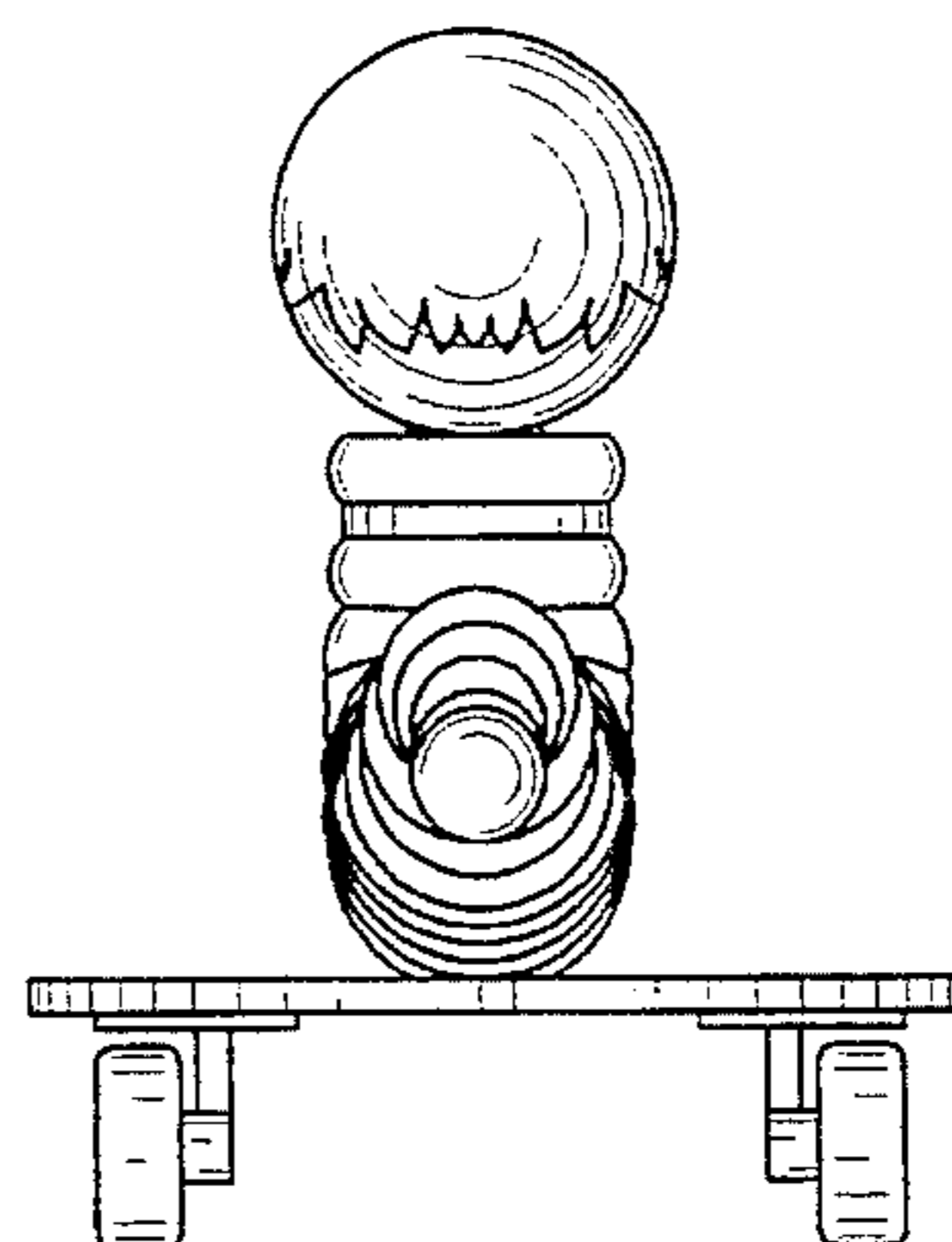


FIG. 8

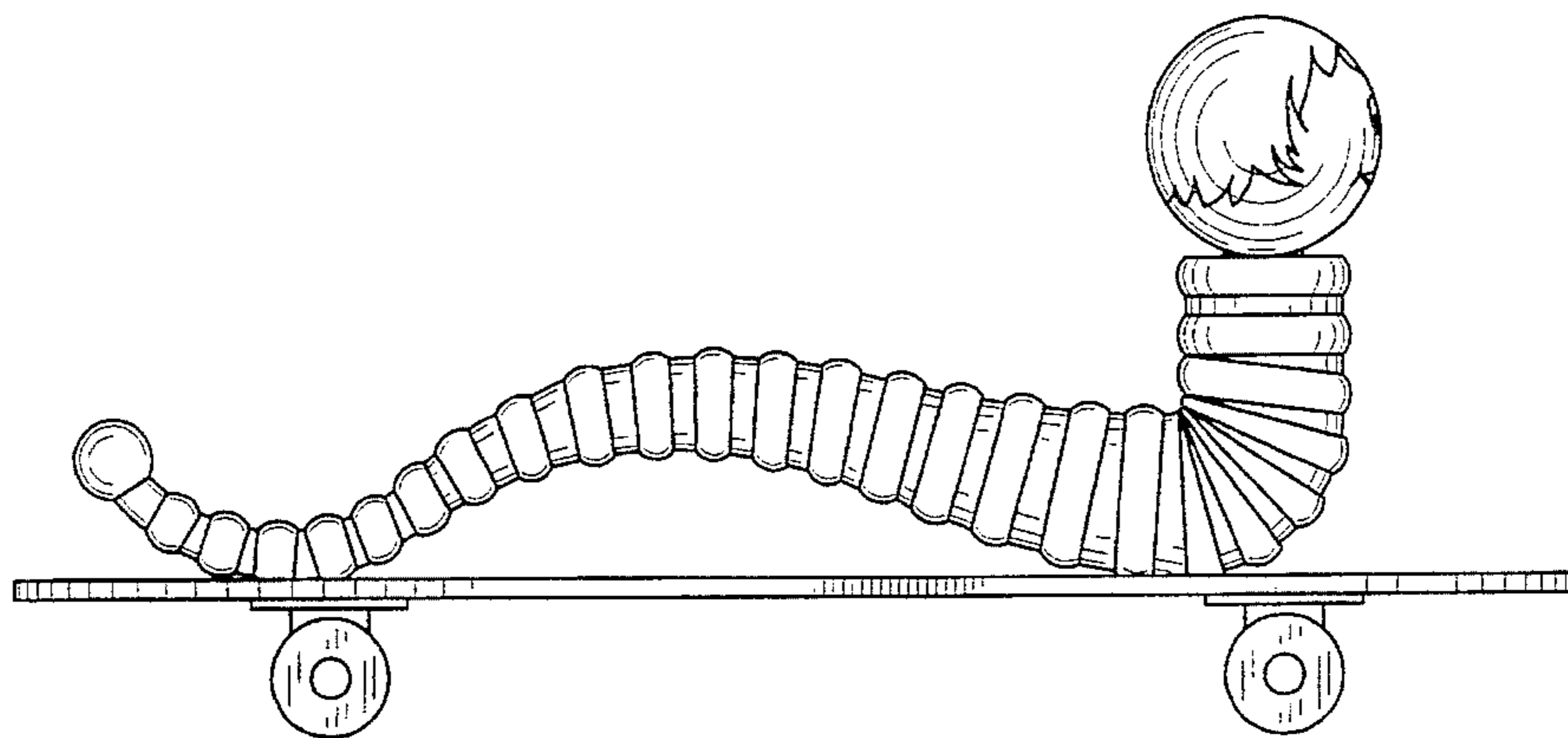


FIG. 9

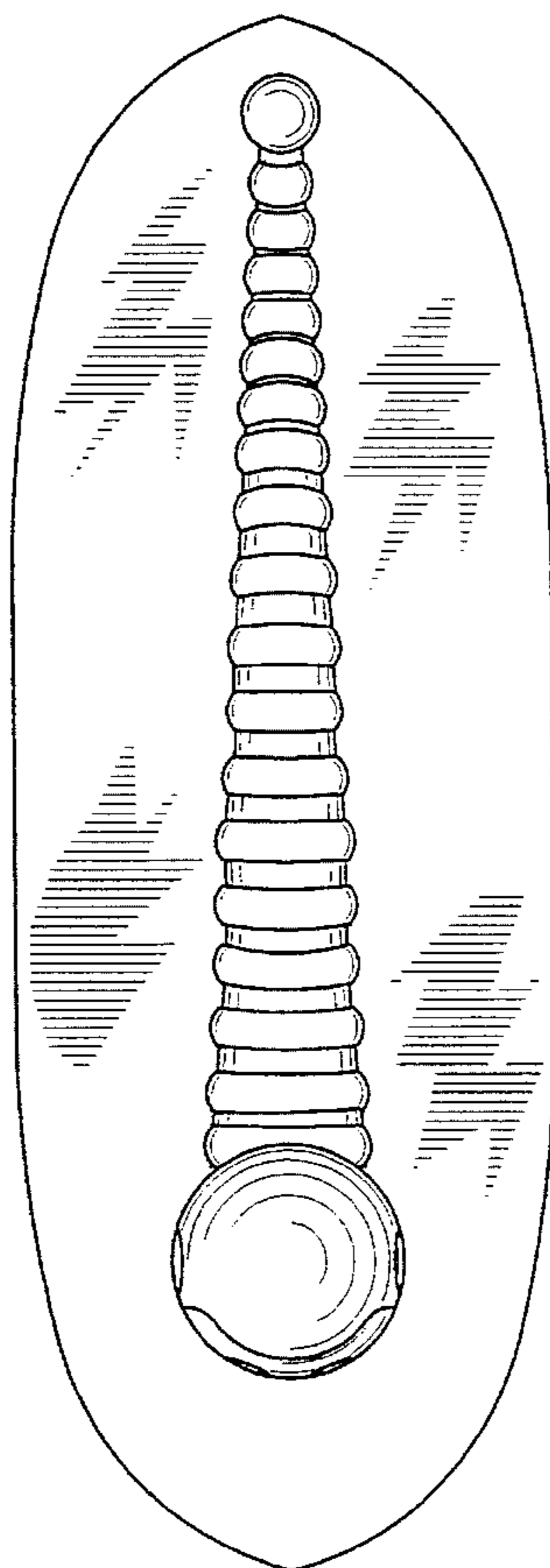


FIG. 10

