



US00D364433S

United States Patent [19]

[11] Patent Number: **Des. 364,433**

Chiuminatta et al.

[45] Date of Patent: ****Nov. 21, 1995**

[54] GOLF PUTTER HEAD

FOREIGN PATENT DOCUMENTS

[76] Inventors: **Edward Chiuminatta**, 16405 Everett;
Alan R. Chiuminatta, 16862 Mariposa
Ave., both of Riverside, Calif. 92504

2534817 4/1984 France 273/167 R
52-15733 2/1977 Japan .
16834 of 1906 United Kingdom .
2130895 6/1984 United Kingdom .

[**] Term: **14 Years**

OTHER PUBLICATIONS

[21] Appl. No.: **14,586**

Golf World; May 1965; p. 30; Club in middle of page.
Retailing Home Furnishings; Jul. 1975; section 2; p. 58.

[22] Filed: **Oct. 26, 1993**

Primary Examiner—Ted Shooman

[52] U.S. Cl. **D21/219**

Assistant Examiner—Mitchell I. Siegel

[58] Field of Search D21/217-219;
273/167-175

Attorney, Agent, or Firm—Knobbe, Martens, Olson & Bear

[57] CLAIM

[56] References Cited

The ornamental design for a golf putter head, as shown and described.

U.S. PATENT DOCUMENTS

DESCRIPTION

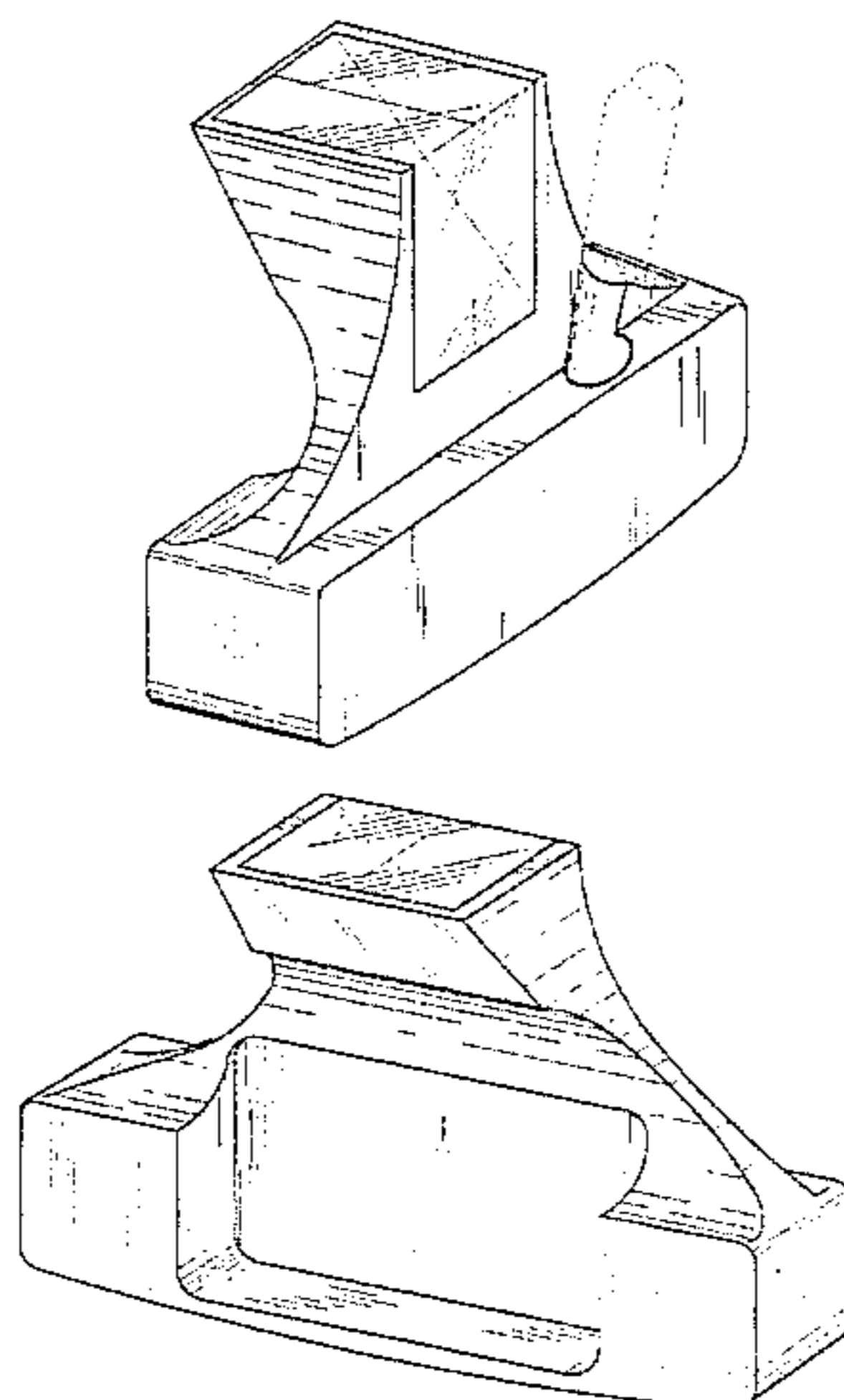
Re. 19,178	5/1934	Spiker .	
D. 233,535	11/1974	Karban	D21/219 X
D. 234,524	3/1975	Leander	D21/219
D. 234,782	4/1975	Creed .	
D. 240,249	6/1976	Chellman	D21/219
D. 245,438	8/1977	Thiel .	
D. 245,439	8/1977	Thiel	D21/219
D. 245,721	9/1977	Koch	D21/218
D. 248,783	8/1978	Long	D21/217
D. 257,868	1/1981	Shelton	D21/217
D. 336,321	6/1993	Gerritzen	D21/219
1,327,171	1/1920	Ruggles .	
1,556,062	10/1925	Baugh .	
1,993,928	3/1935	Glover .	
2,463,291	3/1949	Mazziotti .	
2,463,798	3/1949	Paisley .	
2,822,614	2/1958	Susinno .	
3,019,022	1/1962	Ehmke .	
3,043,596	7/1962	Ehmke .	
3,273,891	9/1966	Grim .	
3,374,027	3/1968	Jacobs .	
3,507,500	4/1970	Scott .	
3,845,960	11/1974	Thompson	273/167 F
3,873,094	3/1975	Sebo et al.	273/167 R
3,966,210	6/1976	Rozmus .	
4,324,404	4/1982	Dian .	
4,367,877	1/1983	Gibson et al. .	
4,529,202	7/1985	Jacobson .	
4,569,523	2/1986	Jarvis .	

FIG. 1 is front perspective view of the golf putter head showing our new design;
FIG. 2 is a back perspective view of the golf putter head shown in FIG. 1;
FIG. 3 is a top plan view of the golf putter head shown in FIG. 1;
FIG. 4 is a back view of the golf putter head shown in FIG. 1;
FIG. 5 is a right side view of the golf putter head shown in FIG. 1;
FIG. 6 is a front view of the golf putter head shown in FIG. 1;
FIG. 7 is a bottom view of the golf putter head shown in FIG. 1;
FIG. 8 is a left side view of the golf putter head shown in FIG. 1; and,
FIG. 9 is a rear perspective view of a second embodiment of the golf putter head as disclosed in FIG. 1.

The undisclosed sides of the second embodiment are the same as the corresponding views of the first embodiment. The broken lines showing of a fragmented shaft is for illustrative purposes only and forms no part of the claimed design.

(List continued on next page.)

1 Claim, 3 Drawing Sheets



U.S. PATENT DOCUMENTS

4,601,472	7/1986	O'Flanagan .	4,953,866	9/1990	Bang .
4,695,054	9/1987	Tunstall .	4,962,932	10/1990	Anderson .
4,828,266	5/1989	Tunstall .	4,979,744	12/1990	Alcala .
4,834,387	5/1989	Waites et al. .	5,026,056	1/1991	McNally et al. .
4,844,468	6/1989	Lee .	5,071,129	12/1991	Wilson .
4,927,144	5/1990	Stormon .	5,116,047	5/1992	Phelan et al. .
			5,193,806	3/1993	Burkly .

Fig. 1

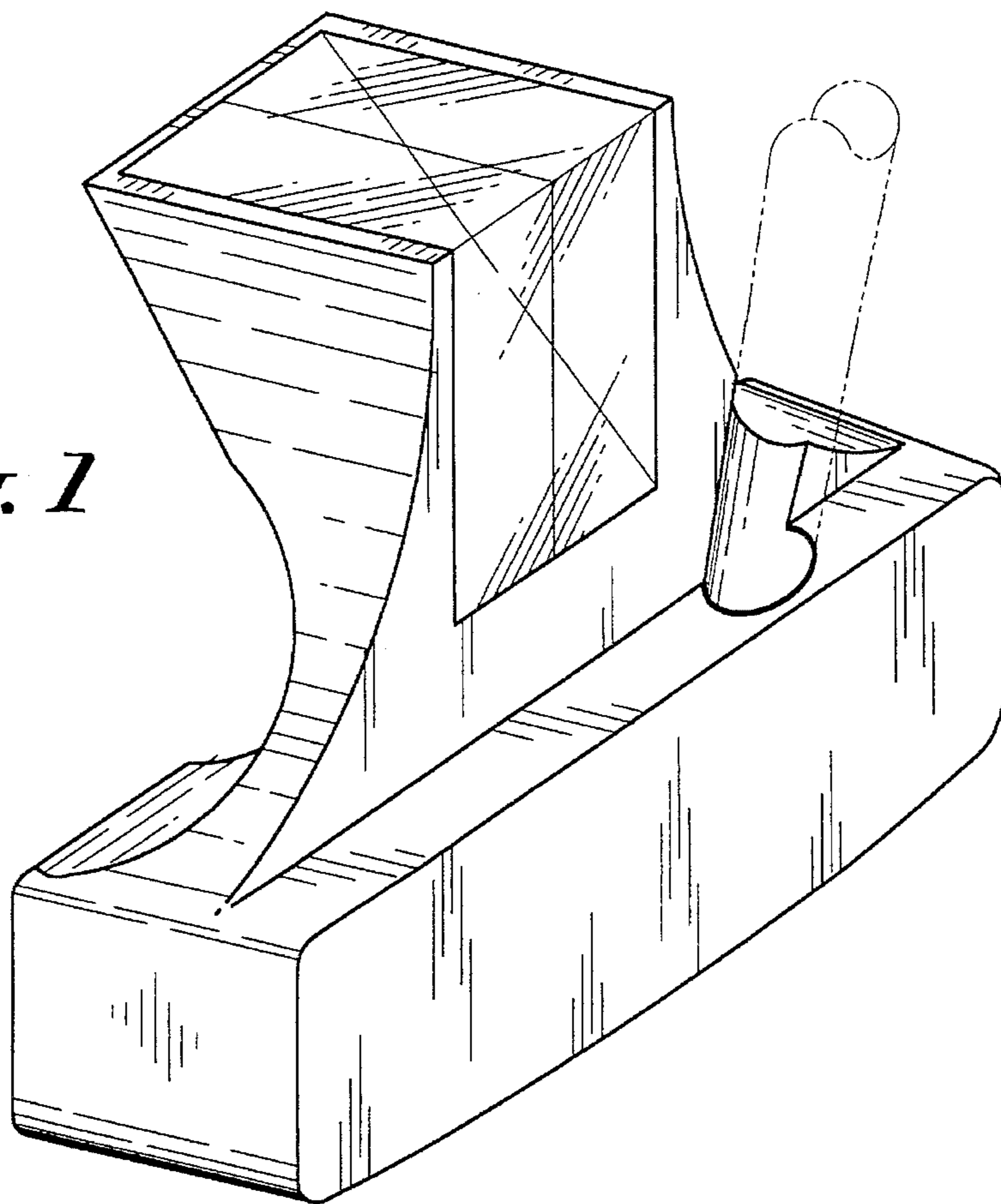
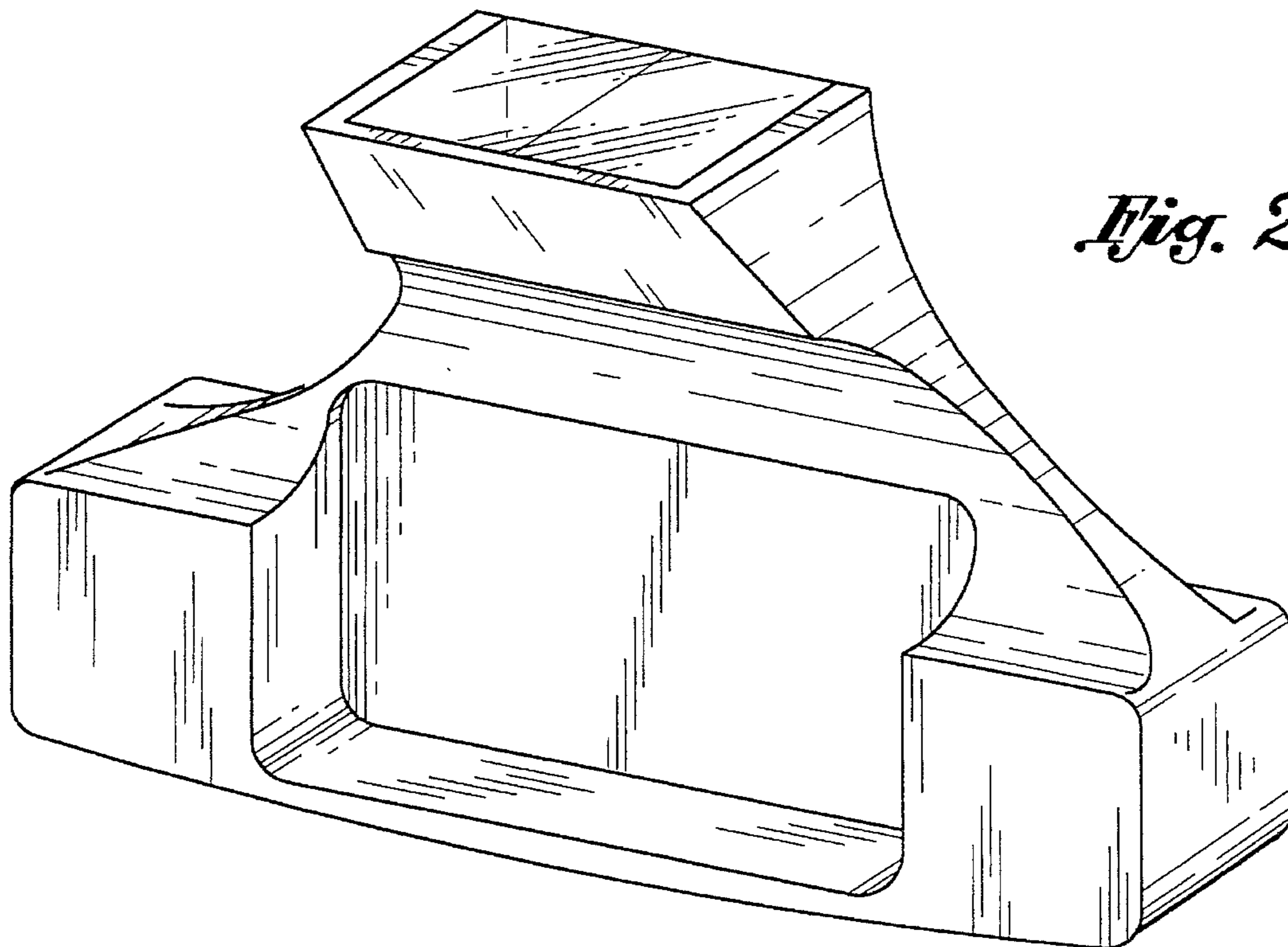


Fig. 2



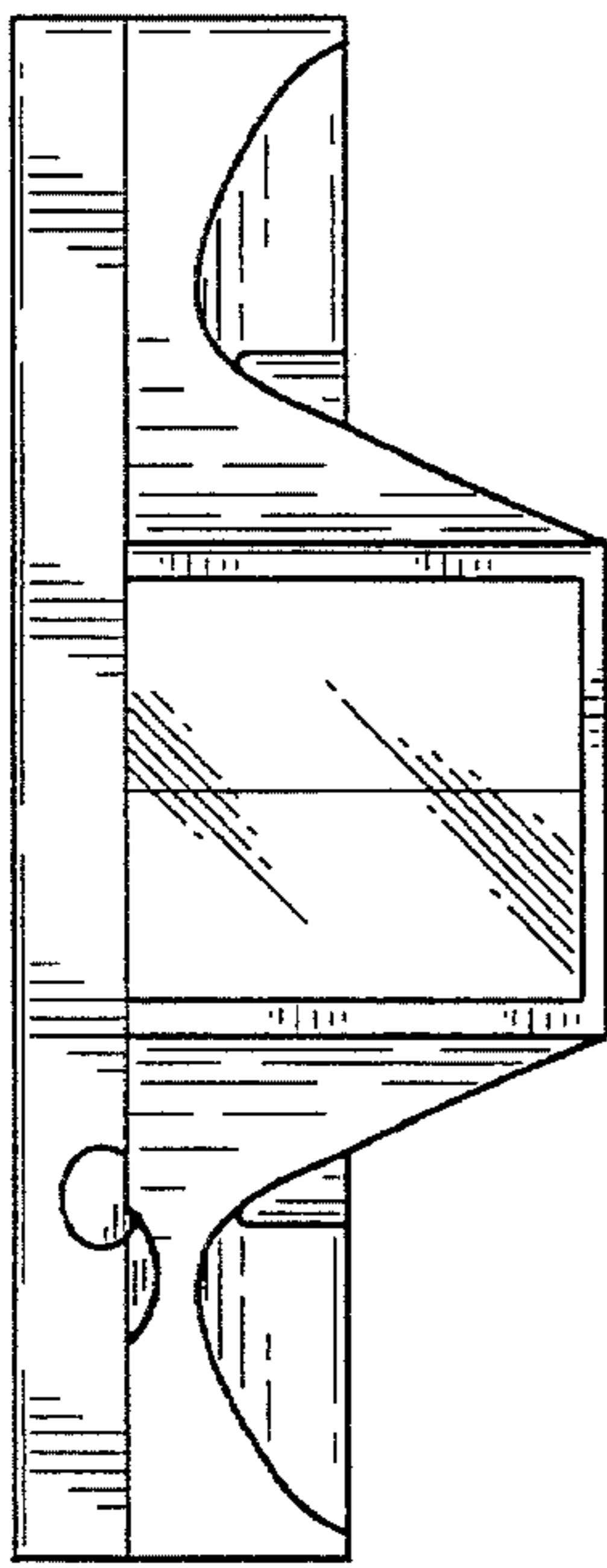


Fig. 3

Fig. 8

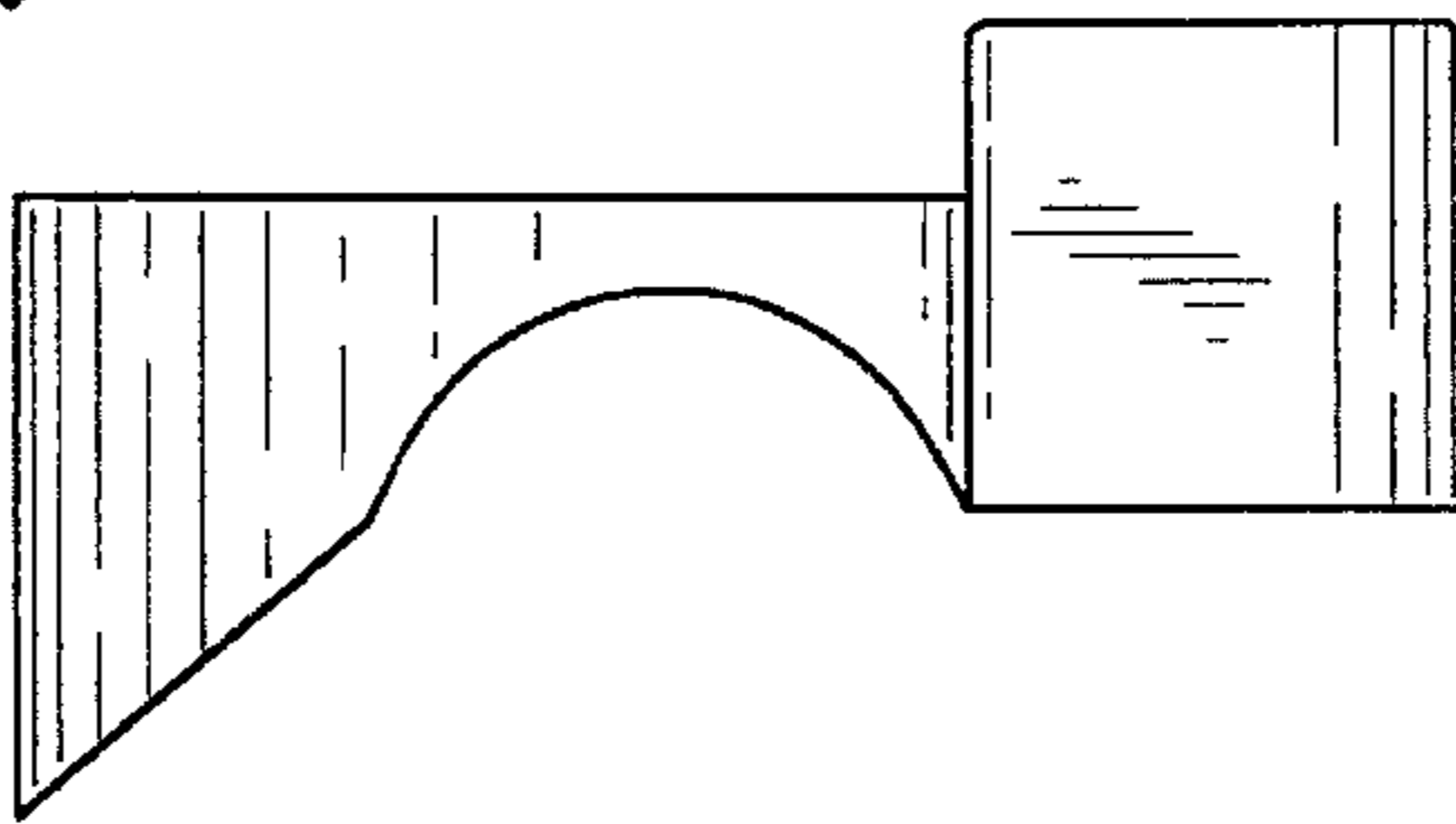


Fig. 4

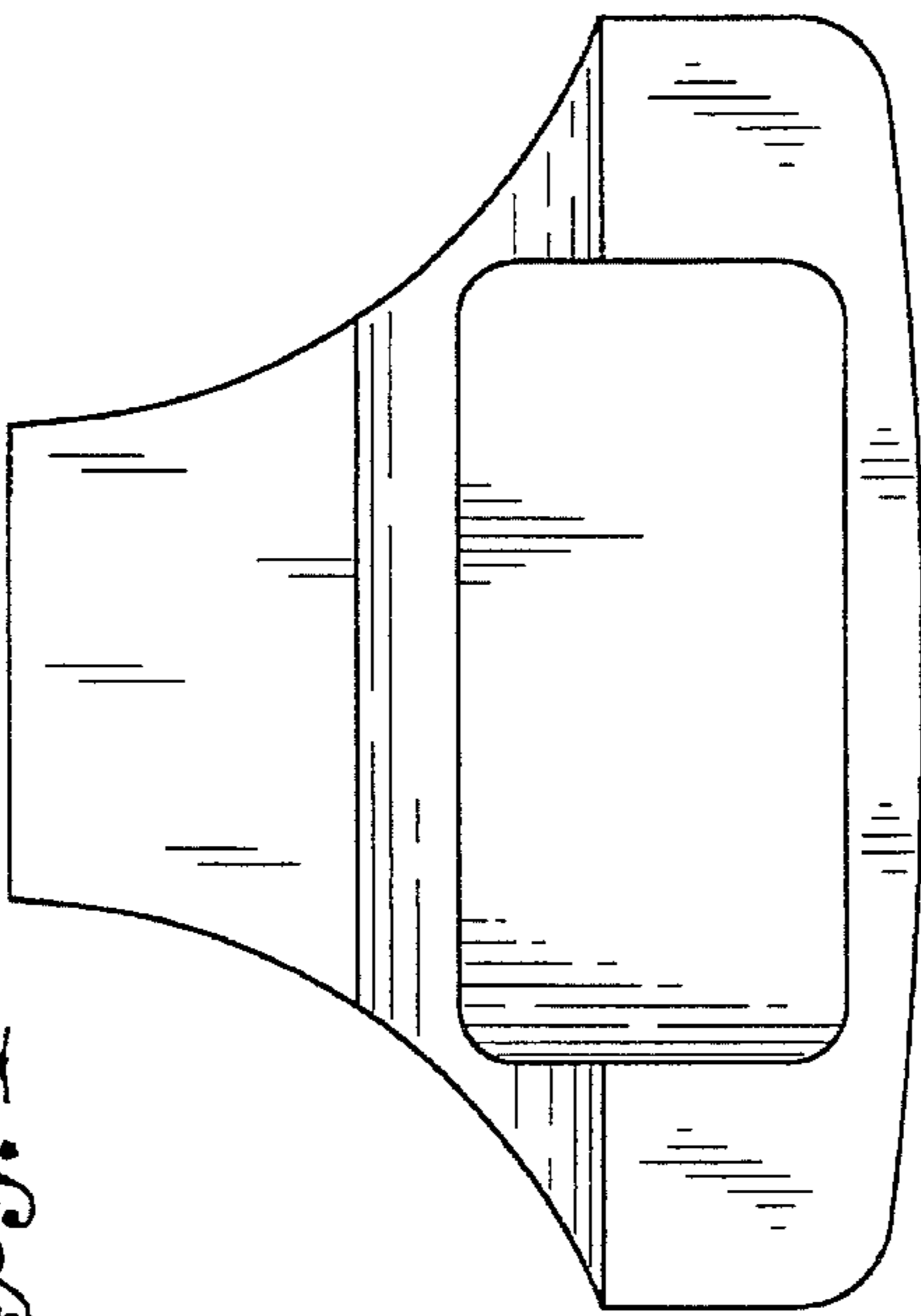


Fig. 5

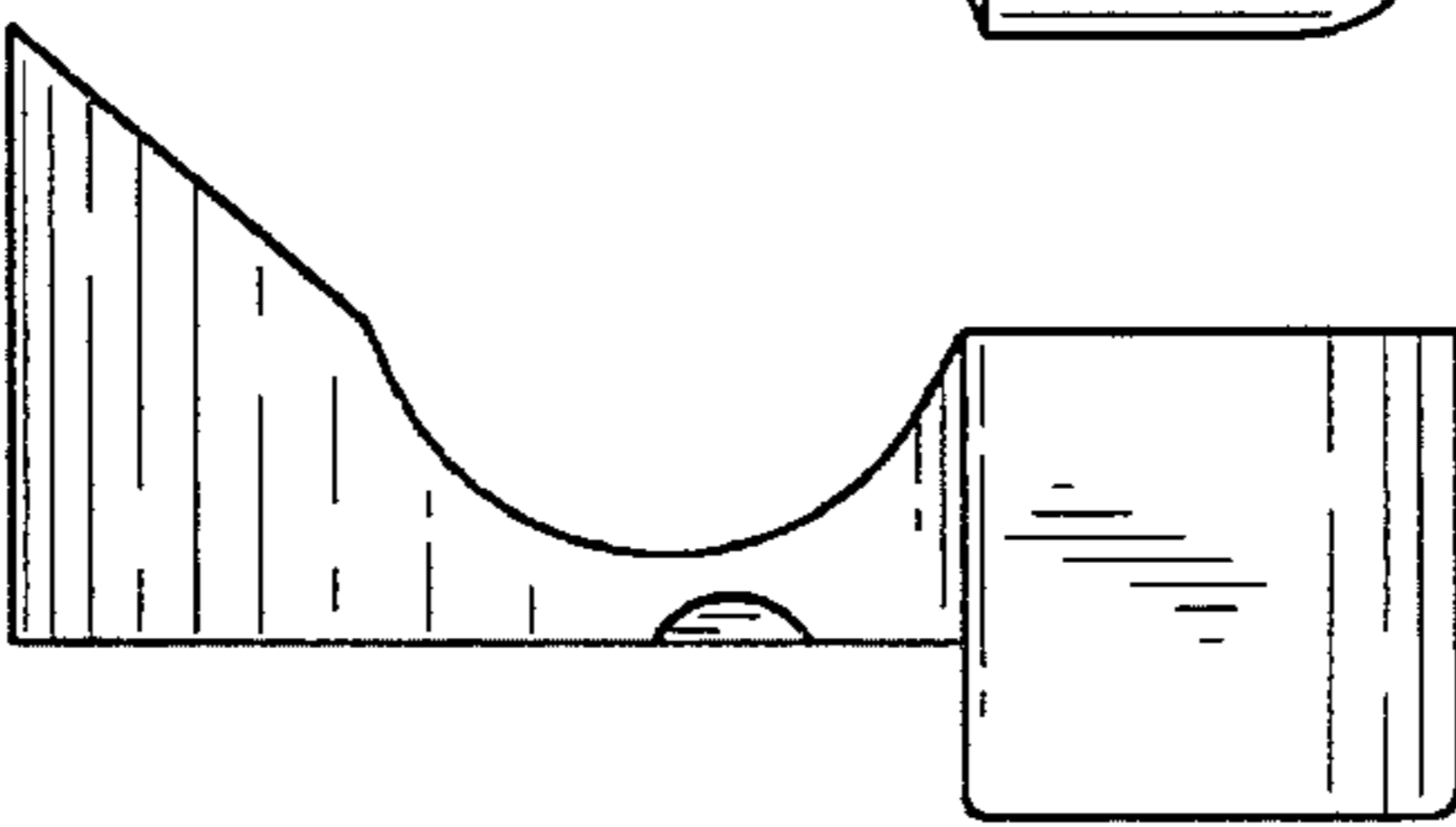


Fig. 6

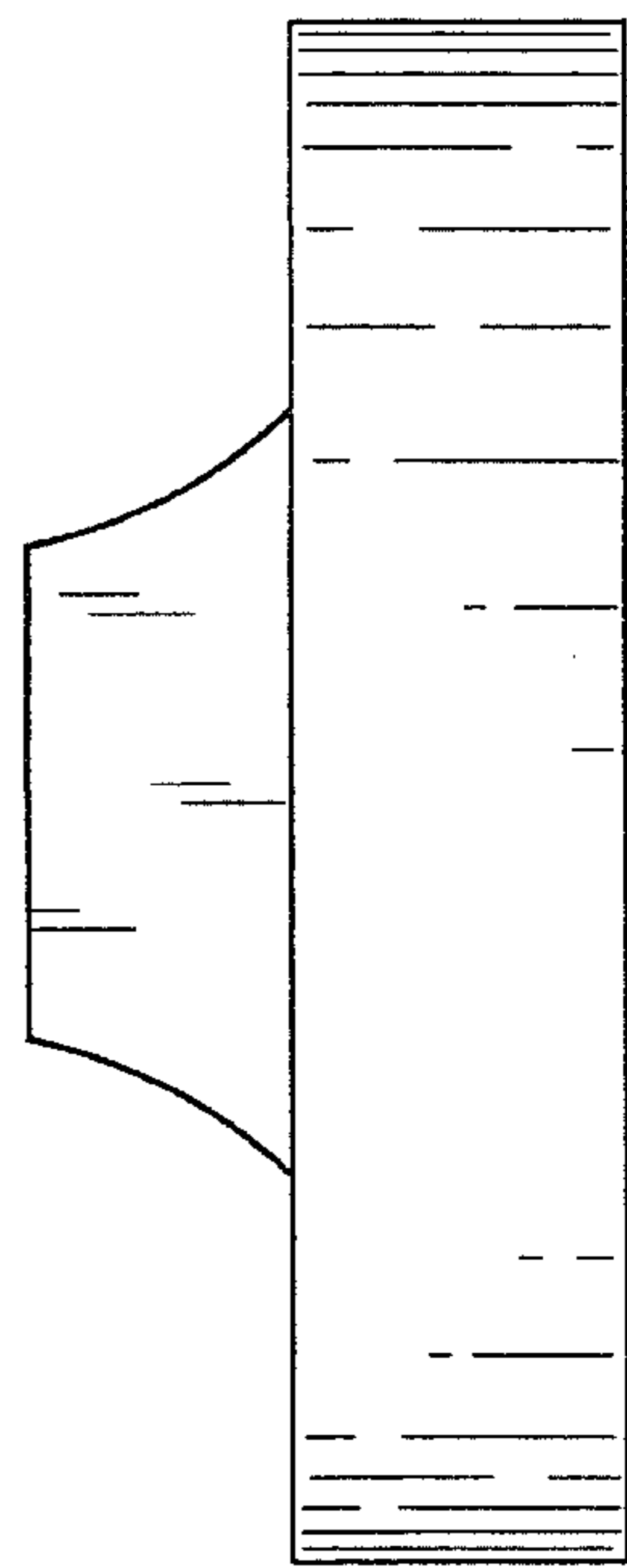
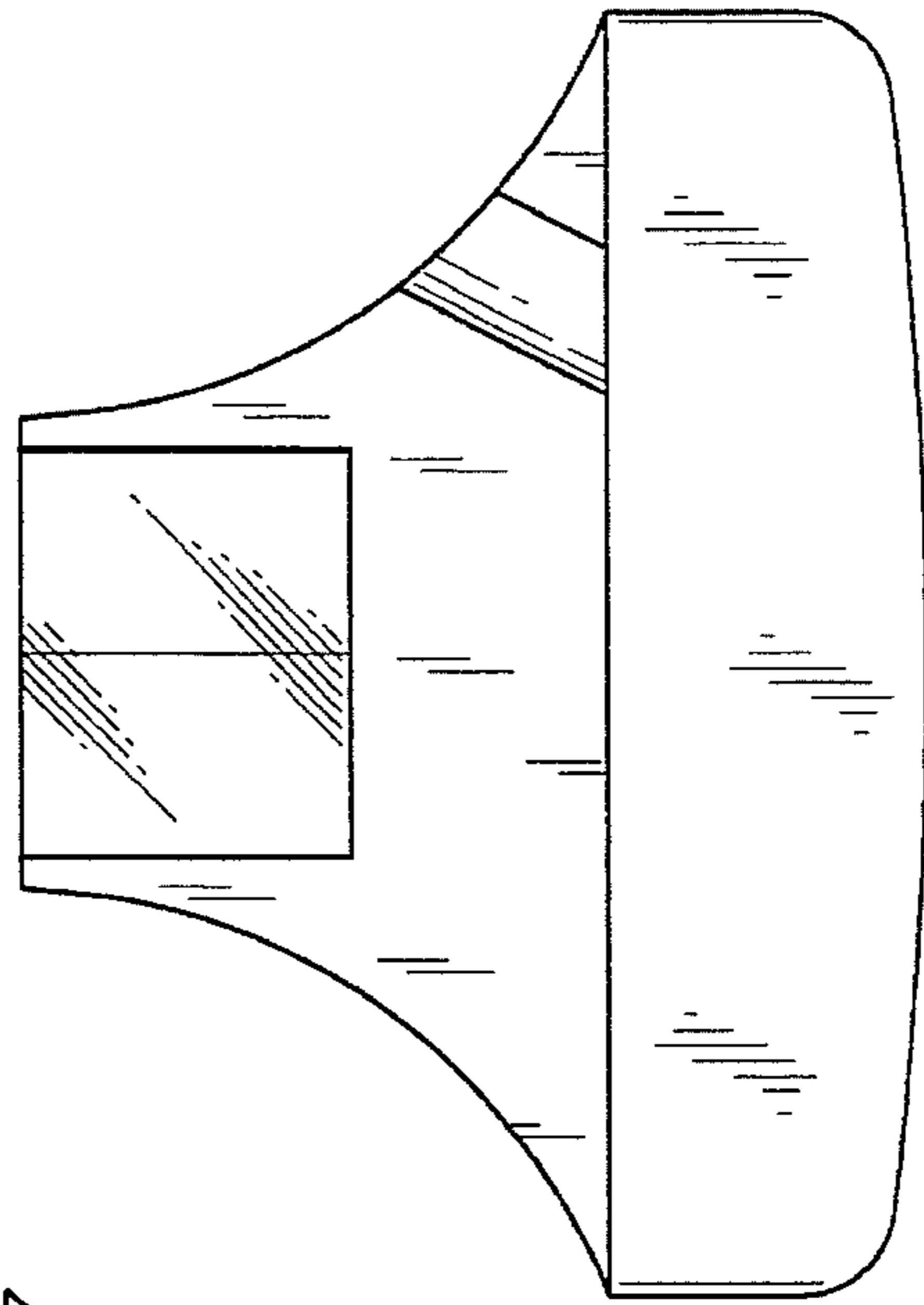


Fig. 7

Fig. 9

