



US00D364431S

United States Patent [19]

[11] Patent Number: **Des. 364,431**

Diecidue et al.

[45] Date of Patent: ****Nov. 21, 1995**

[54] RING TOY

4,151,674 5/1979 Klahn et al. 446/34
4,790,788 12/1988 Hill 446/34 X
4,934,546 6/1990 Markley .

[76] Inventors: **Pamela Diecidue**, 74 Georgetown Pl.,
Hyde Park, Mass. 02136; **Elizabeth
Bonanno**, 6 Oakdale Rd., Canton,
Mass. 02021

Primary Examiner—Dominic Simone
Attorney, Agent, or Firm—David S. Resnick

[**] Term: **14 Years**

[57] CLAIM

[21] Appl. No.: **20,459**

The ornamental design for a ring toy, as shown and described.

[22] Filed: **Mar. 25, 1994**

DESCRIPTION

[52] U.S. Cl. **D21/82**; D21/86

FIG. 1 is a perspective view of a ring toy showing our new design;

[58] Field of Search D21/59, 82, 86;
D9/434, 435, 447, 499; 446/34, 48; 273/425

FIG. 2 is a top plan view thereof;

FIG. 3 is a side view thereof, all sides being identical;

FIG. 4 is an bottom plan view thereof; and,

FIG. 5 is a cross-sectional view thereof, taken in the direction of the arrows along line 5—5 of FIG. 2, partially broken away for ease of illustration.

[56] References Cited

U.S. PATENT DOCUMENTS

D. 247,923	5/1978	Bartz	D21/82
D. 310,548	9/1990	Weiss	D21/86
3,765,122	10/1973	English	446/48
3,828,466	8/1974	Geiger	446/48

1 Claim, 1 Drawing Sheet

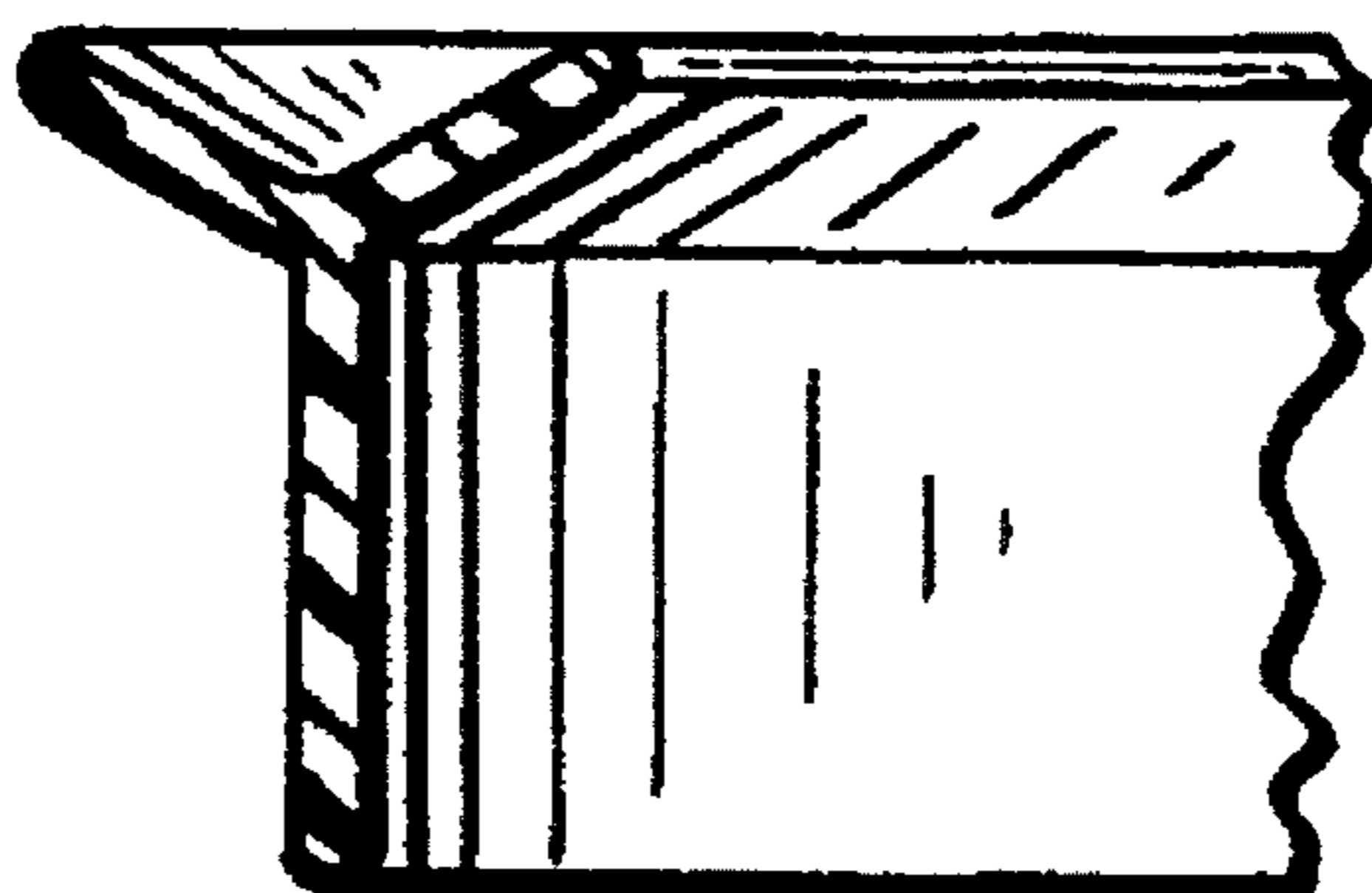
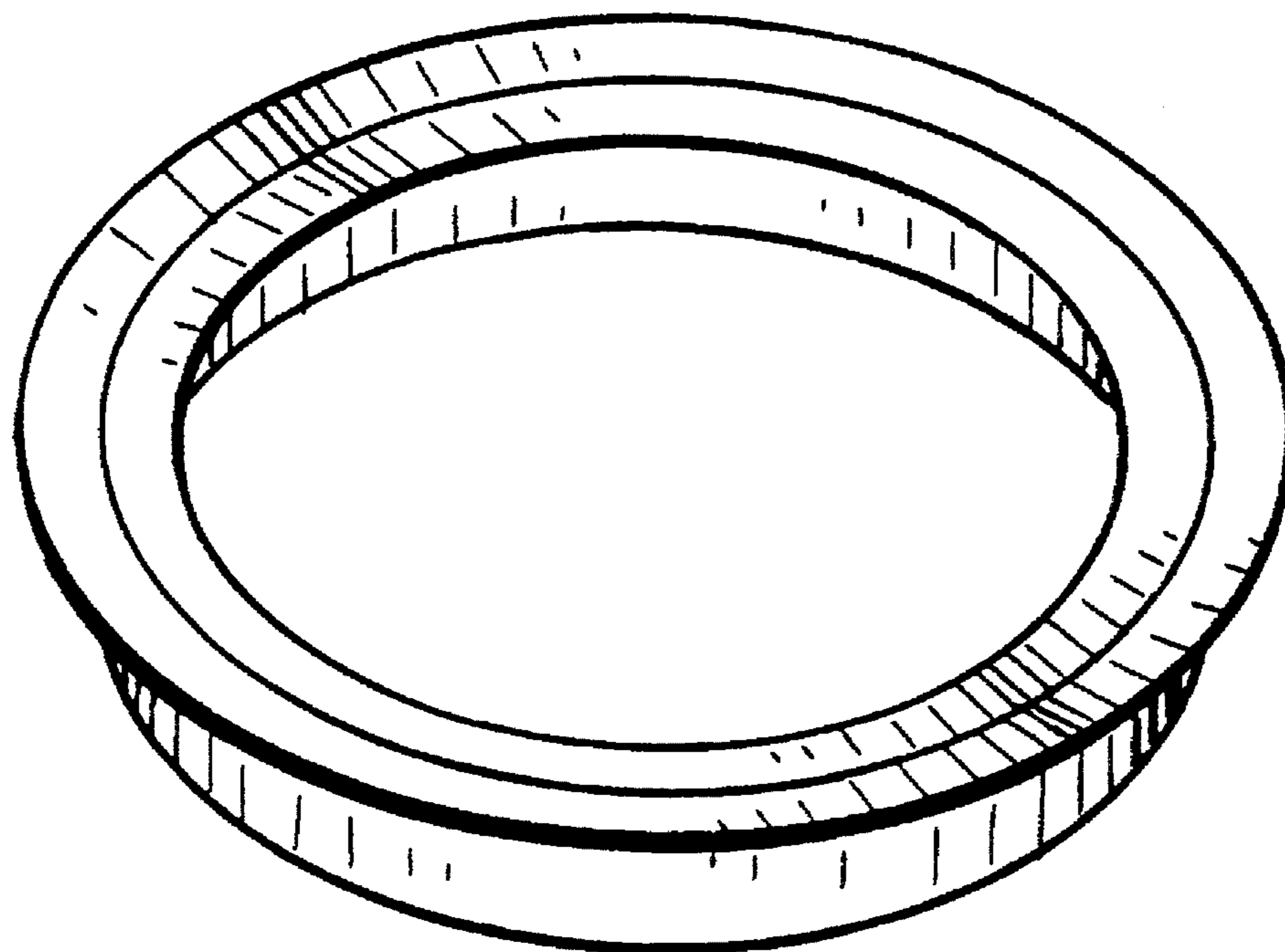


FIG. 1

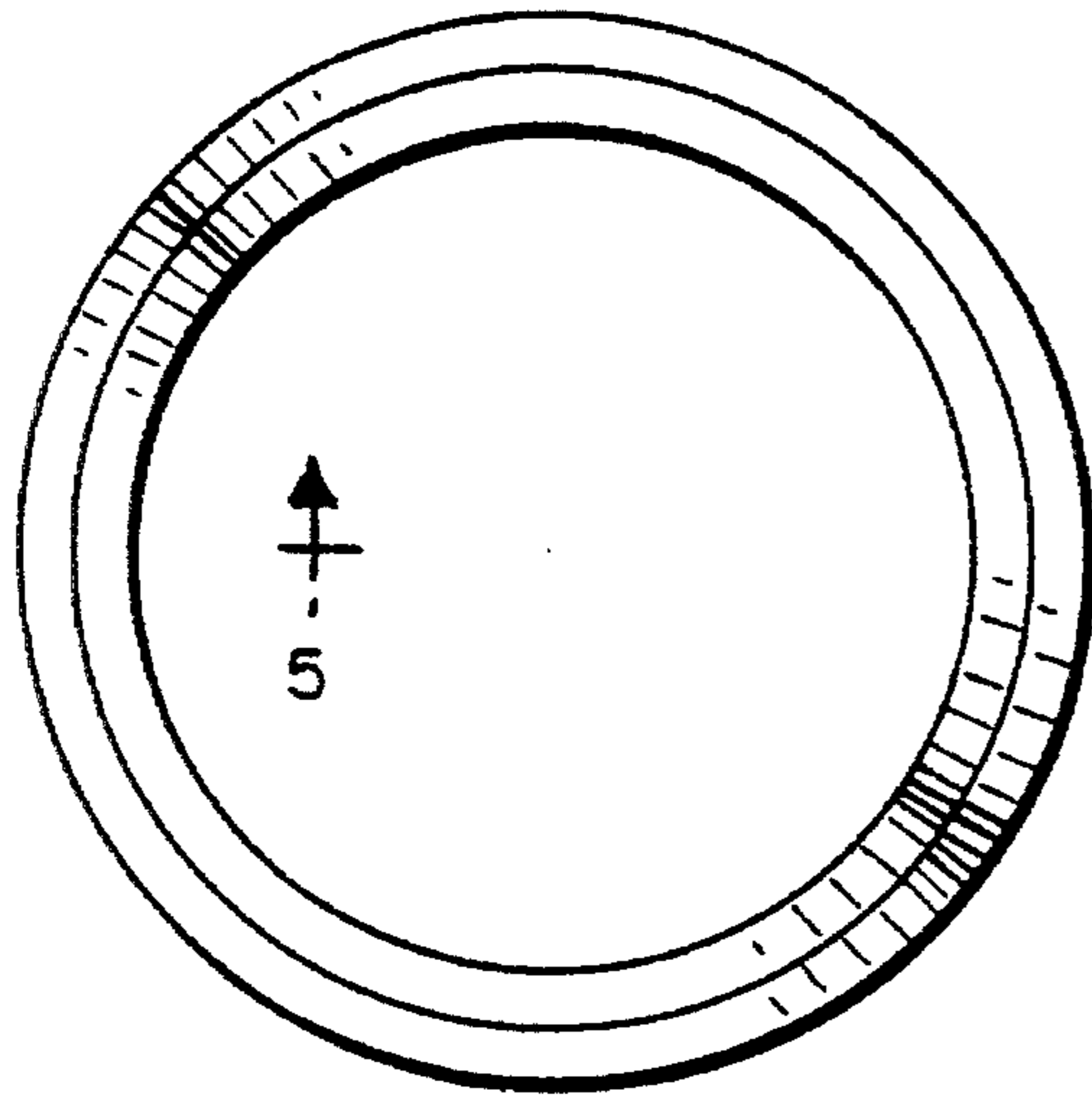
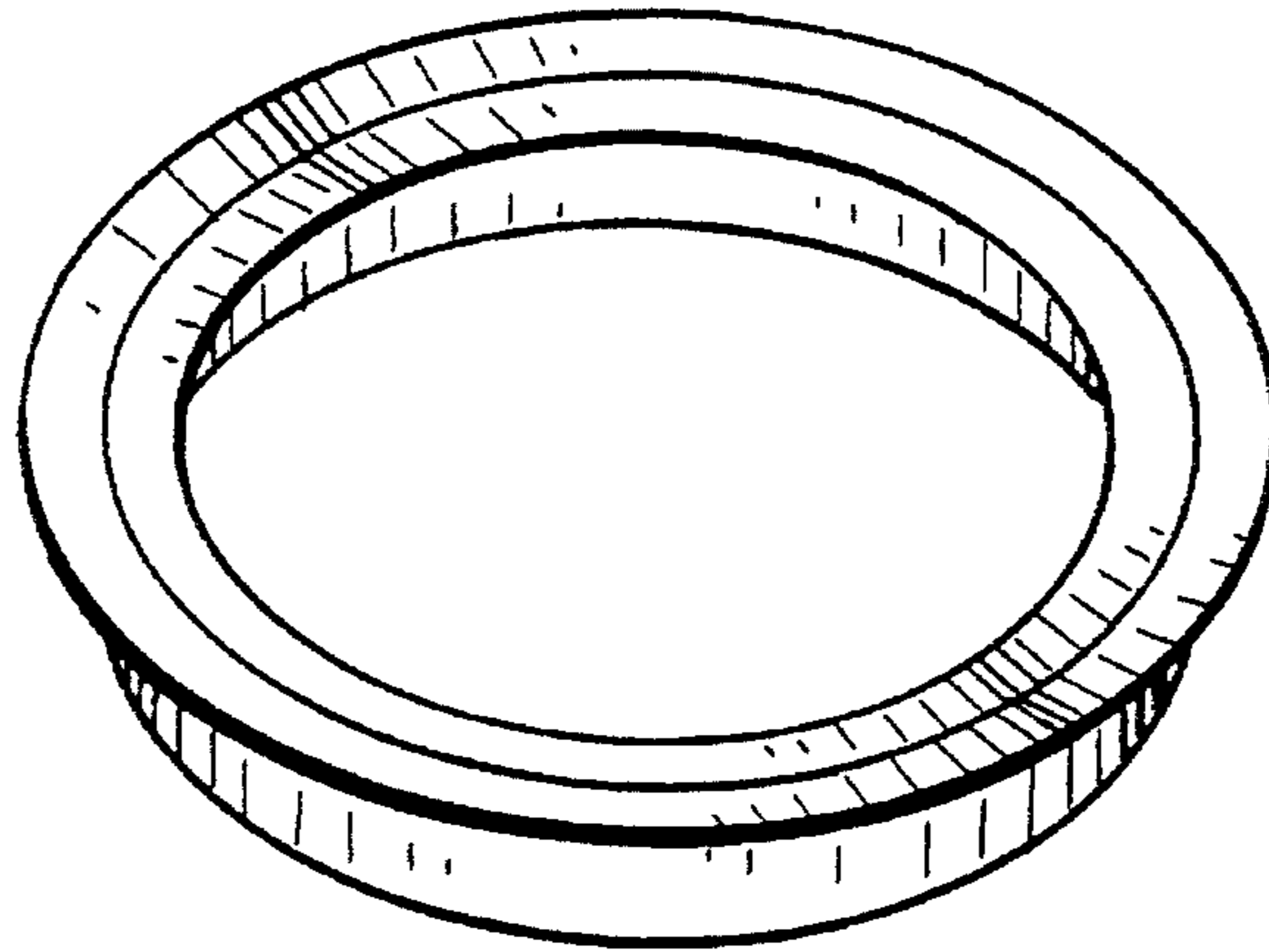


FIG. 2



FIG. 3

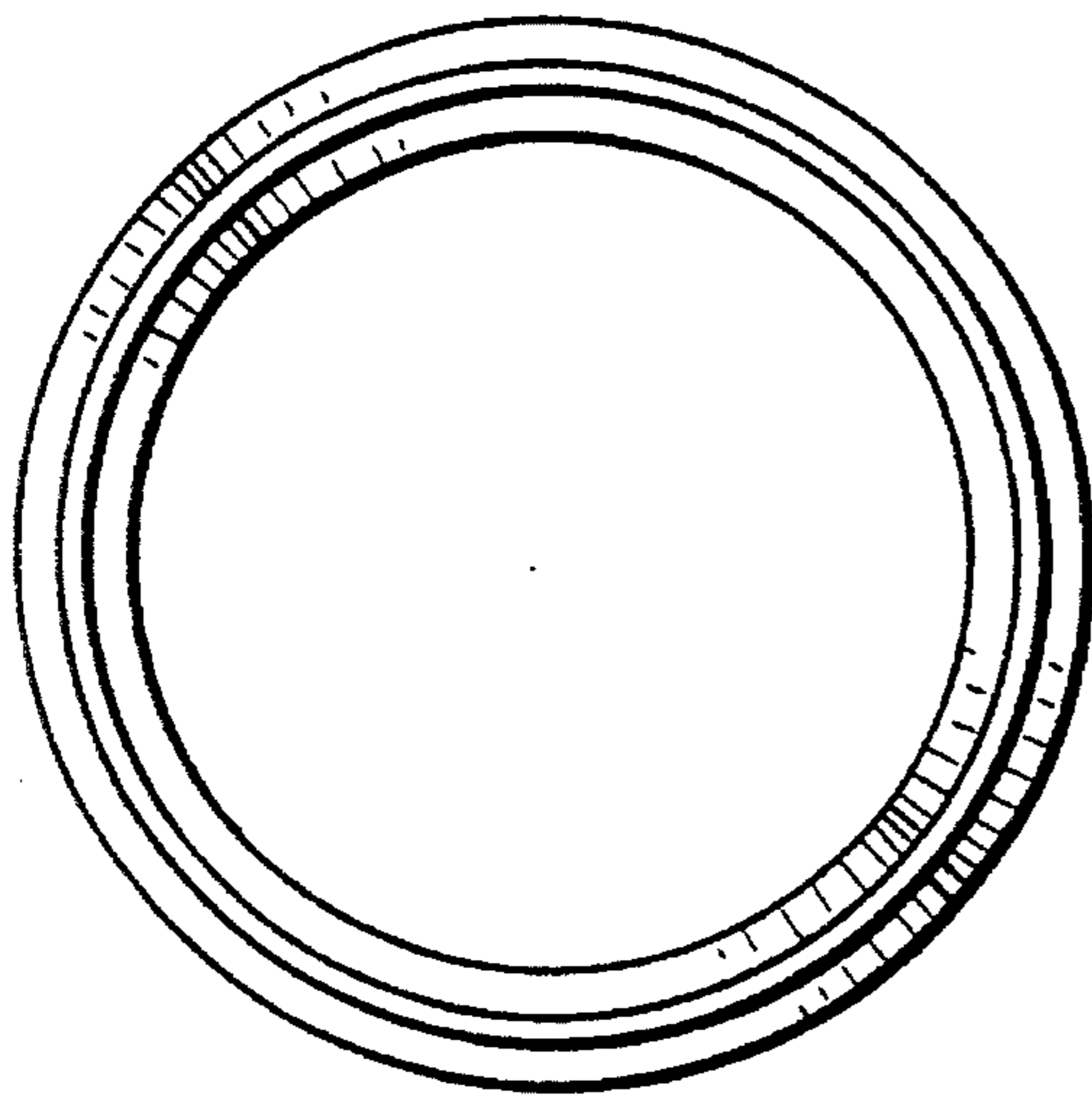


FIG. 4

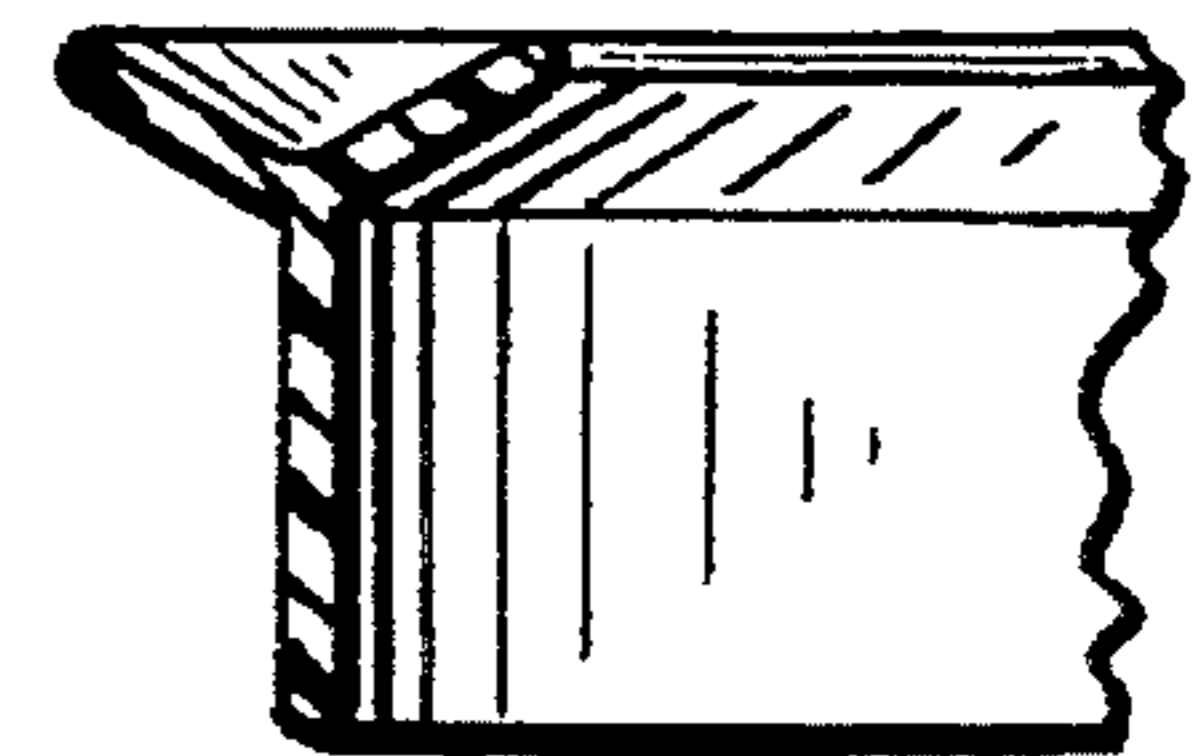


FIG. 5