



US00D364428S

United States Patent [19]

[11] Patent Number: **Des. 364,428**

Caron

[45] Date of Patent: ****Nov. 21, 1995**

[54] **GAMING MACHINE**

5,370,391 12/1994 Gahilzendege et al. 273/112 X

[76] Inventor: **Erich Caron**, 623 Dorsey Rd., Bel Air, Md. 21014

Primary Examiner—Prabhakar G. Deshmukh
Attorney, Agent, or Firm—Rodgers & Rodgers

[**] Term: **14 Years**

[57] CLAIM

[21] Appl. No.: **32,720**

The ornamental design for a gaming machine, as shown and described.

[22] Filed: **Dec. 27, 1994**

DESCRIPTION

[52] U.S. Cl. **D21/12**

[58] Field of Search D21/12, 8, 7, 1;
273/112, 109, 118 R, 120 R, 119 R, 108

FIG. 1 is a perspective view of a gaming machine showing my new design;

FIG. 2 is a left side elevational view thereof;

FIG. 3 is a right side elevational view thereof;

FIG. 4 is a front elevational view thereof;

FIG. 5 is a rear elevational view thereof; and,

FIG. 6 is a bottom plan view thereof, the top being a flat surface devoid of ornamentation.

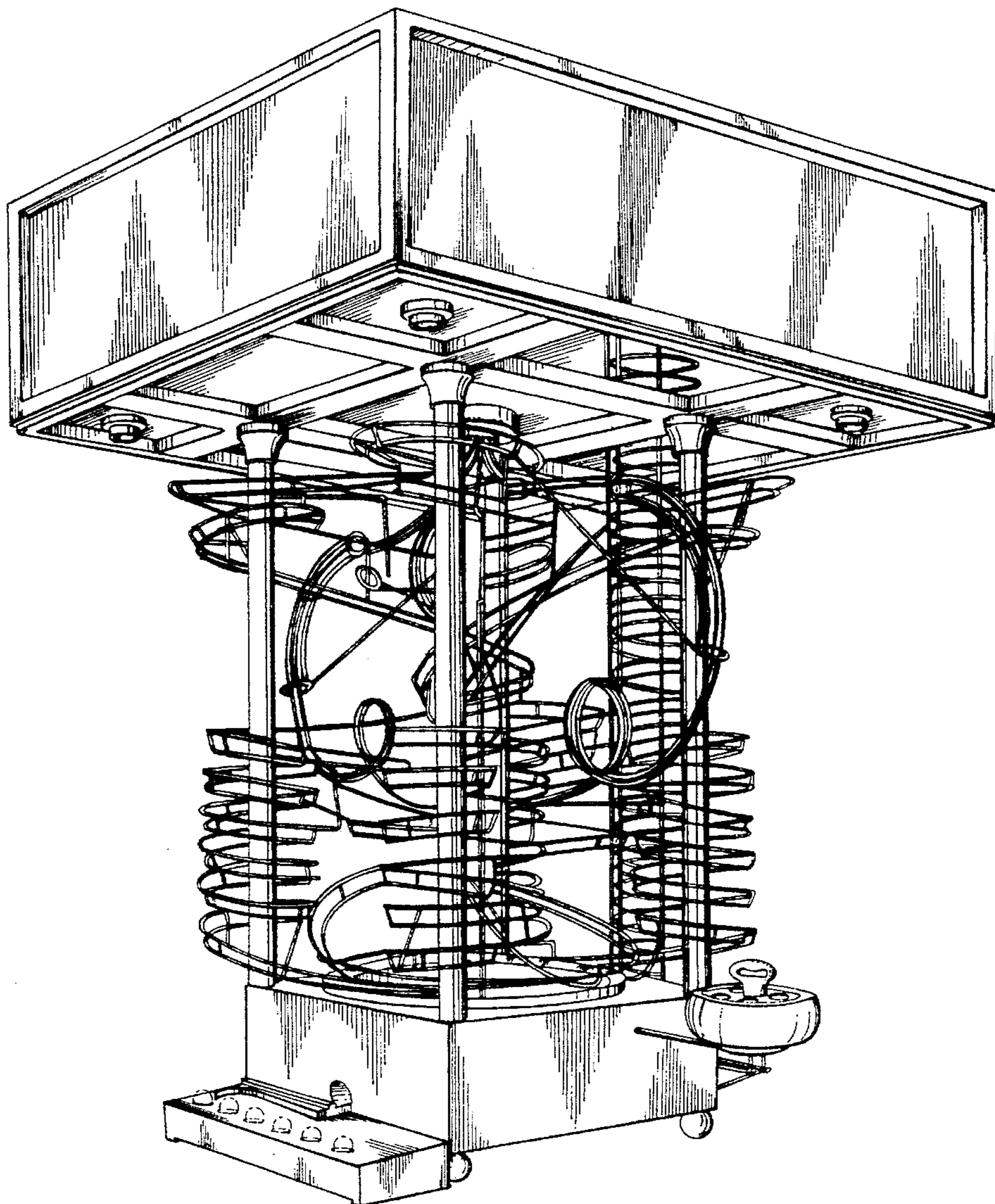
The broken line showing of billiard balls is for illustrative purposes only and forms no part of the claim.

[56] References Cited

U.S. PATENT DOCUMENTS

D. 213,787	4/1969	Musser	D21/12 X
D. 256,811	9/1980	Crawford	D21/8 X
478,799	7/1892	Marsden	273/112
3,028,704	4/1962	Rumbaugh	273/112
3,135,512	6/1964	Taylor	273/112
5,312,285	5/1994	Rieber et al.	273/118 R X

1 Claim, 6 Drawing Sheets



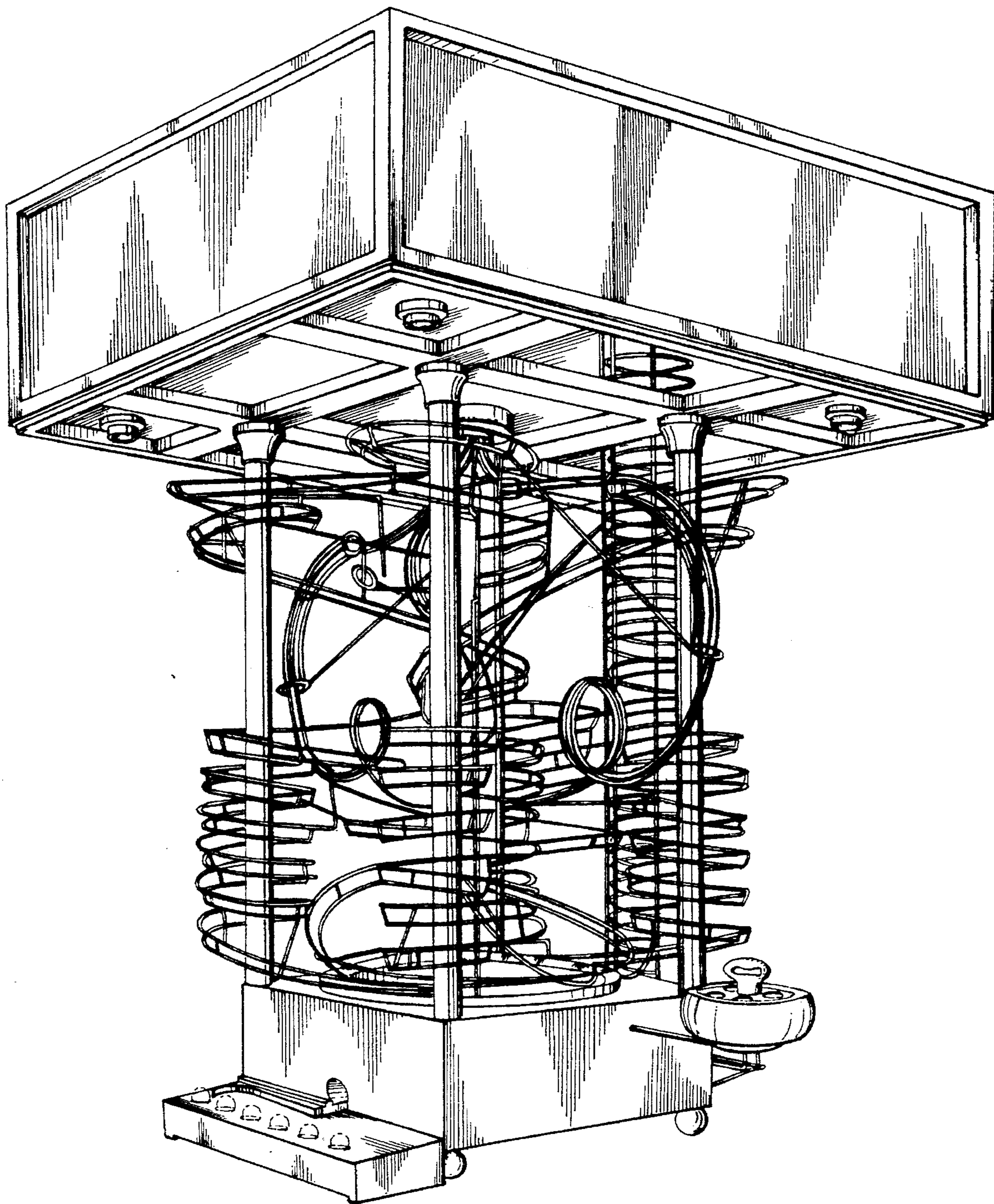


FIG. 1

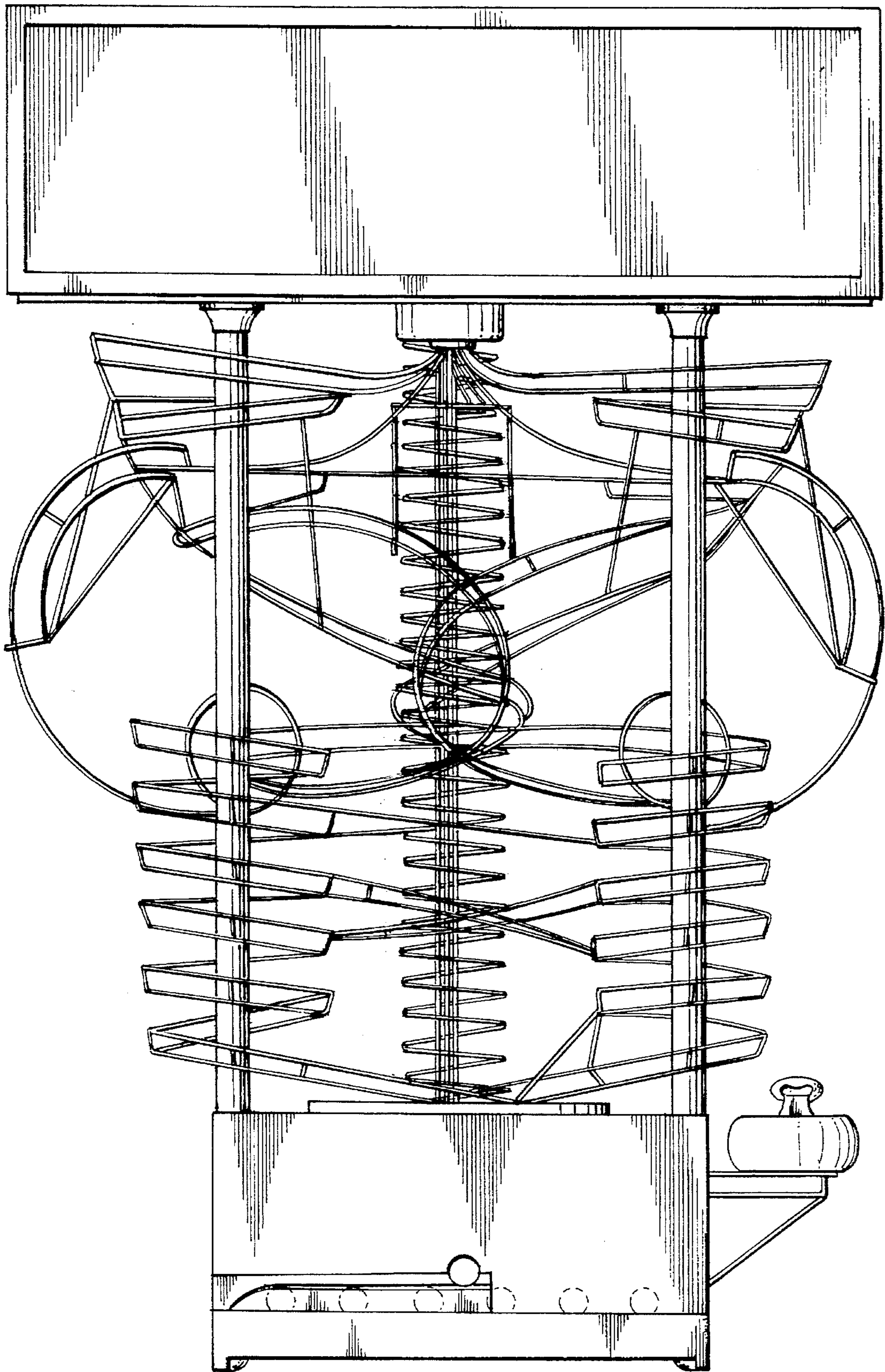


FIG. 2

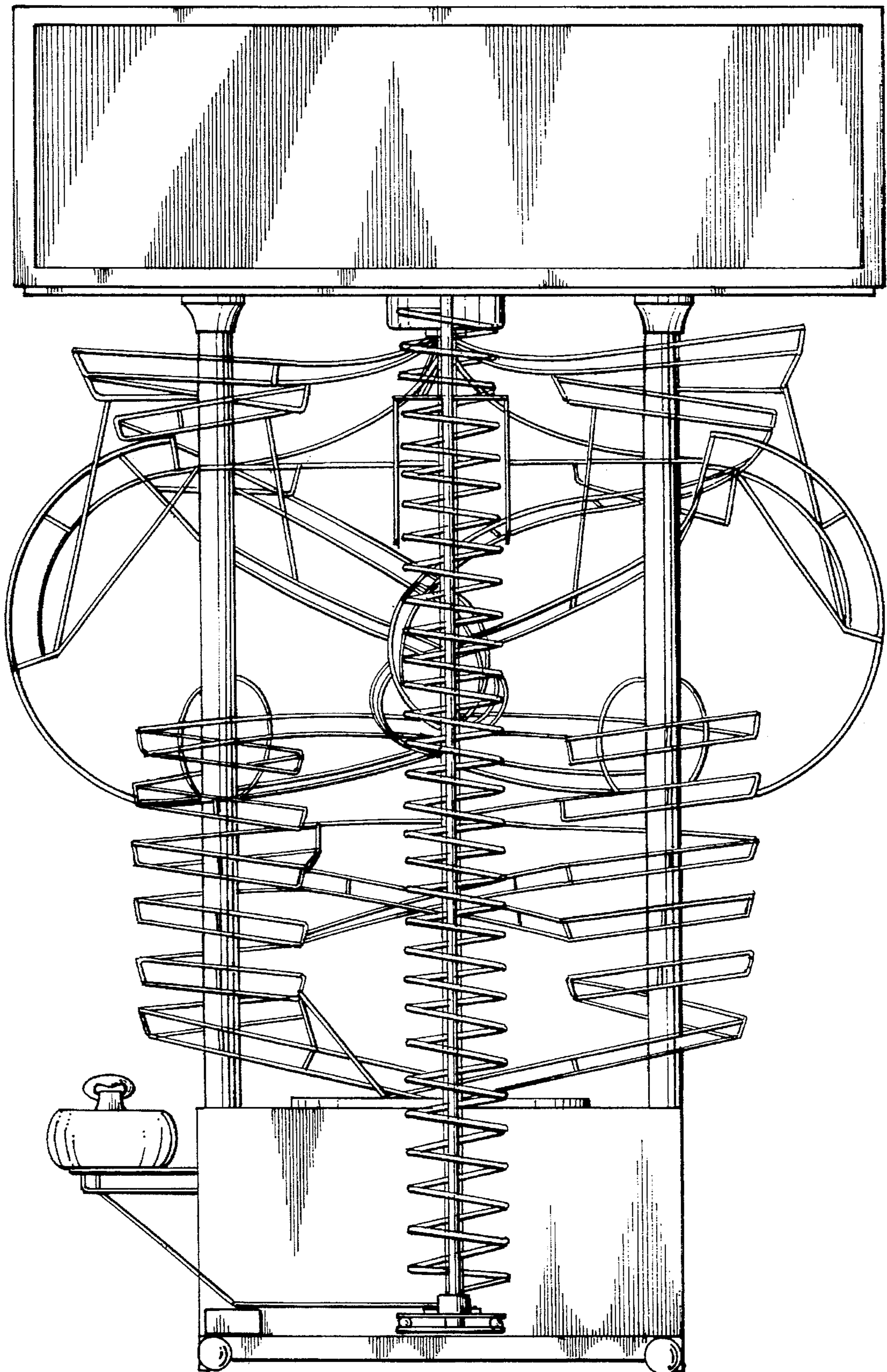


FIG. 3

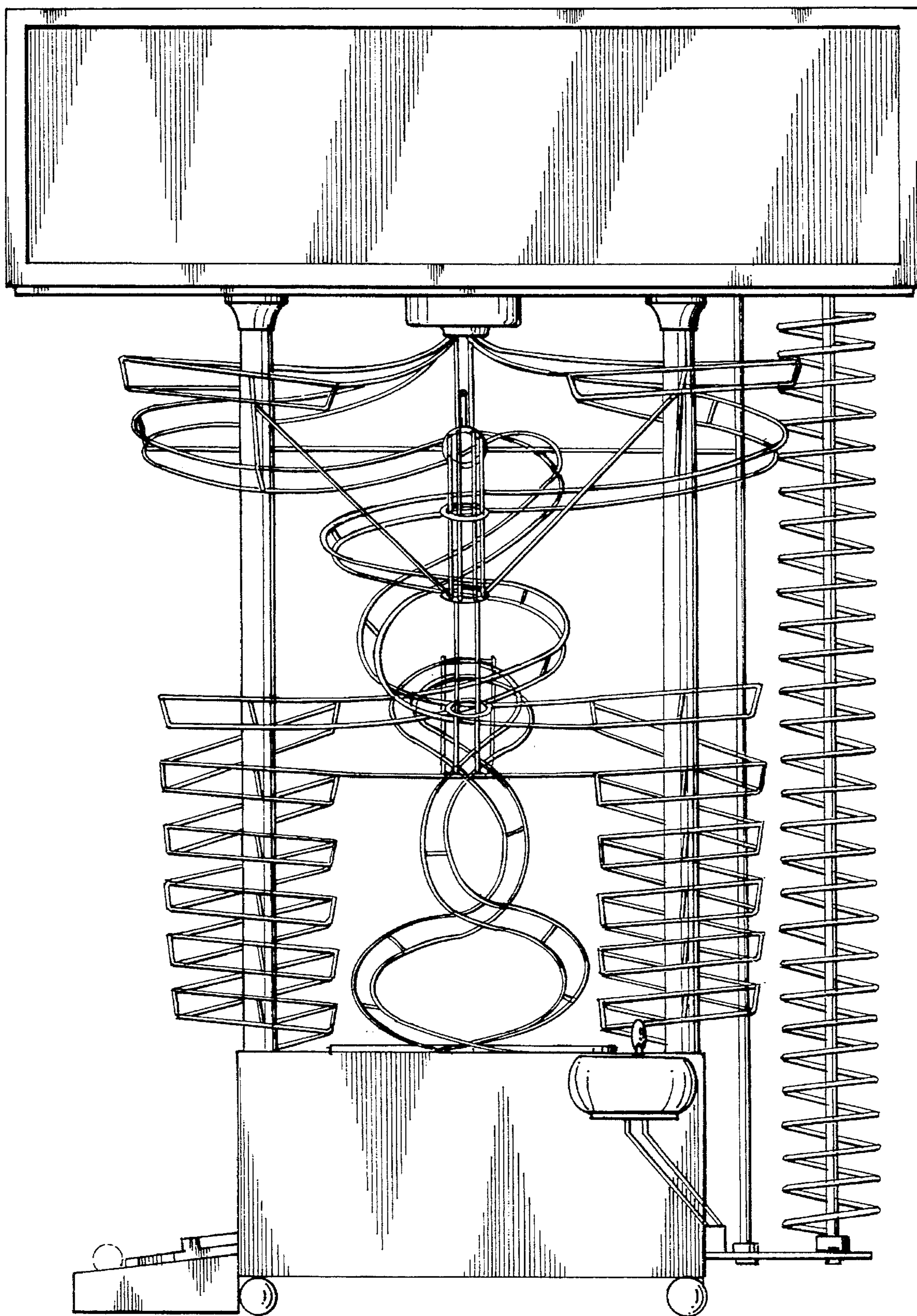


FIG. 4

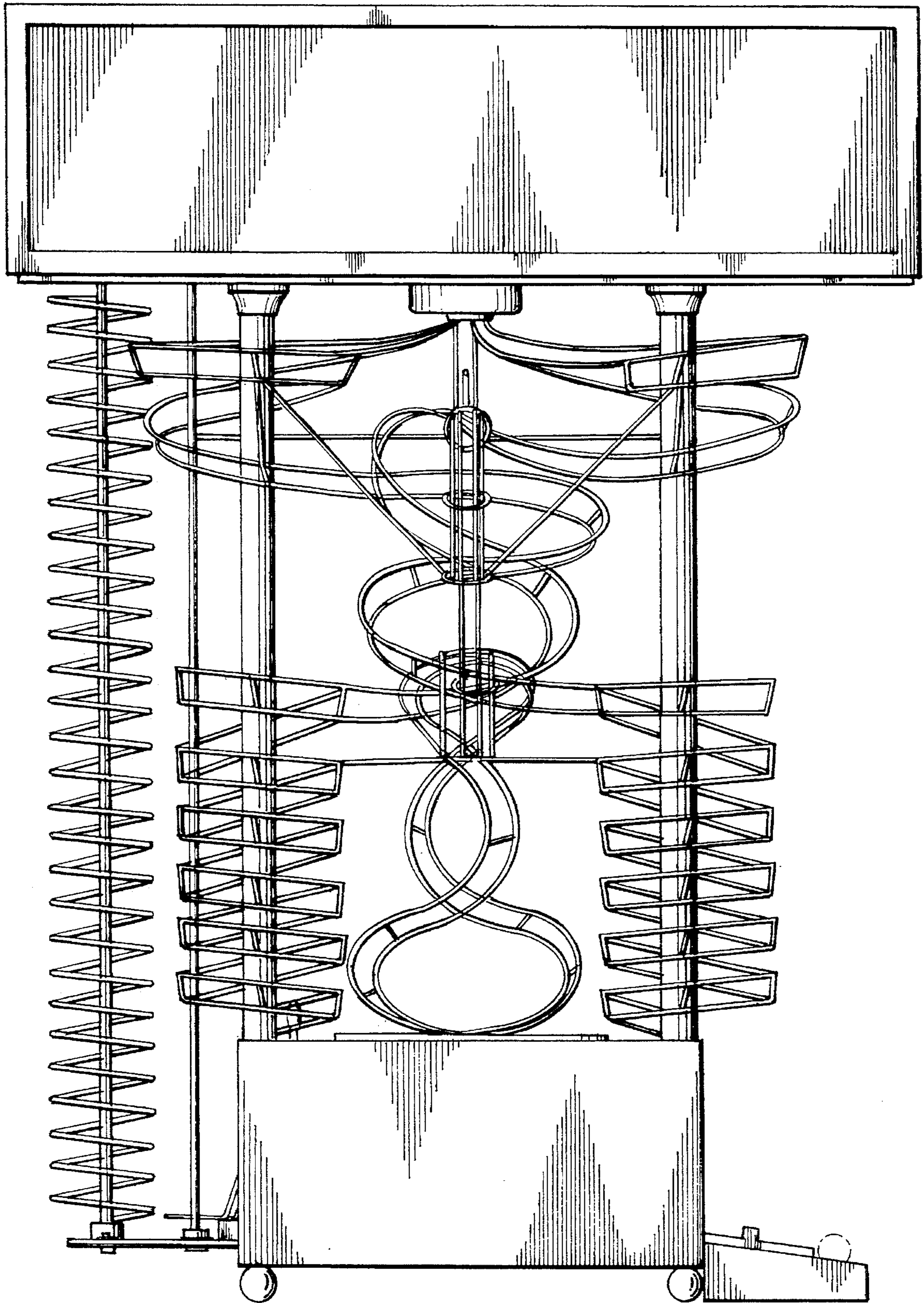


FIG. 5

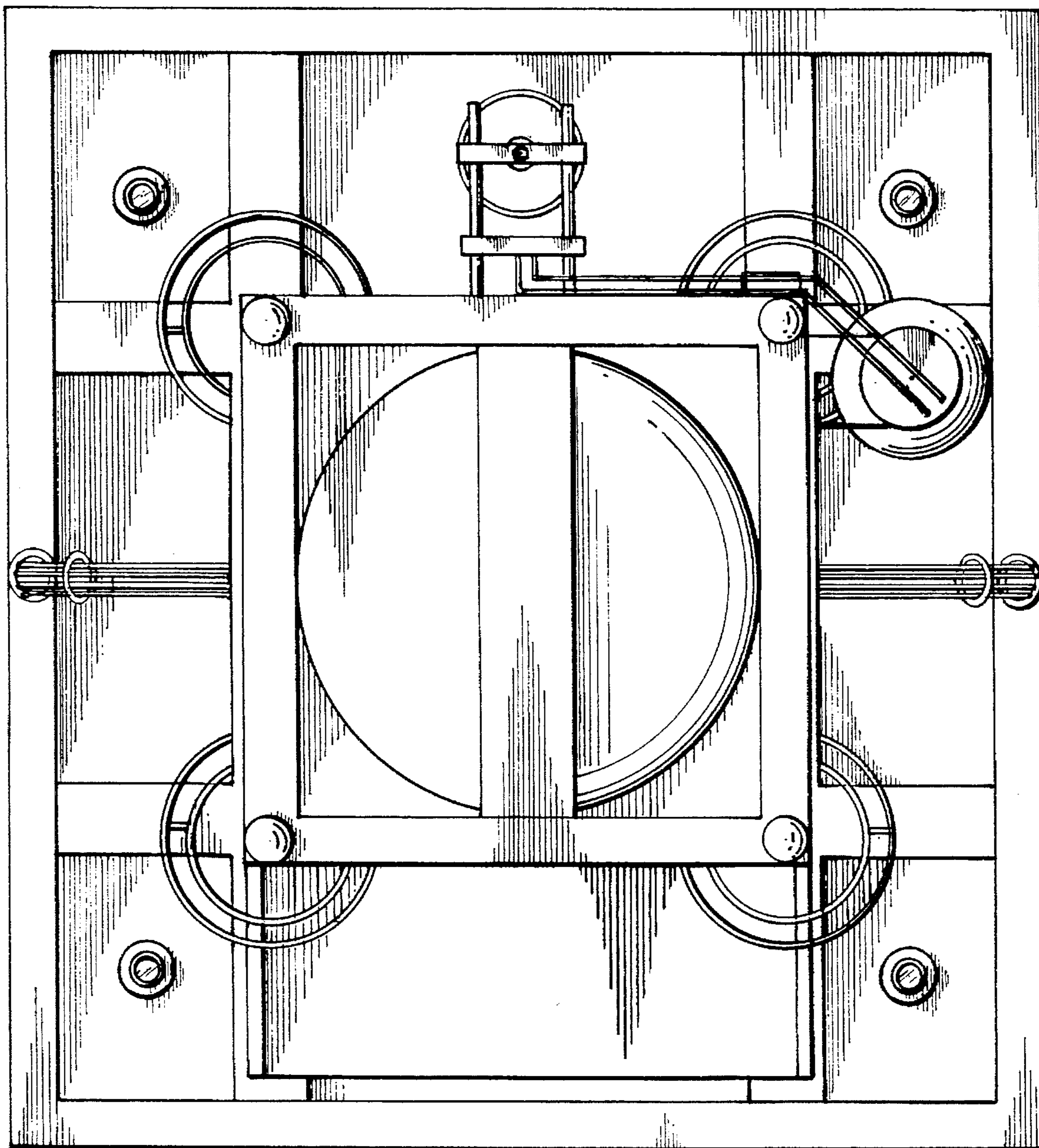


FIG. 6