



US00D364426S

United States Patent [19] Bucaccio

[11] Patent Number: **Des. 364,426**
[45] Date of Patent: ****Nov. 21, 1995**

[54] **FILE BOX**

- [75] Inventor: **Tom Bucaccio**, Grant, Fla.
- [73] Assignee: **Rubbermaid Office Products Inc.**,
Maryville, Tenn.
- [**] Term: **14 Years**
- [21] Appl. No.: **36,378**
- [22] Filed: **Mar. 20, 1995**
- [52] U.S. Cl. **D19/75**; D19/86; D19/90;
D6/634; D3/273; D3/294
- [58] Field of Search D9/420, 423, 432;
D3/201, 206, 284, 273, 281, 294, 291,
905; D6/631, 632, 633, 634; D19/65, 75,
76, 77, 78, 90, 91, 99, 100; 206/425, 444,
215; 211/10, 11, 13, 45, 50; 312/183-185

[56] **References Cited**

U.S. PATENT DOCUMENTS

D. 217,080	3/1970	Fleming	D3/281
D. 221,264	7/1971	Brown	D19/90
D. 249,393	9/1978	Winther	D3/291
D. 249,590	9/1978	Berkman	D6/631
D. 266,544	10/1982	Crutchfield	D3/281
D. 284,526	7/1986	Freeman	D3/284
D. 304,461	11/1989	Foran	D19/86
D. 326,559	6/1992	Szablak et al.	D3/281
D. 327,292	6/1992	Klodt	D19/86 X
D. 328,313	7/1992	Evenson et al.	D19/75
D. 329,747	9/1992	Embree	D3/294
D. 330,913	11/1992	Hiomori	D19/75
D. 338,238	8/1993	Aaldenberg et al.	D19/75
D. 342,609	12/1993	Brightbill	D3/294
D. 344,406	2/1994	Nemeth	D6/634
4,325,595	4/1982	Solomon	312/183
4,848,574	7/1989	Murphy et al.	206/444

OTHER PUBLICATIONS

Catalog page, File box; Esselte Pendaflex Corporation, Clinton Road Garden City, N.Y. 11530. Publication date Jun., 1991.

Label, Jumbo file; Dayton Hudson Corporation, Minneapolis, Minn. 55402. Published at least as early as Mar., 1993.

Label, File box; Fellowes, address unknown. Published at least as early as Mar., 1993.

Catalog page, File box; W. T. Rogers, a Member of the Newell Office Products Group, 2514 Fish Hatchery Road, Madison, Wis. 53713-2407. Publication date 1993.

Label, Super file; Sterling, a Member of the Newell Office Products Group, 2514 Fish Hatchery Road, Madison, Wis. 53713-2407. Published at least as early as Mar., 1993.

Label, Multi-File; Sterling, a Member of the Newell Office Products Group, 2514 Fish Hatchery Road, Madison, Wis. 53713-2407. Published at least as early as Mar., 1993.

Price list, File box, Trav-L-File, Inc., 8855 Cypress Woods Drive, Olive Branch, Miss. 38654. Published at least as early as Mar., 1993.

Catalog page, File boxes; Eldon-Rubbermaid Office Products, Rubbermaid Office Products Group Inc., 1130 East 230th Street, Carson, Calif. 90745-5094. Publication date 1992.

Primary Examiner—Martie Thompson
Attorney, Agent, or Firm—Richard B. O'Planick; Lisa B. Riedesel

[57] **CLAIM**

The ornamental design for a file box, as shown and described.

DESCRIPTION

FIG. 1 is a top left front perspective view of a file box showing my new design;

FIG. 2 is a front elevational view thereof;

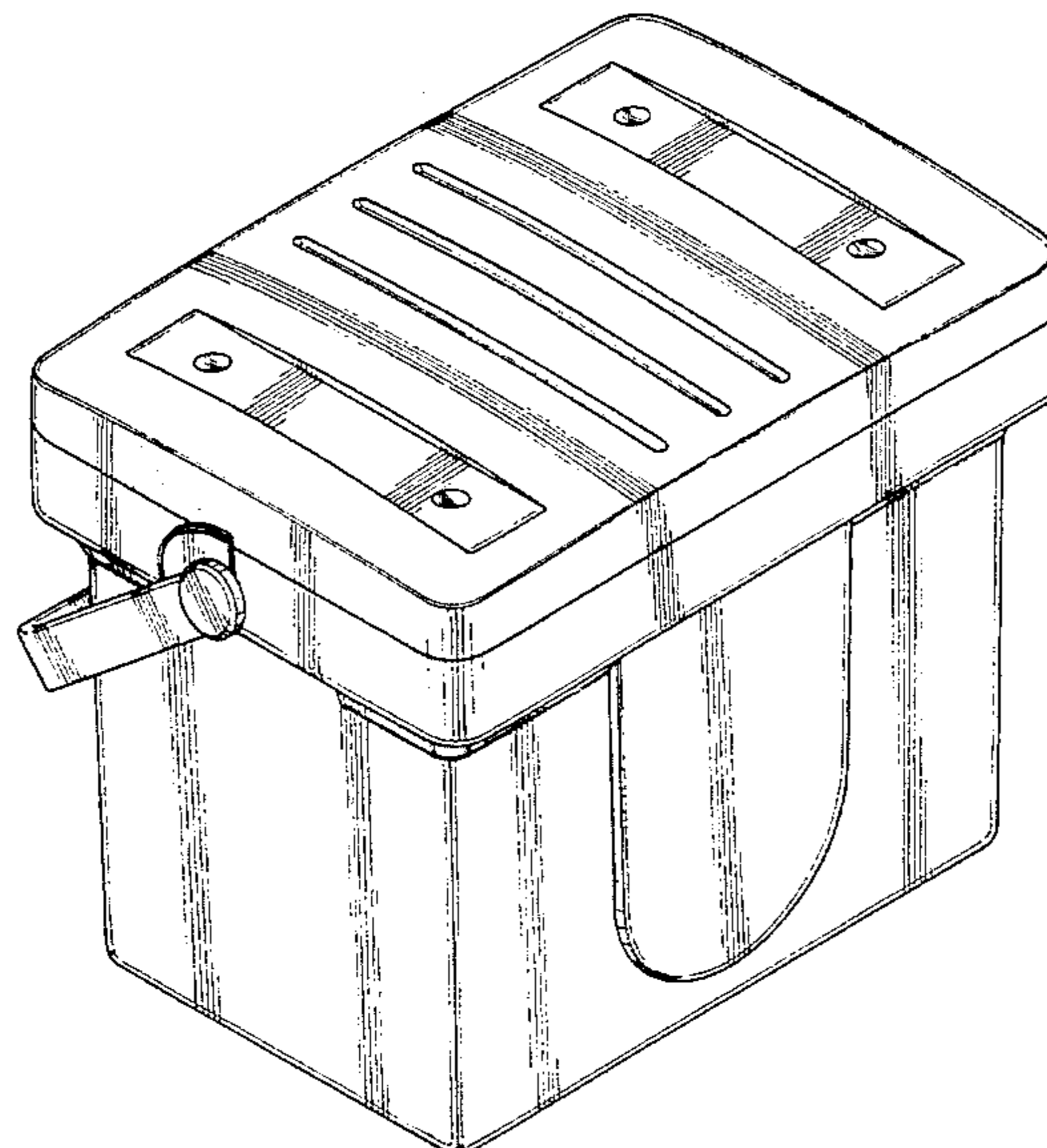
FIG. 3 is a left side elevational view thereof; the right side elevational view being a mirror image;

FIG. 4 is a rear elevational view thereof;

FIG. 5 is a top plan view thereof; and,

FIG. 6 is a bottom plan view thereof.

1 Claim, 6 Drawing Sheets



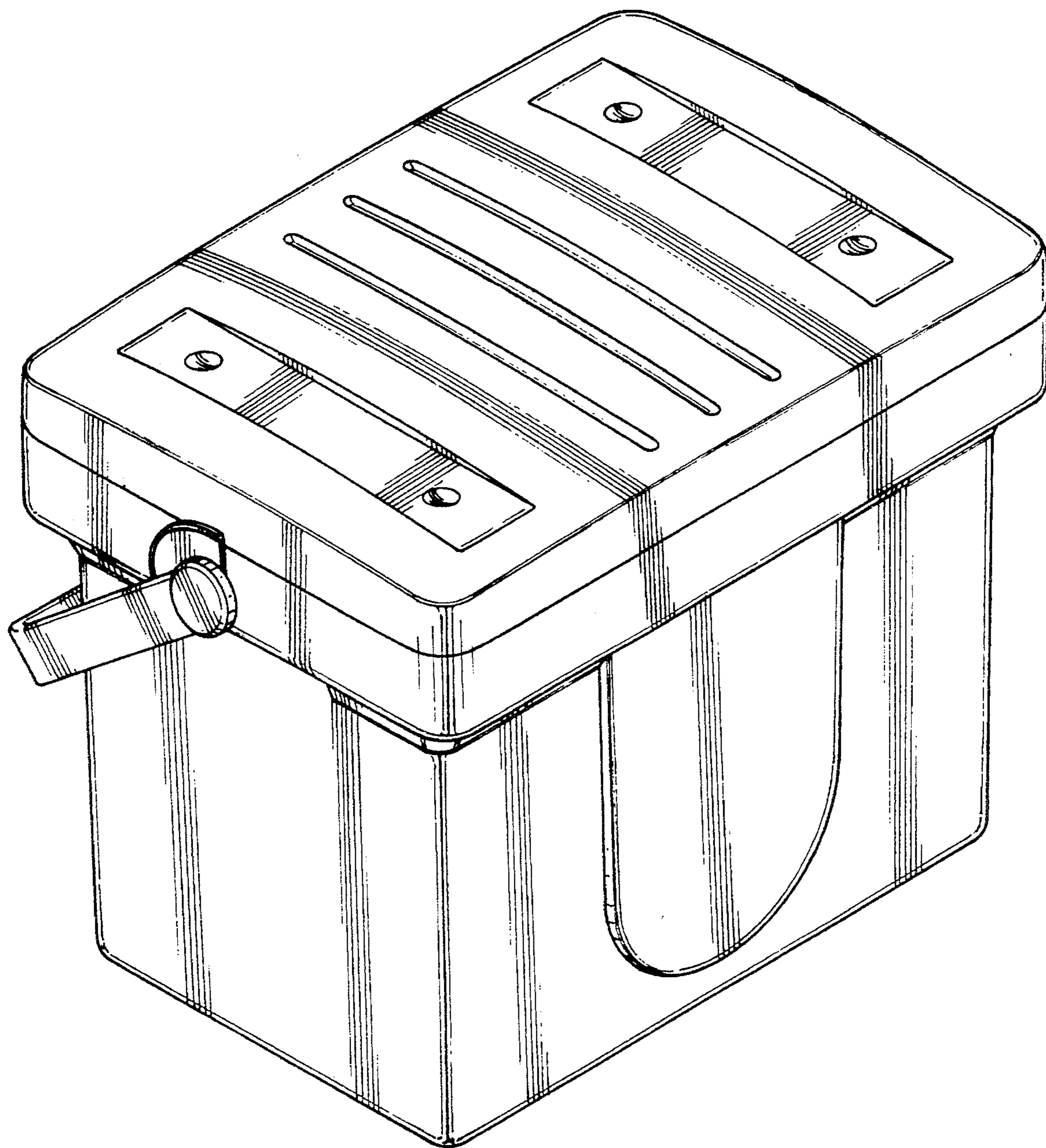
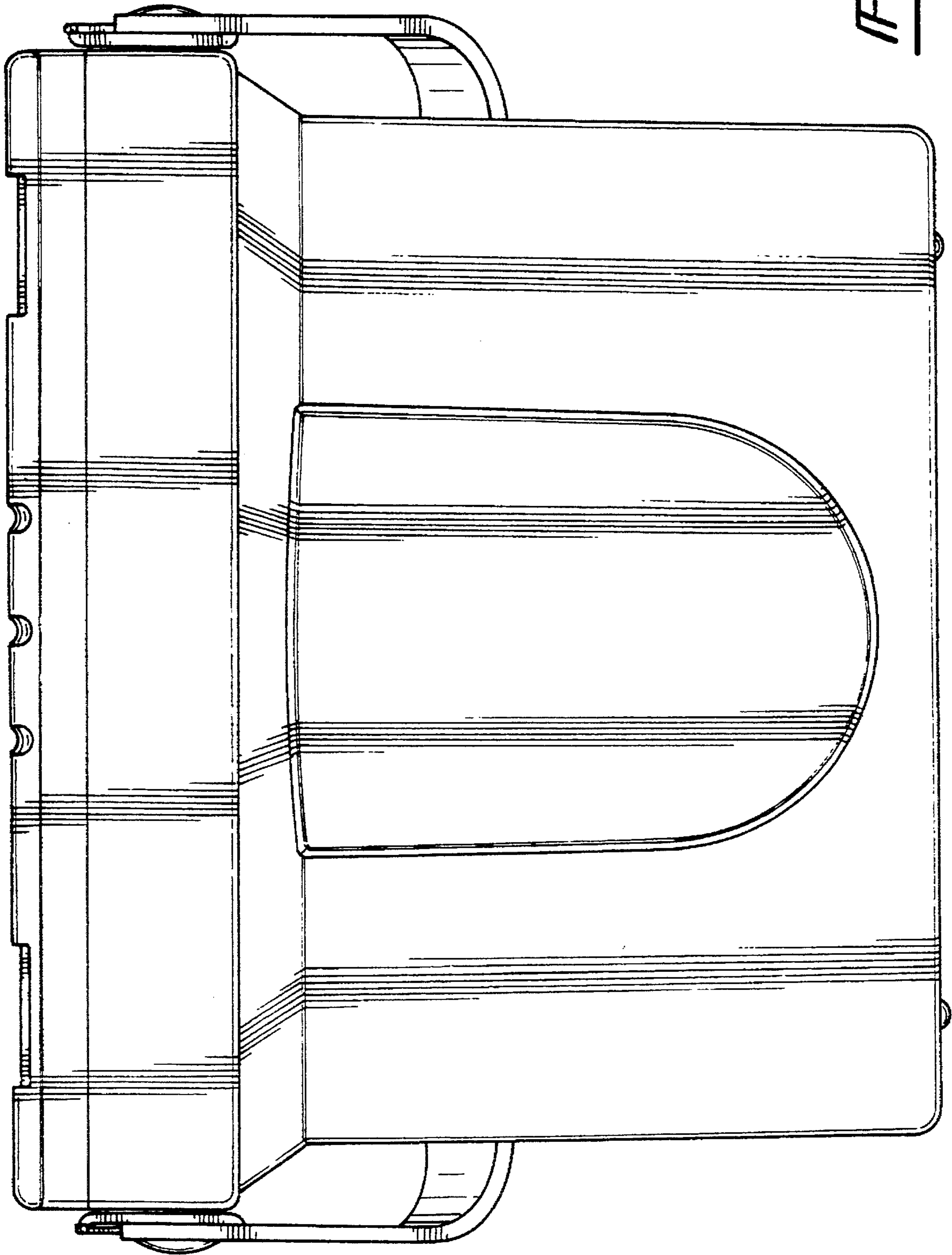


Fig-1

Fig-2



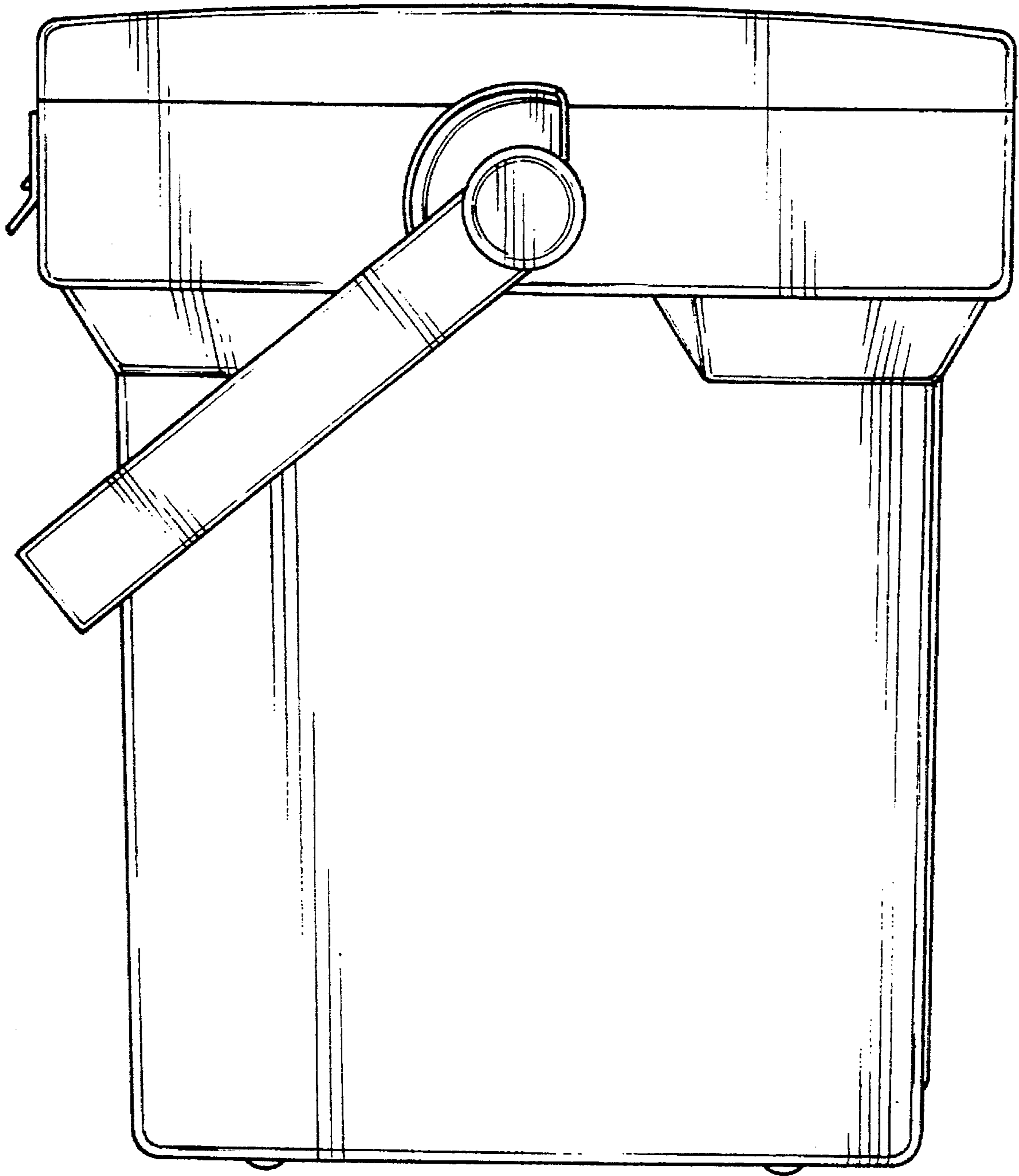


Fig-3

Fig-4

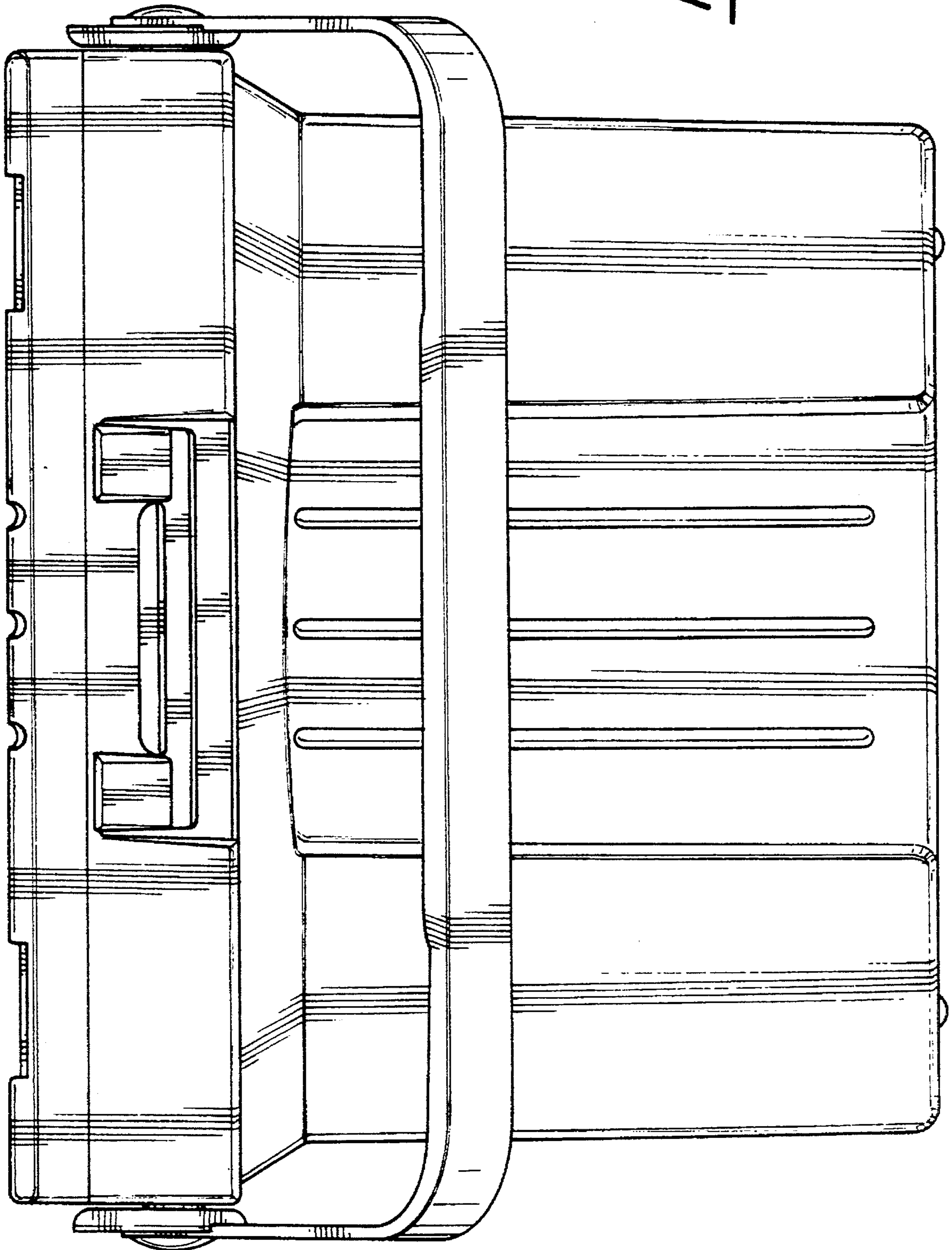


Fig-5

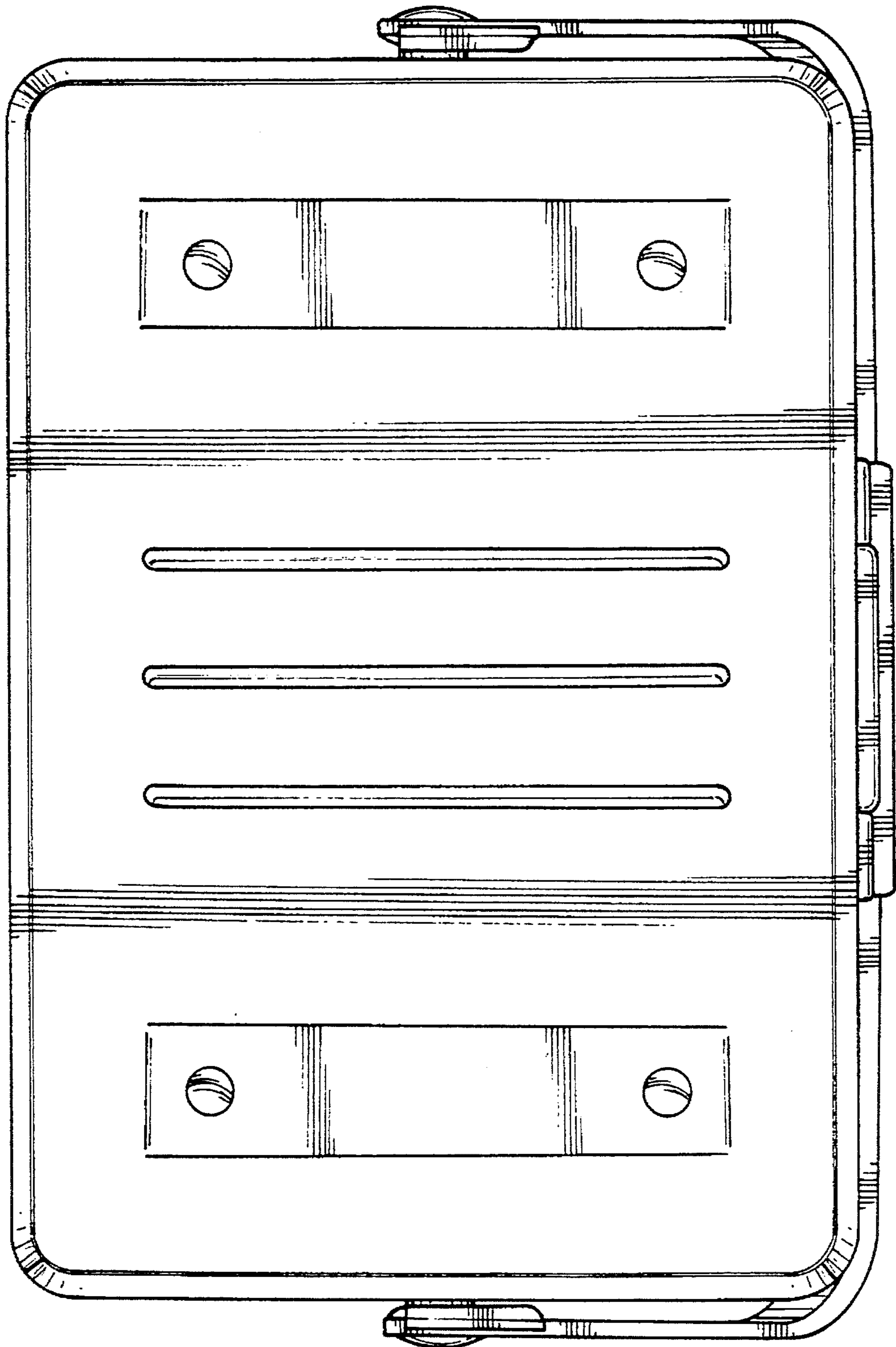


Fig-6

