



US00D364423S

United States Patent [19]

[11] Patent Number: **Des. 364,423**

Edgerley et al.

[45] Date of Patent: ****Nov. 21, 1995**

- [54] **PEN**
- [75] Inventors: **David A. Edgerley; Ming K. Leung,**
both of London, England
- [73] Assignee: **The Gillette Company, Boston, Mass.**
- [**] Term: **14 Years**
- [21] Appl. No.: **22,108**
- [22] Filed: **Apr. 29, 1994**
- [52] U.S. Cl. **D19/51; D19/50; D19/56;**
D19/57
- [58] **Field of Search** **D19/35, 36, 41-51,**
D19/54-58, 81-85; 401/99, 100, 209, 196,
202, 243-247

- D. 324,070 2/1992 Suzuki .
- D. 325,221 4/1992 Ito .
- D. 326,868 6/1992 Nitta D19/56 X
- D. 329,660 9/1992 Yamanaka .
- D. 329,874 9/1992 Cuadrado .
- D. 330,046 10/1992 Cuadrado .
- D. 330,389 10/1992 Katami et al. .
- D. 330,565 10/1992 Dallaire .
- D. 332,627 1/1993 Anavil et al. .
- D. 332,963 2/1993 Anavil et al. .
- D. 335,141 4/1993 Katami et al. .
- D. 335,142 4/1993 Katami et al. .
- D. 335,142 4/1993 Katami et al. D19/57
- D. 337,350 7/1993 Wong .
- D. 339,607 9/1993 White et al. D19/48
- D. 339,822 9/1993 Möck et al. .
- D. 339,822 9/1993 Möck et al. D19/48
- D. 345,577 3/1994 Höhner .
- D. 345,578 3/1994 Zier D19/48

[56] **References Cited**

U.S. PATENT DOCUMENTS

- D. 263,318 3/1982 Oka .
- D. 266,856 11/1982 Oka .
- D. 273,400 4/1984 Zierhut .
- D. 273,401 4/1984 Zierhut .
- D. 305,245 12/1989 Chuang .
- D. 306,178 2/1990 Lauper .
- D. 306,775 3/1990 Ichikawa D27/141
- D. 307,443 4/1990 Poisson et al. .
- D. 313,246 12/1990 Porsche .
- D. 316,427 4/1991 Tinz .
- D. 316,726 5/1991 Itoh .
- D. 318,688 7/1991 Regnault .
- D. 318,879 8/1991 Porsche .
- D. 319,844 9/1991 Grötsch et al. .
- D. 319,844 9/1991 Grötsch et al. D19/56 X
- D. 319,845 9/1991 Grötsch et al. .
- D. 320,618 10/1991 Grötsch .
- D. 323,186 1/1992 Clark et al. .
- D. 323,186 1/1992 Clark et al. D19/50 X

Primary Examiner—Martie Thompson
Attorney, Agent, or Firm—Paul I. Douglas

[57] **CLAIM**

The ornamental design for a pen, as shown.

DESCRIPTION

FIG. 1 is a left front perspective view of a pen showing our new design;
 FIG. 2 is a front elevational view;
 FIG. 3 is a left side elevational view;
 FIG. 4 is a right side elevational view;
 FIG. 5 is a rear elevational view;
 FIG. 6 is a bottom plan view;
 FIG. 7 is a top plan view of the cap member with the pen body removed for convenience of illustration; and,
 FIG. 8 is a bottom plan view of FIG. 6.

1 Claim, 3 Drawing Sheets

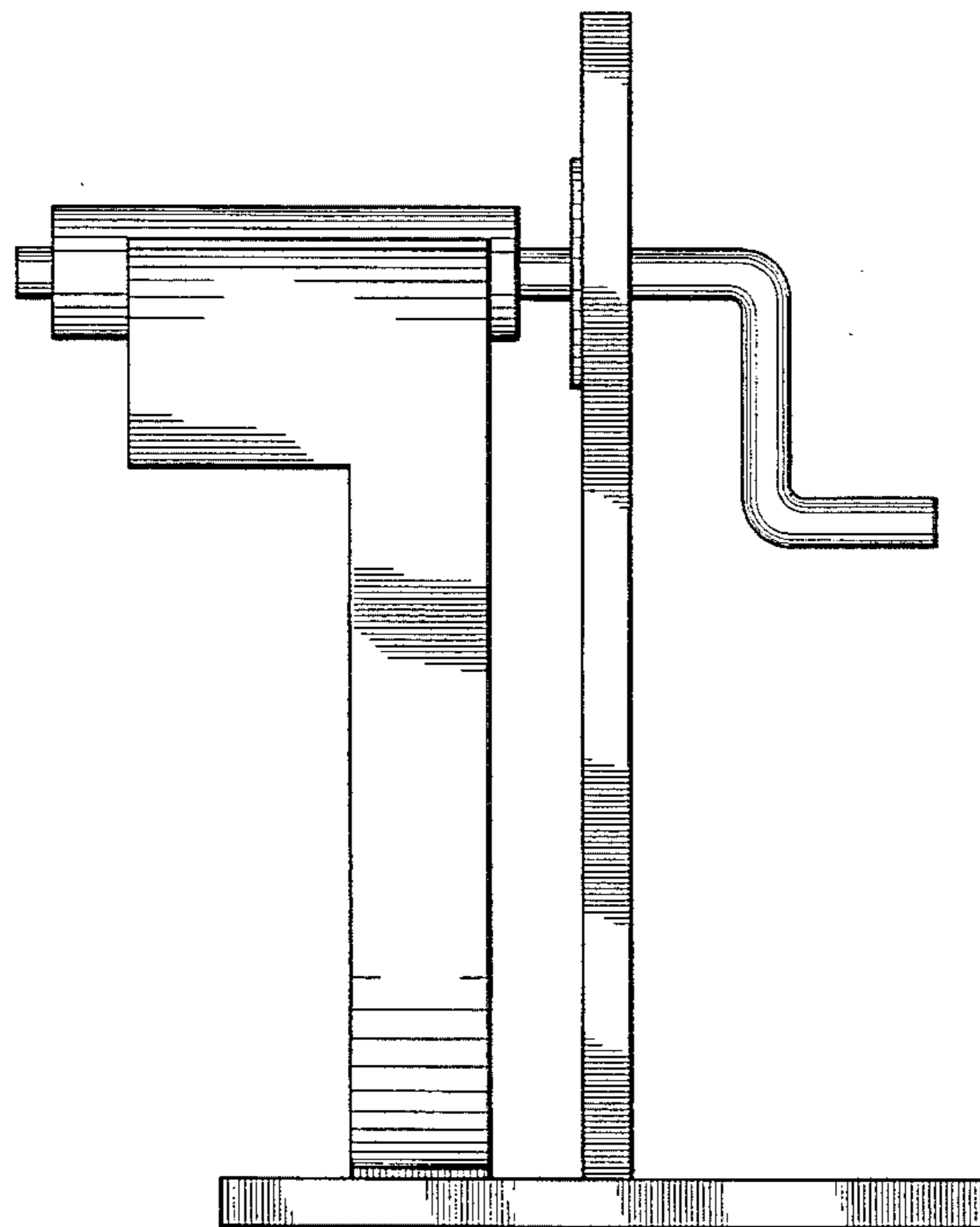


FIG. 1

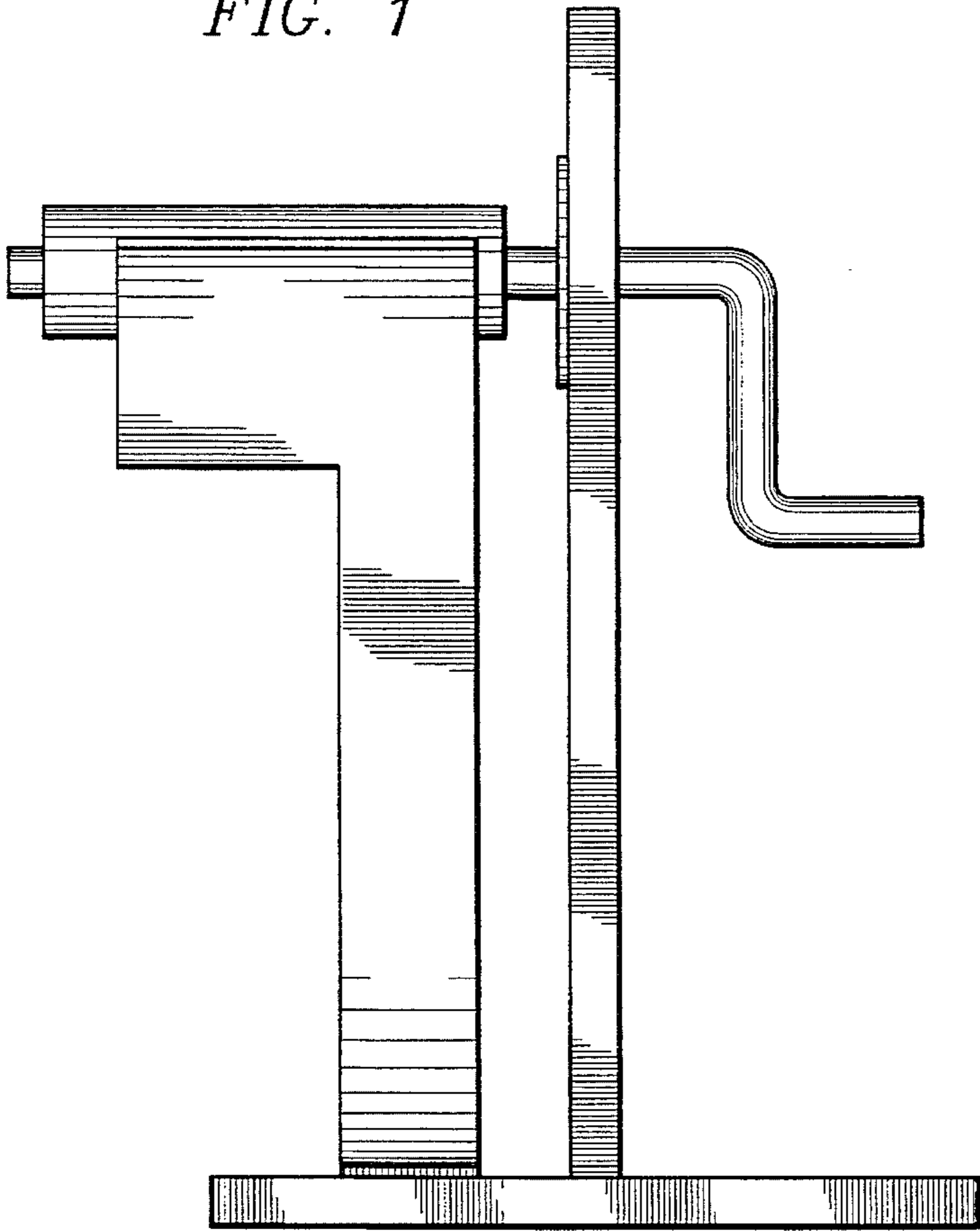


FIG. 2

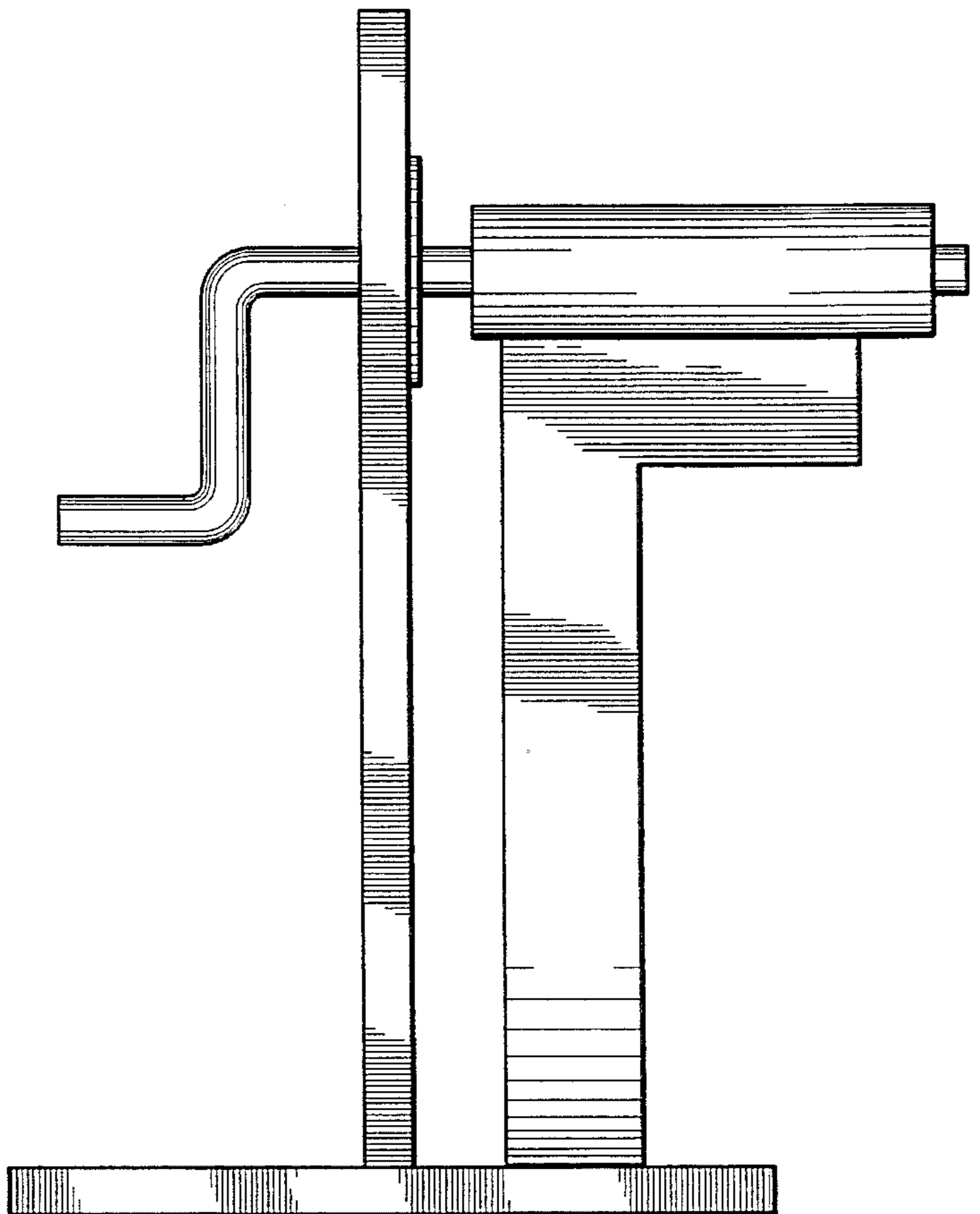


FIG. 3

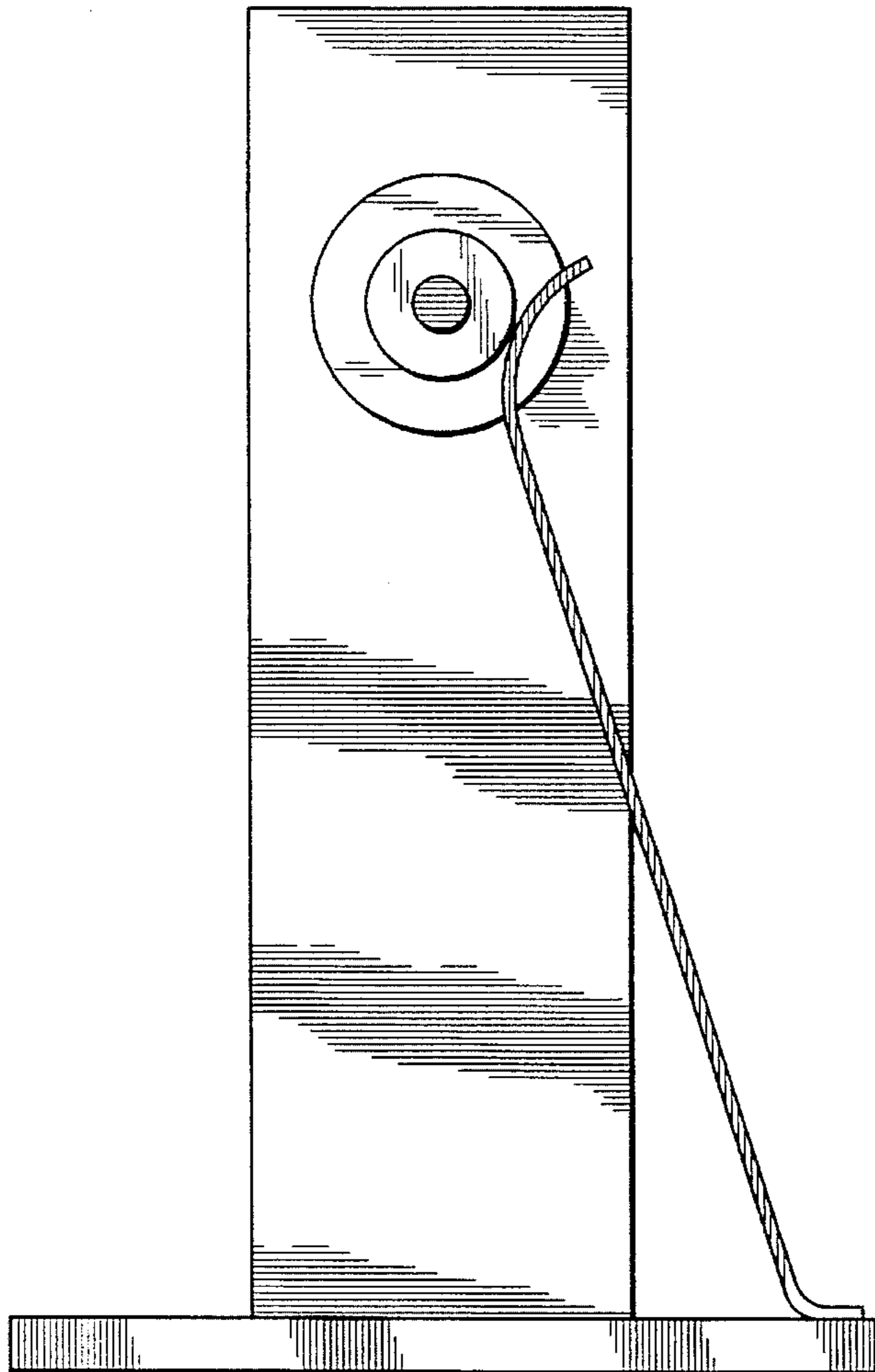


FIG. 4

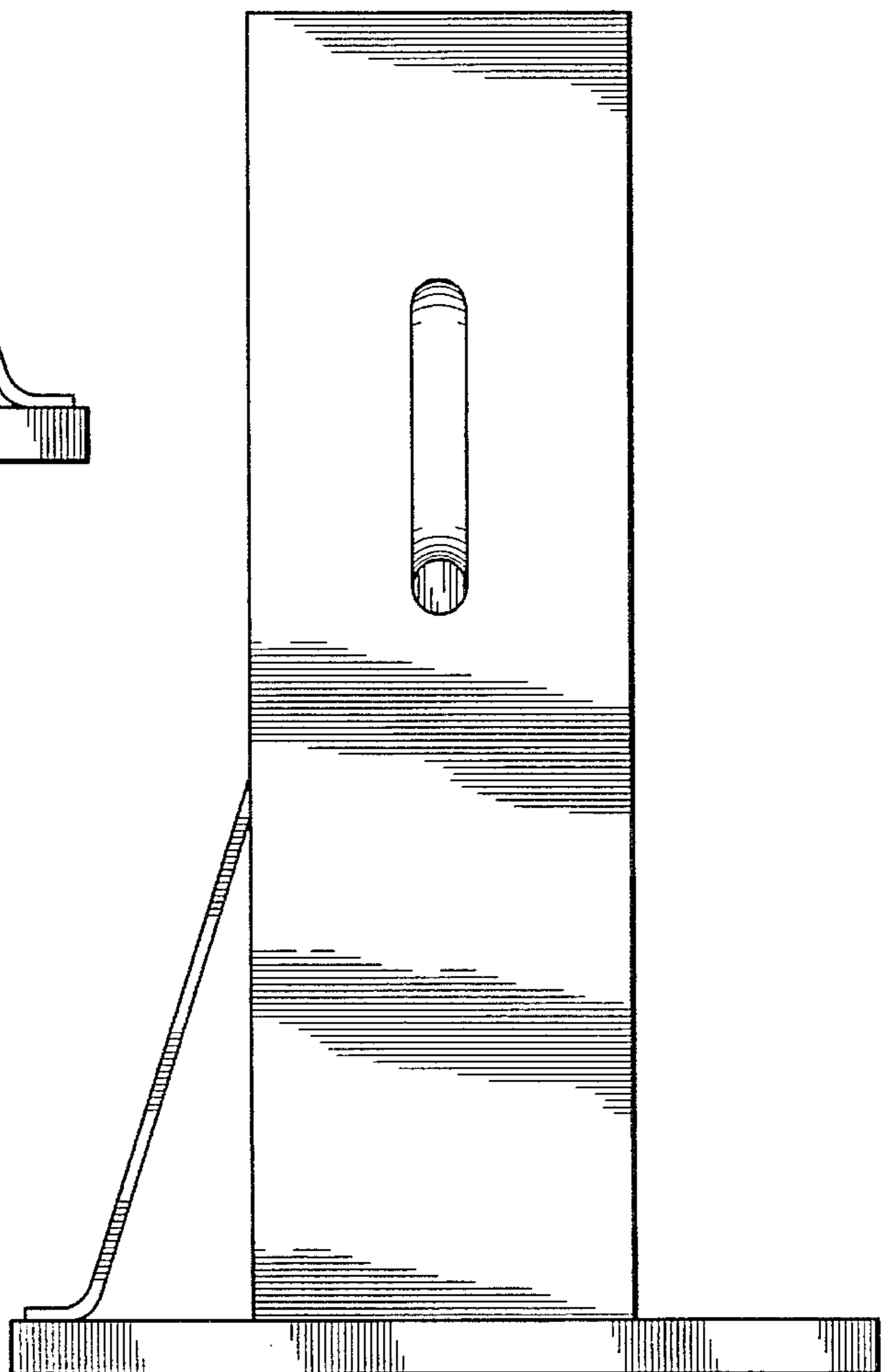


FIG. 5

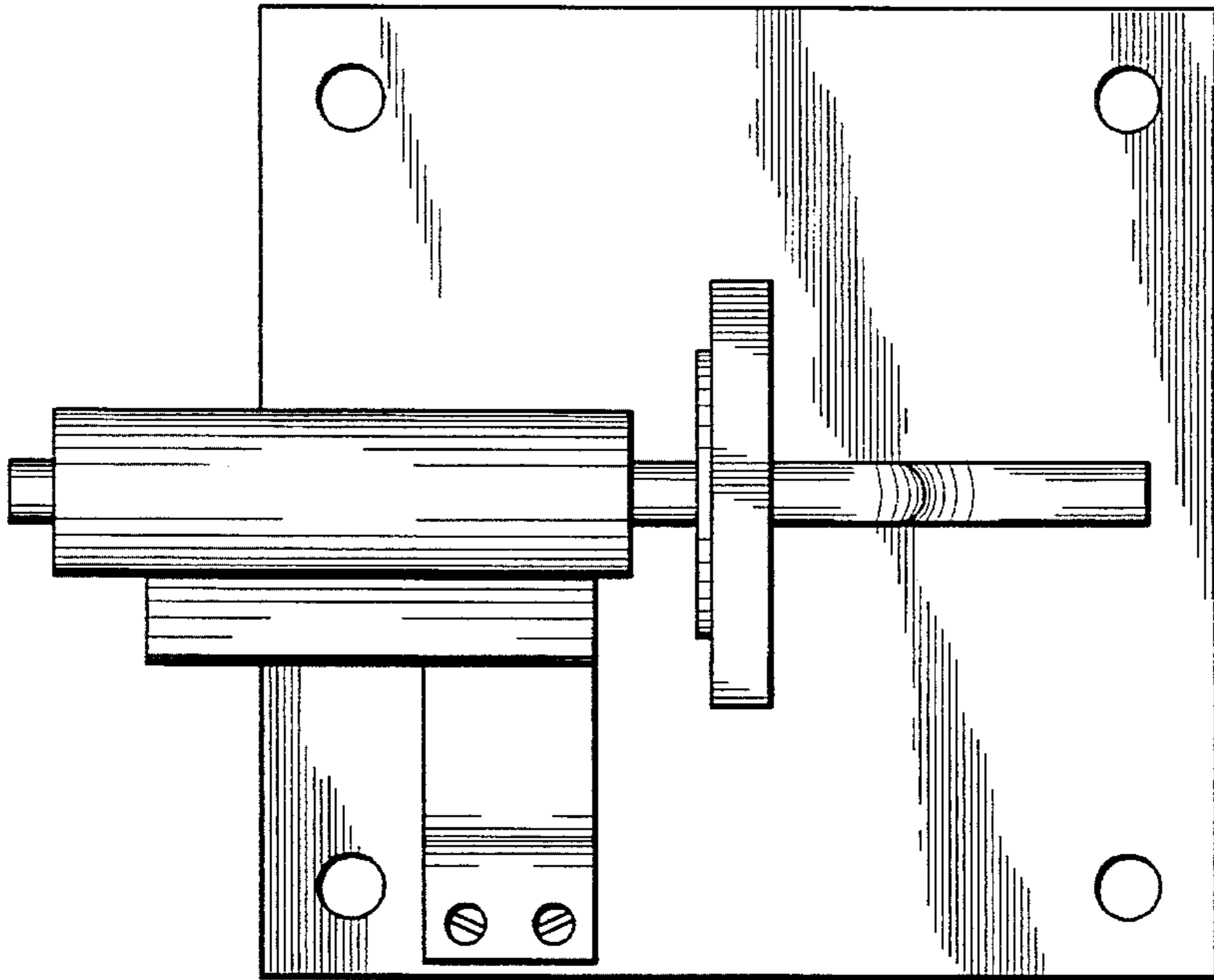
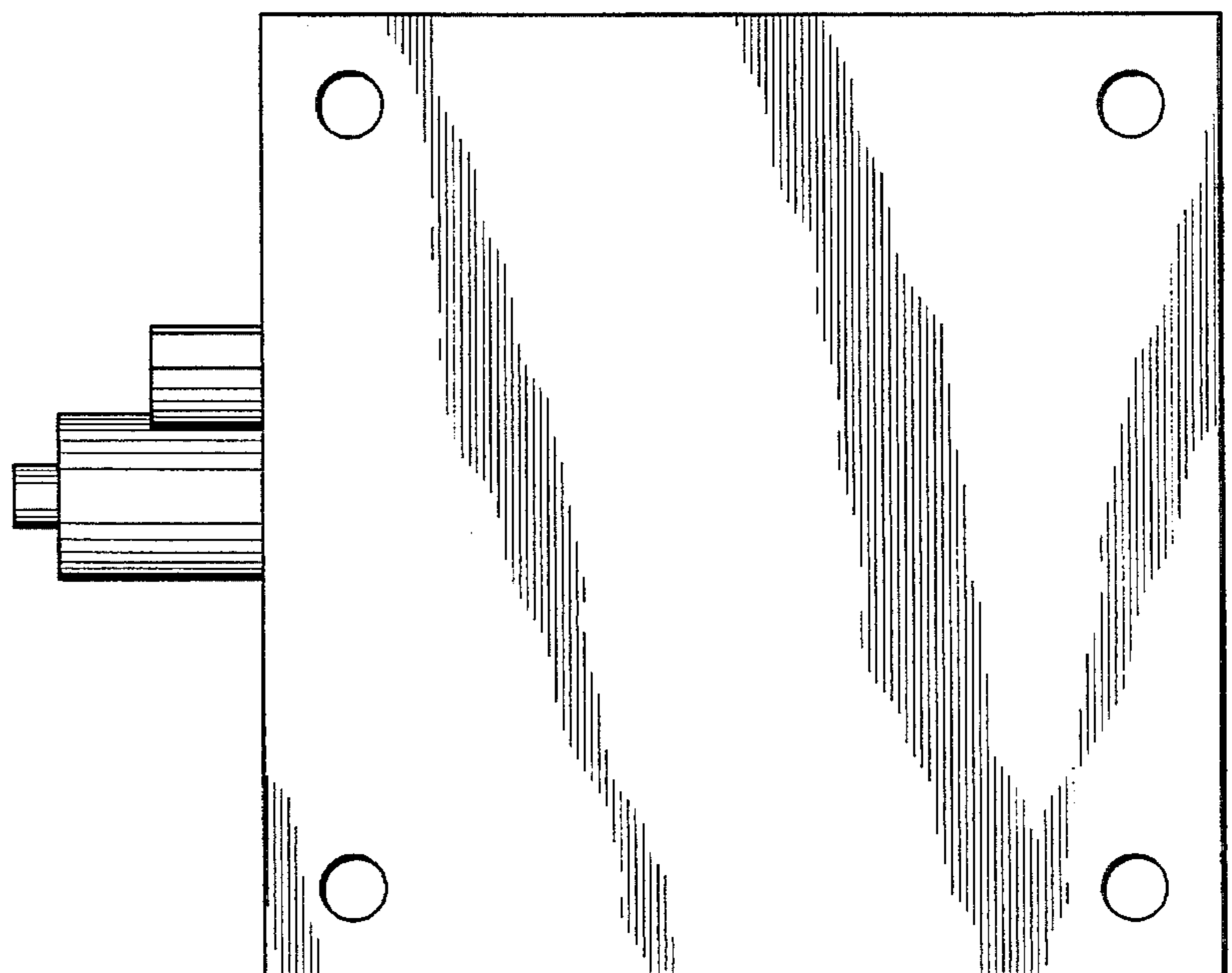


FIG. 6



UNITED STATES PATENT AND TRADEMARK OFFICE
CERTIFICATE OF CORRECTION

PATENT NO. : Des. 364,423

Page 1 of 5

DATED : November 21, 1995

INVENTOR(S) : David A. Edgerley, et al

It is certified that error appears in the above-identified patent and that said Letters Patent is hereby corrected as shown below:

The title page, showing an illustrative figure, should be deleted and substitute therefor the attached title page.

Delete Drawing Sheets 1-3, and substitute therefor the Drawing Sheets consisting of FIGS. 1-8, as shown on the attached pages.

Signed and Sealed this
Twenty-eighth Day of May, 1996

Attest:



BRUCE LEHMAN

Attesting Officer

Commissioner of Patents and Trademarks

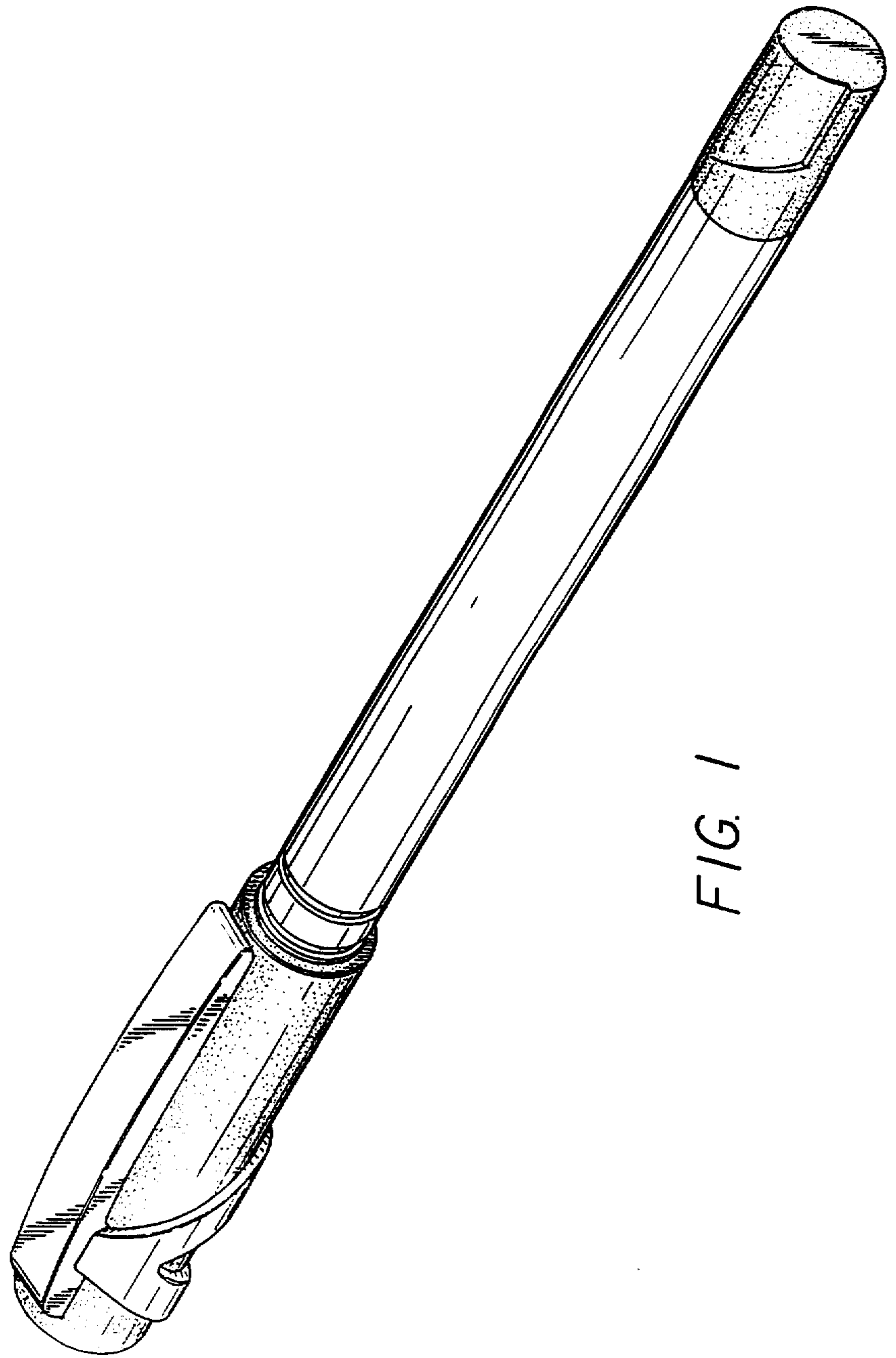


FIG. 1

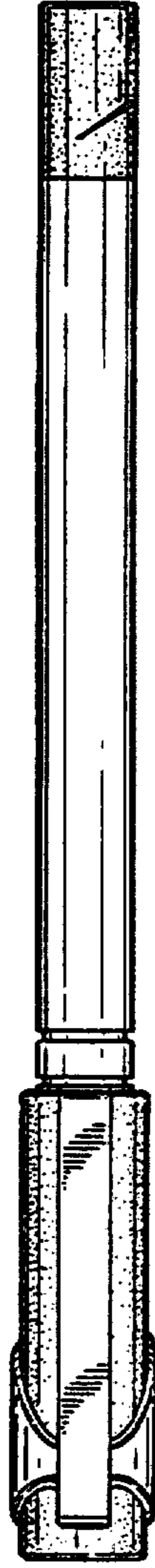


FIG. 2

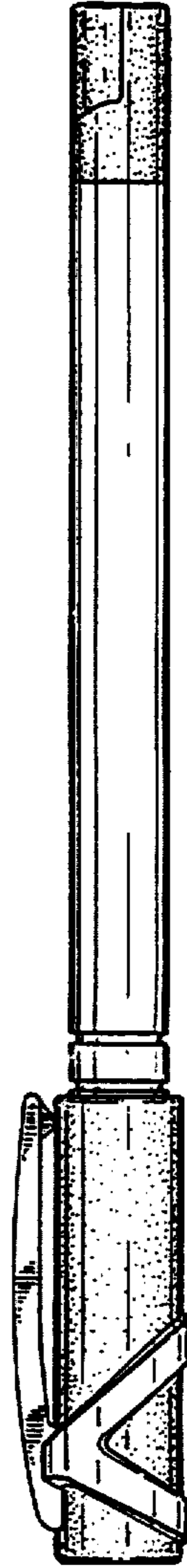


FIG. 3

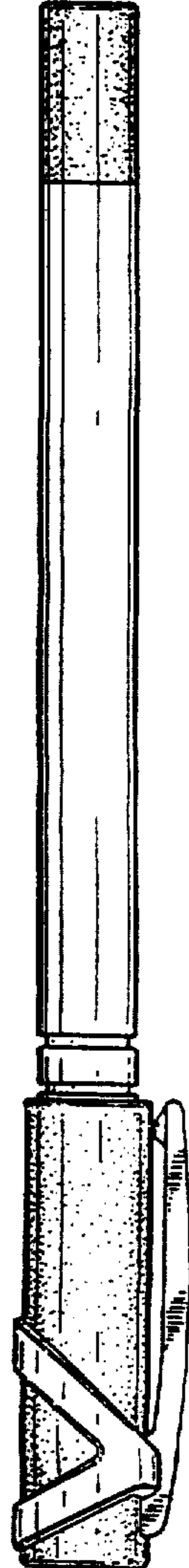


FIG. 4



FIG. 5

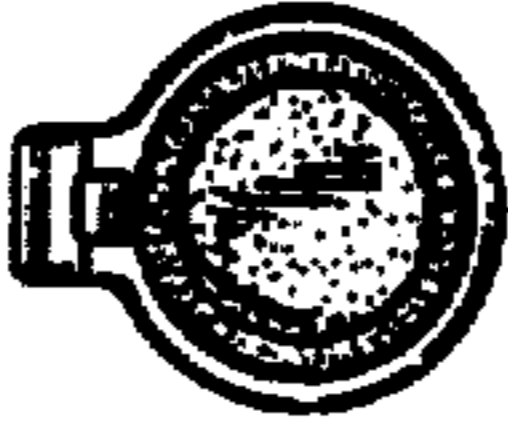


FIG. 6



FIG. 8



FIG. 7