



US00D364417S

United States Patent [19]

[11] Patent Number: Des. 364,417

Winston

[45] Date of Patent: **Nov. 21, 1995

[54] **COMBINED RUBBER STAMP AND DISPLAY CARD**

[76] Inventor: **Jeffrey M. Winston**, 658 W. Shore Dr., Anacortes, Wash. 98221

[**] Term: **14 Years**

[21] Appl. No.: **23,937**

[22] Filed: **Jun. 3, 1994**

[52] U.S. Cl. **D18/15**

[58] Field of Search 101/333-334, 101/327, 405-406, 371-373; D18/15, 17, 18; 118/264-270

3,948,173	4/1976	Barasch	101/333
3,973,495	8/1976	Rowe	101/405
4,004,376	1/1977	Schepp et al.	451/461
4,181,560	1/1980	Maitland	101/333
4,221,164	9/1980	Krulwich	101/109
4,259,568	3/1981	Dynesen	235/1 D
4,367,965	1/1983	Speitel et al.	400/88
4,545,140	10/1985	Winston	40/661
4,817,526	4/1989	Winston	101/329
4,852,203	8/1989	LaBelle	15/210.1
4,896,604	1/1990	Urbanowicz	101/406
4,996,921	3/1991	Hong	101/333
5,228,387	7/1993	Siculan	101/405
5,313,885	5/1994	Winston	101/405

FOREIGN PATENT DOCUMENTS

1279095	11/1961	France .
2063565	7/1971	France .
2307659	11/1976	France .
2514699	10/1981	France .

(List continued on next page.)

OTHER PUBLICATIONS

Stamp Products Resource Book 1994-1995, Clearsnap, Inc., Anacortes, Wash., pp. 44, 48, 50.

Primary Examiner—Cathy Anne MacCormac

Attorney, Agent, or Firm—Hughes, Multer and Schacht

[57] **CLAIM**

The ornamental design for a combined rubber stamp and display card, as shown and described.

DESCRIPTION

FIG. 1 is an perspective view of a combined rubber stamp and display card showing my new design;

FIG. 2 is a front elevational view thereof;

FIG. 3 is an elevational view of a first side thereof, the other side view being identical;

FIG. 4 is a rear elevational view thereof;

FIG. 5 is a top plan view thereof; and,

FIG. 6 is a bottom view thereof.

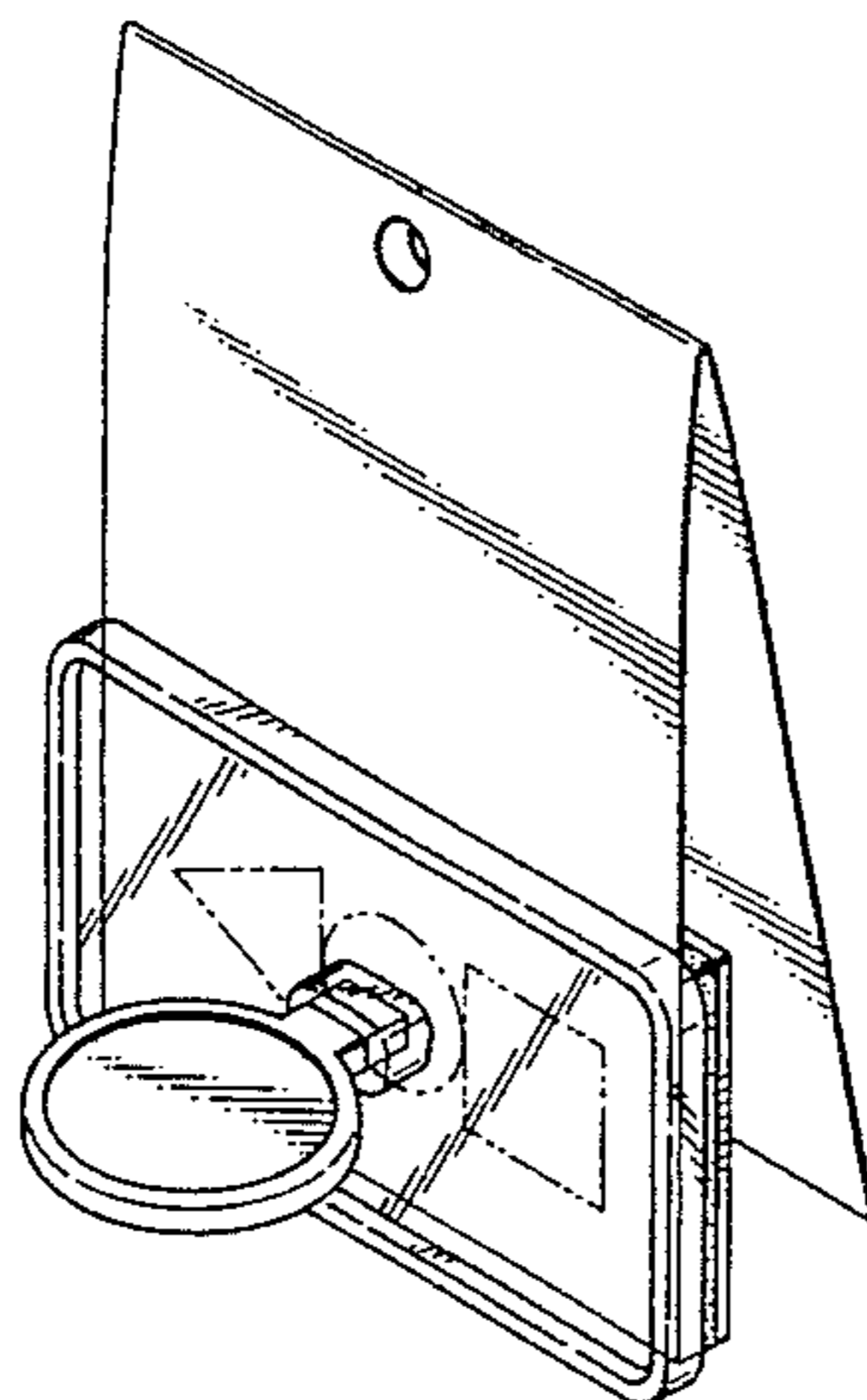
The broken lines are for purposes of illustration only and form no part of the claimed design.

1 Claim, 2 Drawing Sheets

[56] **References Cited**

U.S. PATENT DOCUMENTS

200,389	2/1878	Grinnan	101/333
209,763	11/1878	Keeler	101/329
321,223	6/1885	Keeler	101/329
D. 331,418	12/1992	Winston	D18/15
427,229	5/1890	French	101/171
602,061	4/1898	Echelberger	101/202
642,367	1/1900	Phillips et al.	101/329
657,961	9/1900	Roberts	118/264
749,034	1/1904	Daut	400/218
829,230	8/1906	Pope	101/329
984,632	2/1911	Winterbottom et al.	101/368
1,070,763	8/1913	Bauman et al.	101/329
1,073,036	9/1913	Fuchs	101/59
1,127,806	2/1915	Pells et al.	101/329
1,291,057	1/1919	Marks	101/103
1,512,085	10/1924	Clary	101/405
1,576,791	3/1926	Rosner	101/328
1,656,489	1/1928	Low	101/329
1,909,326	5/1933	Wheeler, Jr.	101/329
2,576,622	11/1951	McBride et al.	401/219
2,819,668	1/1958	McAneny	101/125
3,096,713	7/1963	McLaughlin, Jr.	101/379
3,158,096	11/1964	Arnold	101/368
3,259,063	7/1966	Rothman	101/381
3,282,209	11/1966	Muskin	101/373
3,403,623	10/1968	Blackwood	101/368
3,465,673	9/1969	Oppenheim	101/328
3,795,192	3/1974	Robertson	101/368
3,817,178	6/1974	Hagen	101/379
3,859,915	1/1975	Hunter	101/103



FOREIGN PATENT DOCUMENTS

231631	11/1909	Germany	401/107	451645	9/1949	Italy .	
551219	5/1932	Germany	120/49	195884	8/1986	Japan	101/406
551947	5/1932	Germany	101/329	287780	12/1986	Japan	101/406
1259732	1/1968	Germany .		151703	3/1932	Switzerland	101/103
2115088	12/1972	Germany .		587087	4/1947	United Kingdom	101/211
2455533	5/1975	Germany .		1560872	2/1980	United Kingdom .	
2606642	8/1977	Germany .		2045687	11/1980	United Kingdom .	
				2124151	2/1994	United Kingdom	101/405

FIG. 1

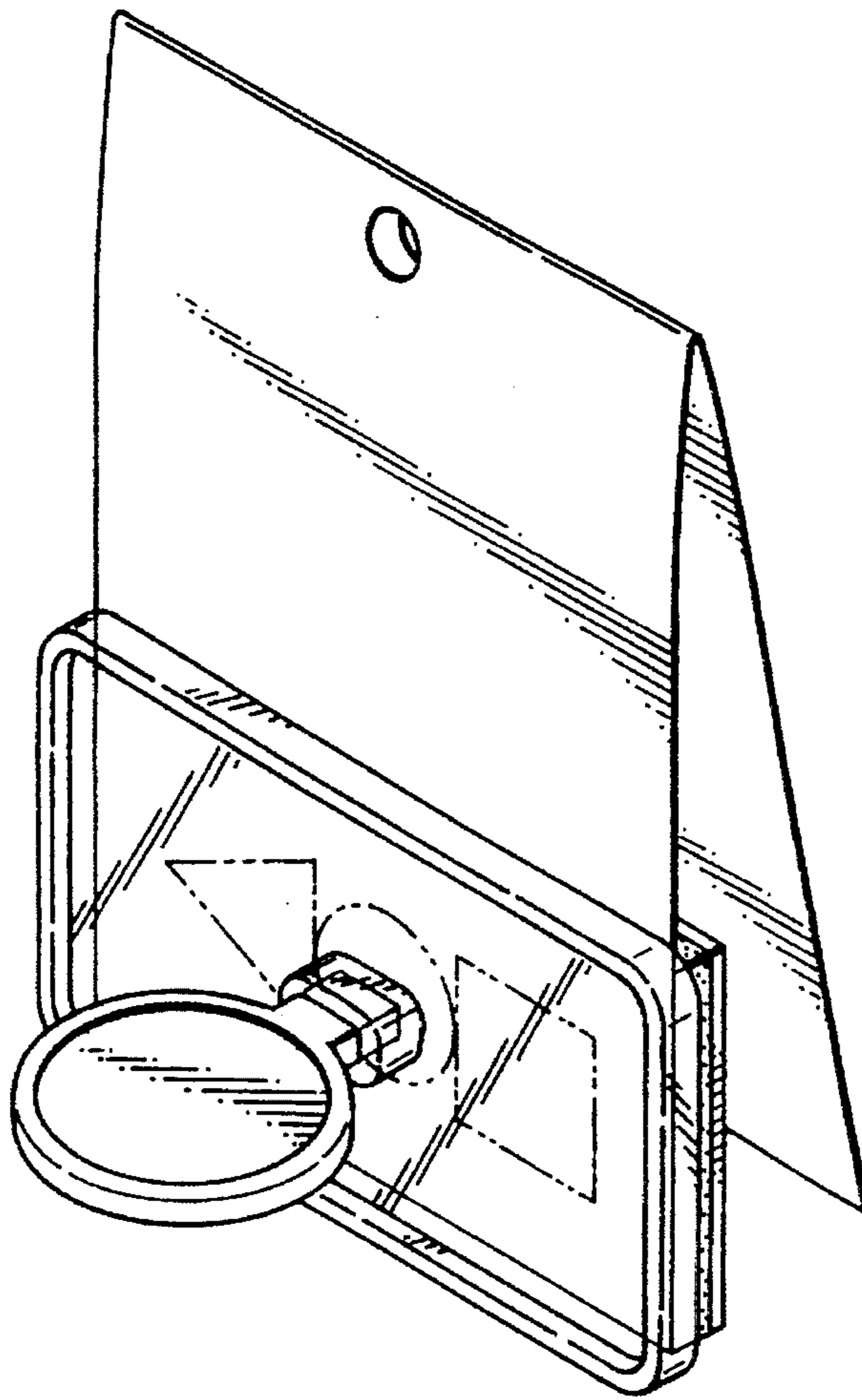


FIG. 2

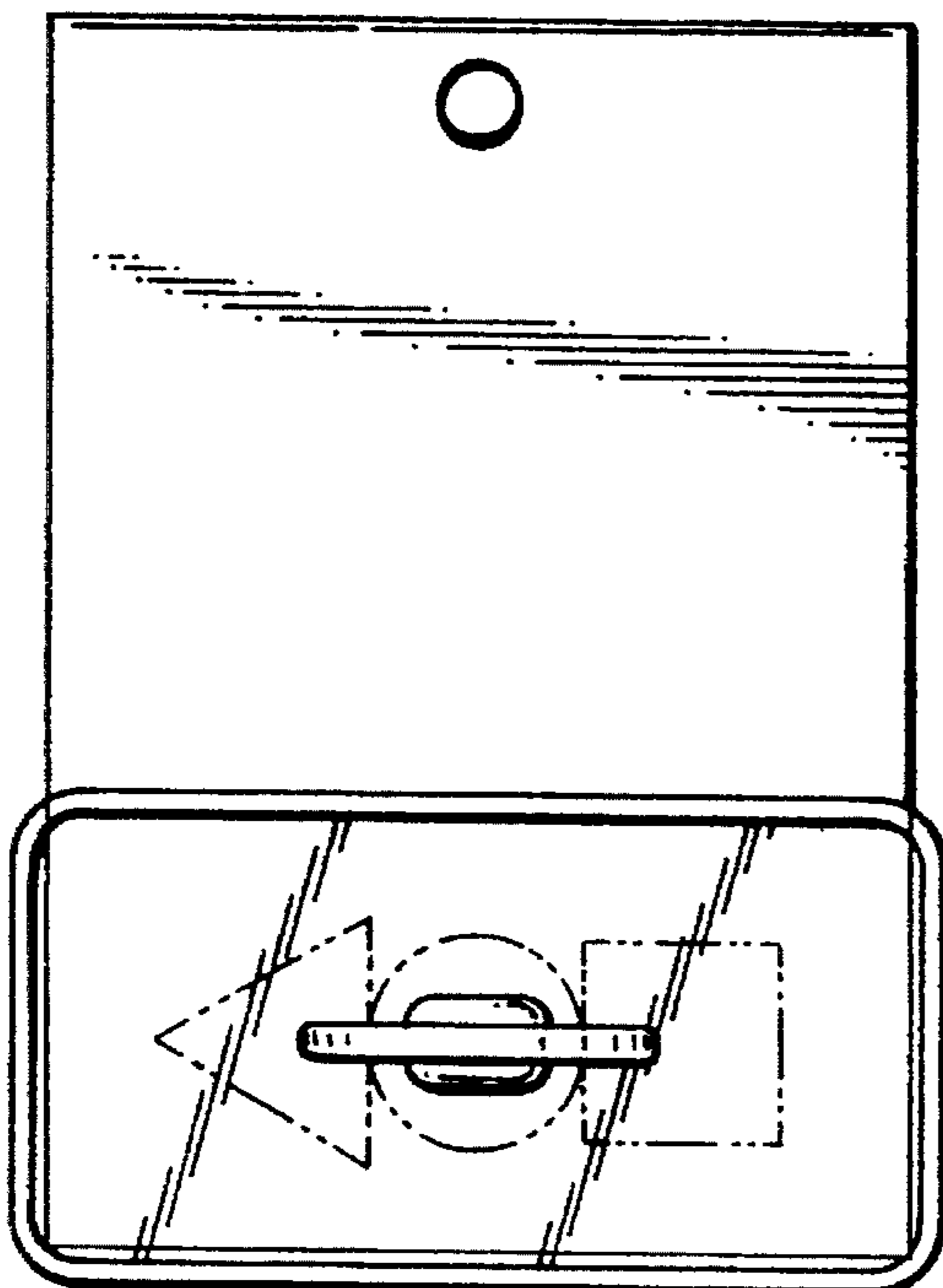


FIG. 3

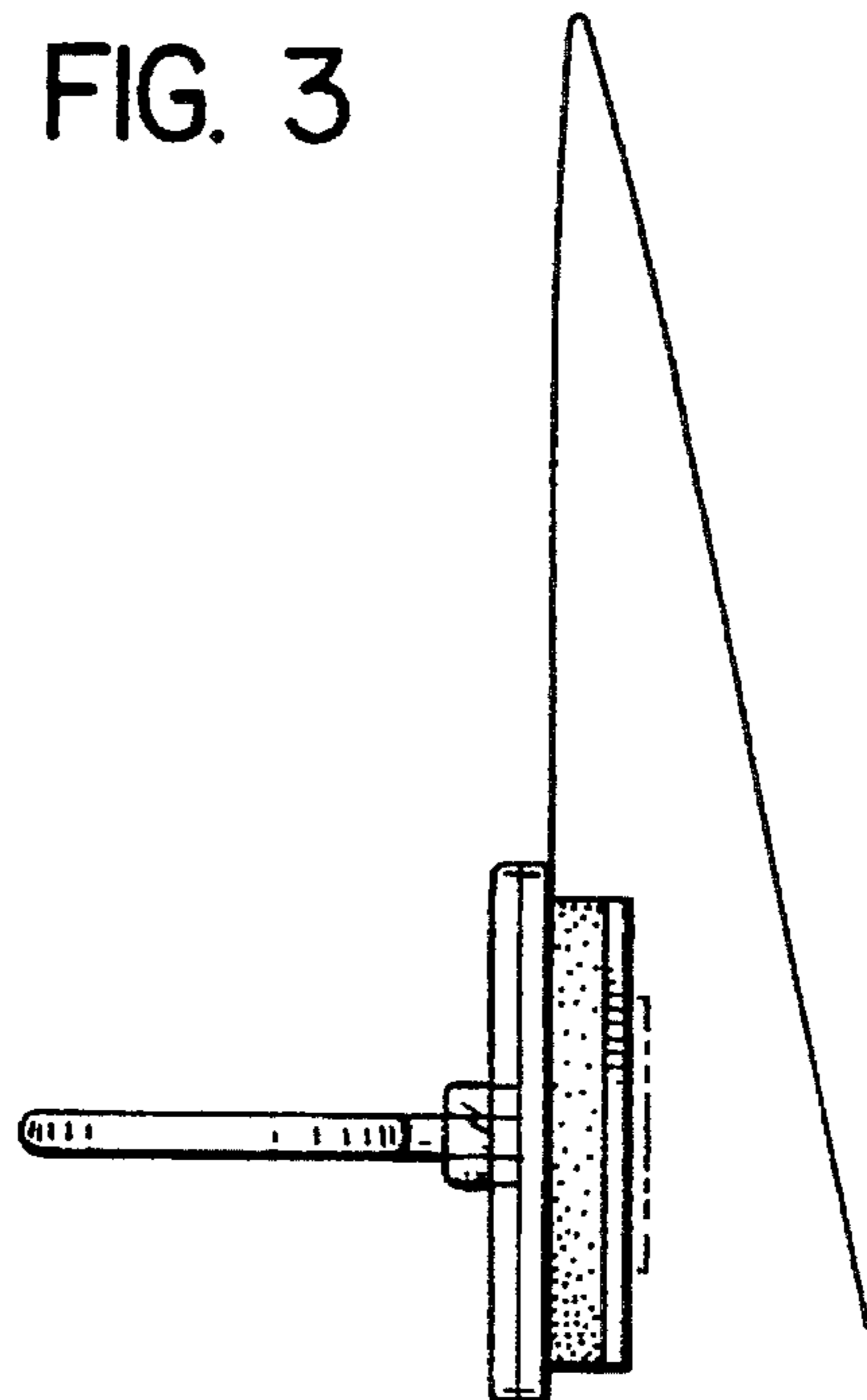


FIG. 4

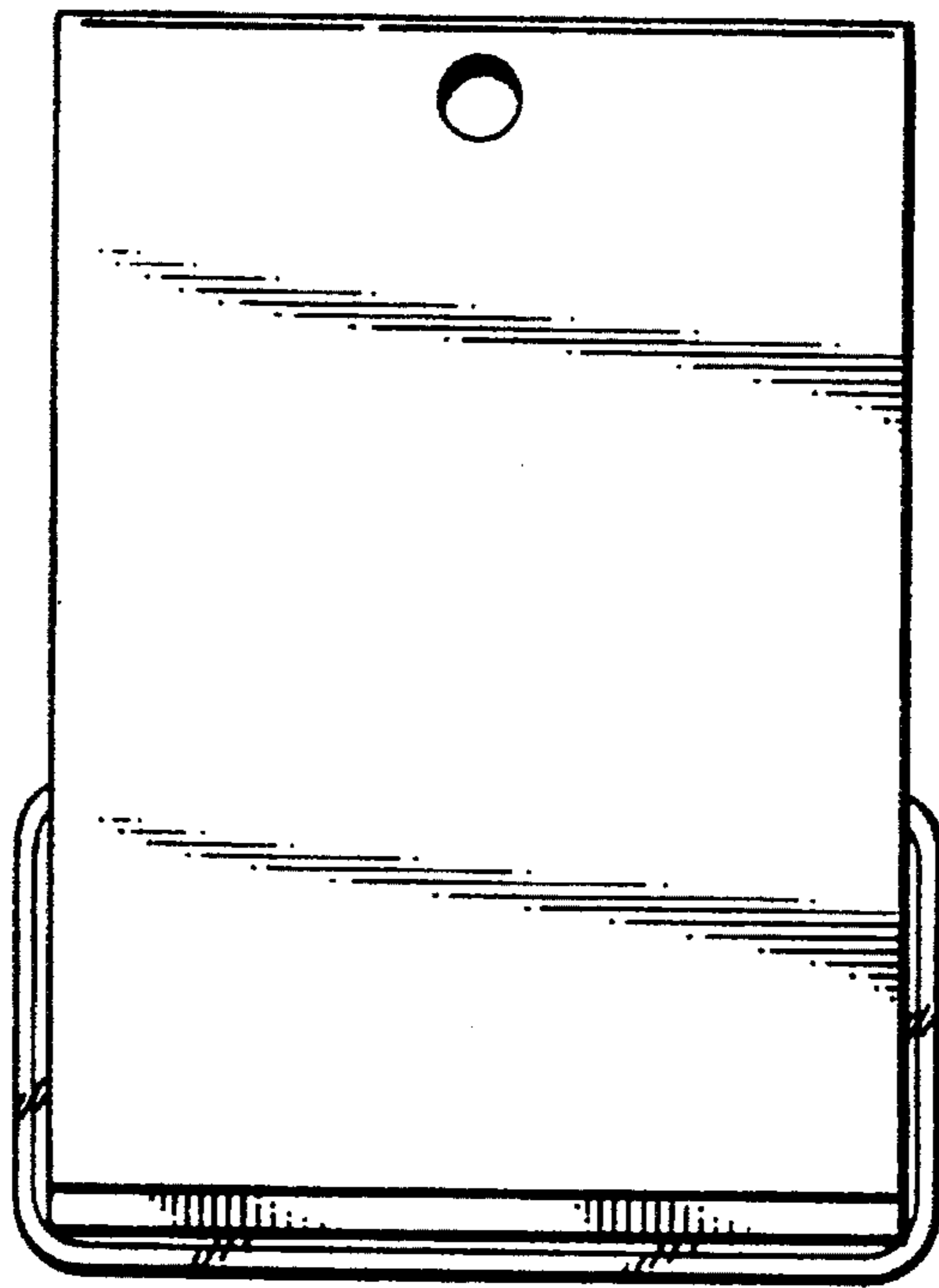


FIG. 5

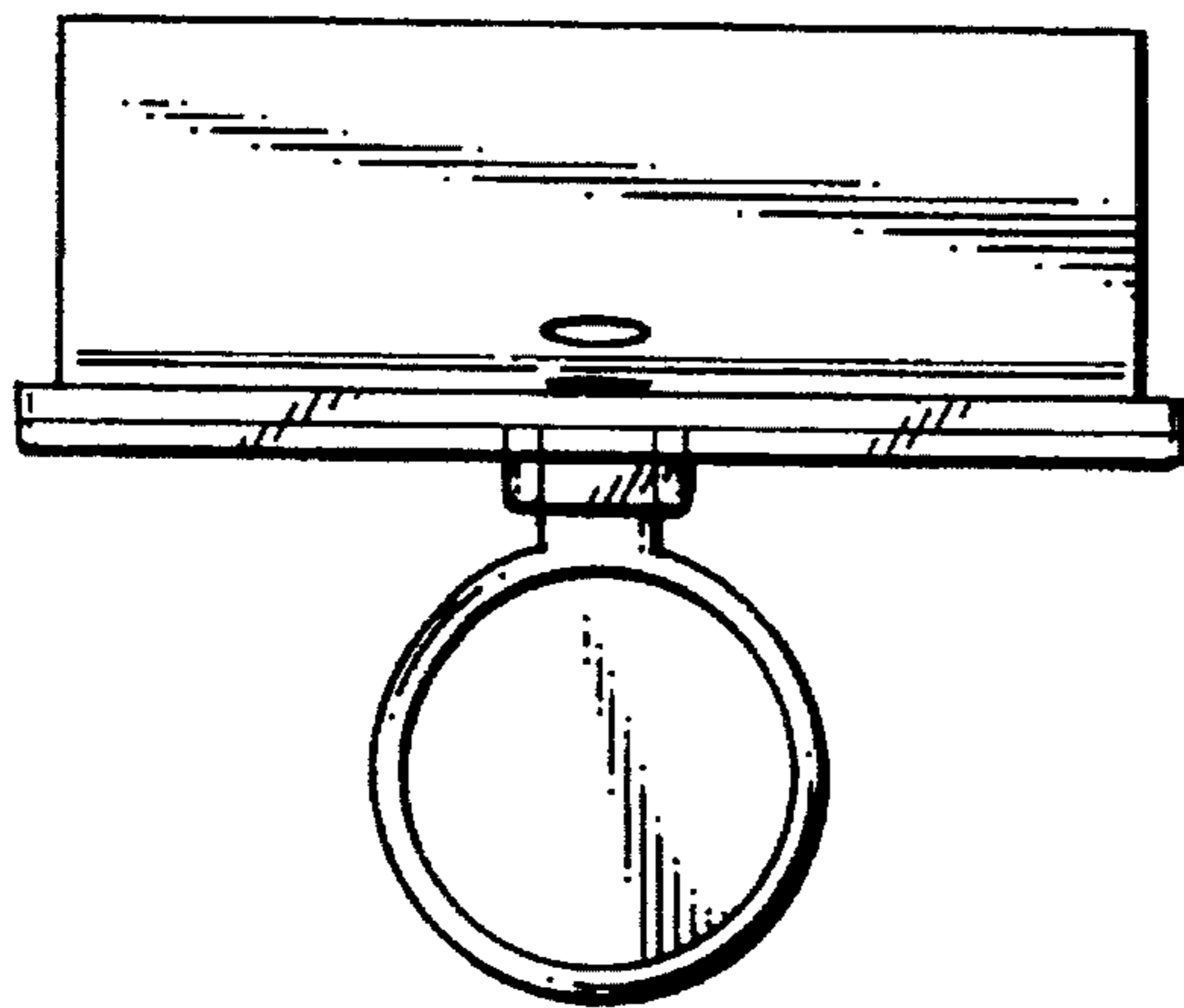


FIG. 6

