



US00D364414S

United States Patent [19]
Yashimoto

[11] **Patent Number: Des. 364,414**

[45] **Date of Patent: **Nov. 21, 1995**

[54] **SEALING DEVICE FOR PACKING**
[75] Inventor: **Yasuo Yashimoto**, Toyonaka, Japan
[73] Assignee: **Fuji Impulse Co., Ltd.**, Japan
[**] Term: **14 Years**

Primary Examiner—Alan P. Douglas
Assistant Examiner—Antoine D. Davis
Attorney, Agent, or Firm—Webb Ziesenheim Bruening
Logsdon Orkin & Hanson

[21] Appl. No.: **32,611**
[22] Filed: **Dec. 22, 1994**

[57] **CLAIM**

The ornamental design for a sealing device for packing, as shown and described.

[30] **Foreign Application Priority Data**
Aug. 5, 1994 [JP] Japan 6-23889
[52] **U.S. Cl.** **D15/145**
[58] **Field of Search** D15/145, 146;
53/432, 433, 434, 510, 511, 512; 156/583.1,
583.2, 583.3, 583.4, 583.5, 583.6, 583.7,
583.8, 583.9, 583.91

DESCRIPTION

FIG. 1 is a front elevation view of a sealing device for packing according to my new design;
FIG. 2 is a rear elevation view thereof;
FIG. 3 is a top plan view thereof;
FIG. 4 is a bottom plan view thereof;
FIG. 5 is a left side elevation view thereof;
FIG. 6 is a right side elevation view thereof;
FIG. 7 is a right side elevation view showing a varied table angle; and,
FIG. 8 is a perspective view according to my new design as shown in FIG. 1.

[56] **References Cited**
U.S. PATENT DOCUMENTS
D. 354,967 1/1995 Lim D15/145
5,239,808 8/1993 Wells et al. 53/512

1 Claim, 4 Drawing Sheets

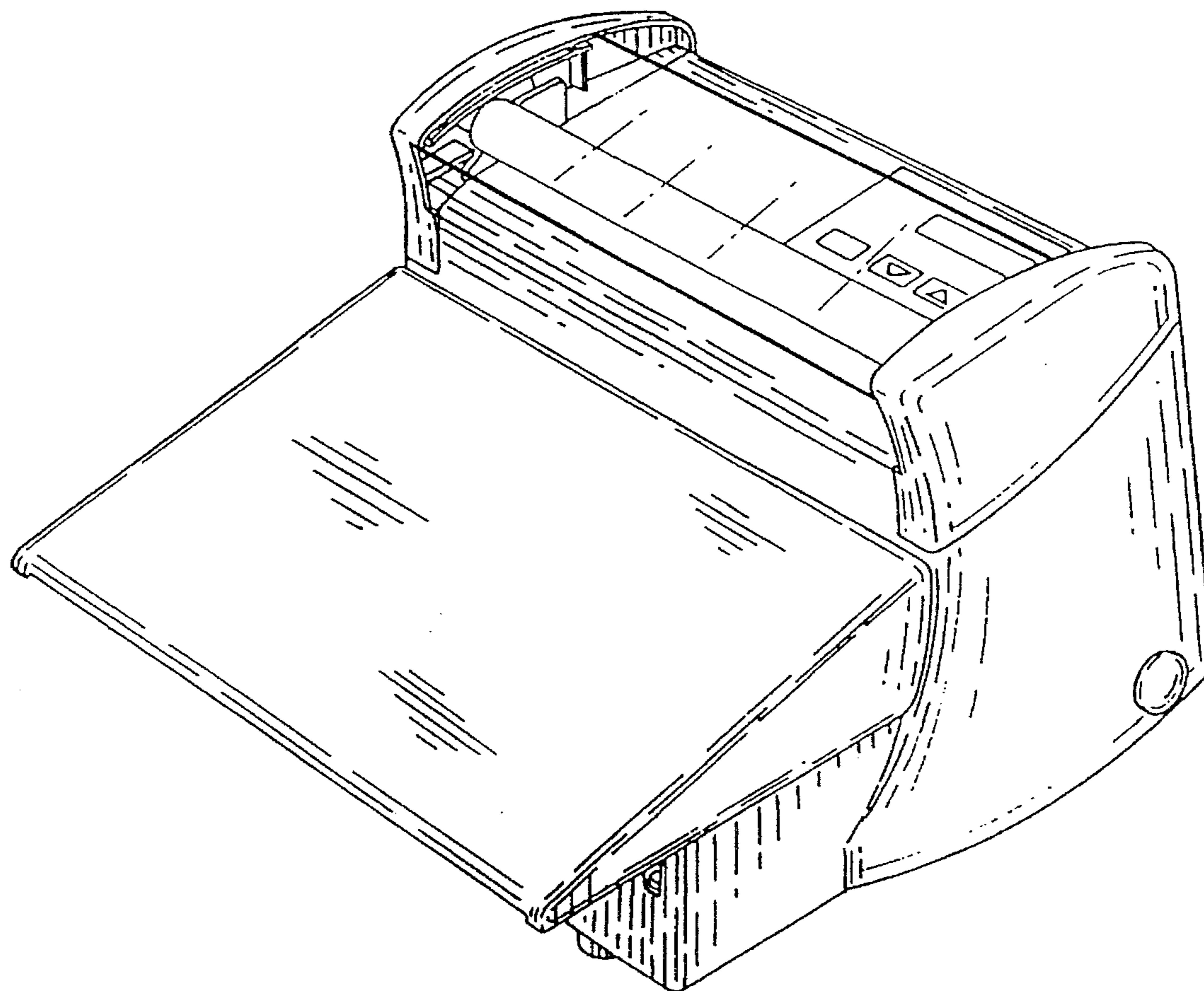


FIG. 1

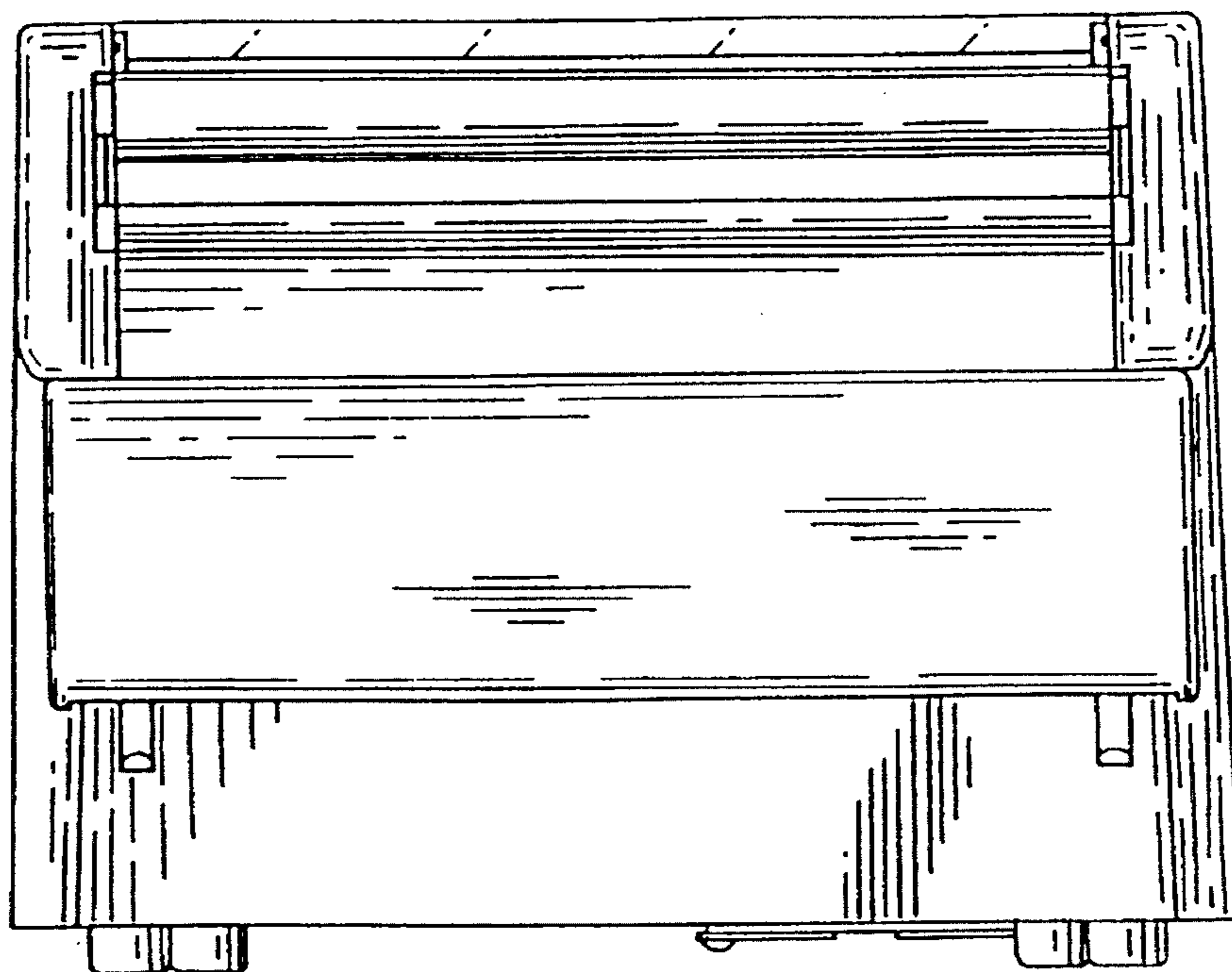


FIG. 2

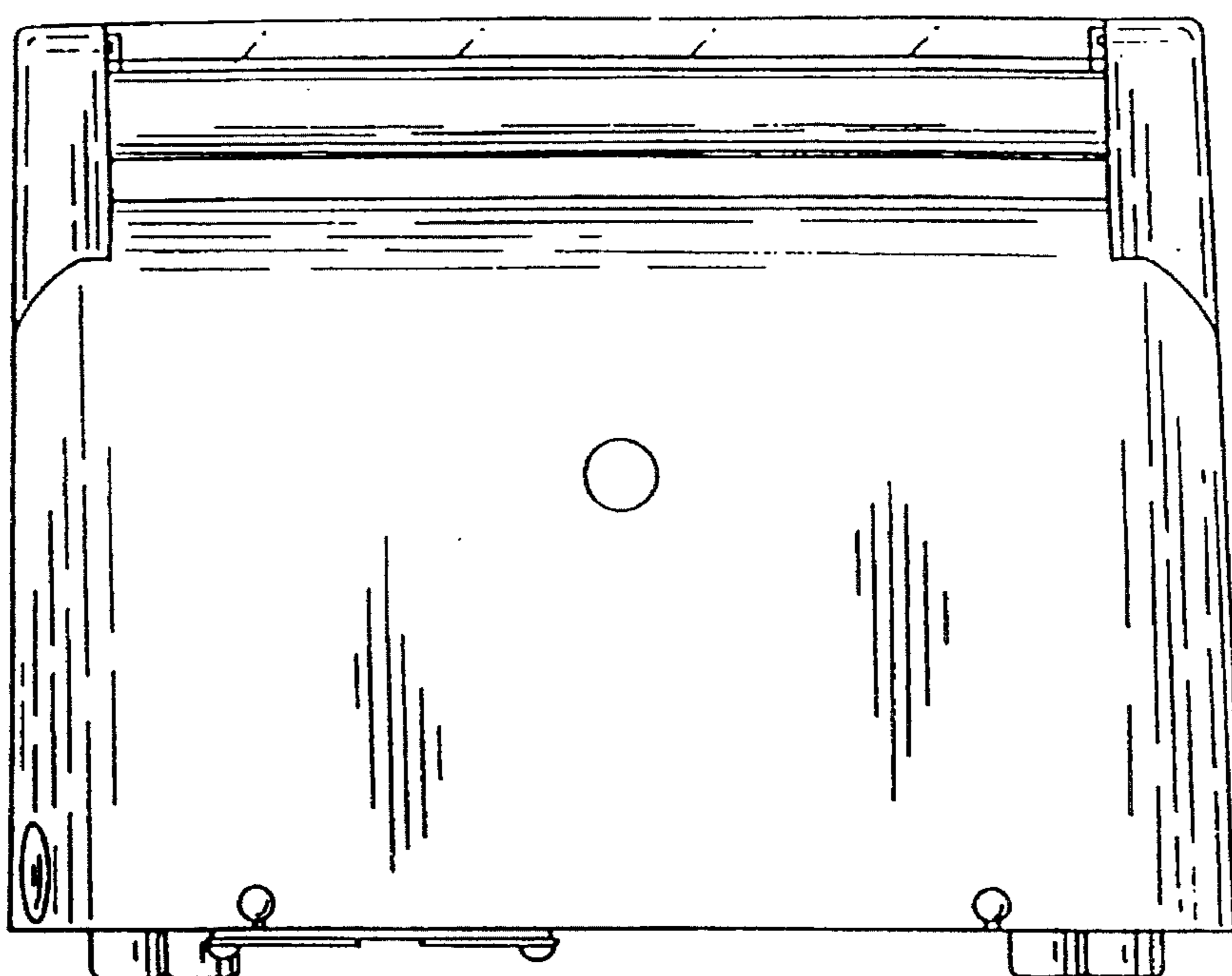


FIG. 4

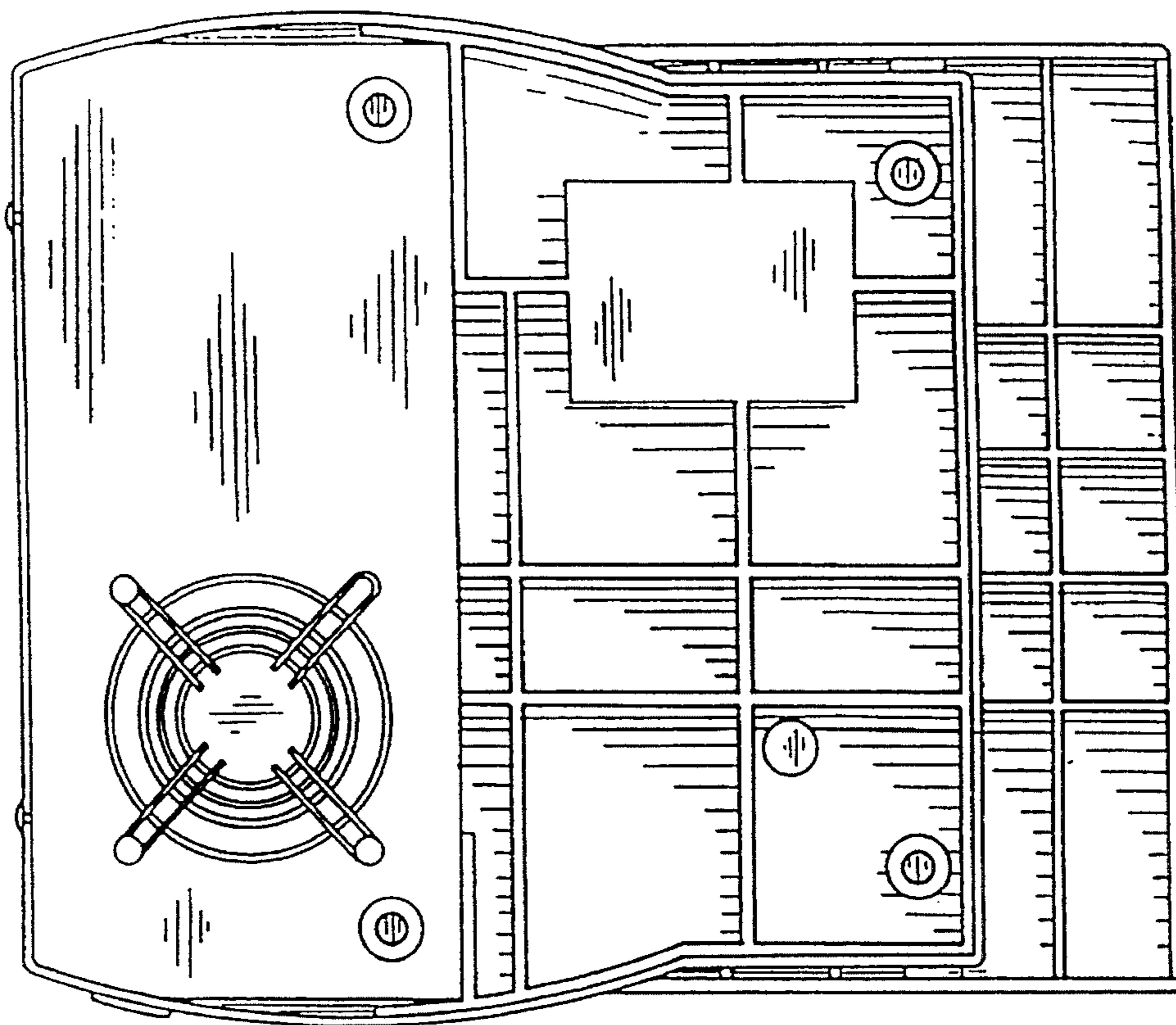


FIG. 3

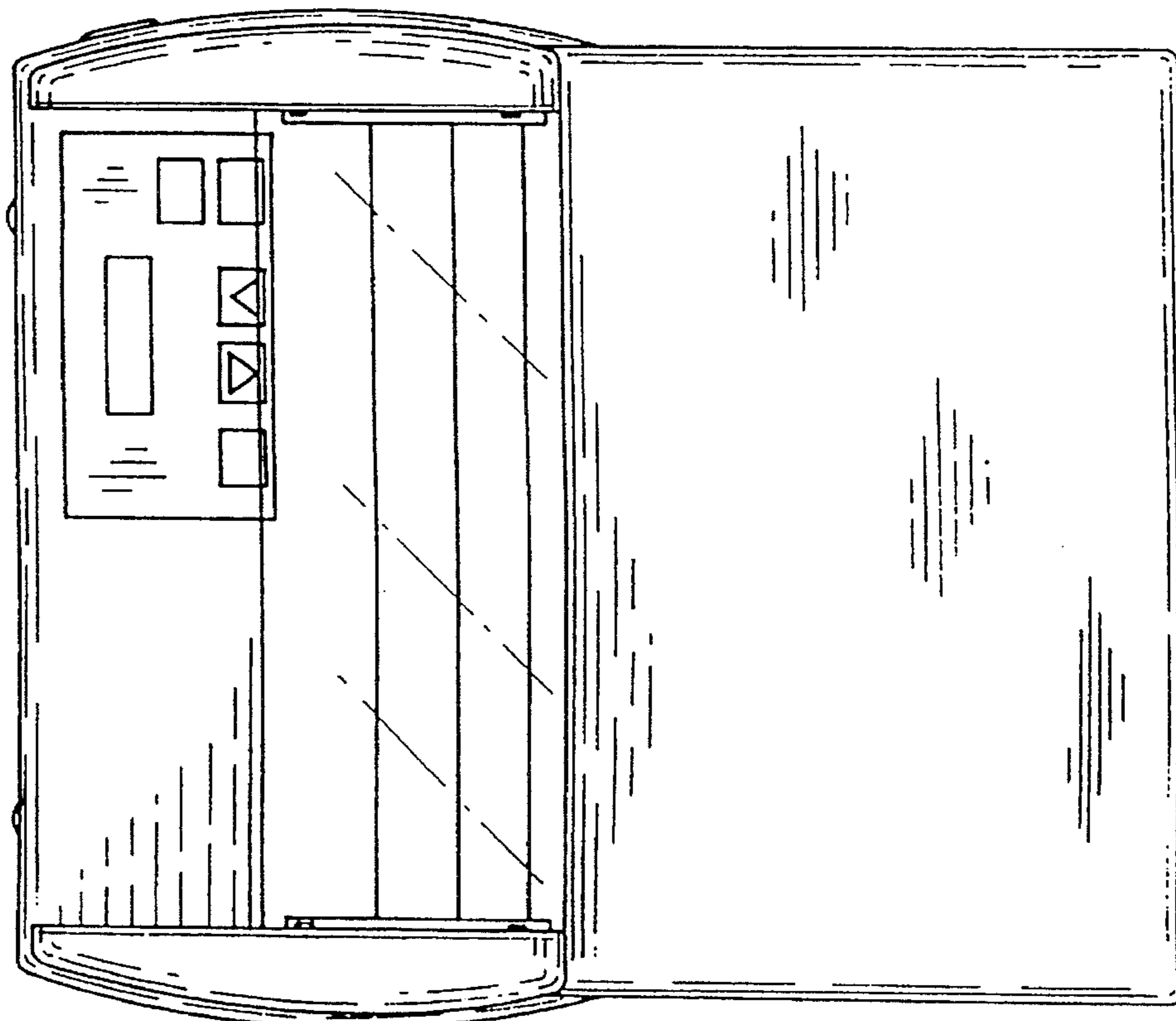


FIG. 5

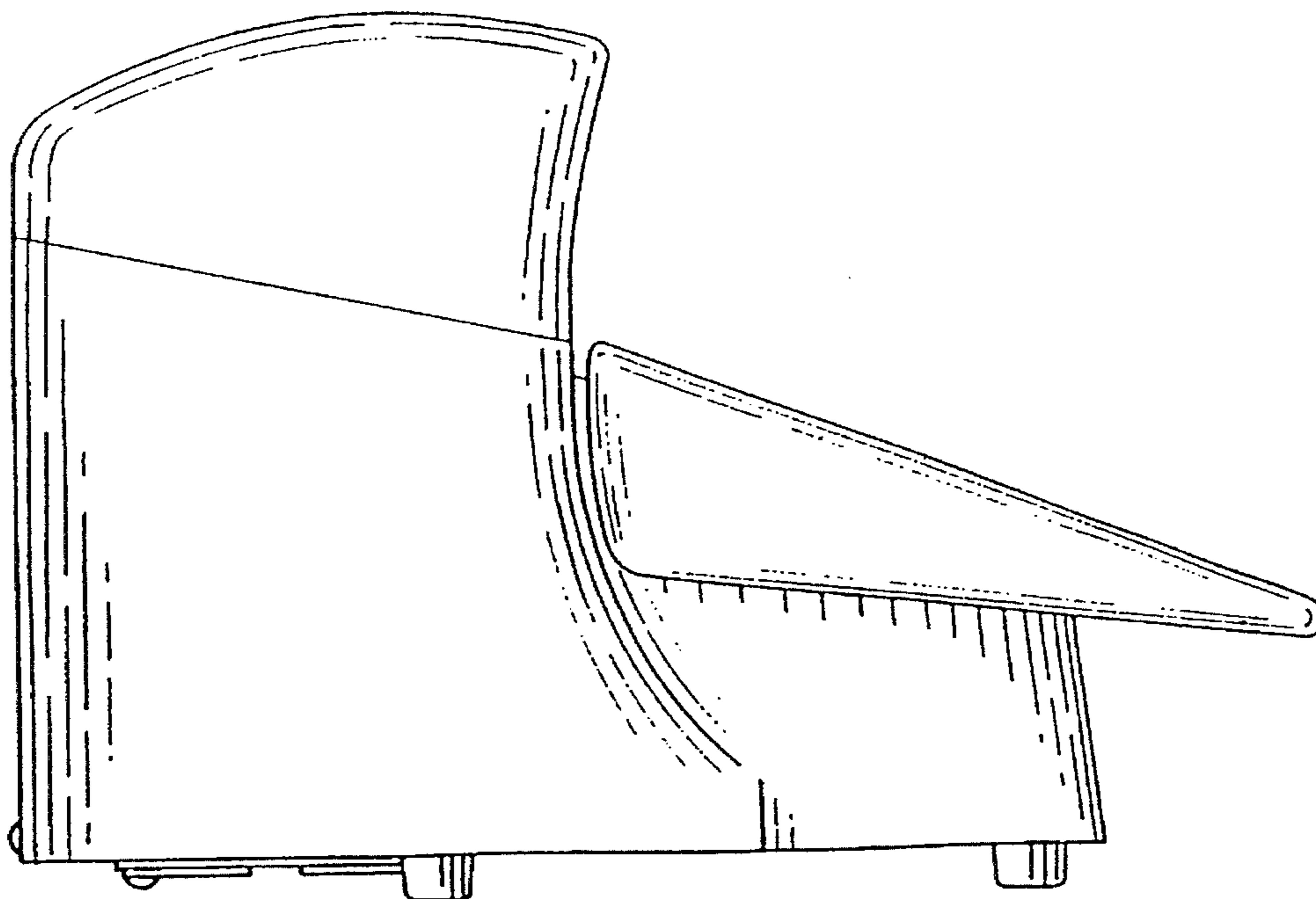


FIG. 6

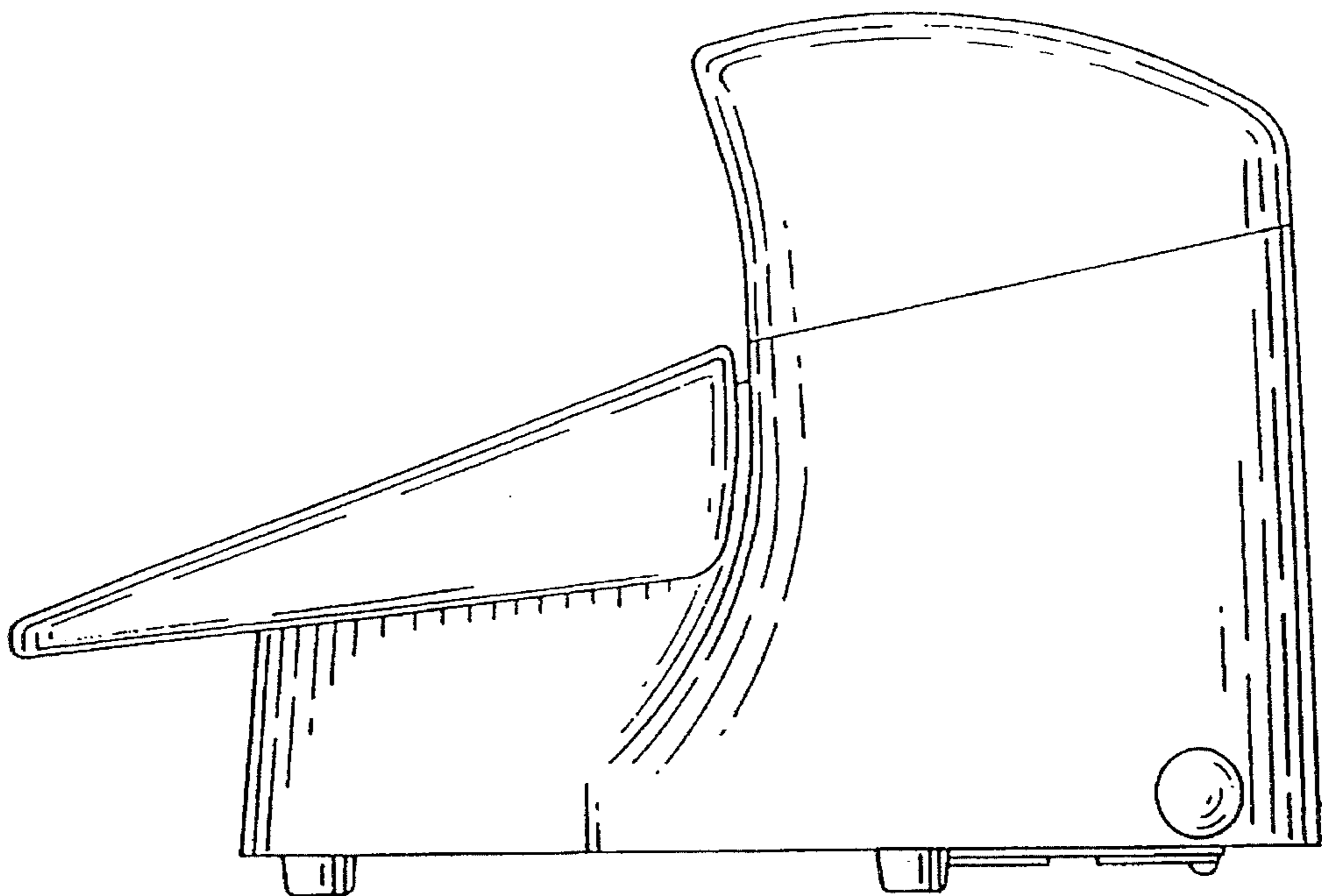


FIG. 7

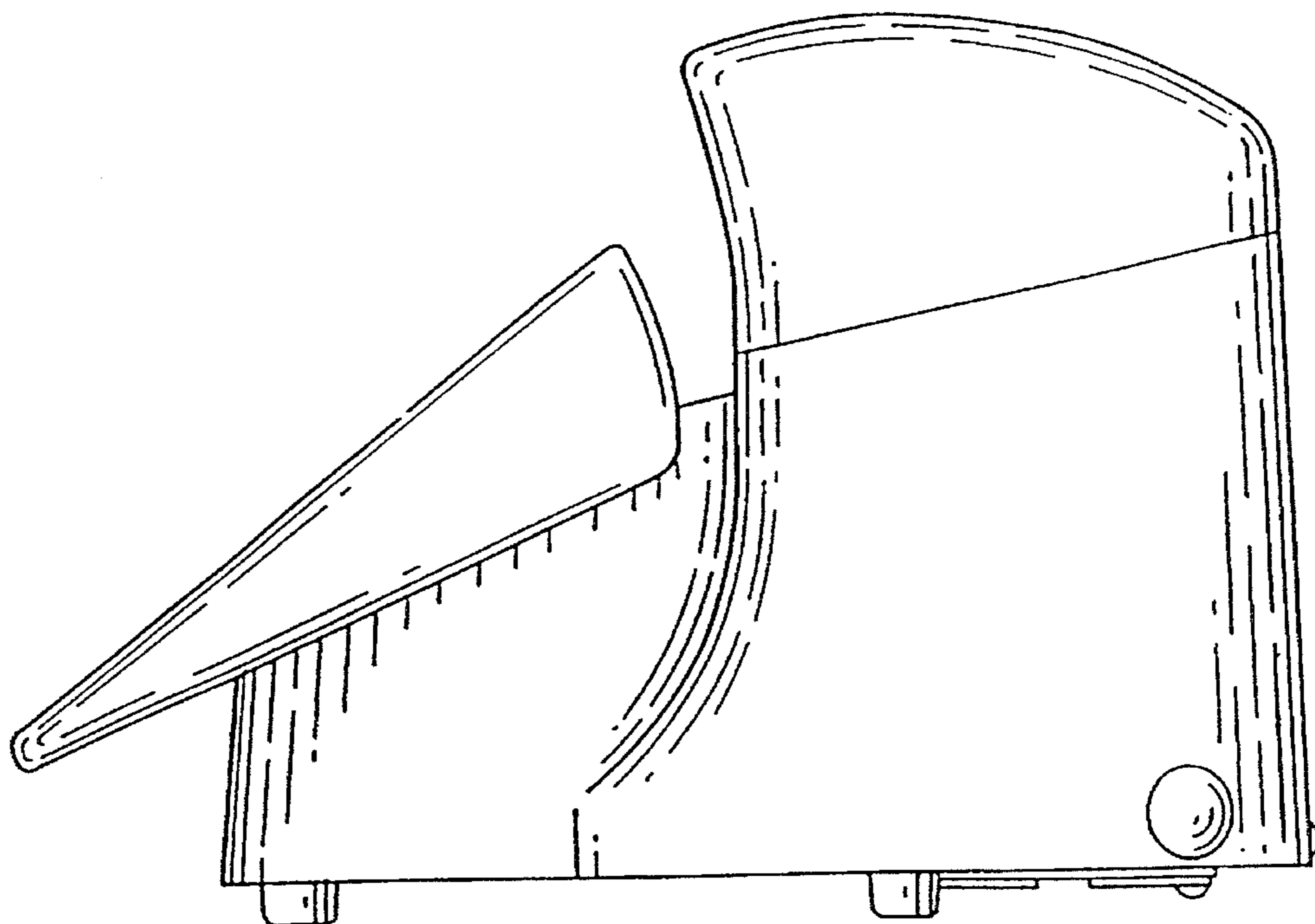


FIG. 8

