



US00D364412S

# United States Patent [19]

Hilliard et al.

[11] Patent Number: **Des. 364,412**

[45] Date of Patent: **\*\*Nov. 21, 1995**

[54] TABLE SAW

[75] Inventors: **James E. Hilliard**, Markham; **William A. Lane**, Brooklin; **John W. Bartlett**, Pickering; **John W. LaBallister**, Markham, all of Canada; **Frederick B. Jedlicka**, Jerseyville, Ill.

[73] Assignee: **Emerson Electric Co.**, St. Louis, Mo.

[\*\*] Term: **14 Years**

[21] Appl. No.: **24,567**

[22] Filed: **Jun. 16, 1994**

[52] U.S. Cl. .... **D15/133**

[58] Field of Search ..... D15/133, 141; 83/471.3, 477.1, 478, 486.1, 701, 574, 438, 468.7, 477.2, 648, 859, 471, 287; 144/35 R, 1 R, 134 D, 134 R, 285, 286 A, 286 R, 287; 248/296, 188.6, 188.1, 901; 280/47.2

[56] **References Cited**

**U.S. PATENT DOCUMENTS**

- D. 299,925 2/1989 Brickner, Jr. et al. .... D15/133
- 3,011,531 12/1961 Gaskell ..... 143/174
- 4,265,283 5/1981 Nash et al. .... 144/286 A X

- 4,269,096 5/1981 Boone ..... 83/477
- 4,640,326 2/1987 Hewitt ..... 144/287
- 4,846,036 7/1989 Metzger, Jr. et al. .... 83/438
- 4,860,807 8/1989 Vacchiano ..... 144/286
- 4,969,496 11/1990 Romans ..... 144/286 R
- 4,974,651 12/1990 Carmon et al. .... 144/286 R
- 5,067,535 11/1991 Wolff ..... 144/286 A X
- 5,181,446 1/1993 Theising ..... 80/438

*Primary Examiner*—Antoine Duval Davis  
*Attorney, Agent, or Firm*—Polster, Lieder, Woodruff & Lucchesi

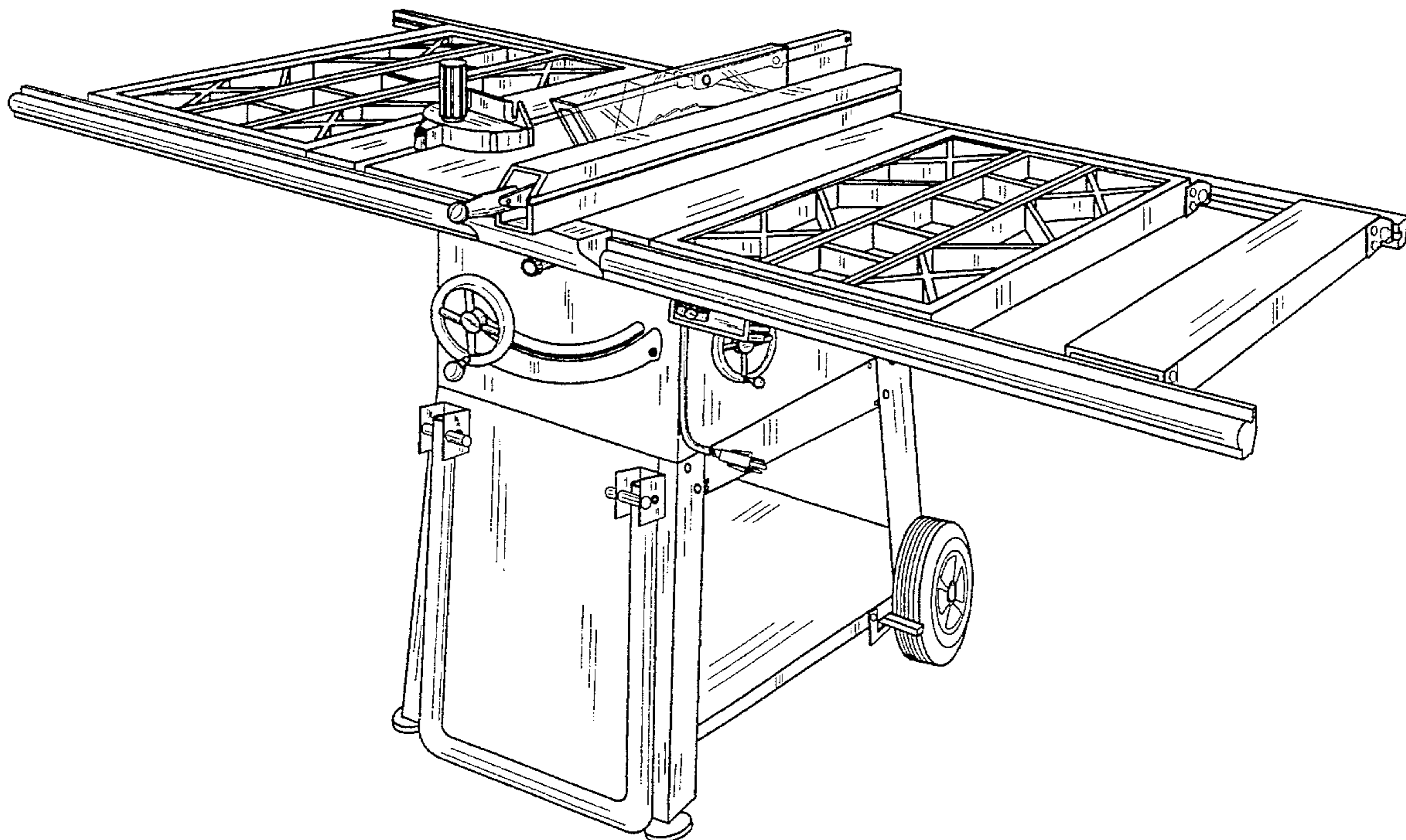
[57] **CLAIM**

The ornamental design for a table saw, as shown and described.

**DESCRIPTION**

FIG. 1 is a perspective view of our new table saw as viewed from along the right side thereof;  
FIG. 2 is a front elevational view thereof;  
FIG. 3 is a rear elevational view thereof;  
FIG. 4 is a top plan view thereof;  
FIG. 5 is a bottom plan view thereof;  
FIG. 6 is a left side elevational view thereof; and,  
FIG. 7 is a right side elevational view thereof.

**1 Claim, 7 Drawing Sheets**



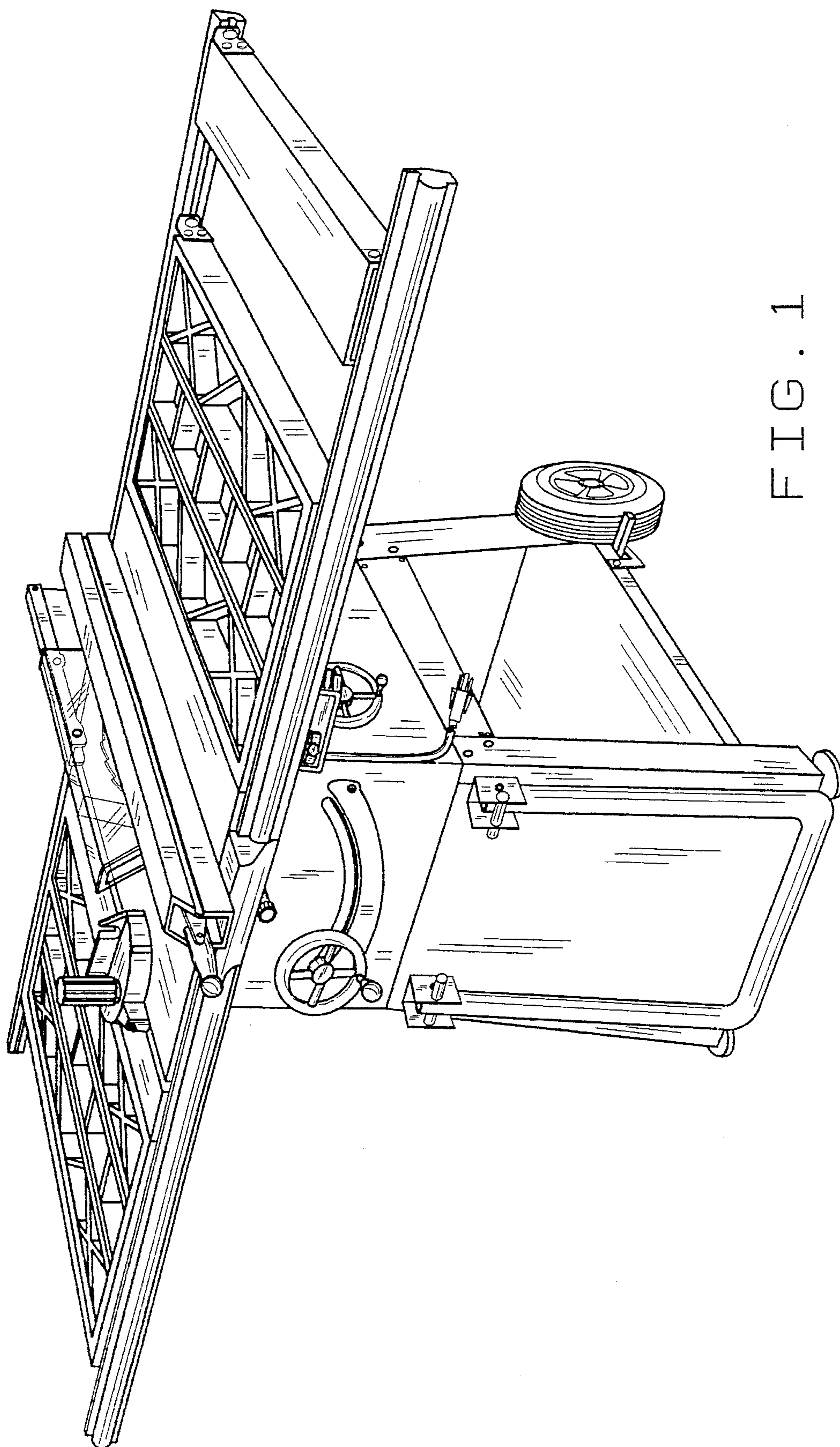


FIG. 1

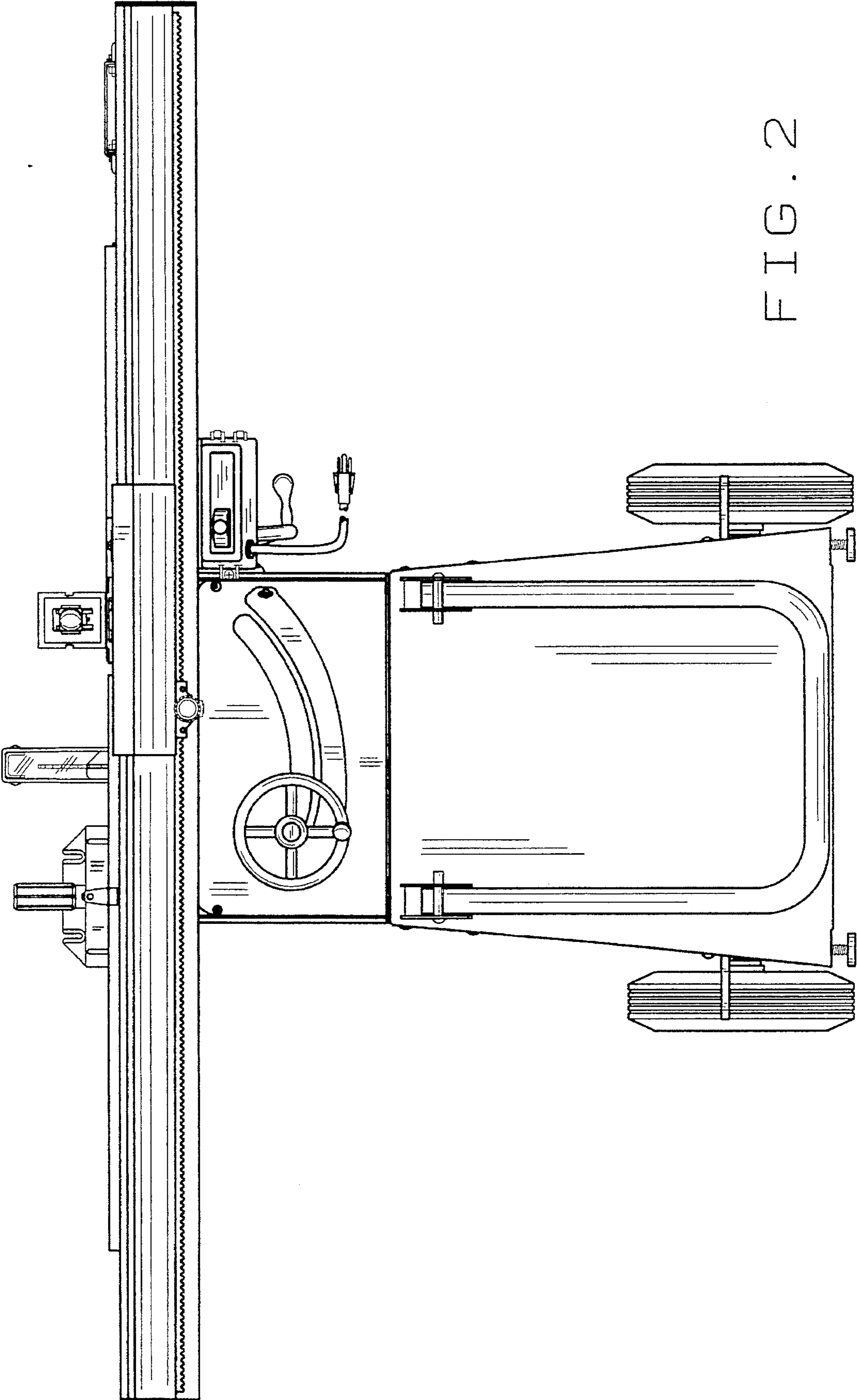


FIG. 2

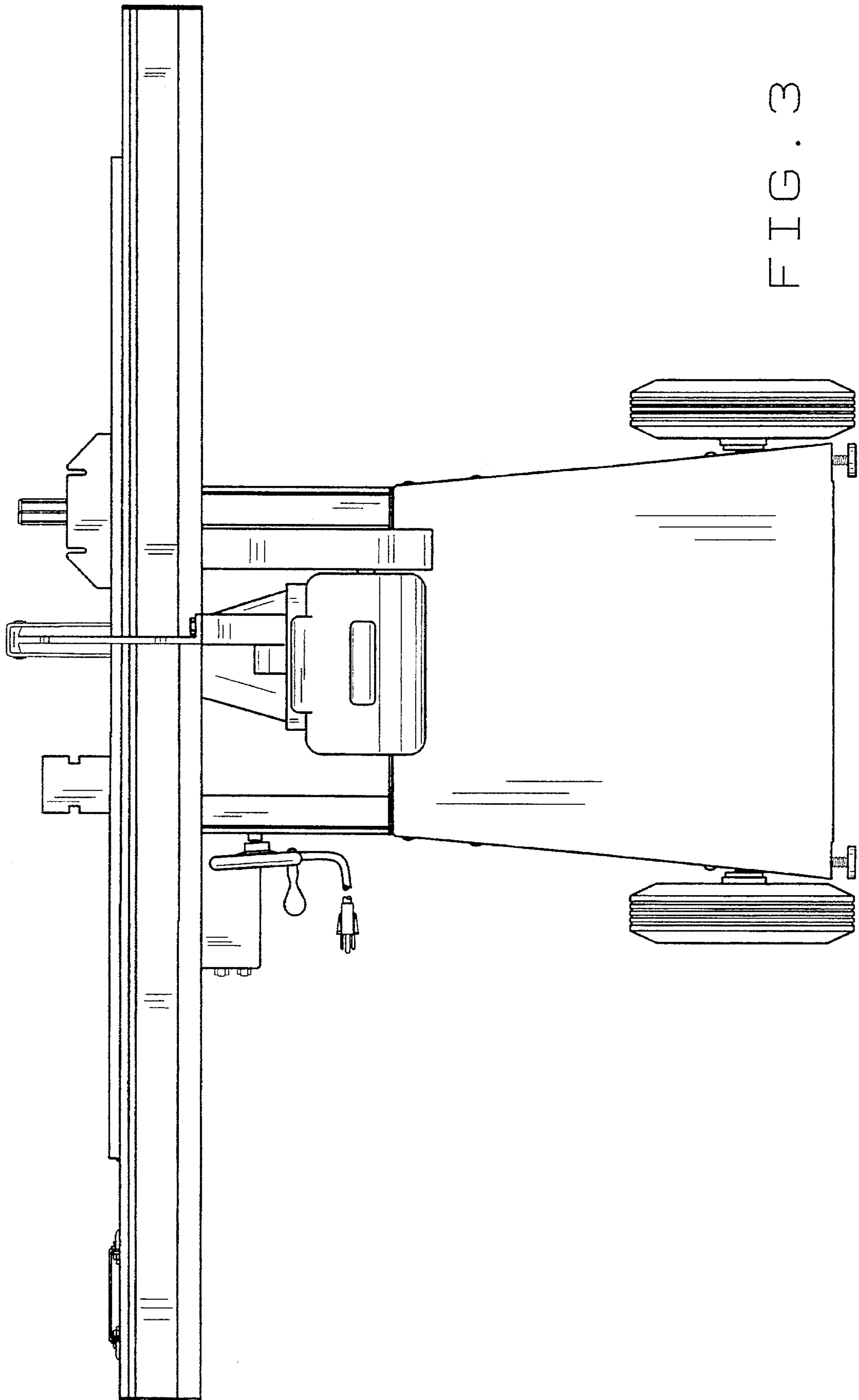


FIG. 3

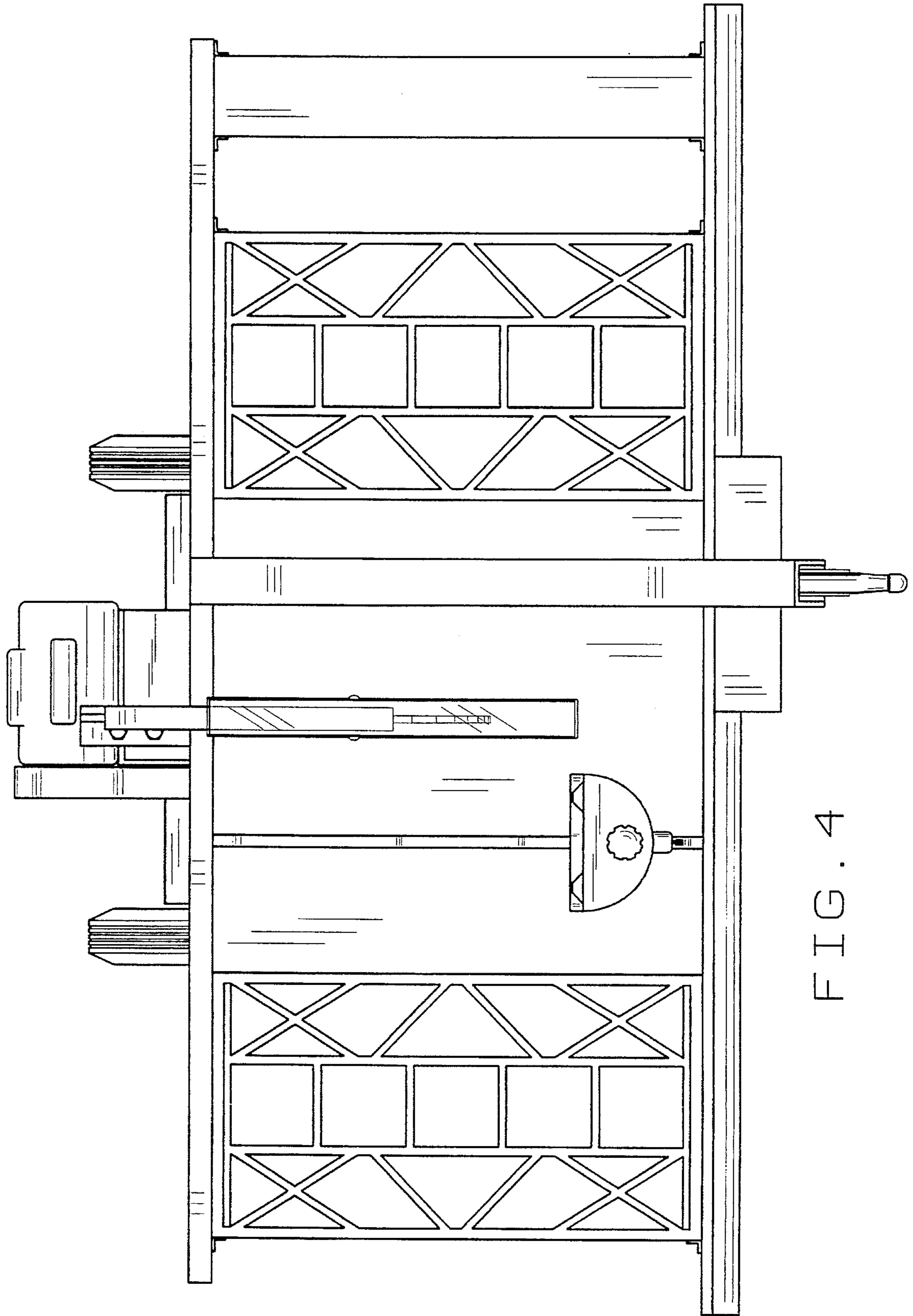


FIG. 4

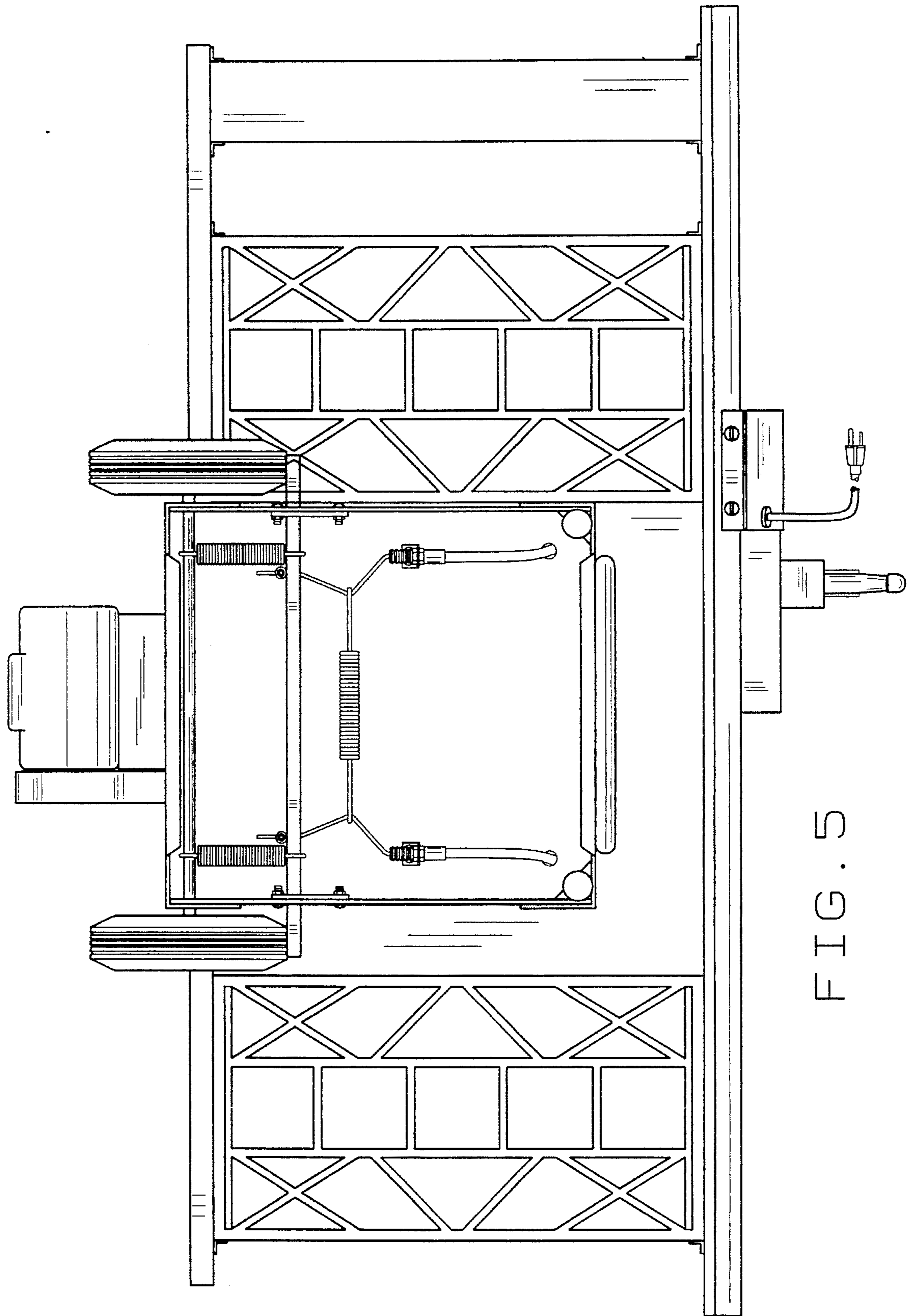


FIG. 5

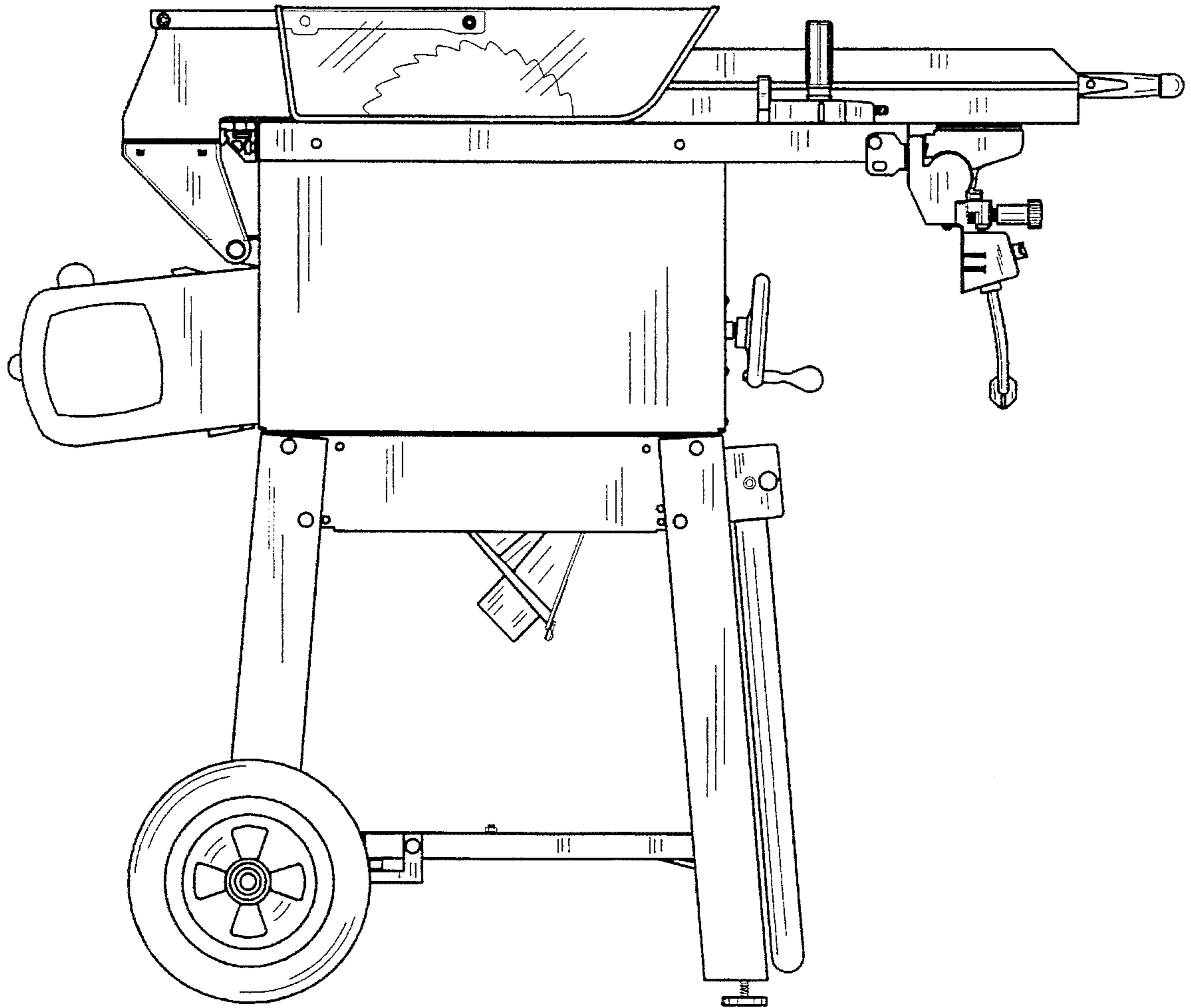


FIG. 6

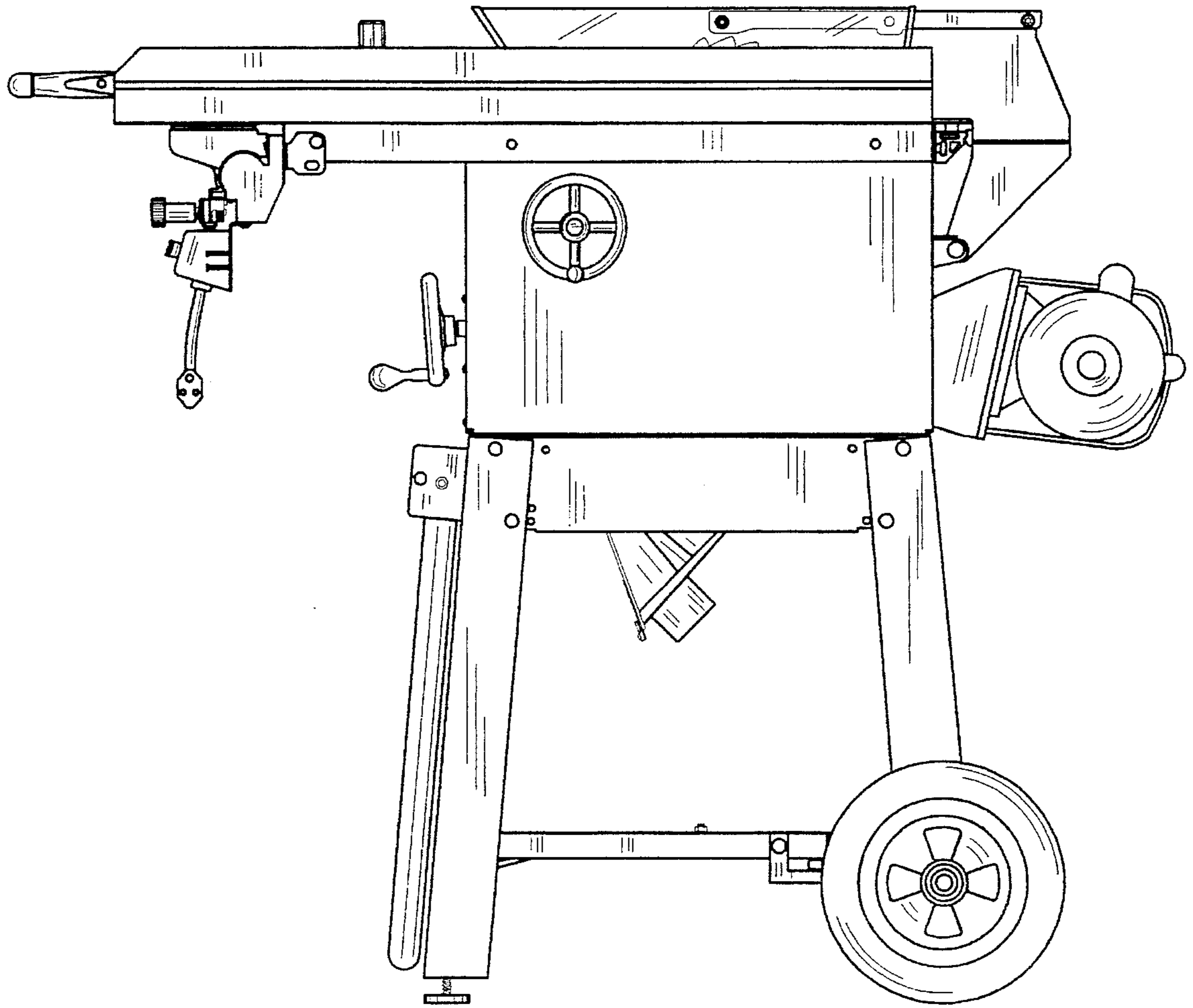


FIG. 7