



US00D364411S

United States Patent [19]
Wang

[11] **Patent Number: Des. 364,411**

[45] **Date of Patent: **Nov. 21, 1995**

[54] **TOY PUNCH**

5,067,242 11/1991 Singer 69/2 X

[76] Inventor: **Shun-Yi Wang**, 11-2 No. 7, Section 3,
Shin Sheng North Road, Taipei, Taiwan

Primary Examiner—Alan P. Douglas
Assistant Examiner—Antoine D. Davis
Attorney, Agent, or Firm—Morton J. Rosenberg; David I. Klein

[**] Term: **14 Years**

[21] Appl. No.: **32,408**

[57] **CLAIM**

[22] Filed: **Dec. 19, 1994**

The ornamental design for a toy punch, as shown and described.

[52] U.S. Cl. **D15/128; D19/72**

[58] **Field of Search** D8/14, 49, 50,
D8/70.1, 98; D15/128; D19/65, 72; 30/364;
69/2; 74/25; 100/288, 902; 83/167, 454,
465, 467, 560, 205; 144/1 R, 1 H; 227/76;
425/188, 189, 193, 194, 195, 458, DIG. 51,
DIG. 57; 446/144

DESCRIPTION

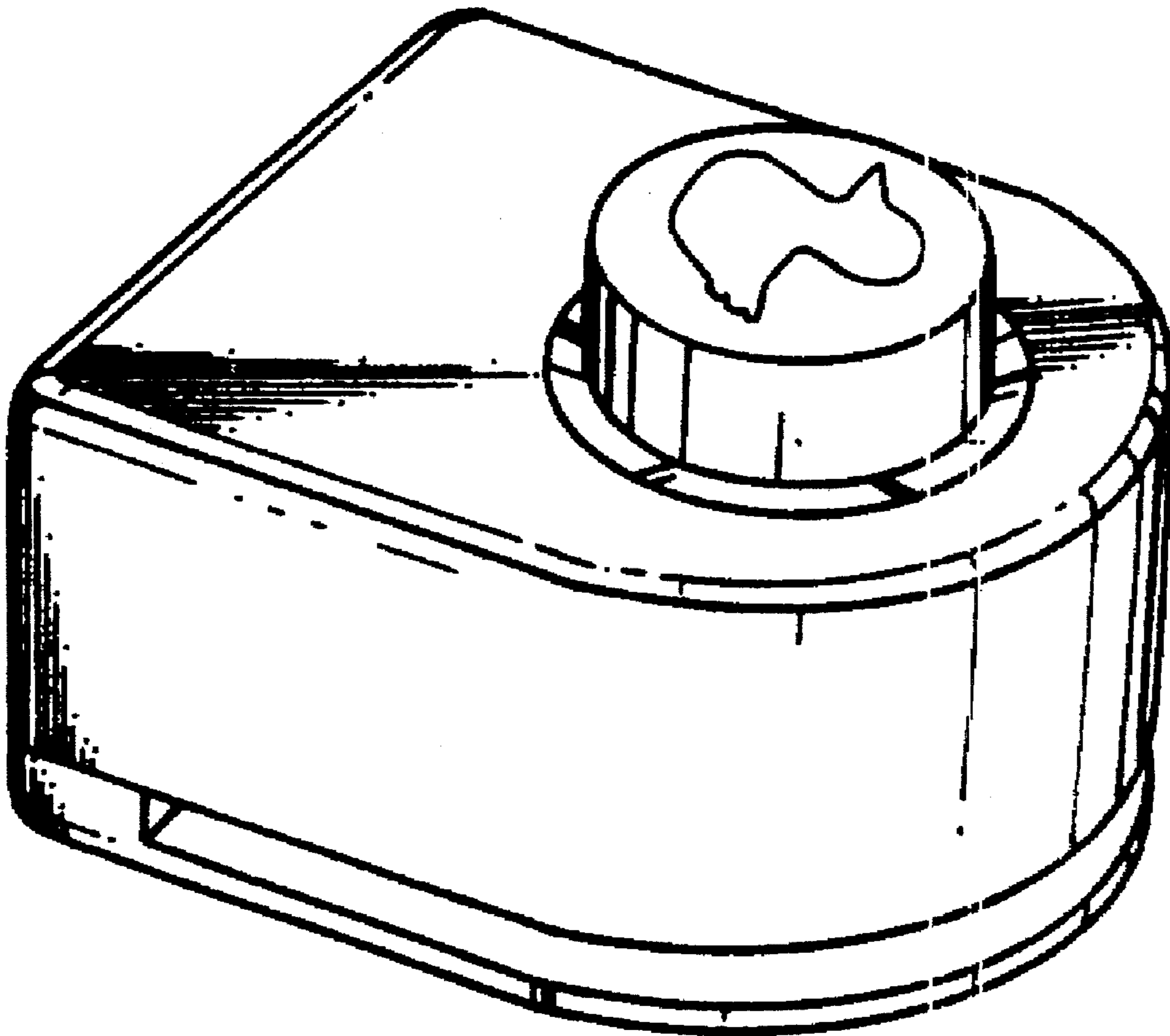
FIG. 1 is a perspective view of a toy punch showing my design;
FIG. 2 is a front elevational view thereof;
FIG. 3 is a left side elevational view thereof, the right side elevational view being a mirror image;
FIG. 4 is a top plan view thereof;
FIG. 5 is a bottom plan view thereof; and,
FIG. 6 is a rear elevational view thereof.

[56] **References Cited**

U.S. PATENT DOCUMENTS

D. 312,660 12/1990 Bowles, Jr. D19/72
4,779,785 10/1988 Amagaya 227/76

1 Claim, 2 Drawing Sheets



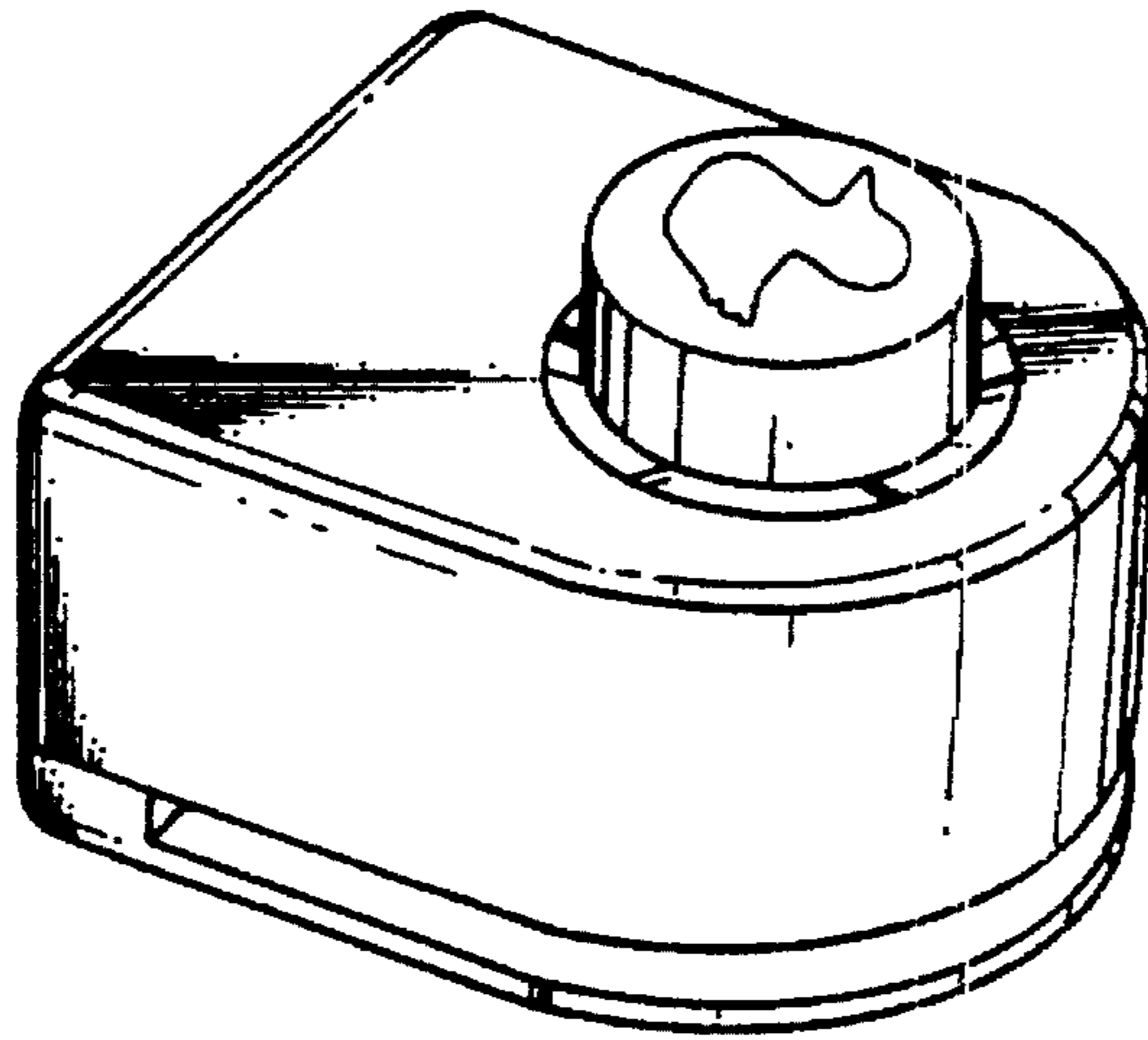


FIG. 1

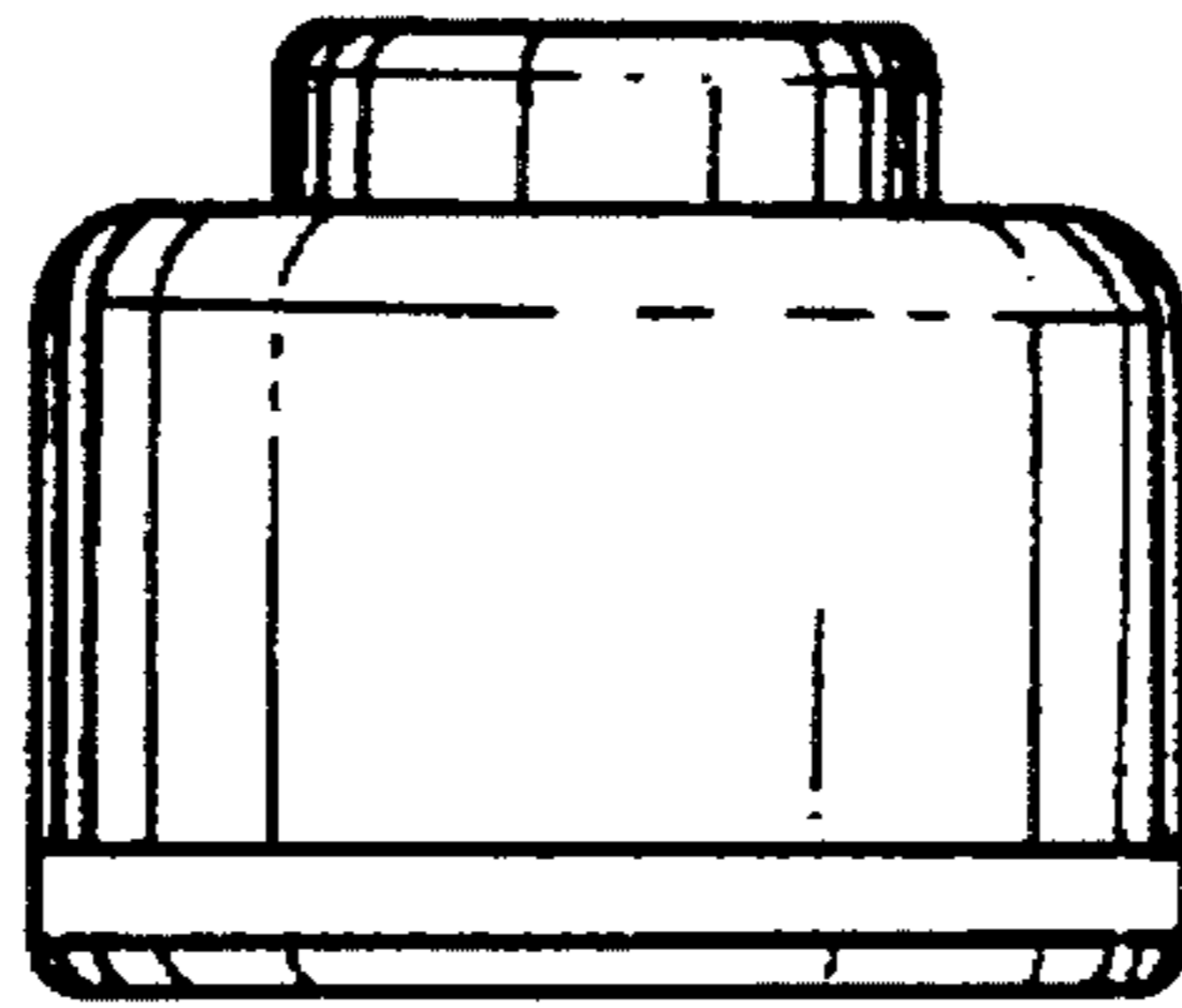


FIG. 2

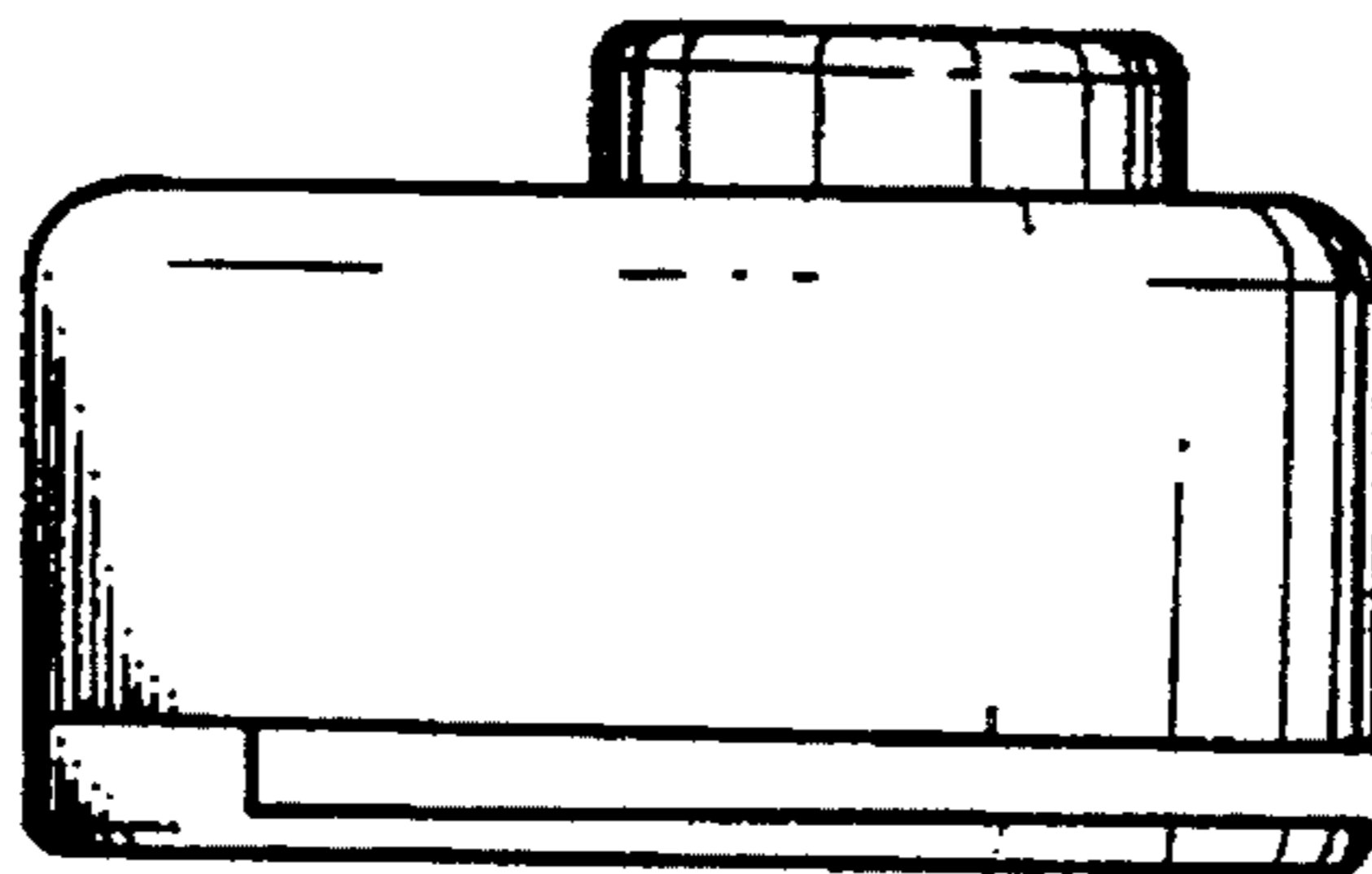


FIG. 3

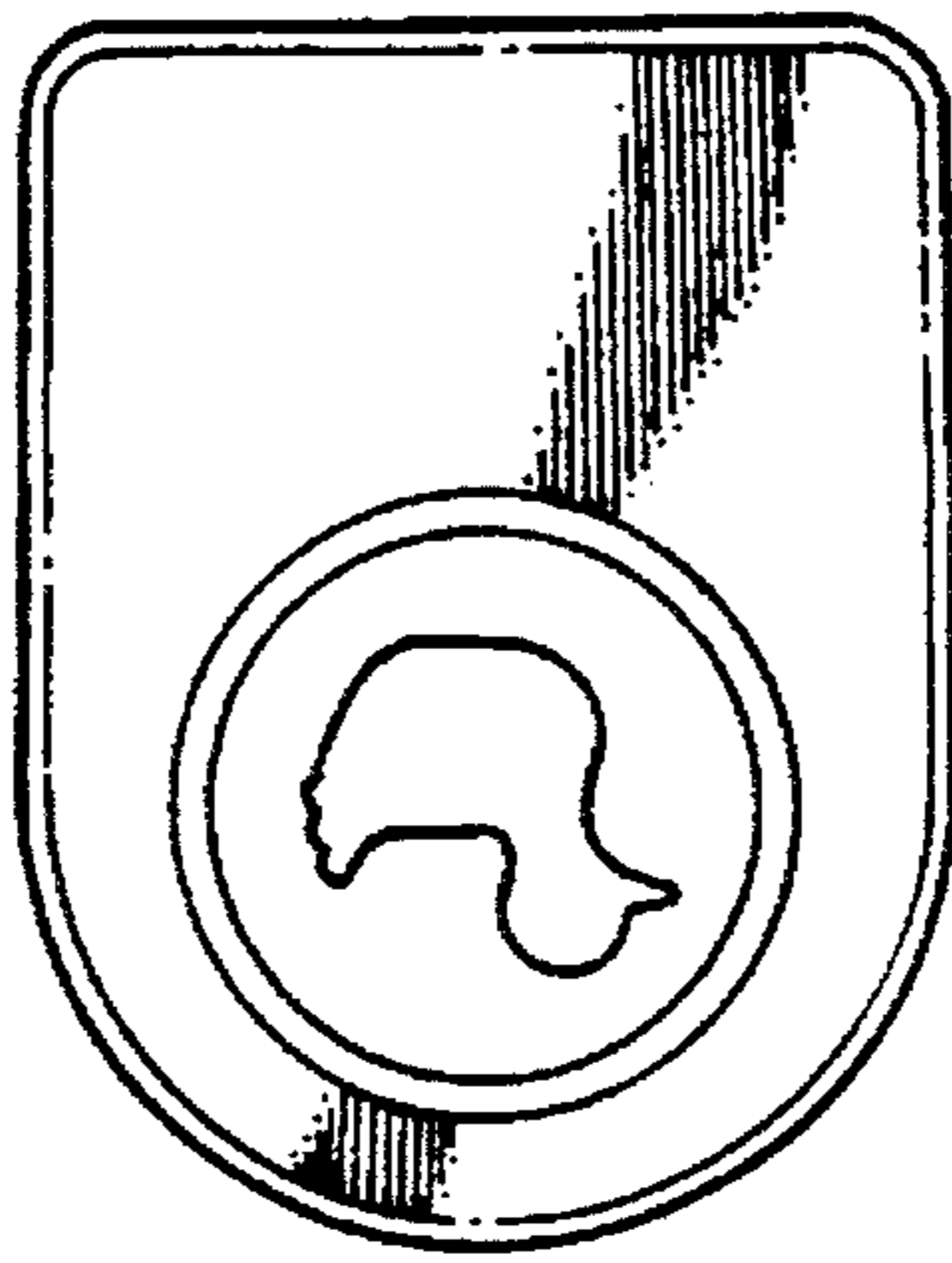


FIG. 4

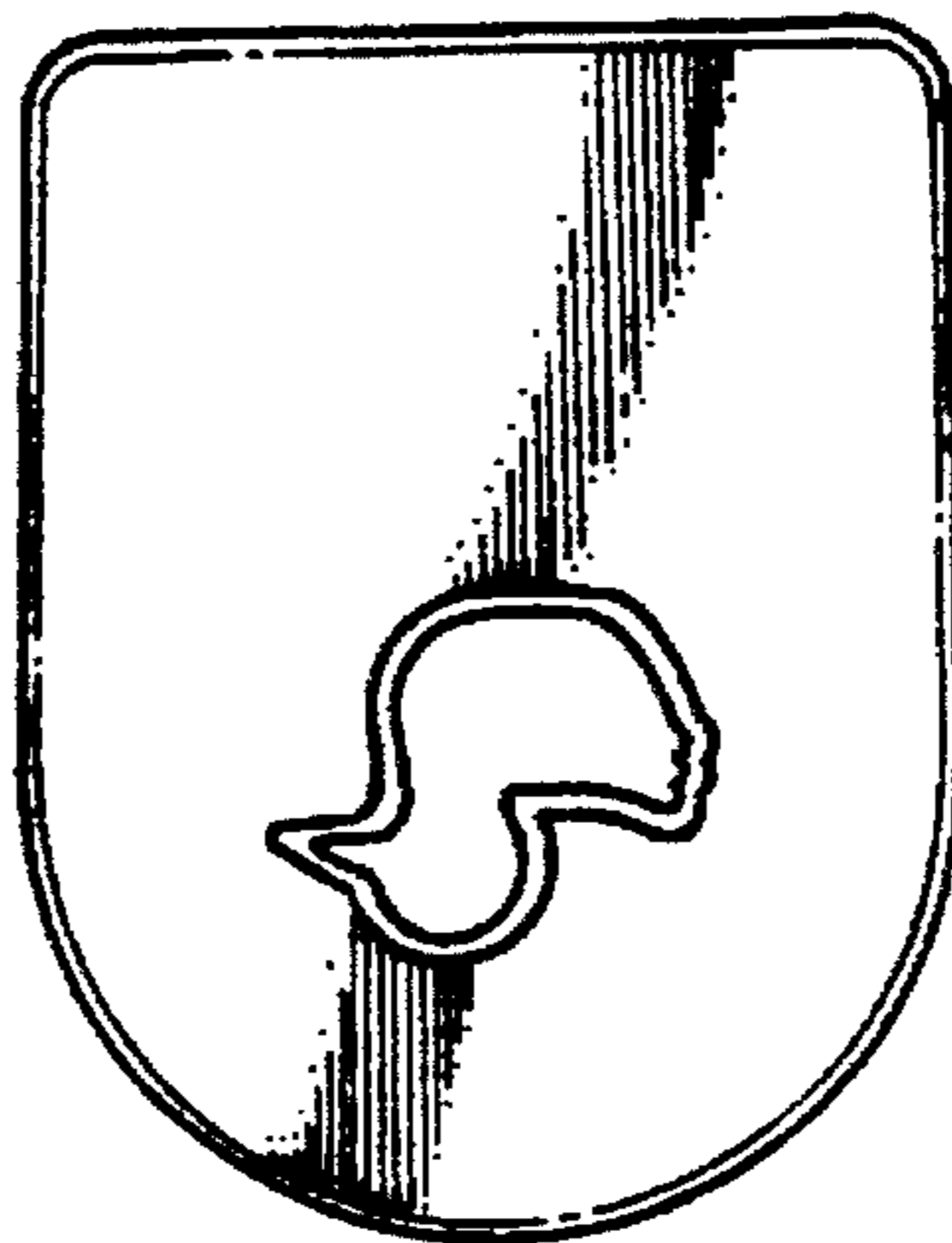


FIG. 5

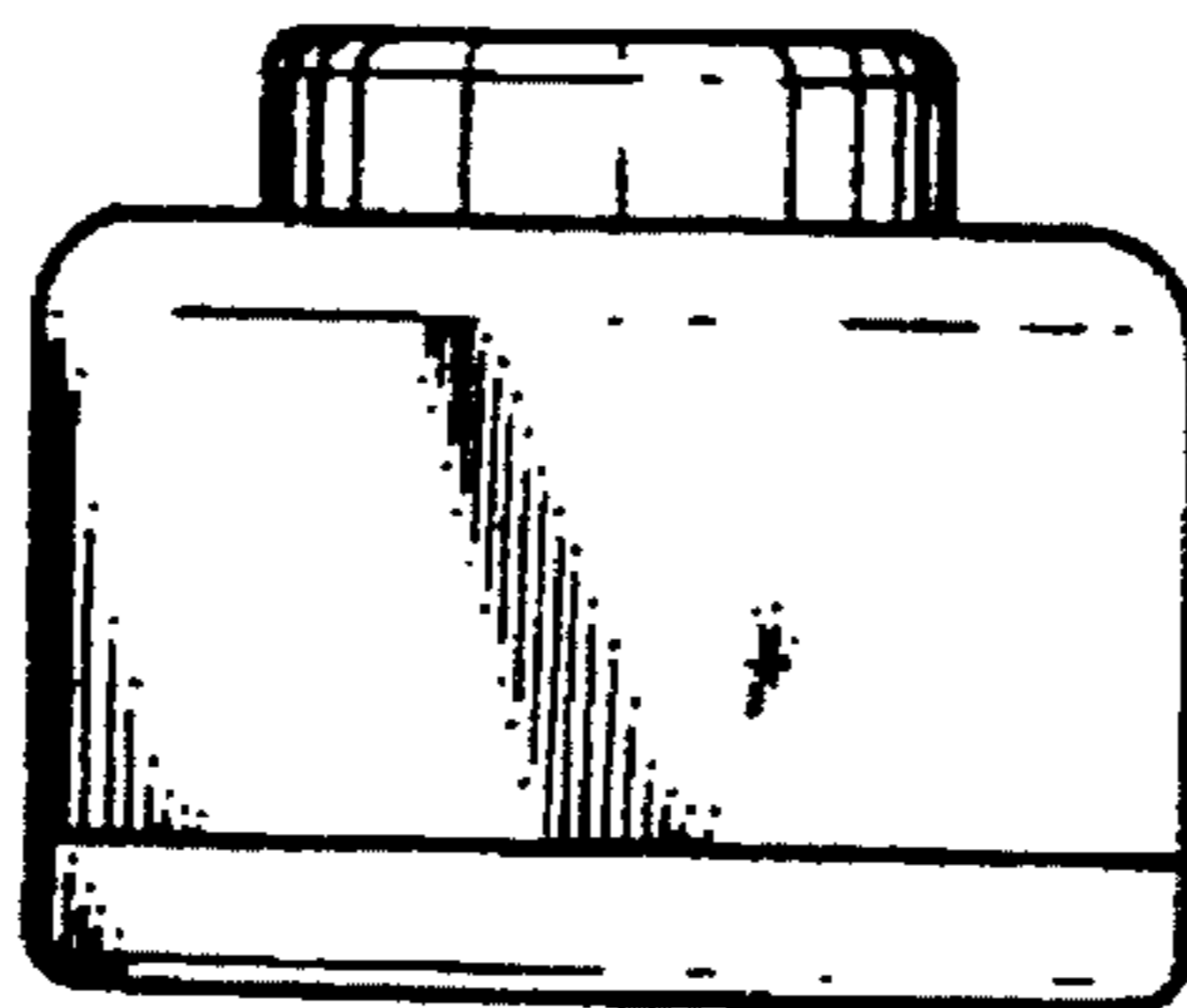


FIG. 6