



US00D364410S

United States Patent [19]
Schriever

[11] **Patent Number: Des. 364,410**

[45] **Date of Patent: **Nov. 21, 1995**

[54] **FASTENER APPLYING PRESS**

4,227,450 10/1980 Kreiskorte 100/266 X

[75] Inventor: **Frederick G. Schriever**, Grosse Pointe Shores, Mich.

OTHER PUBLICATIONS

Fasnap Corp Brochure (unknown).

[73] Assignee: **Snap Fast Industries**, Detroit, Mich.

Primary Examiner—Antoine Duval Davis
Attorney, Agent, or Firm—Brooks & Kushman

[**] Term: **14 Years**

[57] **CLAIM**

[21] Appl. No.: **11,536**

The ornamental design for a fastener applying press, as shown and described.

[22] Filed: **Aug. 9, 1993**

Related U.S. Application Data

DESCRIPTION

[63] Continuation-in-part of Ser. No. 839,449, Feb. 21, 1992, abandoned, which is a continuation-in-part of Ser. No. 792,082, Nov. 8, 1991, abandoned.

FIG. 1 is a top view of a fastener applying press showing my new design;

[52] **U.S. Cl.** **D15/123**

FIG. 2 is a side elevation of a fastener applying press showing my new design;

[58] **Field of Search** D15/122, 123;
24/662, 663, 901-906; 29/432.1, 432.2;
100/37, 264-268, 283, 284, 295, 296, 233,
902

FIG. 3 is a bottom view of a fastener applying press showing my new design;

[56] **References Cited**

FIG. 4 is a left-hand end view (having reference to FIG. 2) of a fastener applying press showing my new design;

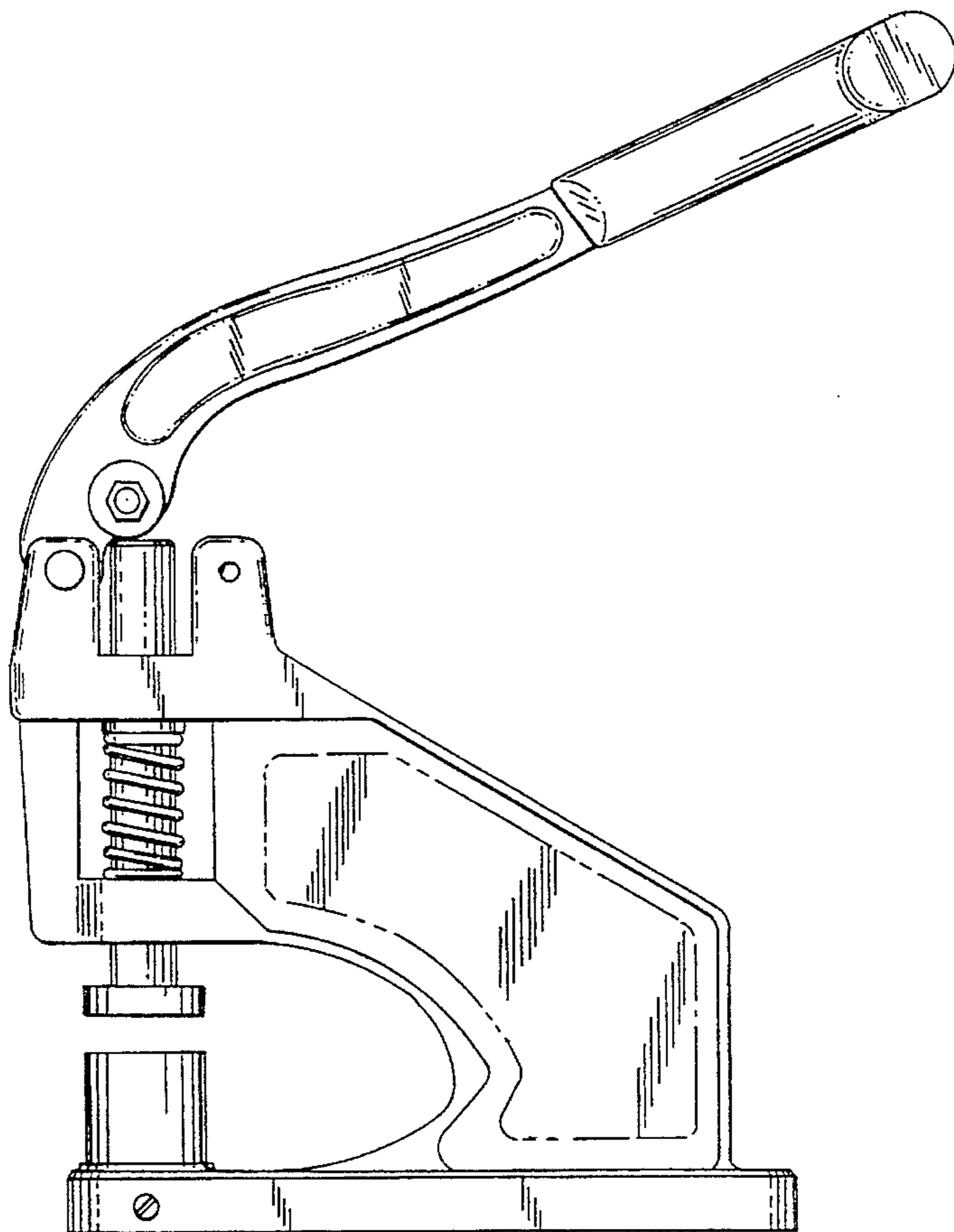
U.S. PATENT DOCUMENTS

D. 201,476	6/1965	Pratt	D15/123
D. 224,451	7/1972	Marks	D15/123
2,473,694	6/1949	Renick	D15/123 X
3,686,922	8/1972	Bley	D15/123 X
4,195,564	4/1980	Shiokawa	100/283 X

FIG. 5 is a right-hand end view (having reference to FIG. 2) of a fastener applying press showing my new design; and, FIG. 6 is a side elevation taken from the opposite side from that of FIG. 2 of a fastener applying press showing my new design.

The top portion of the handle has been removed for ease of illustration in FIGS. 3-6.

1 Claim, 2 Drawing Sheets



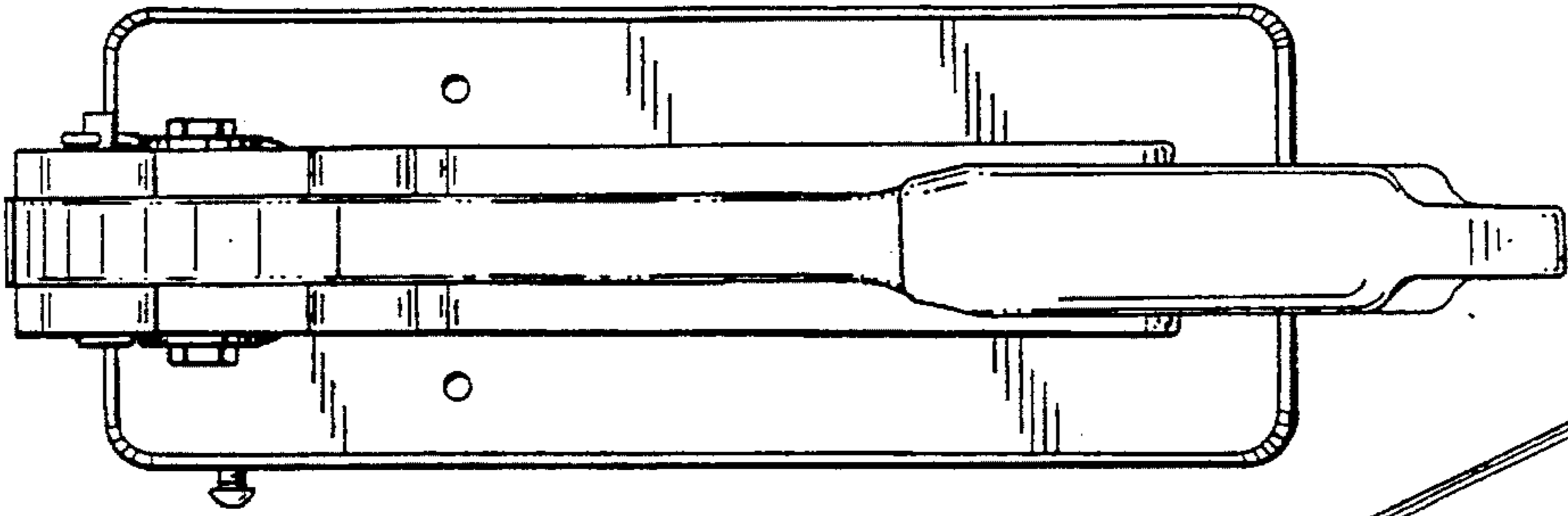


FIG. 1

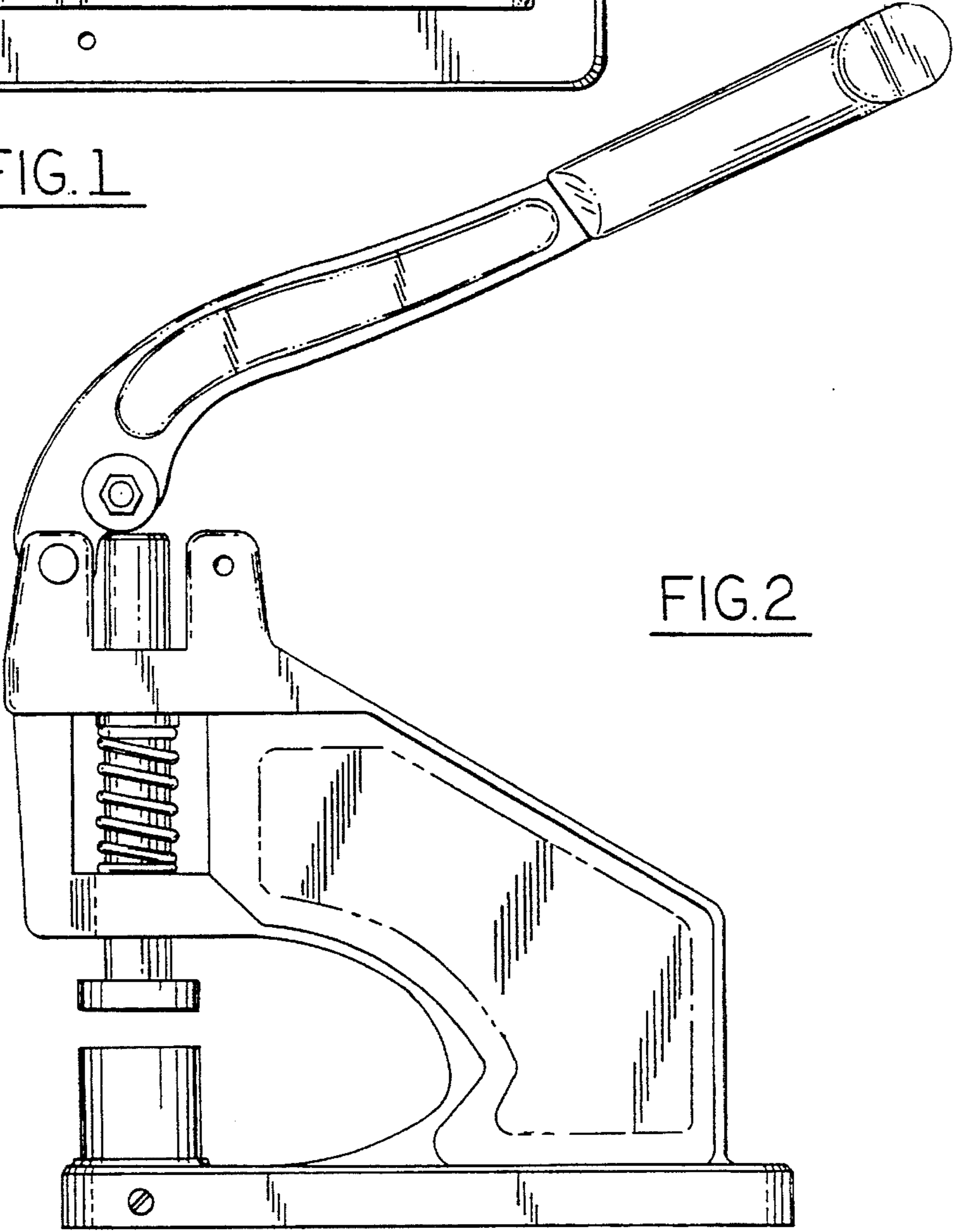


FIG. 2

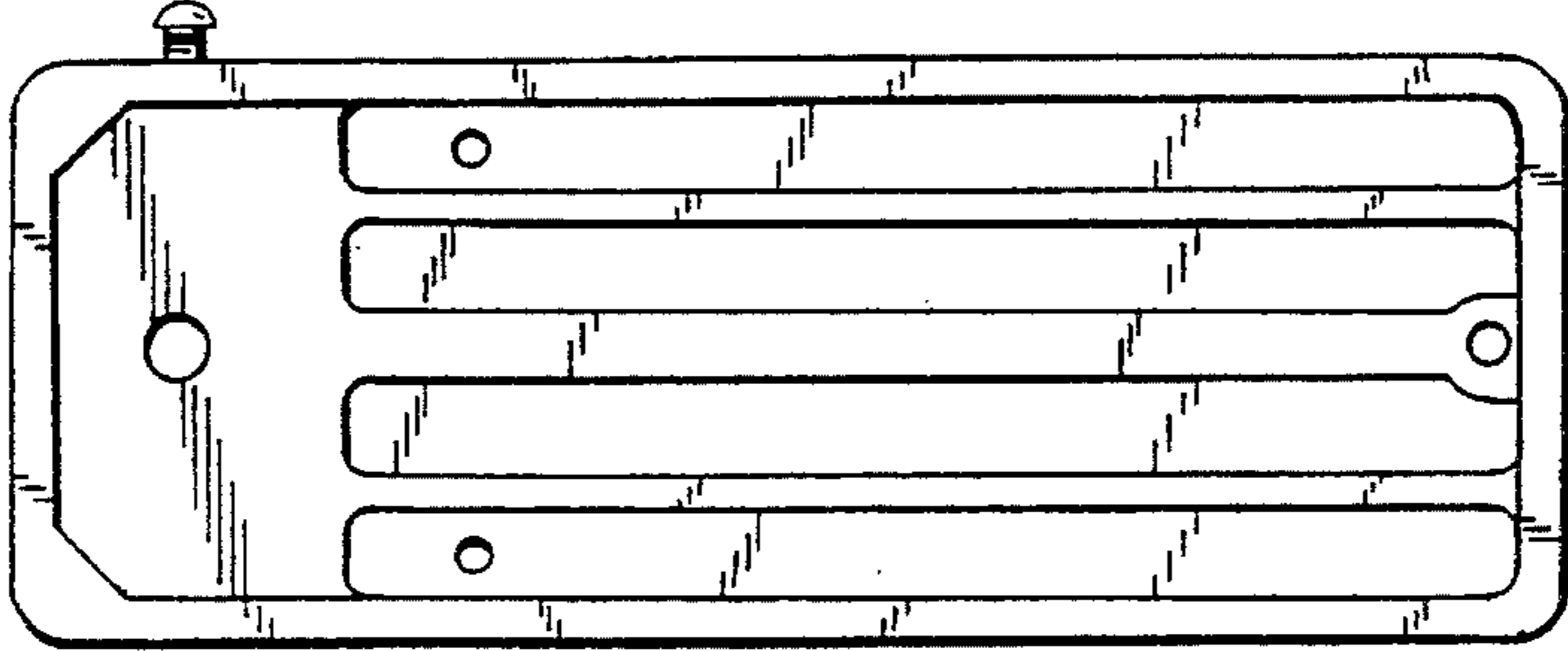


FIG. 3

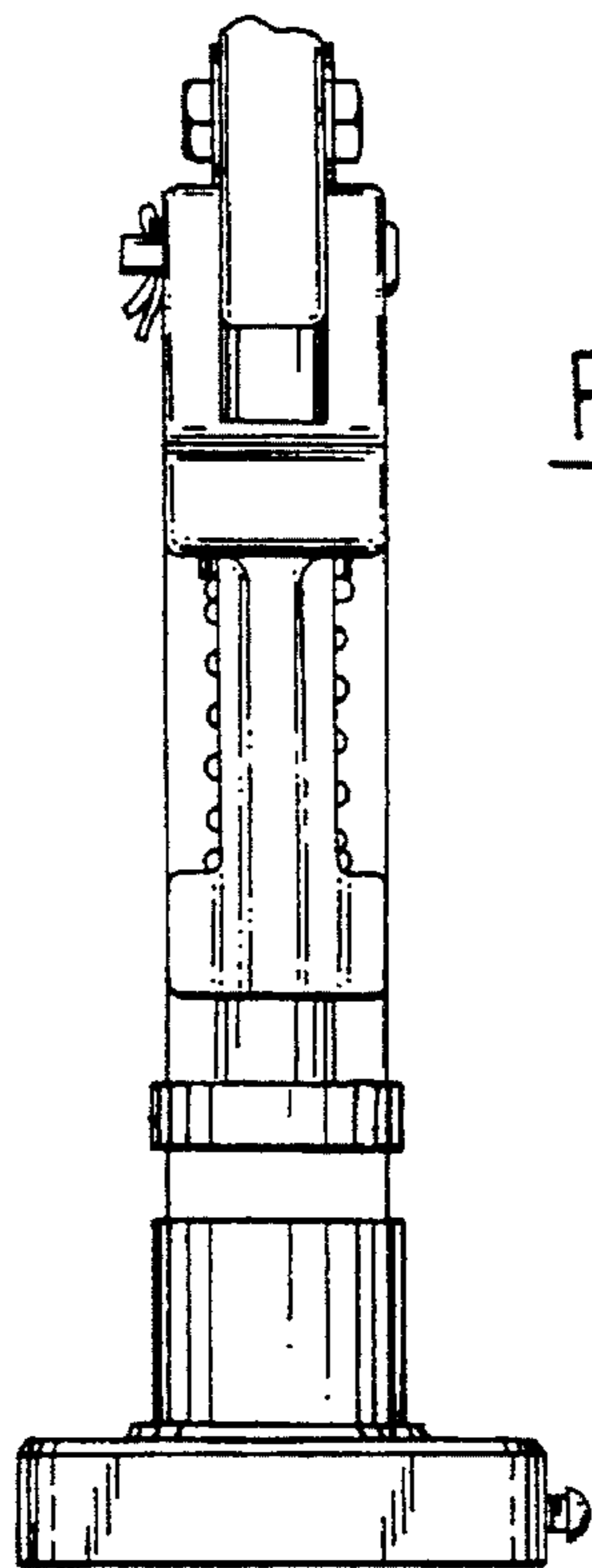


FIG. 4

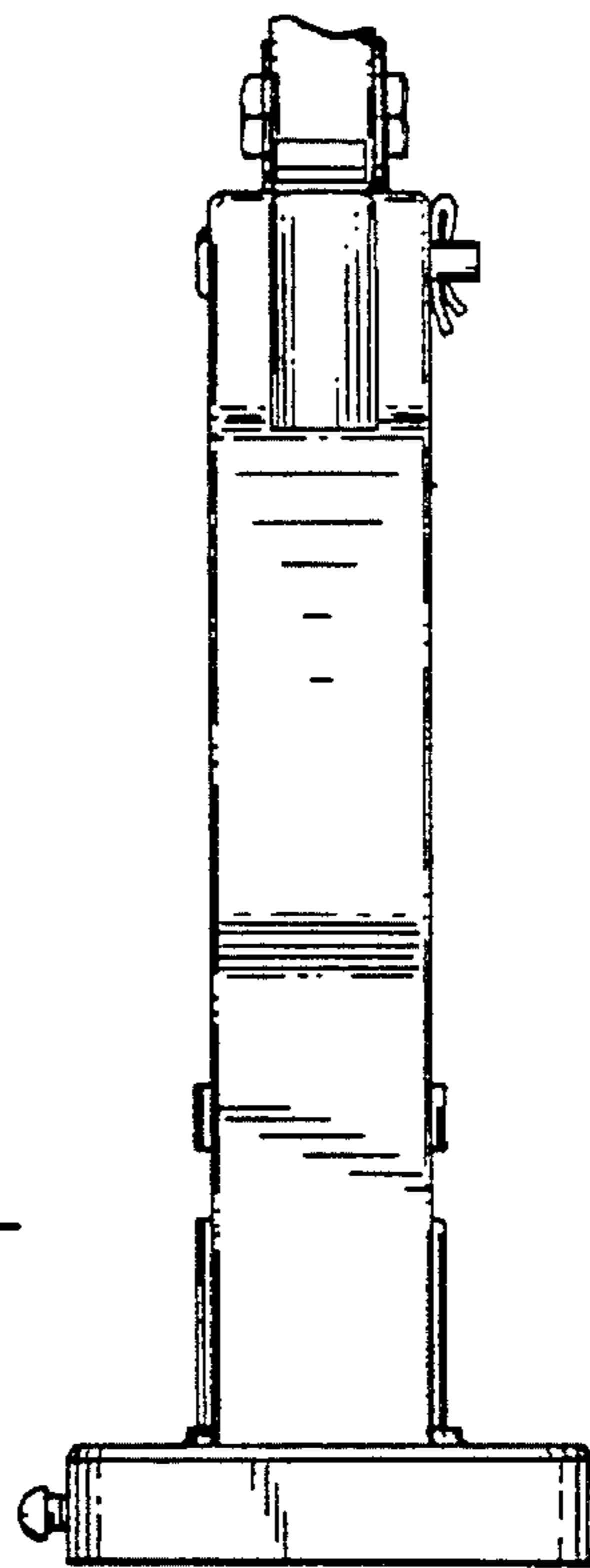


FIG. 5

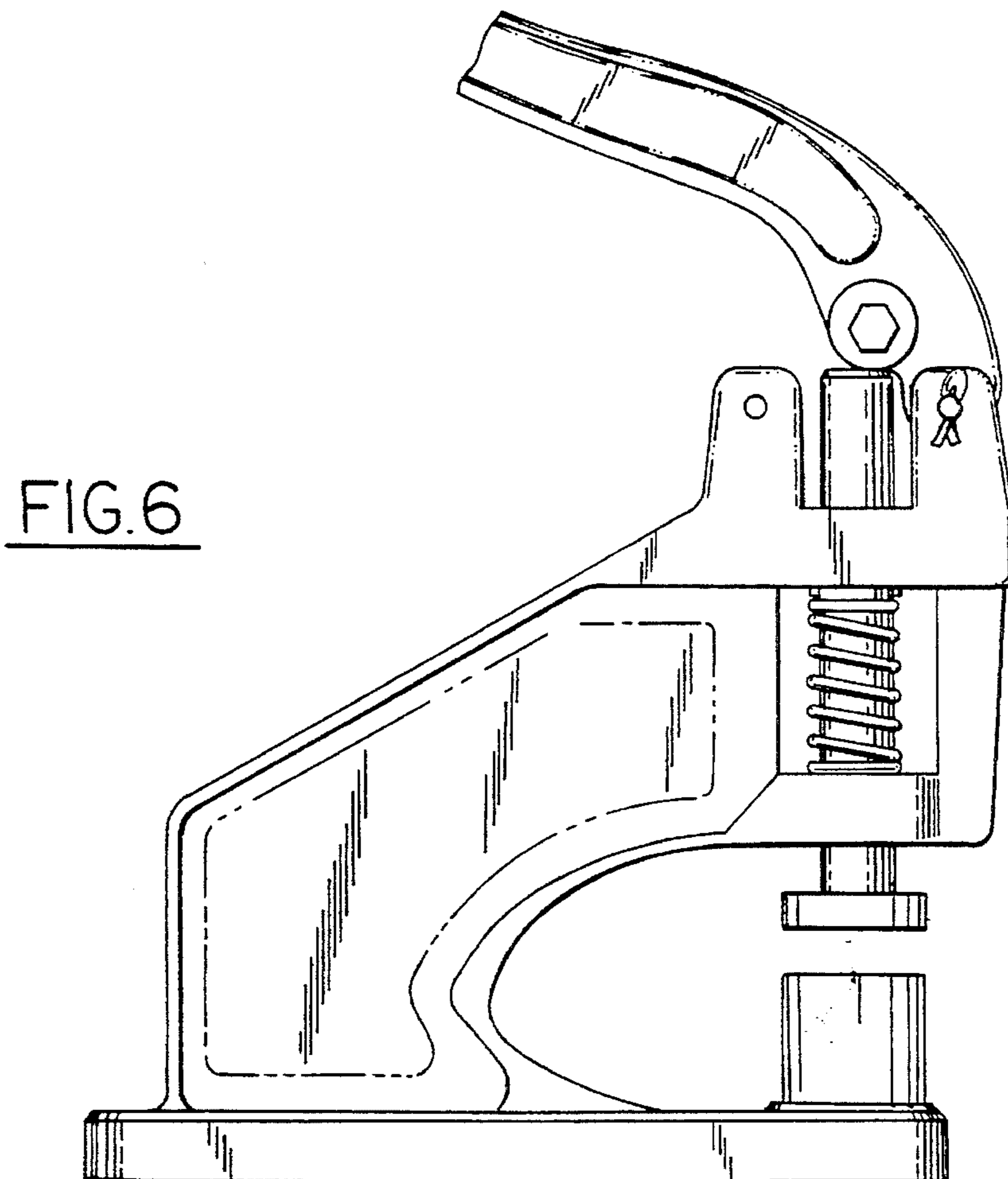


FIG. 6