



US00D364407S

United States Patent [19]

[11] Patent Number: **Des. 364,407**

Bold et al.

[45] Date of Patent: ****Nov. 21, 1995**

[54] **CHIPPER/SHREDDER VACUUM APPARATUS**

D. 350,546	9/1994	Connolly et al.	D15/10
4,074,869	2/1978	Johnson	241/55
5,231,827	8/1993	Connolly et al.	D15/10

[75] Inventors: **Alfred J. Bold**, Waterford; **Kevin J. Connolly**, Ballston Lake; **Steven E. Kodesch**, Schenectady; **Irving Lobdell**, Averill Park; **Bruce E. Roberts**, Waterford; **Carmen M. Satalino**, Johnsonville, all of N.Y.

OTHER PUBLICATIONS

Sears Birthday Bash Catalog, Vacuum/Shredder Bugger/Blower #79681.

Primary Examiner—Sandra Morris

[73] Assignee: **Garden Way Incorporated**, Troy, N.Y.

[57] CLAIM

[**] Term: **14 Years**

The ornamental design for a chipper/shredder vacuum apparatus, as shown and described.

[21] Appl. No.: **23,820**

DESCRIPTION

[22] Filed: **Jun. 1, 1994**

[52] U.S. Cl. **D15/10**

[58] Field of Search D15/10, 14-17; 56/13.3, 13.4, 15.8, 16.1, 16.4 AR, 16.7, 16.8, 17.1, 17.5, 202, 255, 294, 320.1, 320.2; 239/289, 681-689; 241/55, 56, 73.92, 101.7, 186 R, 282.2

FIG. 1 is a perspective view of our design for a chipper/shredder vacuum apparatus;
 FIG. 2 is a top plan view of the design for a chipper/shredder vacuum apparatus;
 FIG. 3 is a bottom plan view of the design for a chipper/shredder vacuum apparatus;
 FIG. 4 is the front elevational view of the design;
 FIG. 5 is a right side elevational view of the design;
 FIG. 6 is a left side elevational view of the design; and,
 FIG. 7 is a rear view of the design.

[56] References Cited

U.S. PATENT DOCUMENTS

D. 345,983 4/1994 Bold et al. D15/10

1 Claim, 7 Drawing Sheets

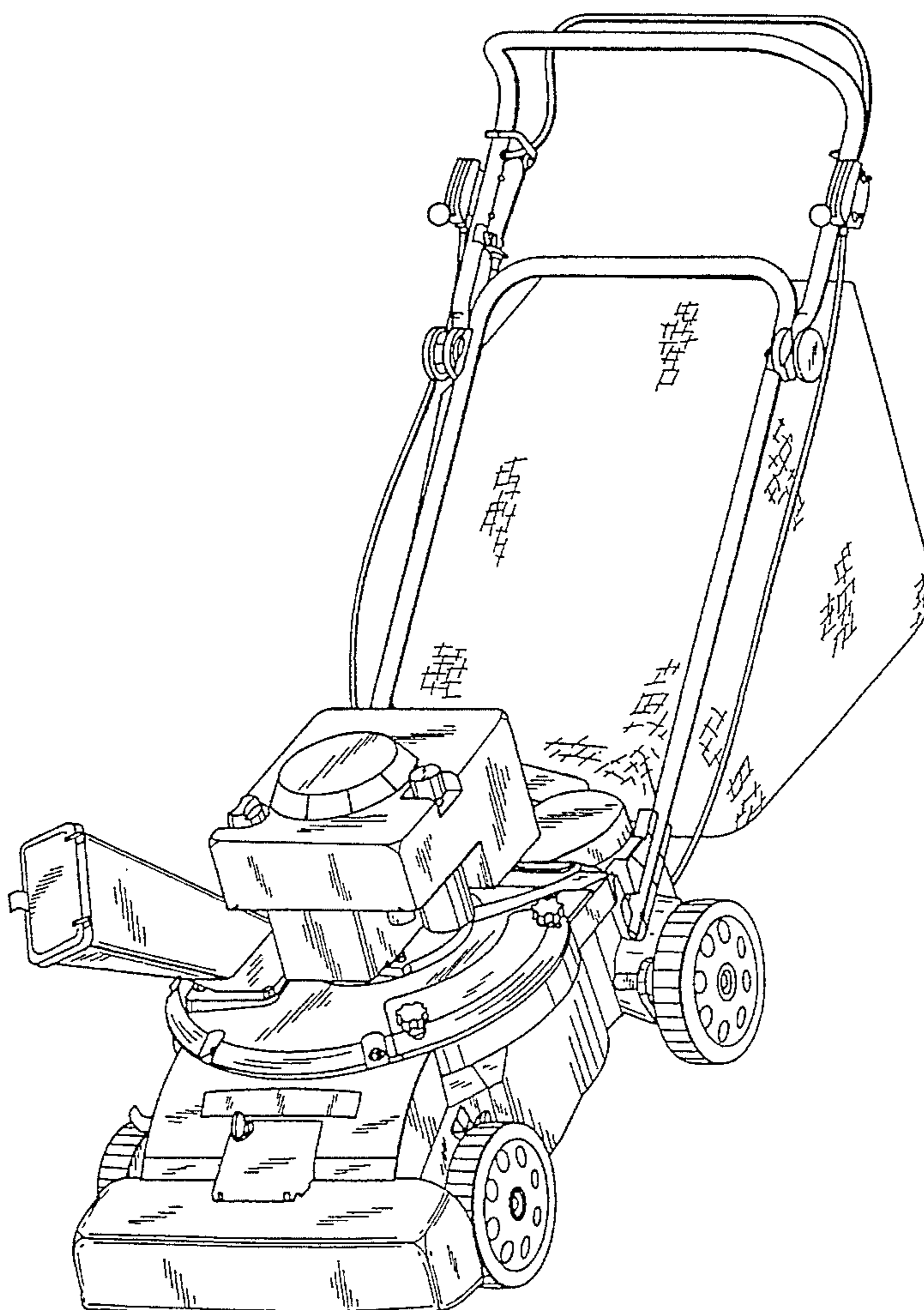


FIG. 1

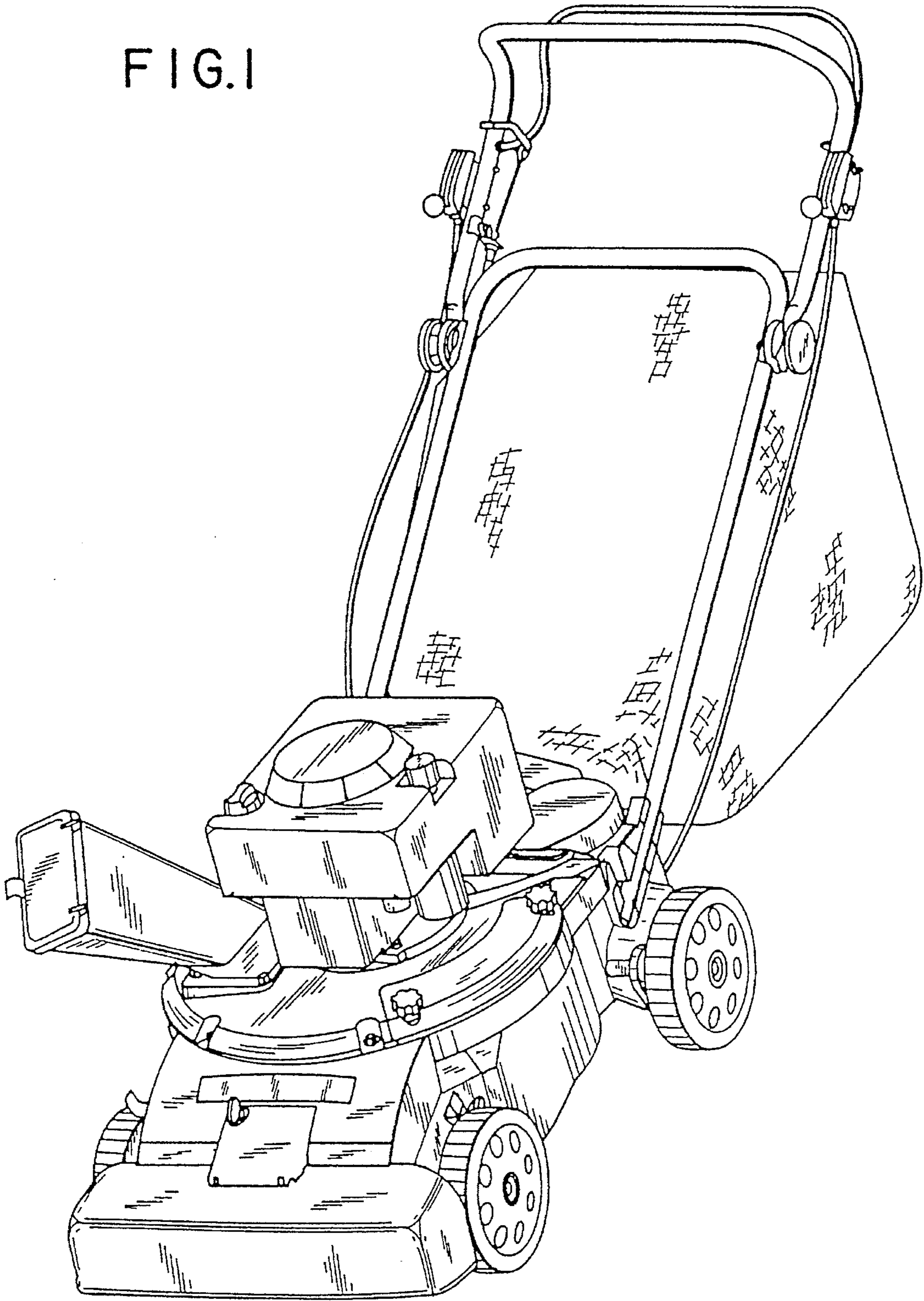


FIG. 2

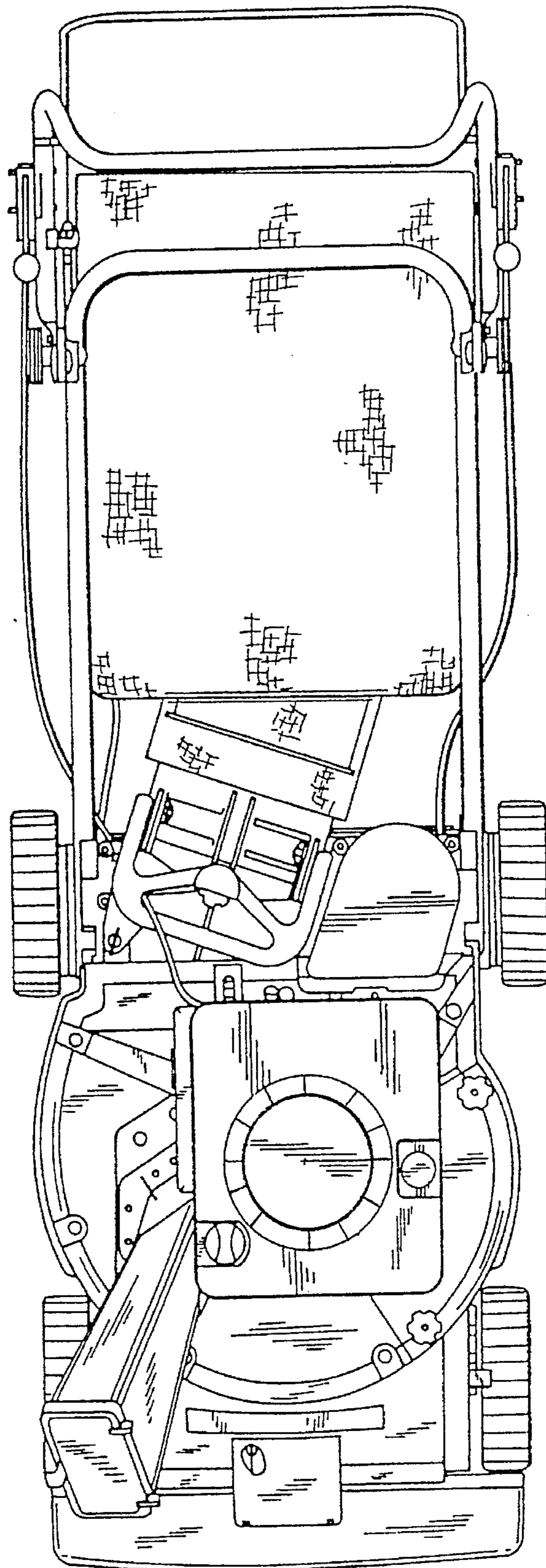


FIG. 3

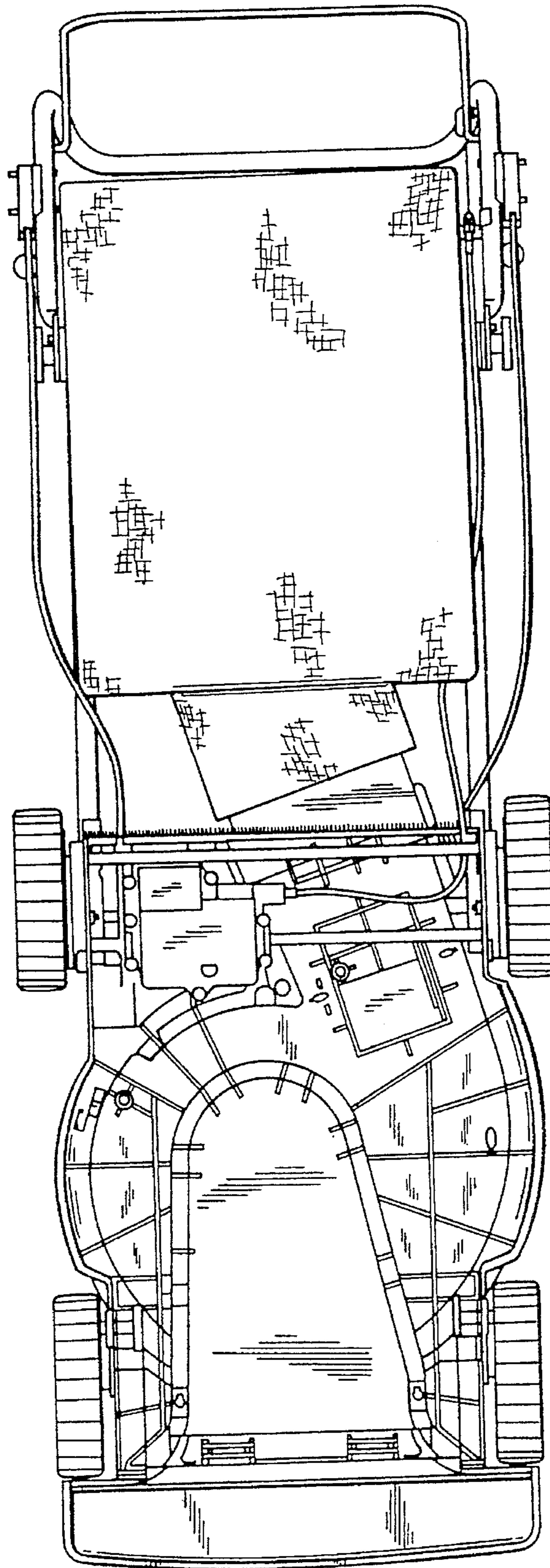


FIG. 4

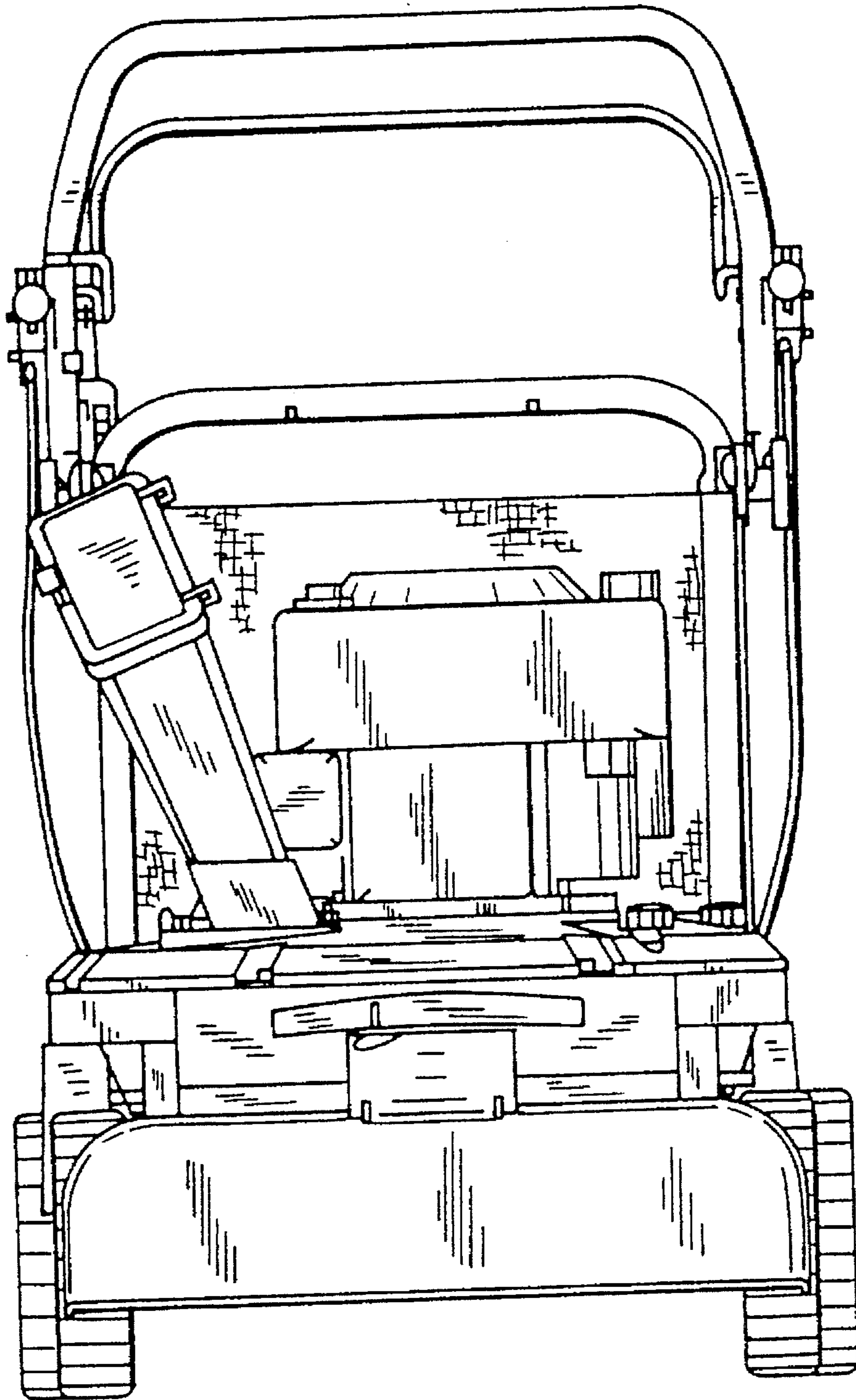
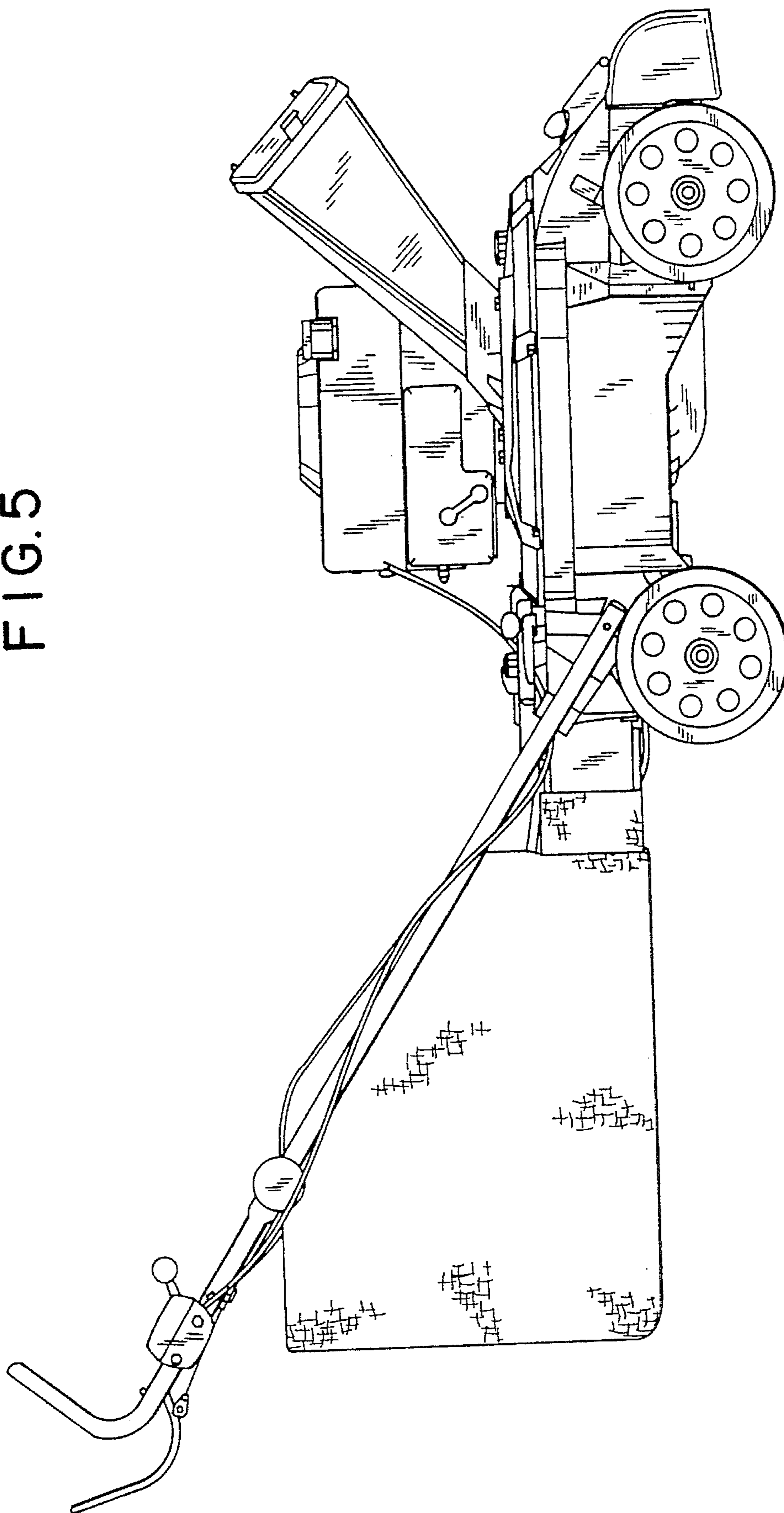


FIG. 5



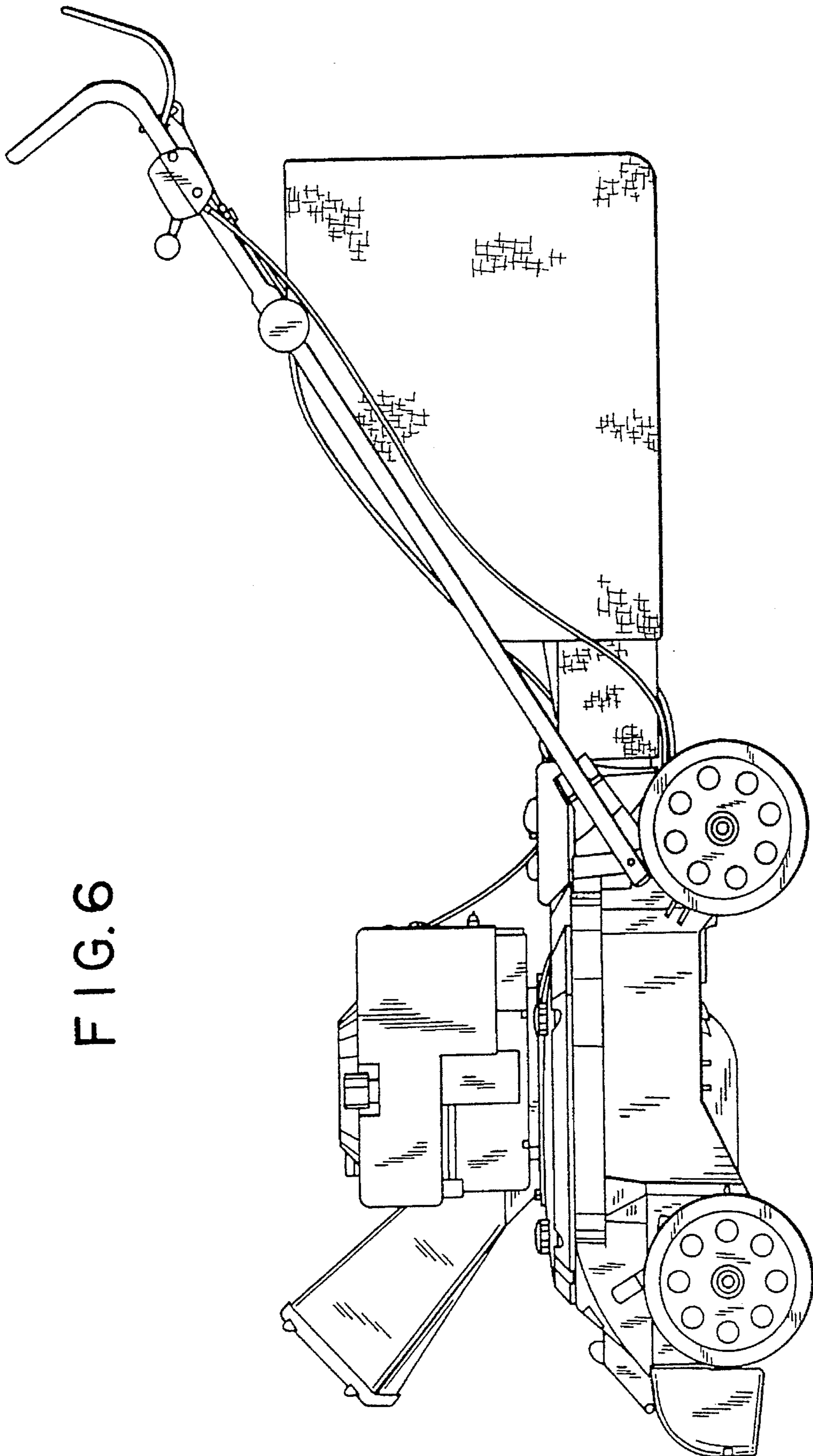


FIG. 6

FIG. 7

