



US00D364403S

**United States Patent** [19]  
**Bailey**

[11] **Patent Number: Des. 364,403**

[45] **Date of Patent: \*\*Nov. 21, 1995**

[54] **TAPE REEL FOR A VIDEOCASSETTE**

5,199,661 4/1993 Gelardi et al. .... 242/345.2  
5,370,332 12/1994 Goff et al. .... 242/344

[75] Inventor: **John A. Bailey**, Woodbury, Minn.

**FOREIGN PATENT DOCUMENTS**

[73] Assignee: **Minnesota Mining and Manufacturing Company**, St. Paul, Minn.

1324300 3/1963 France ..... 242/614

[\*\*] Term: **14 Years**

*Primary Examiner*—Terry A. Wallace  
*Assistant Examiner*—Nanda Bondade  
*Attorney, Agent, or Firm*—Gary L. Griswold; Walter N. Kirn; Charles D. Levine

[21] Appl. No.: **20,919**

[57] **CLAIM**

[22] Filed: **Apr. 5, 1994**

[52] U.S. Cl. .... **D14/122**

The ornamental design for a tape reel for a videocassette, as shown and described.

[58] Field of Search ..... D14/120, 122,  
D14/123; 242/345, 345.1-345.3, 613.5,  
614, 614.1

**DESCRIPTION**

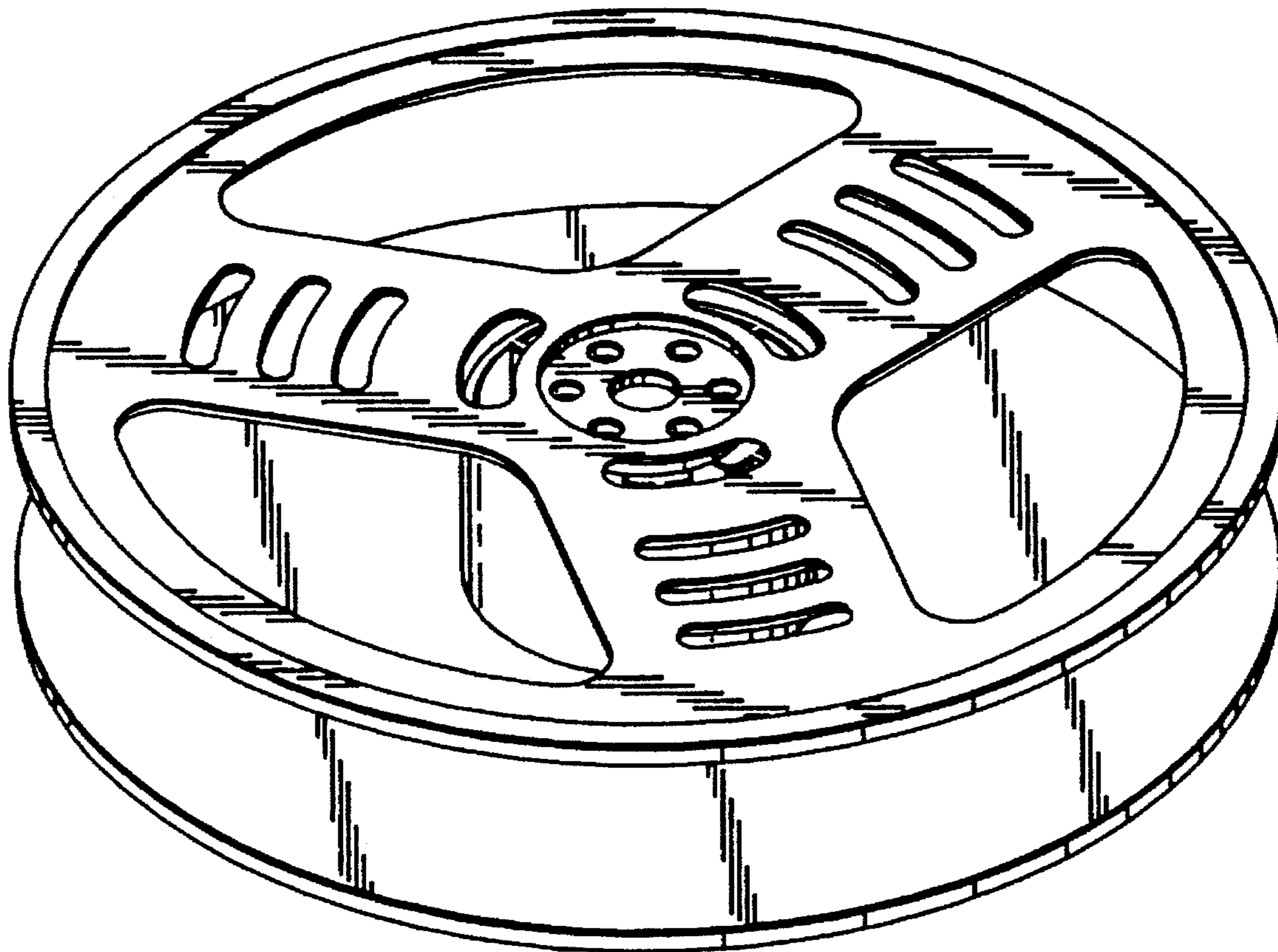
[56] **References Cited**

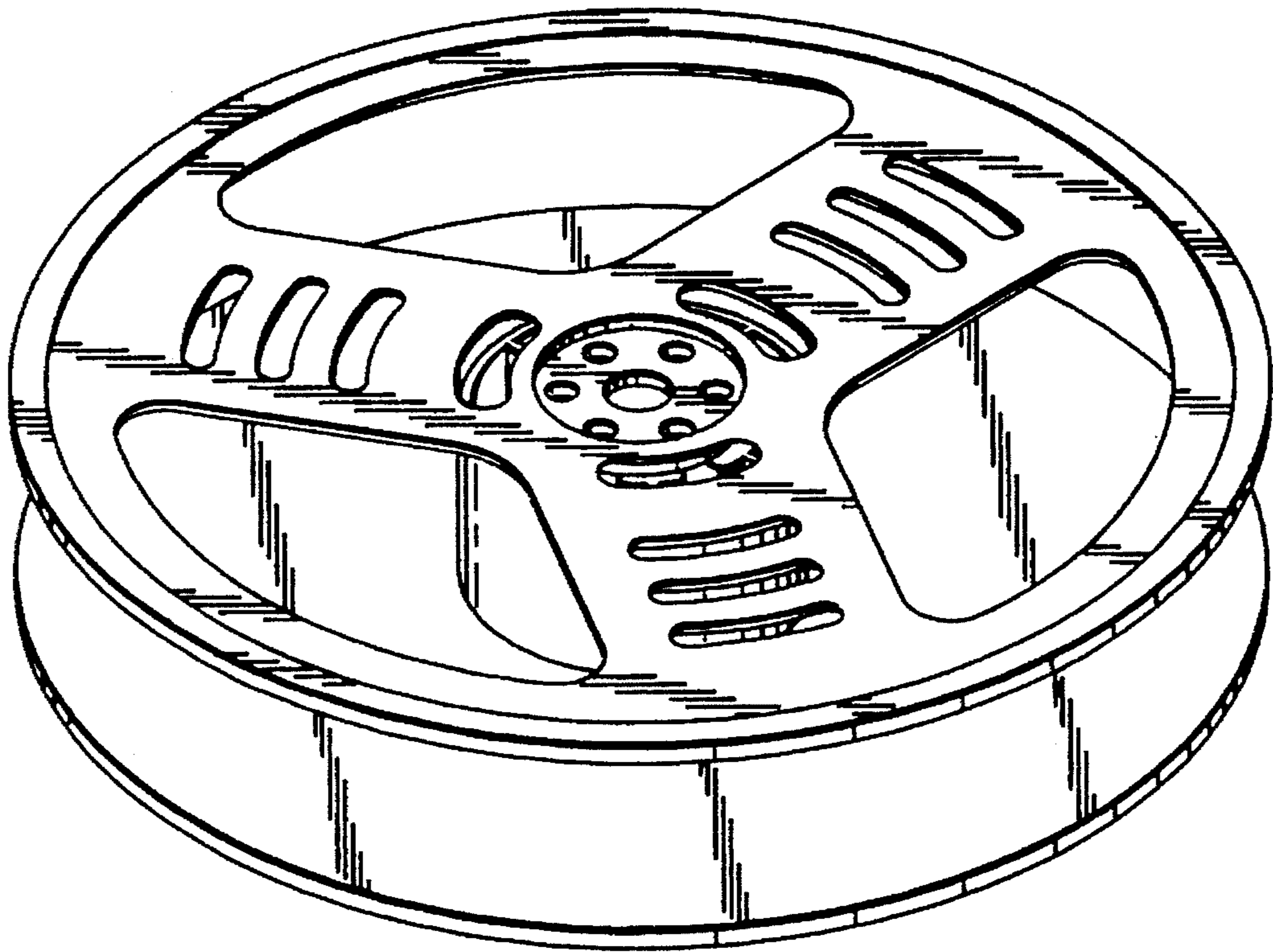
**U.S. PATENT DOCUMENTS**

D. 199,650 11/1964 Sheppley, Jr. .... D14/122  
D. 337,579 7/1993 Roberts et al. .... D14/122  
4,501,396 2/1985 Tomasyck et al. .... 242/199  
4,754,357 6/1988 Nelson ..... 360/132  
4,846,419 7/1989 Tateno et al. .... 242/614

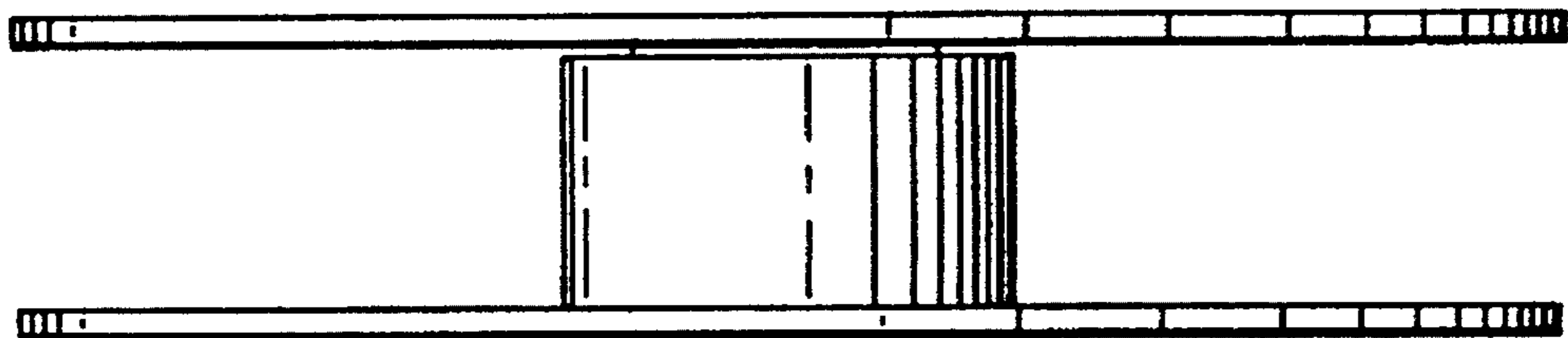
FIG. 1 is a perspective view of a tape reel for a videocassette showing my new design;  
FIG. 2 is a side elevational view thereof, the remaining sides being identical;  
FIG. 3 is a top plan view thereof; and,  
FIG. 4 is a bottom plan view thereof.

**1 Claim, 2 Drawing Sheets**

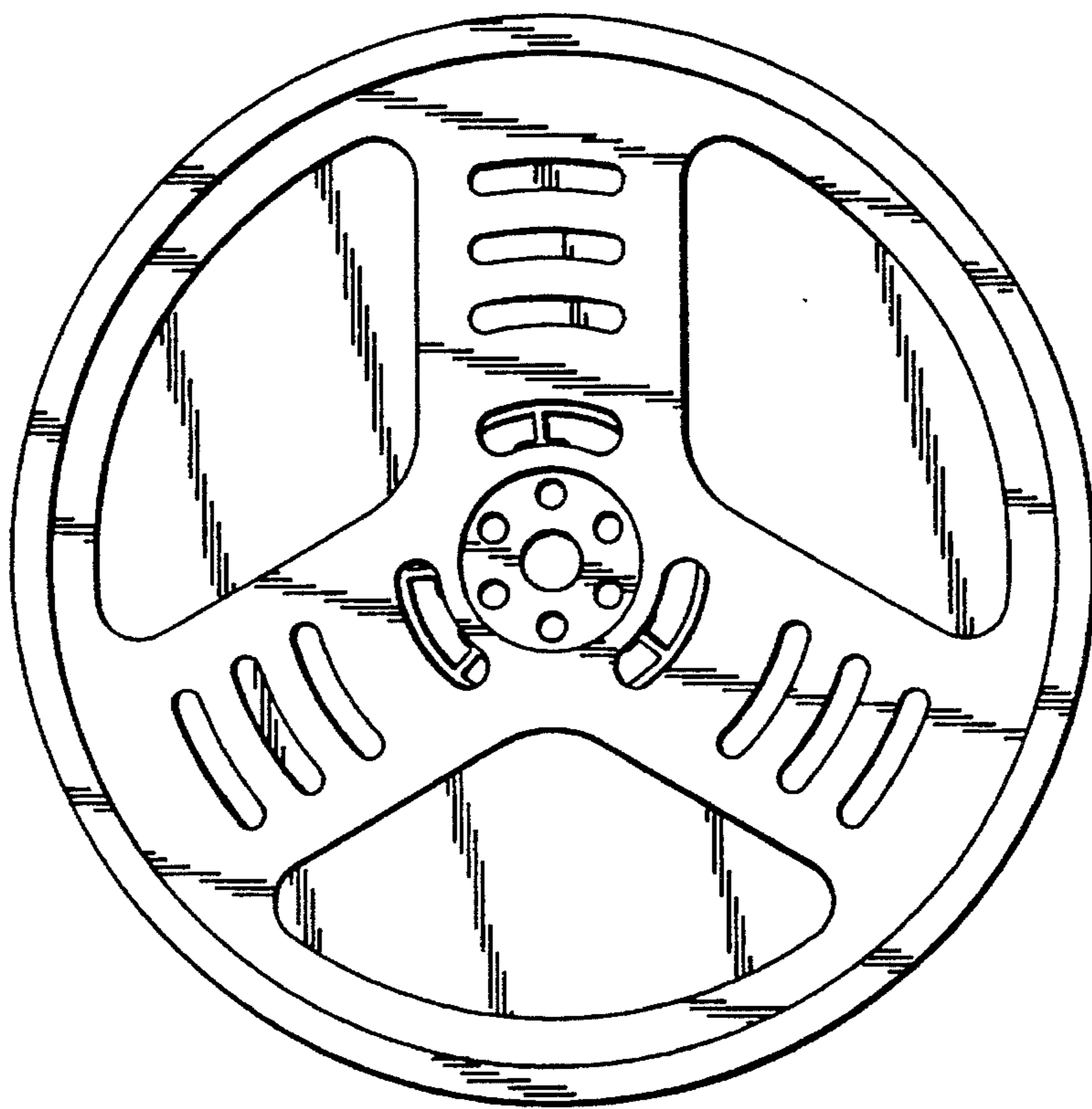




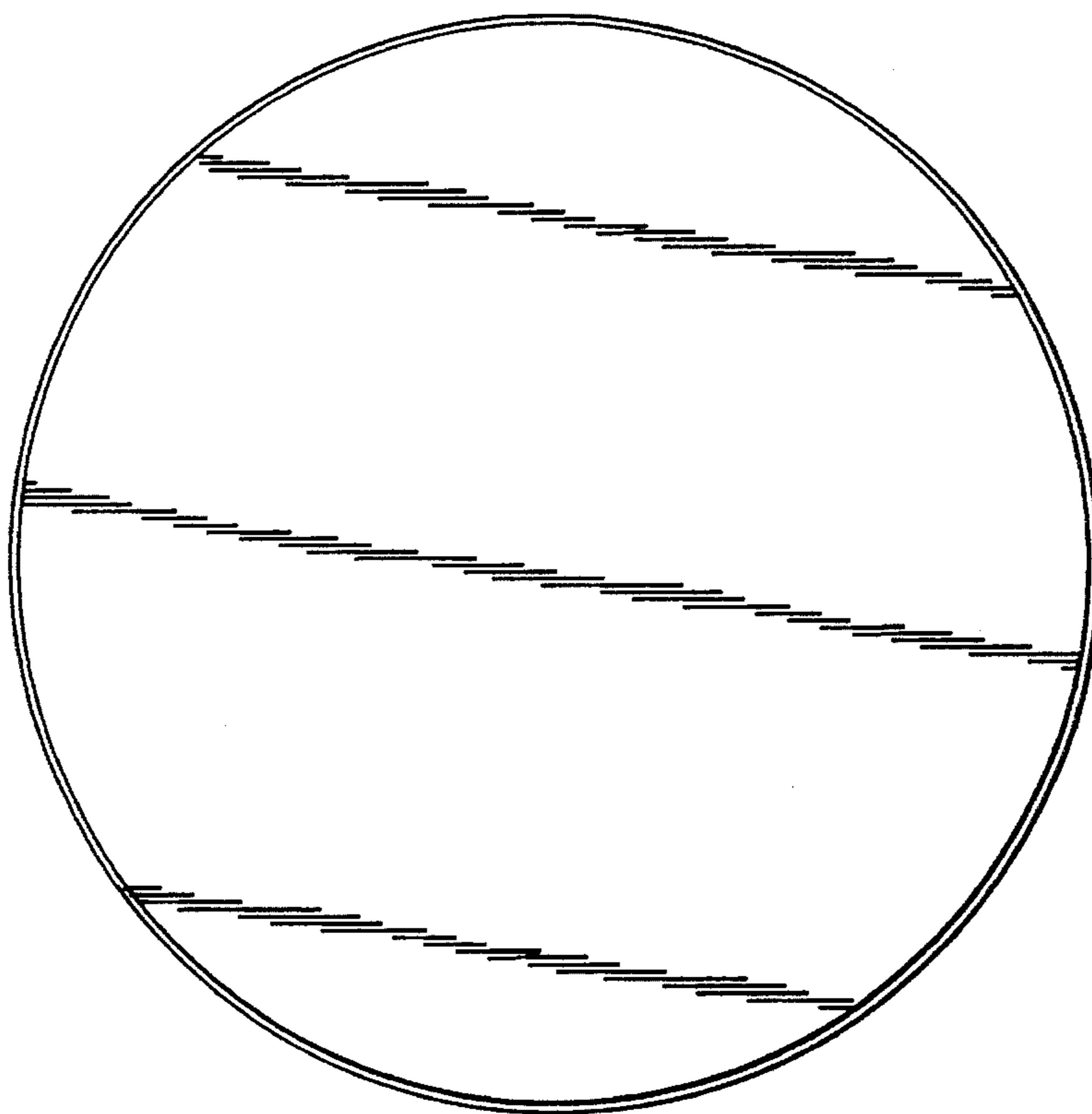
**Fig. 1**



**Fig. 2**



**Fig. 3**



**Fig. 4**