



US00D364401S

United States Patent [19]

[11] Patent Number: **Des. 364,401**

Bailey et al.

[45] Date of Patent: ****Nov. 21, 1995**

[54] **VIDEOCASSETTE**

4,501,396	2/1985	Tomsyck et al.	242/199
4,754,357	6/1988	Nelson	360/132
4,771,886	9/1988	Johnson	206/387.13
4,850,547	7/1989	Uemura	242/347

[75] Inventors: **John A. Bailey**, Woodbury; **Glenn A. Bloomer**, Maplewood; **Gregory H. Johnson**, Oakdale, all of Minn.; **Mark J. Ciesko**, Hilliard; **Donald J. Staufenberg**, Dublin, both of Ohio

Primary Examiner—Ted Shooman
Assistant Examiner—Nanda Bondade
Attorney, Agent, or Firm—Gary L. Griswold; Walter N. Kim; Charles D. Levine

[73] Assignee: **Minnesota Mining and Manufacturing Company**, St. Paul, Minn.

[57] CLAIM

[**] Term: **14 Years**

The ornamental design for a videocassette, as shown and described.

[21] Appl. No.: **20,899**

DESCRIPTION

[22] Filed: **Apr. 5, 1994**

FIG. 1 is a perspective view of a videocassette showing our new design;

[52] U.S. Cl. **D14/121**

FIG. 2 is a front view thereof;

[58] Field of Search D14/120-123,

FIG. 3 is a rear view thereof;

D14/299; 206/387.1, 387.12-387.15; 242/342-345, 345.1-345.3, 346, 346.1; 360/132

FIG. 4 is a top view thereof;

FIG. 5 is a bottom view thereof;

[56] References Cited

U.S. PATENT DOCUMENTS

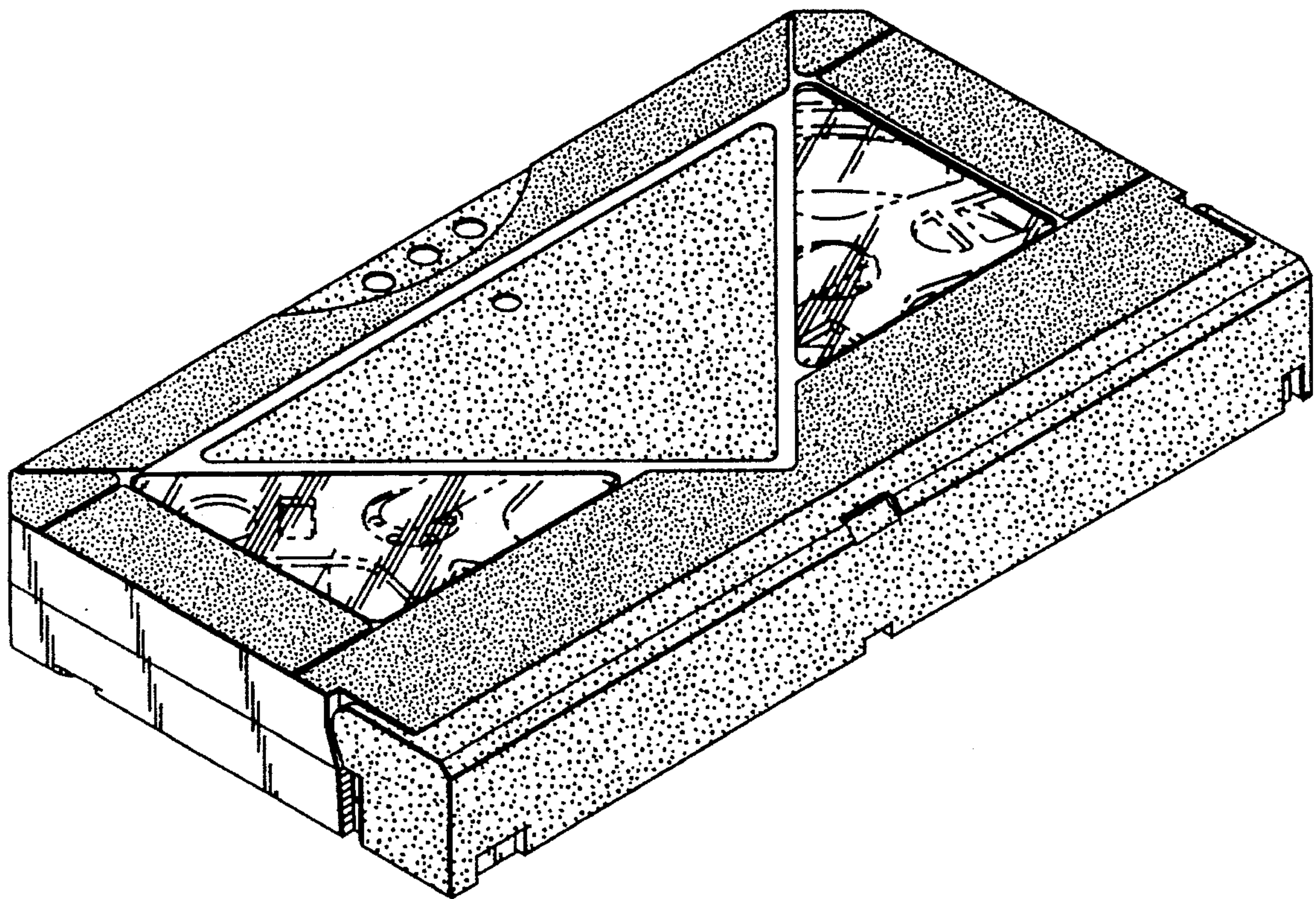
D. 351,379	10/1994	Suzuki	D14/121
D. 351,380	10/1994	Suzuki	D14/121
4,293,266	10/1981	St. Lawrence et al.	206/387.13

FIG. 6 is a right side view thereof; and,

FIG. 7 is a left side view thereof.

The broken line showing of the tape reel is for illustrative purposes only and forms no part of the claimed design.

1 Claim, 3 Drawing Sheets



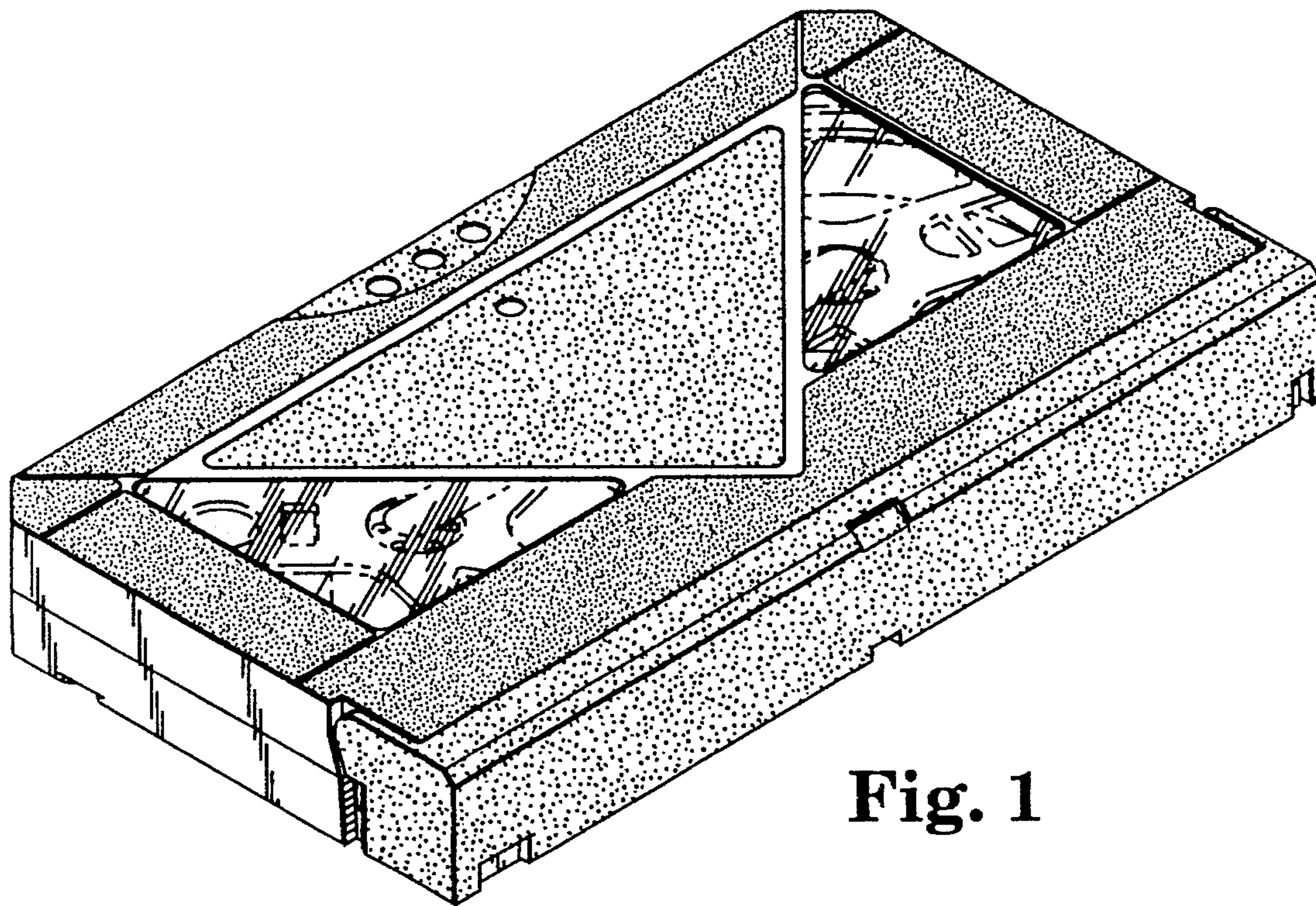


Fig. 1

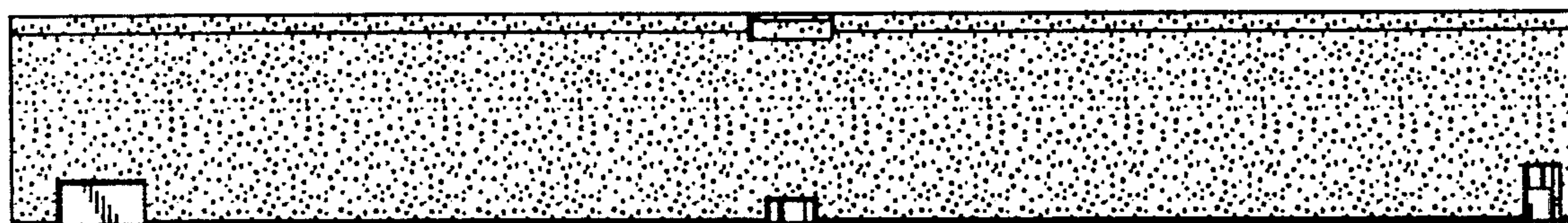


Fig. 2

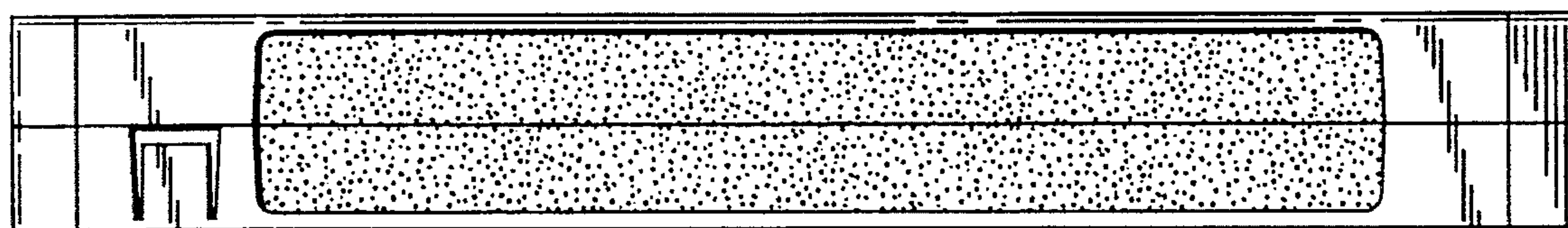


Fig. 3

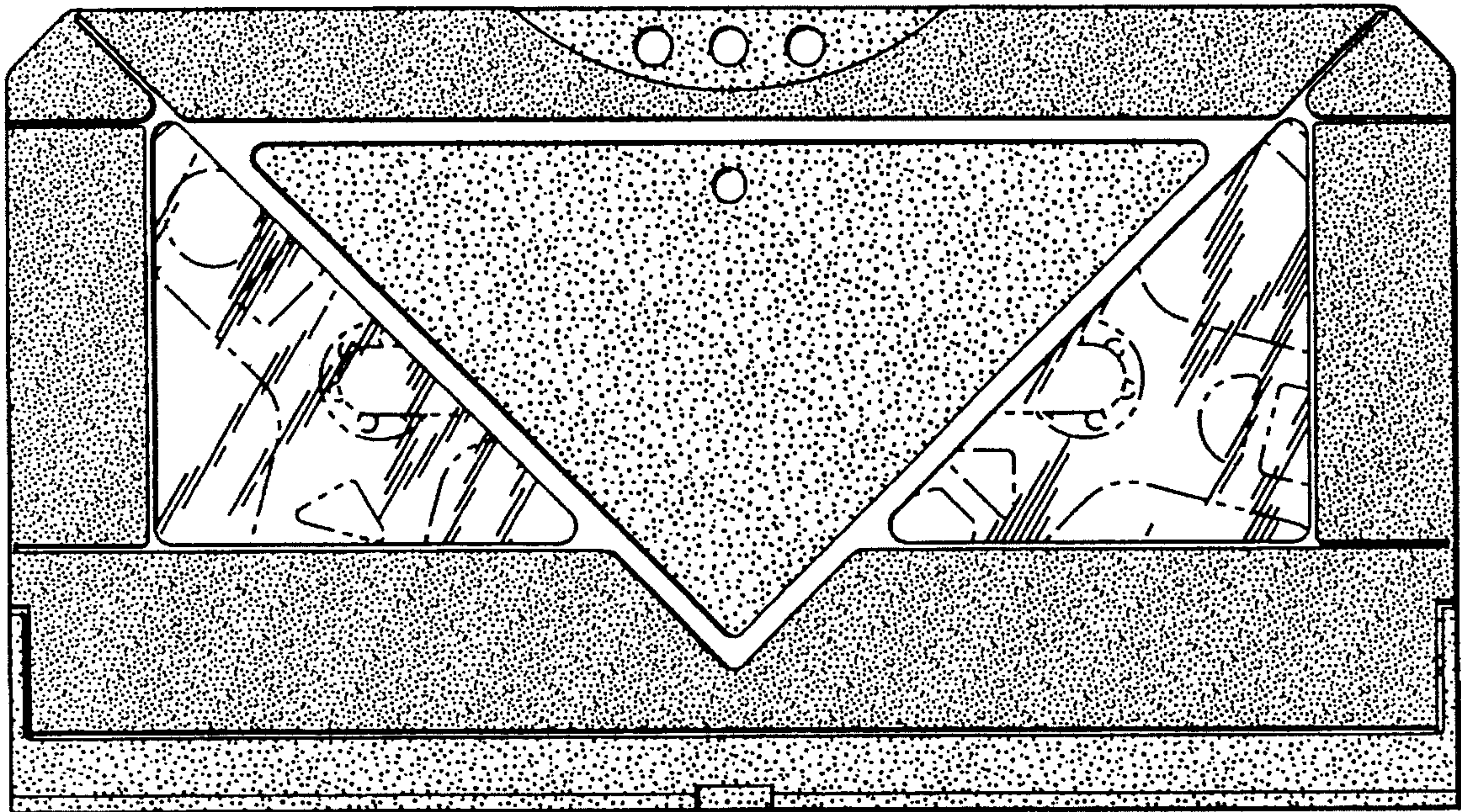


Fig. 4

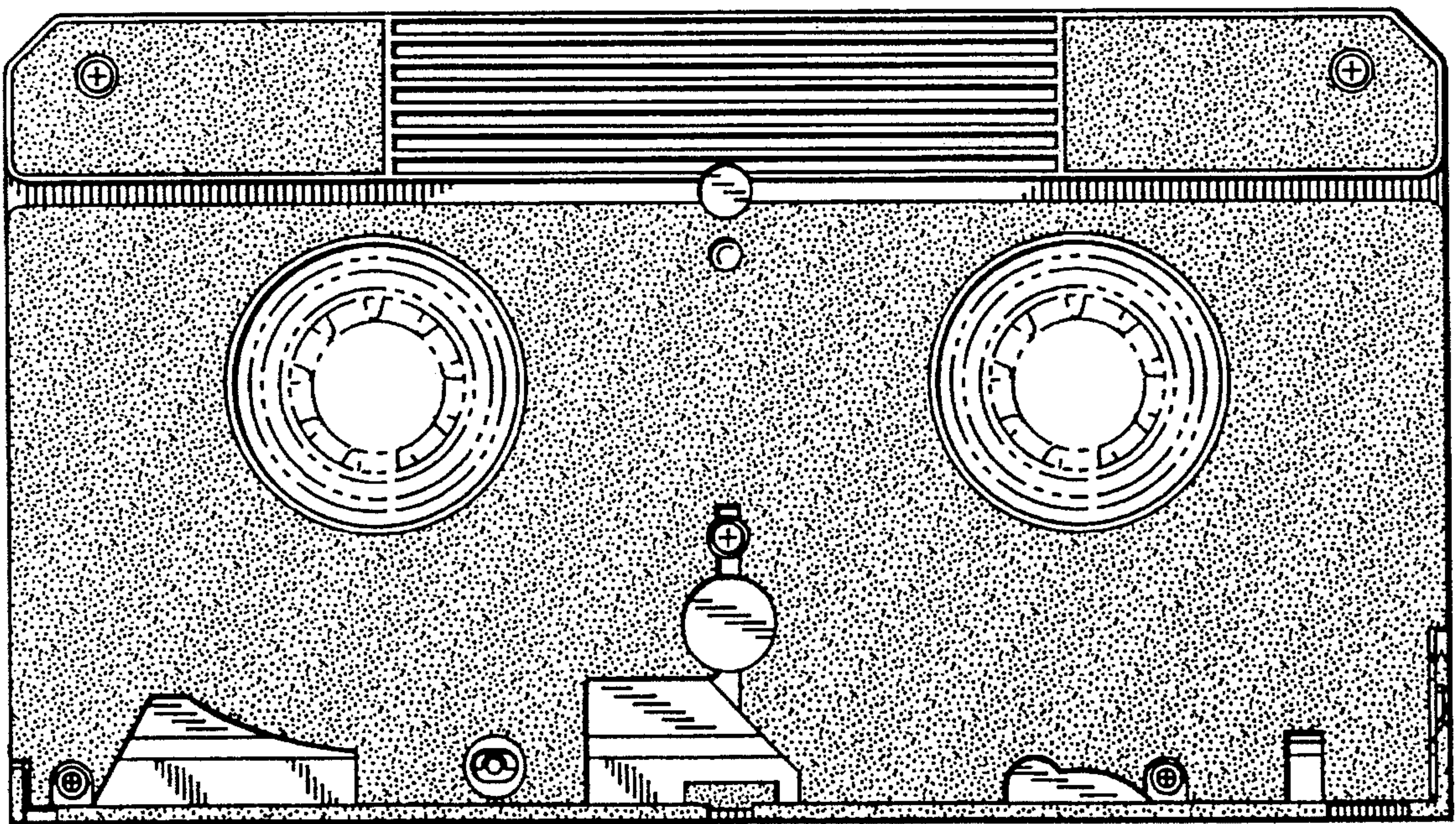


Fig. 5

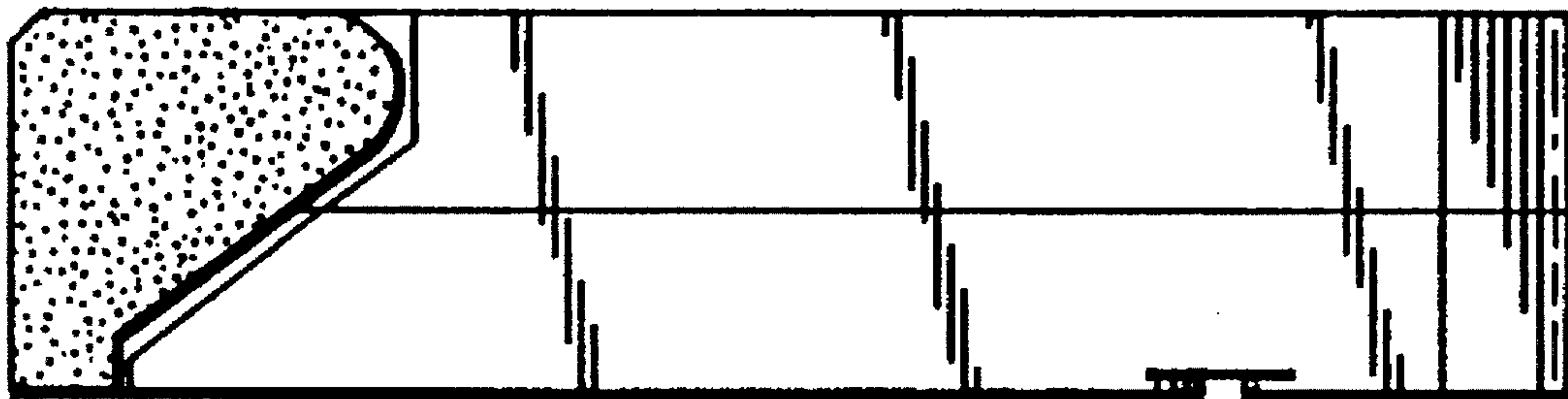


Fig. 6

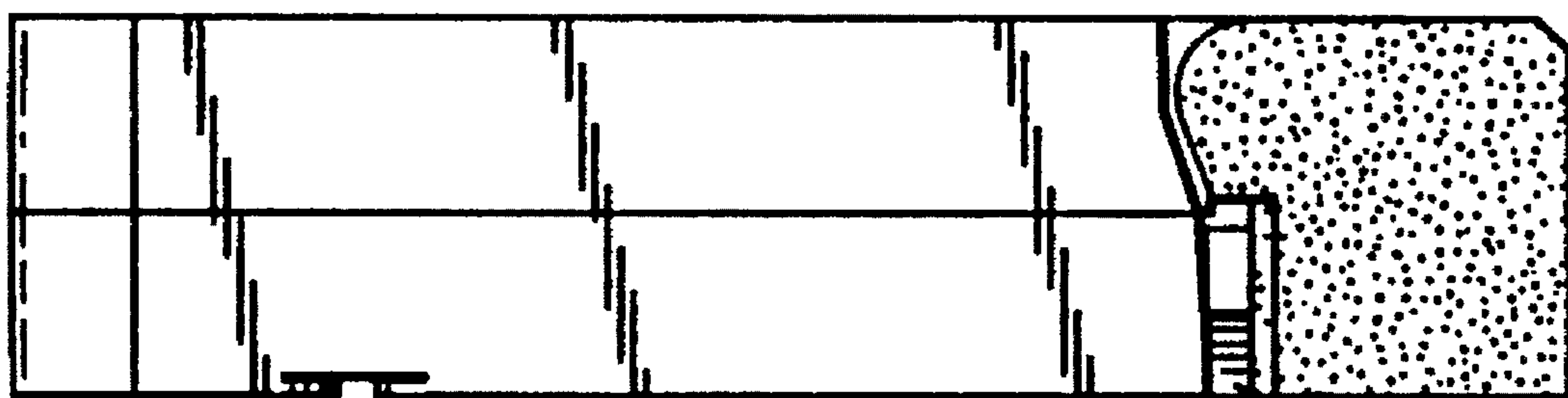


Fig. 7