



US00D364400S

**United States Patent** [19]  
**Chen**

[11] **Patent Number: Des. 364,400**

[45] **Date of Patent: \*\*Nov. 21, 1995**

[54] **KEYBOARD**

[75] Inventor: **Wen-Cheng Chen**, Taipei, Taiwan

[73] Assignee: **Focus Electronic Co., Ltd.**, Taipei, Taiwan

[\*\*] Term: **14 Years**

[21] Appl. No.: **28,615**

[22] Filed: **Oct. 3, 1994**

[52] U.S. Cl. .... **D14/115**

[58] **Field of Search** ..... D14/100, 101, D14/106, 115; D18/1, 7, 11, 12; 235/145 A, 145 R; 200/5 A, 5 R, 6 A, 6 R; 345/168, 167, 160, 161; 341/22, 23; 364/708.1; 400/472, 479, 484-486, 488, 489, 682

[56] **References Cited**

**U.S. PATENT DOCUMENTS**

D. 357,476 4/1995 Paull et al. .... D14/115

*Primary Examiner*—Freda Nunn

*Attorney, Agent, or Firm*—Morton J. Rosenberg; David I. Klein

[57] **CLAIM**

The ornamental design for keyboard, as shown and described.

**DESCRIPTION**

FIG. 1 is a perspective view of a keyboard;

FIG. 2 is a front view thereof;

FIG. 3 is a rear view thereof;

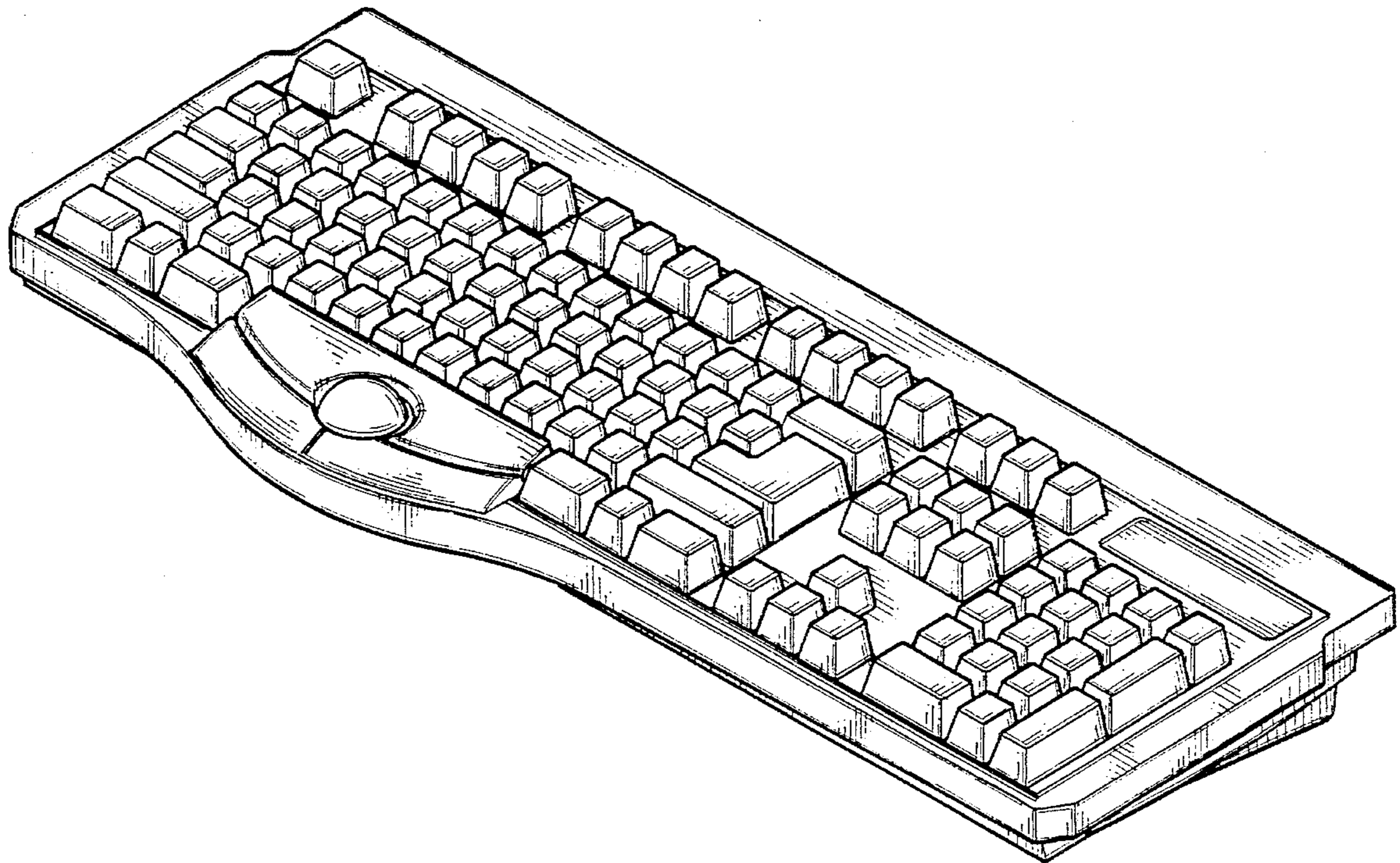
FIG. 4 is a left side view thereof;

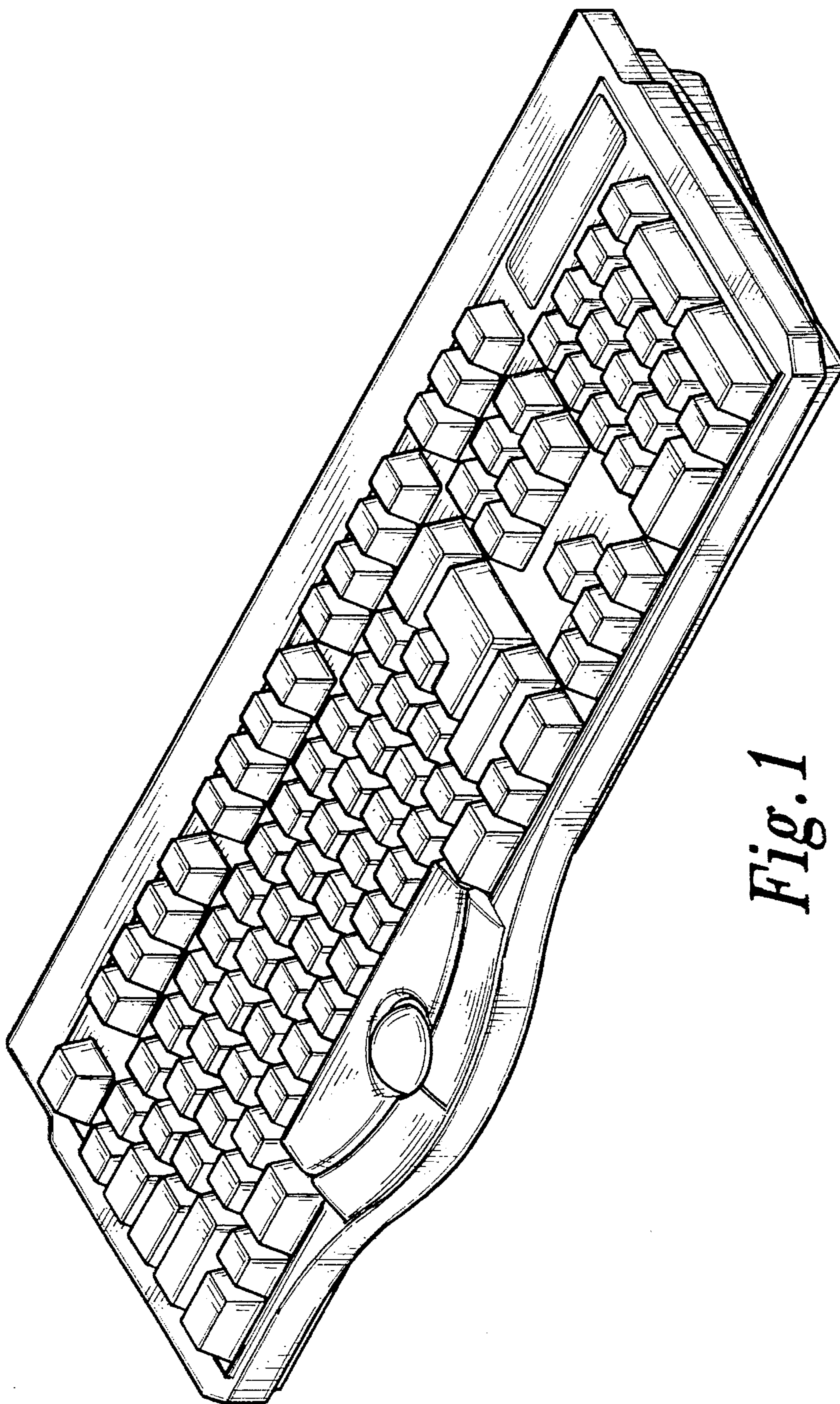
FIG. 5 is a right side view thereof;

FIG. 6 is a top view thereof; and,

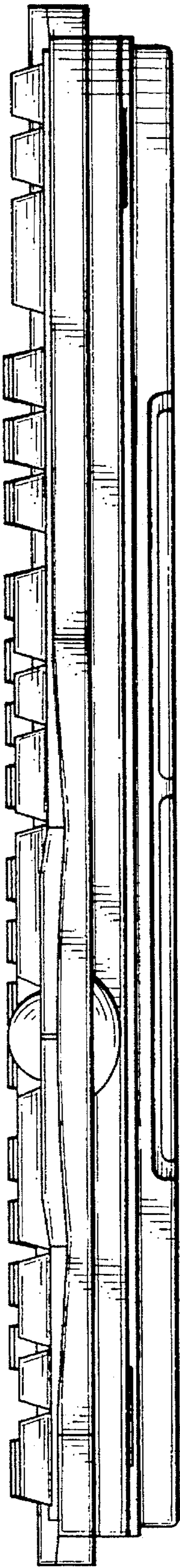
FIG. 7 is a bottom view thereof.

**1 Claim, 4 Drawing Sheets**

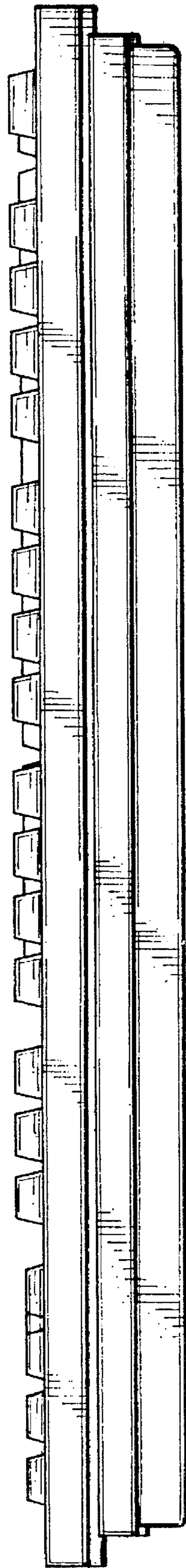




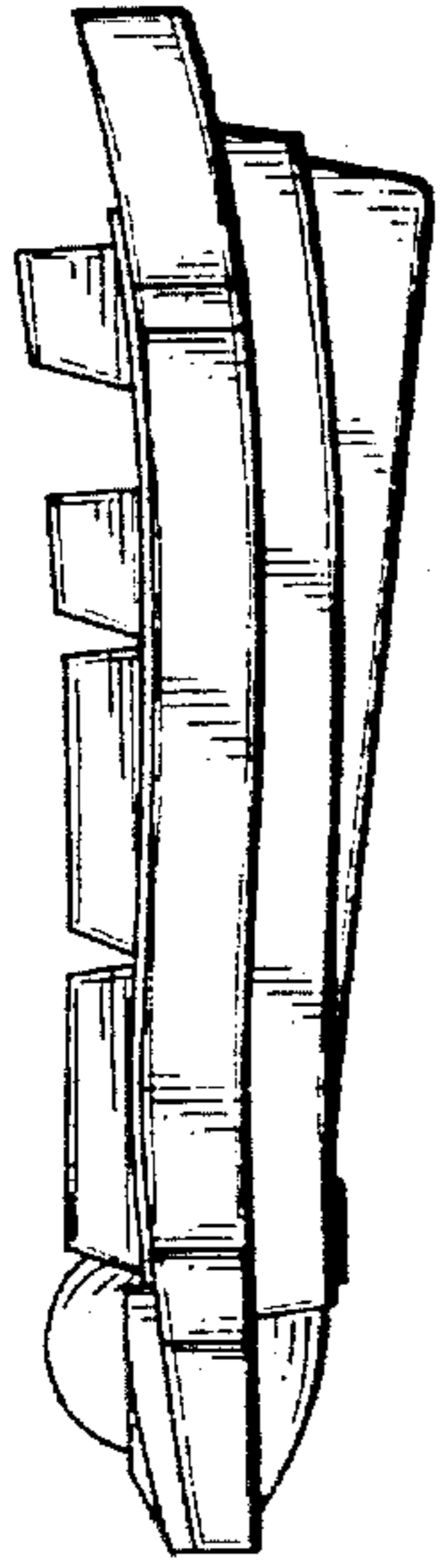
*Fig. 1*



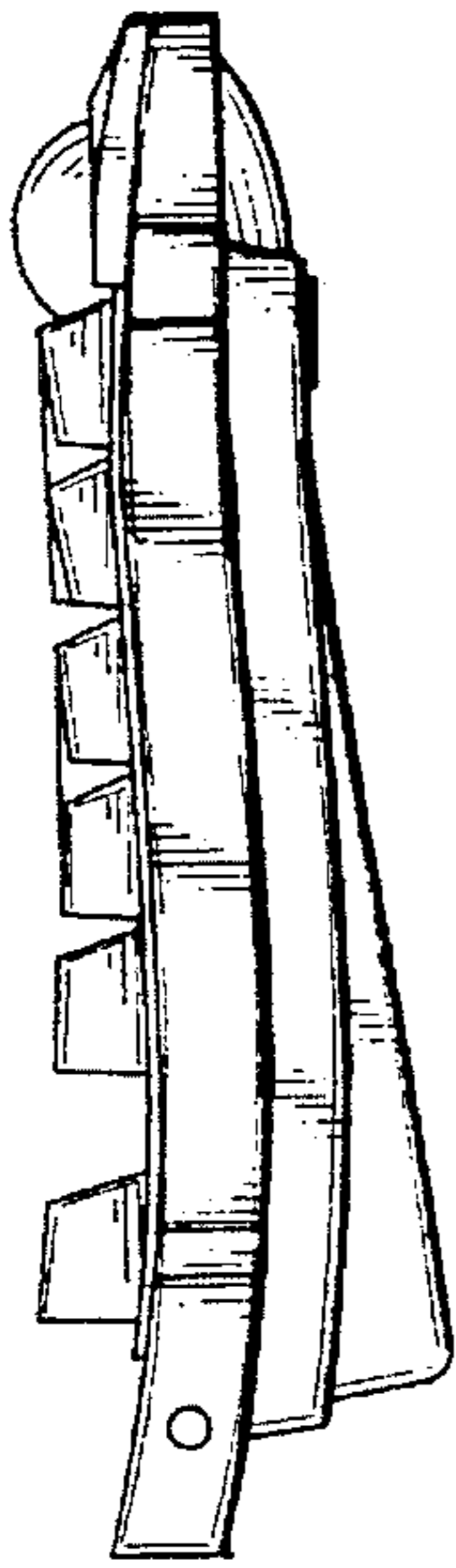
*Fig. 2*



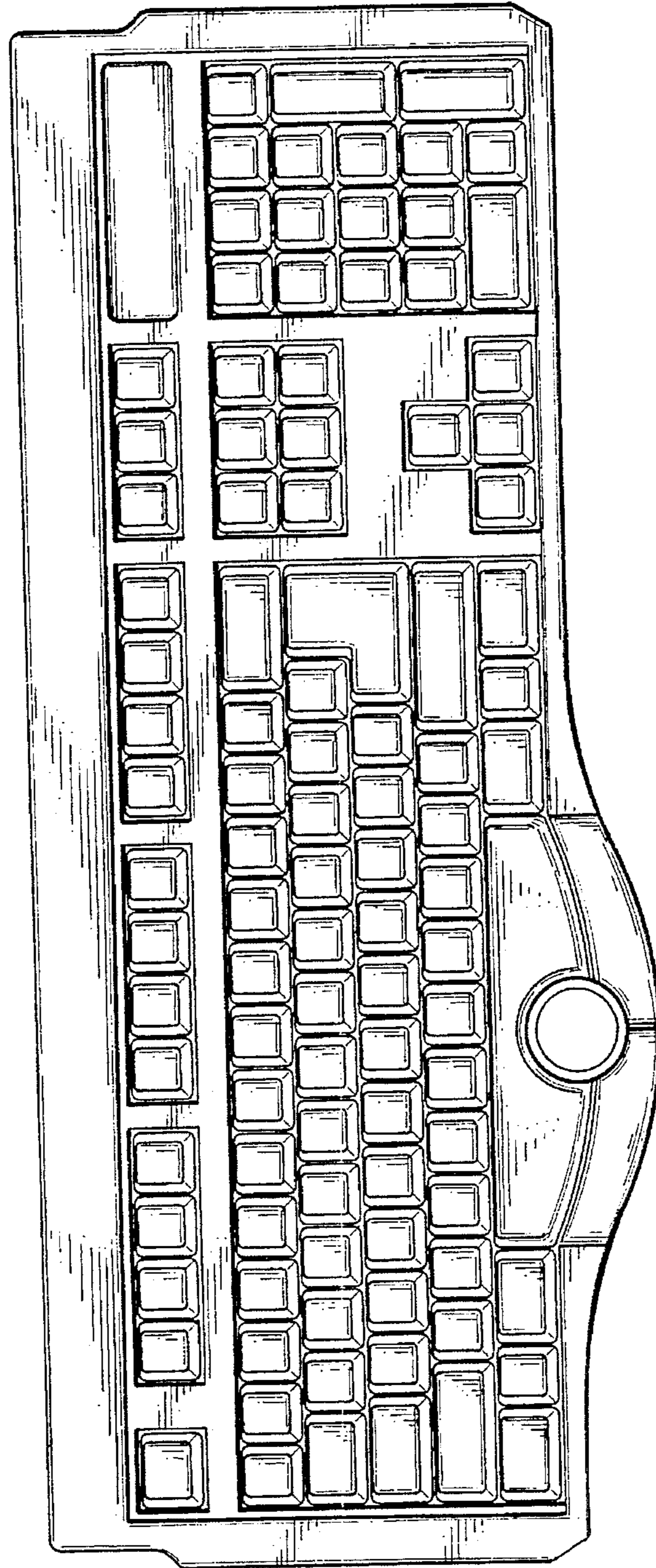
*Fig. 3*



*Fig. 5*



*Fig. 4*



*Fig. 6*

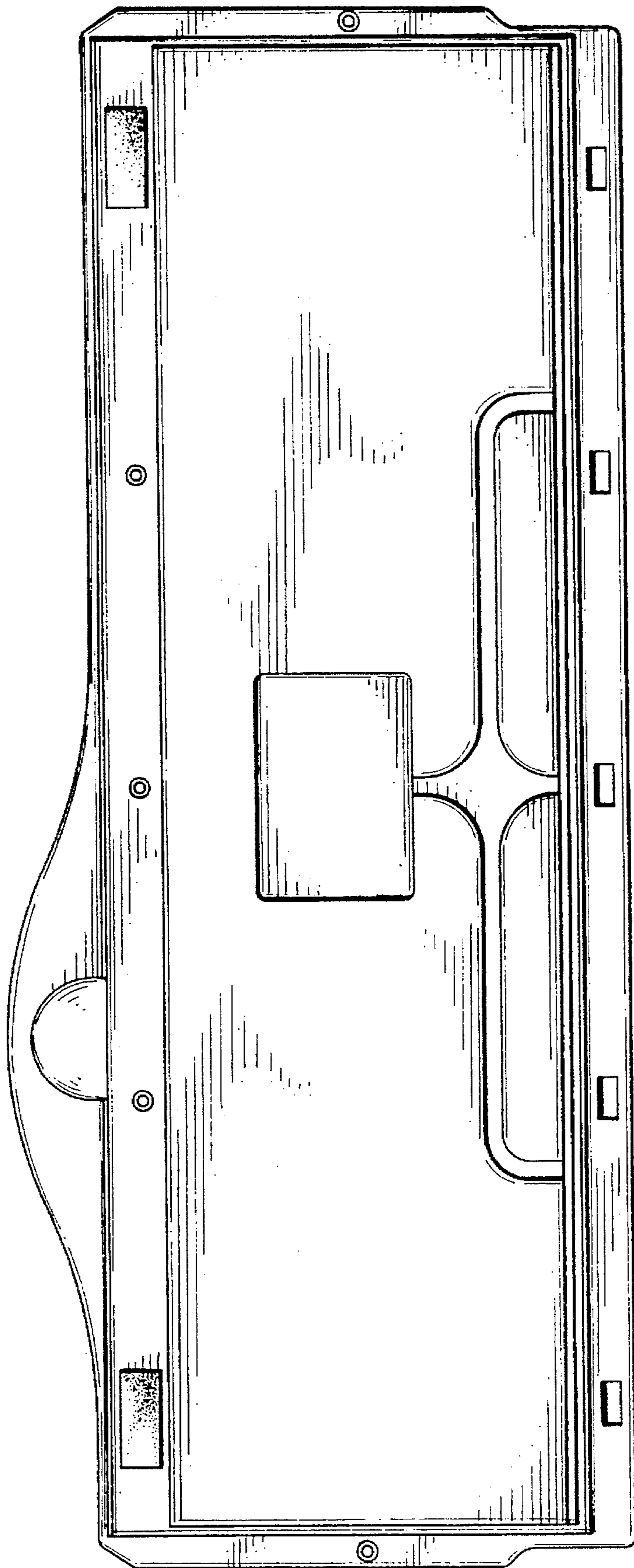


Fig. 7