



US00D364399S

United States Patent [19]
Long

[11] **Patent Number: Des. 364,399**

[45] **Date of Patent: **Nov. 21, 1995**

[54] **MODEM CONNECTOR**

5,375,037 12/1994 Le Roux 361/684
5,402,095 3/1995 Janniere 361/737 X

[75] Inventor: **Jacky Long**, Taipei, Taiwan

[73] Assignee: **Quanta Computer Inc.**, Taipei, Taiwan

[**] Term: **14 Years**

Primary Examiner—Melanie H. Tung
Attorney, Agent, or Firm—William Brinks Hofer Gilson & Lione

[21] Appl. No.: **28,096**

[22] Filed: **Sep. 7, 1994**

[52] U.S. Cl. **D14/114**

[58] Field of Search D14/100, 114,
D14/117; 174/52.1; 361/684, 686-689,
737, 753, 75; 40/124.1; D19/9/10; 235/487,
494

[57] **CLAIM**

The ornamental design for modem connector, as shown and described.

DESCRIPTION

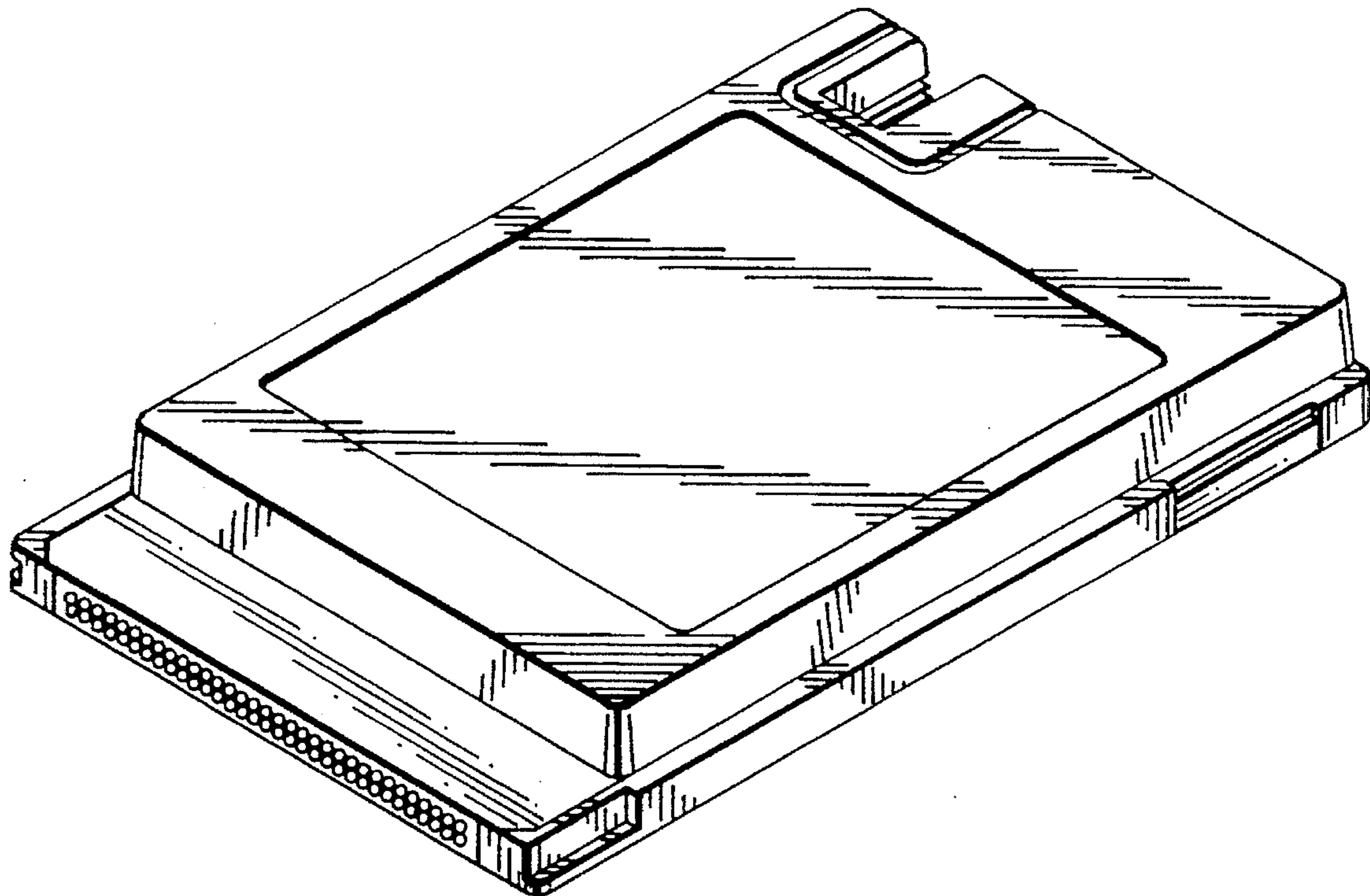
FIG. 1 is a perspective view of modem connector showing my new design;
FIG. 2 is a front elevational view thereof;
FIG. 3 is a rear elevational view thereof;
FIG. 4 is a left side elevational view thereof;
FIG. 5 is a right side elevational view thereof;
FIG. 6 is a top plan view thereof; and,
FIG. 7 is a bottom plan view thereof.

[56] **References Cited**

U.S. PATENT DOCUMENTS

D. 305,886 2/1990 Banyo et al. D14/117
D. 358,395 5/1995 Meidorn et al. D14/114 X
5,242,310 9/1993 Leung 361/737 X
5,333,100 7/1994 Anhat et al. 361/737 X

1 Claim, 3 Drawing Sheets



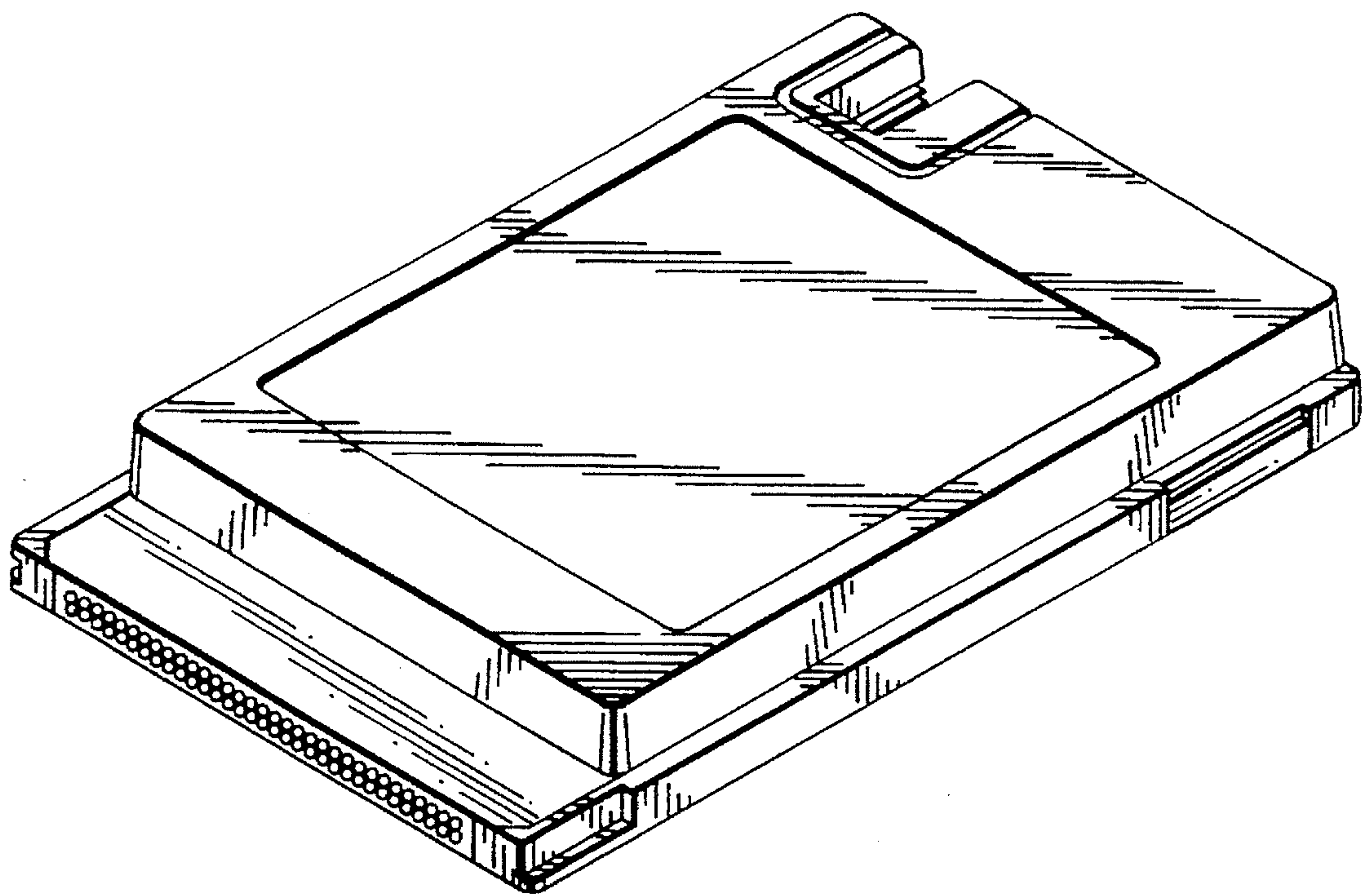


FIG. 1

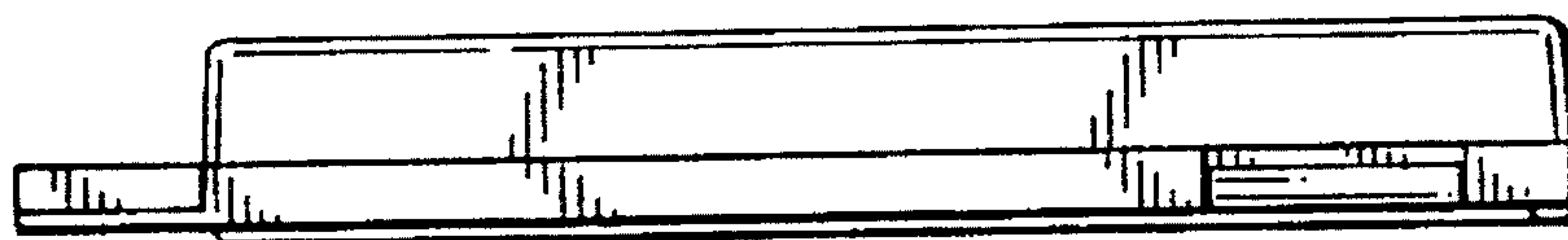


FIG. 2

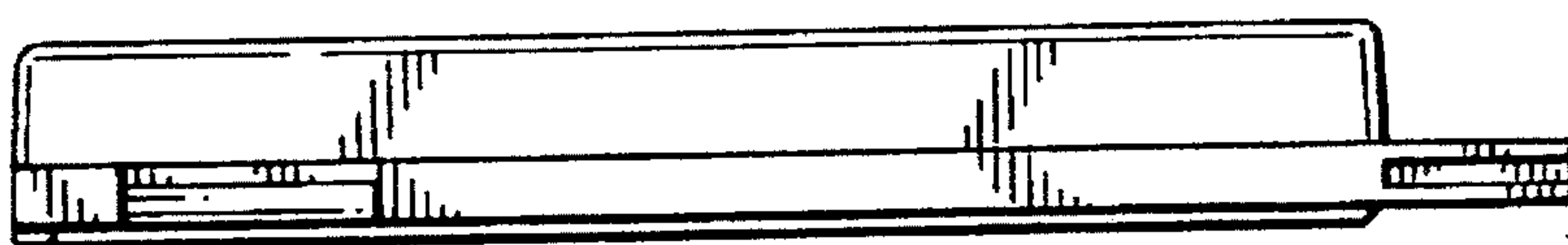


FIG. 3

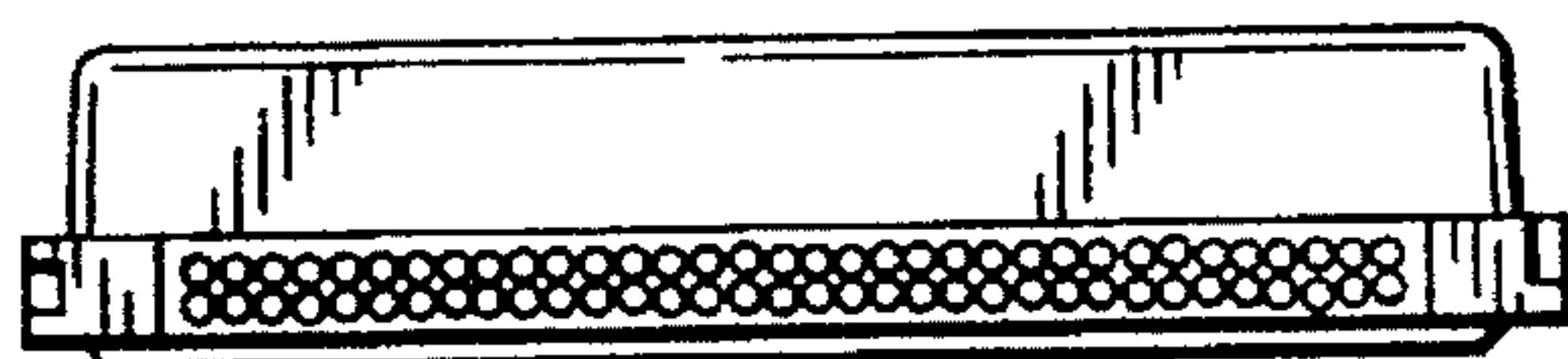


FIG. 4

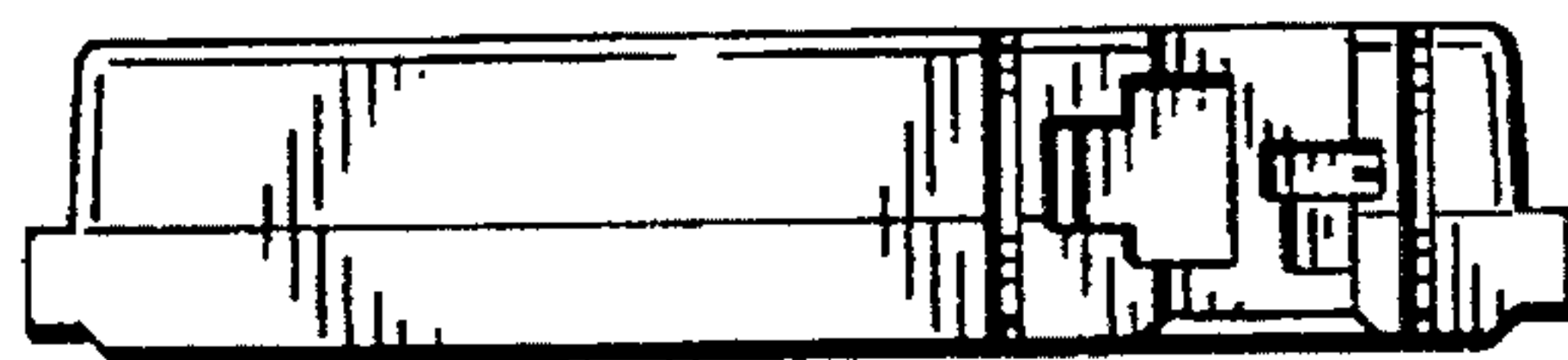


FIG. 5

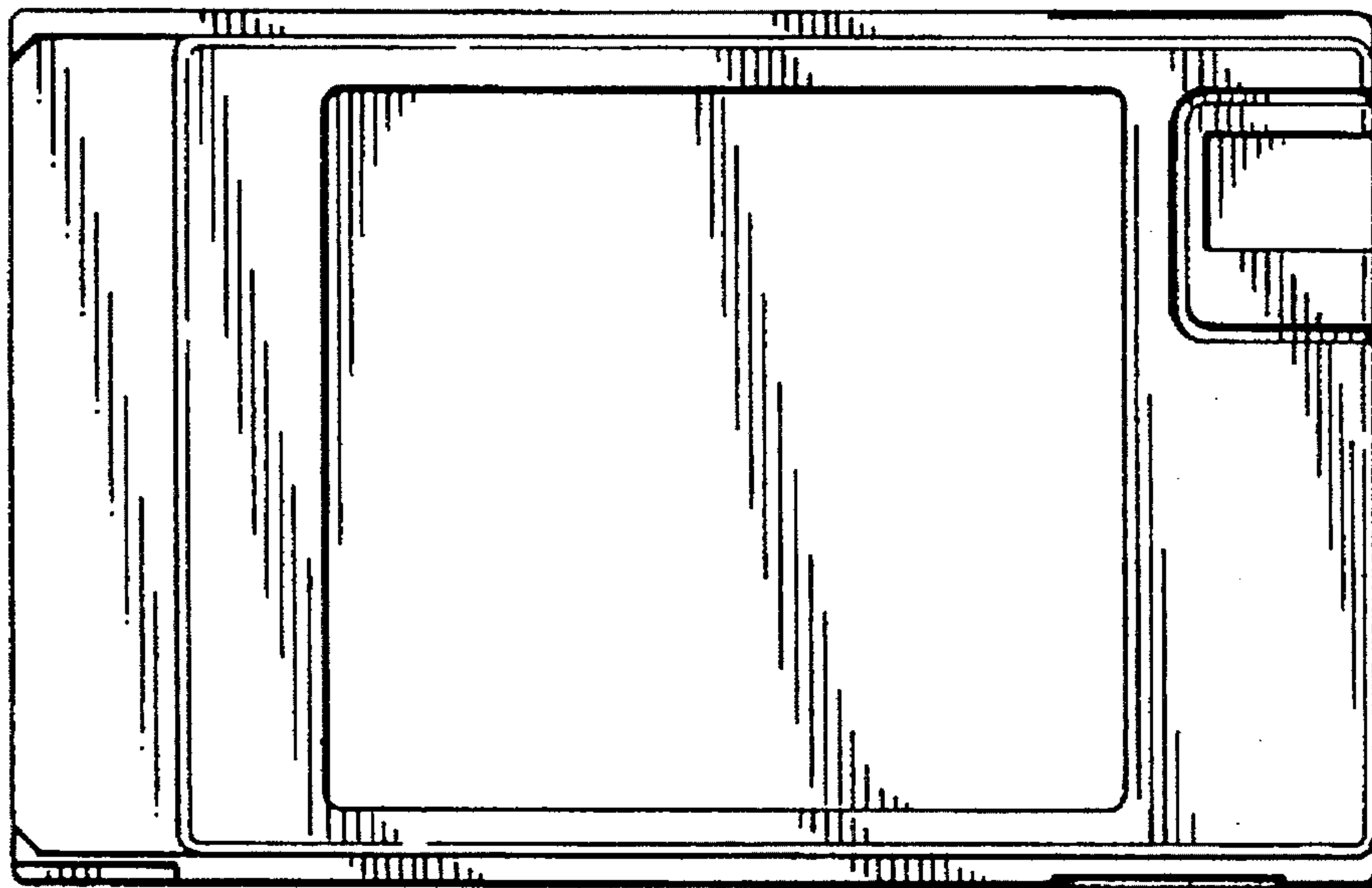


FIG. 6

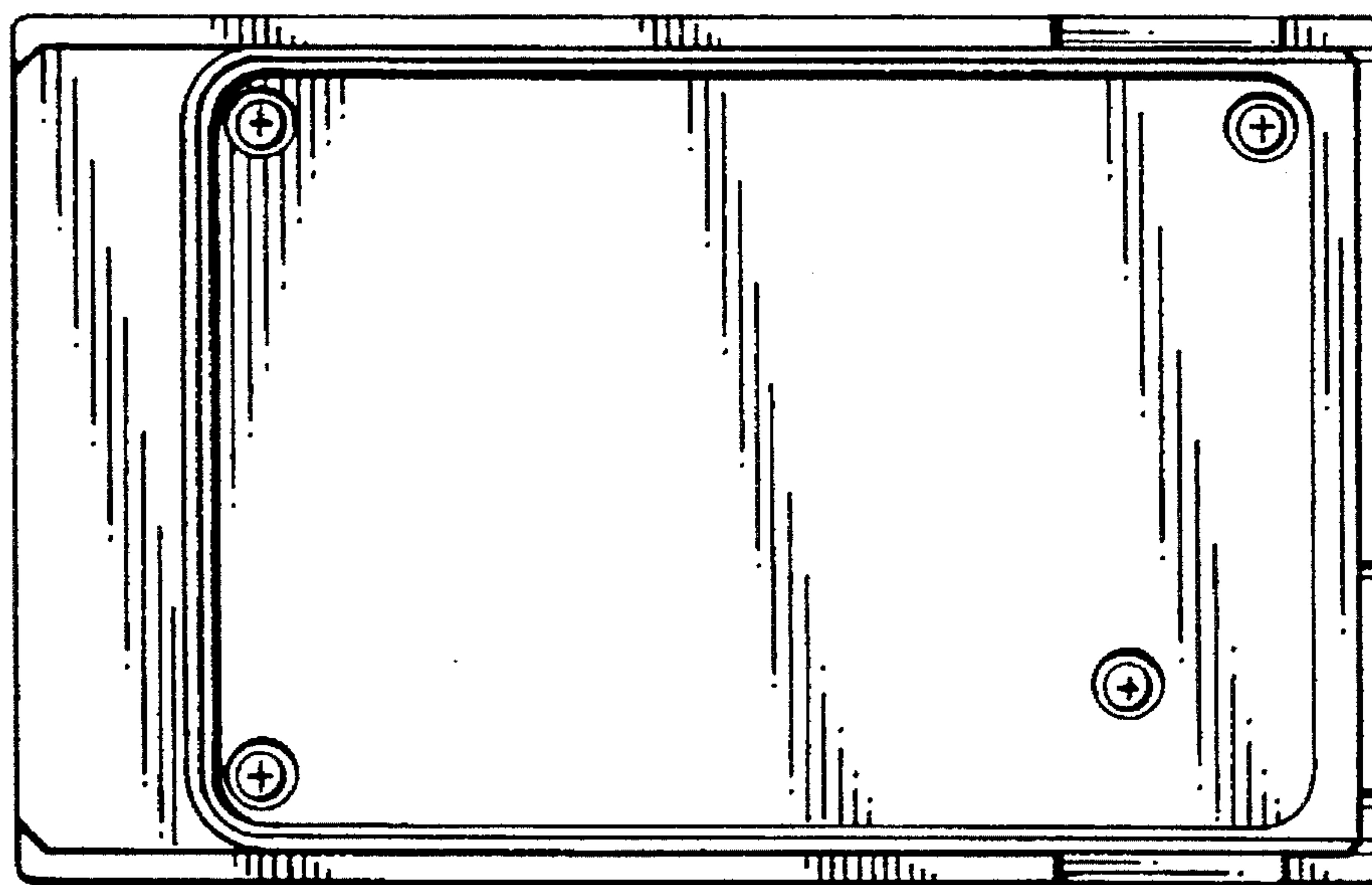


FIG. 7