



US00D364398S

# United States Patent [19] Lam

[11] Patent Number: **Des. 364,398**

[45] Date of Patent: **\*\*Nov. 21, 1995**

[54] **ADAPTER SLEEVE FOR A PCMCIA DEVICE**

4,780,793 10/1988 Ohtsuki ..... 439/136 X  
5,036,429 7/1991 Kaneda et al. .... 361/686

[75] Inventor: **Lawrence Lam**, San Jose, Calif.

*Primary Examiner*—Melanie H. Tung  
*Attorney, Agent, or Firm*—Apple Computer, Inc.

[73] Assignee: **Apple Computer, Inc.**, Cupertino, Calif.

[57] **CLAIM**

[\*\*] Term: **14 Years**

The ornamental design for an adapter sleeve for a PCMCIA device, as shown and described.

[21] Appl. No.: **27,337**

**DESCRIPTION**

[22] Filed: **Aug. 19, 1994**

[52] U.S. Cl. .... **D14/114**

[58] **Field of Search** ..... D14/107, 114;  
D13/147, 164; 361/679-686; 439/131, 133,  
299-330, 136, 344; 360/106, 112, 126;  
385/134

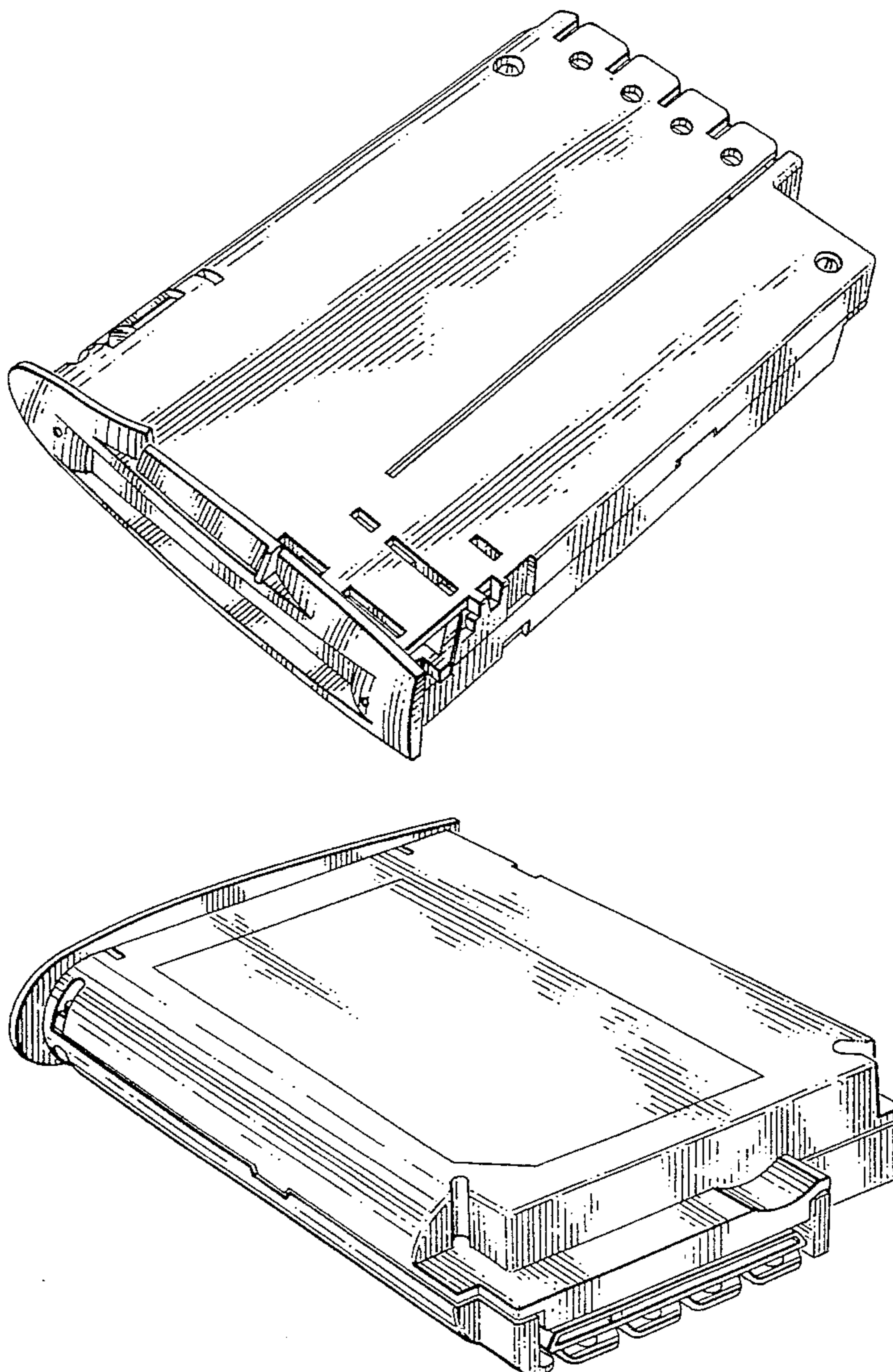
FIG. 1 is a front, bottom, left side perspective view of an adapter sleeve for a pcmcia device;  
FIG. 2 is a top, rear, right side perspective view thereof;  
FIG. 3 is a front elevational view thereof;  
FIG. 4 is a bottom plan view thereof;  
FIG. 5 is a rear elevational view thereof;  
FIG. 6 is a left side elevational view thereof;  
FIG. 7 is a right side elevational view thereof; and,  
FIG. 8 is a top plan view thereof.

[56] **References Cited**

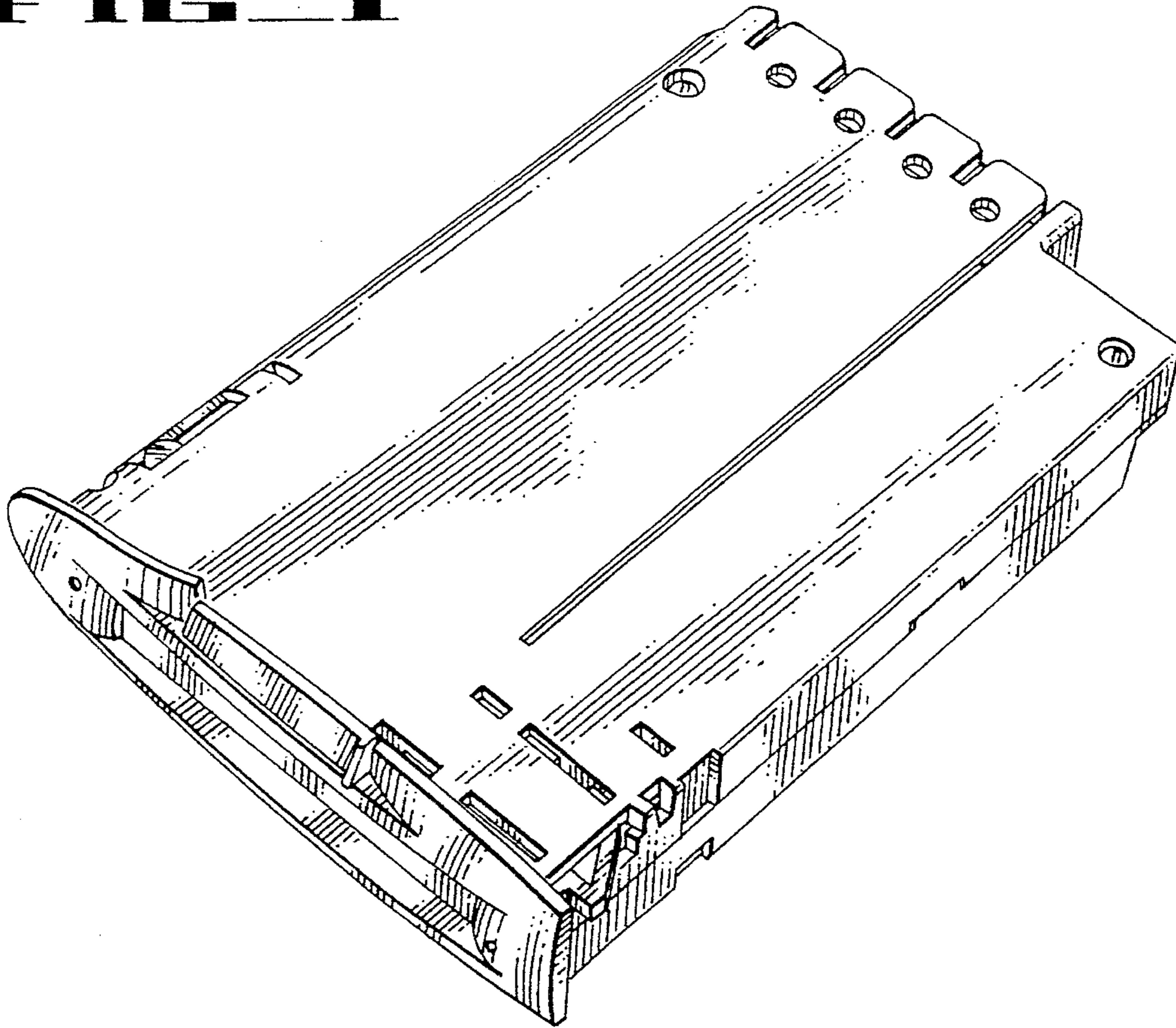
**U.S. PATENT DOCUMENTS**

D. 327,879 7/1992 Lou ..... D13/147  
D. 327,880 7/1992 Lou ..... D14/107

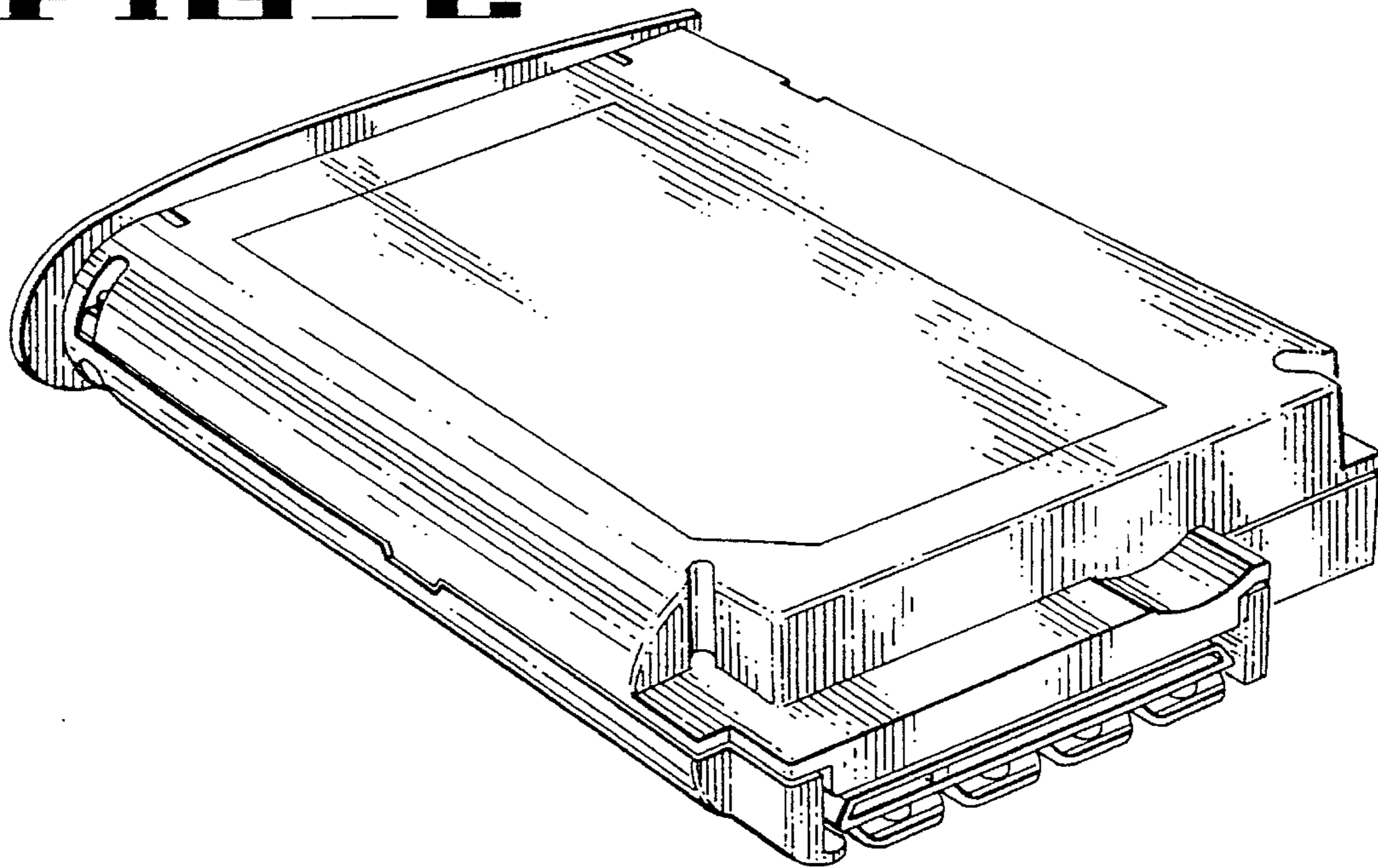
**1 Claim, 3 Drawing Sheets**

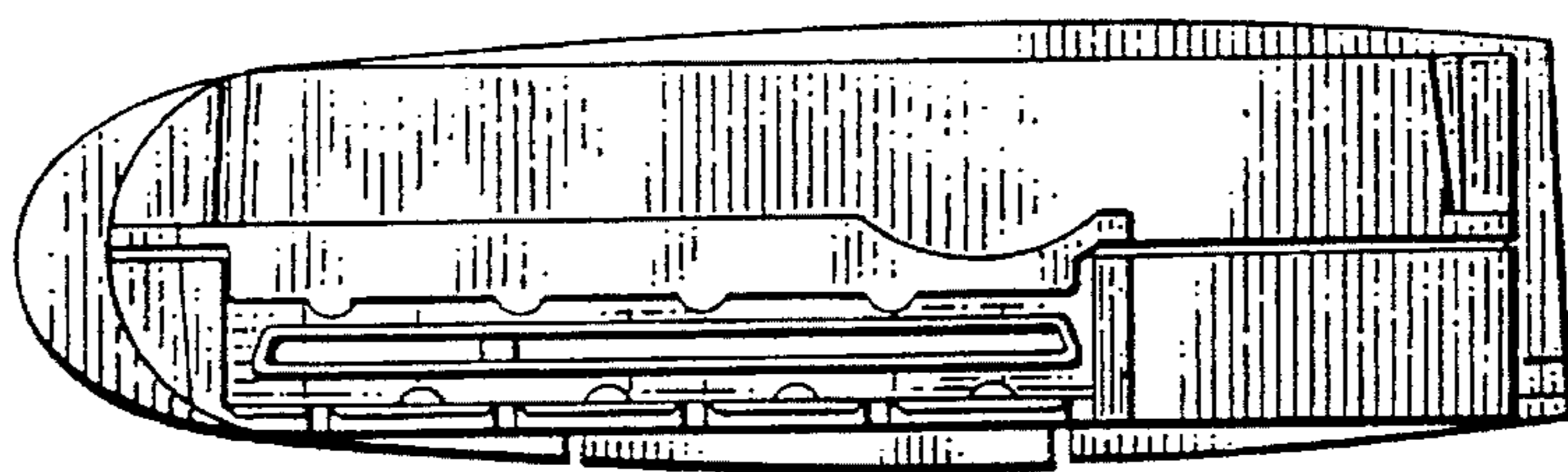


**FIG 1**

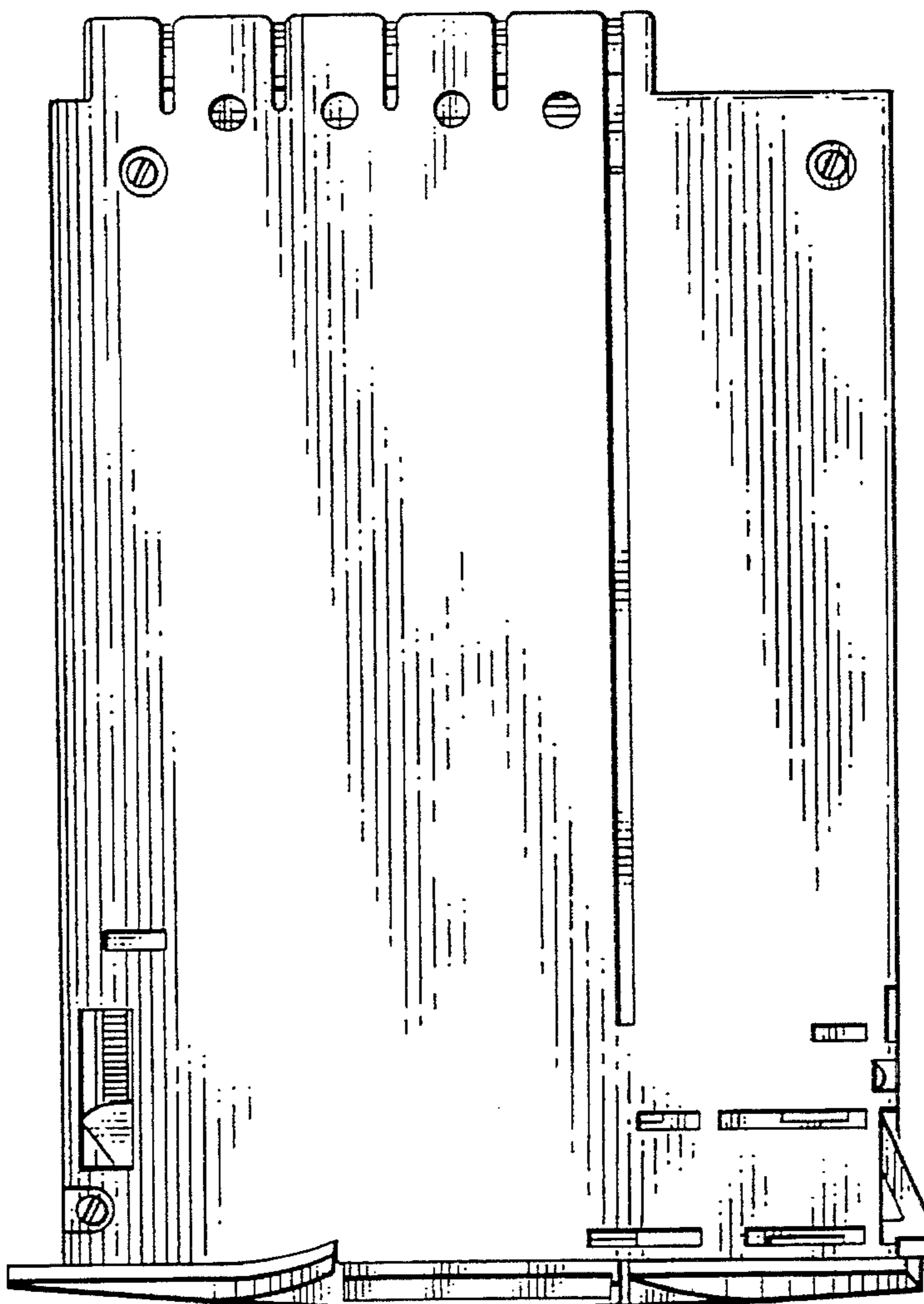


**FIG 2**



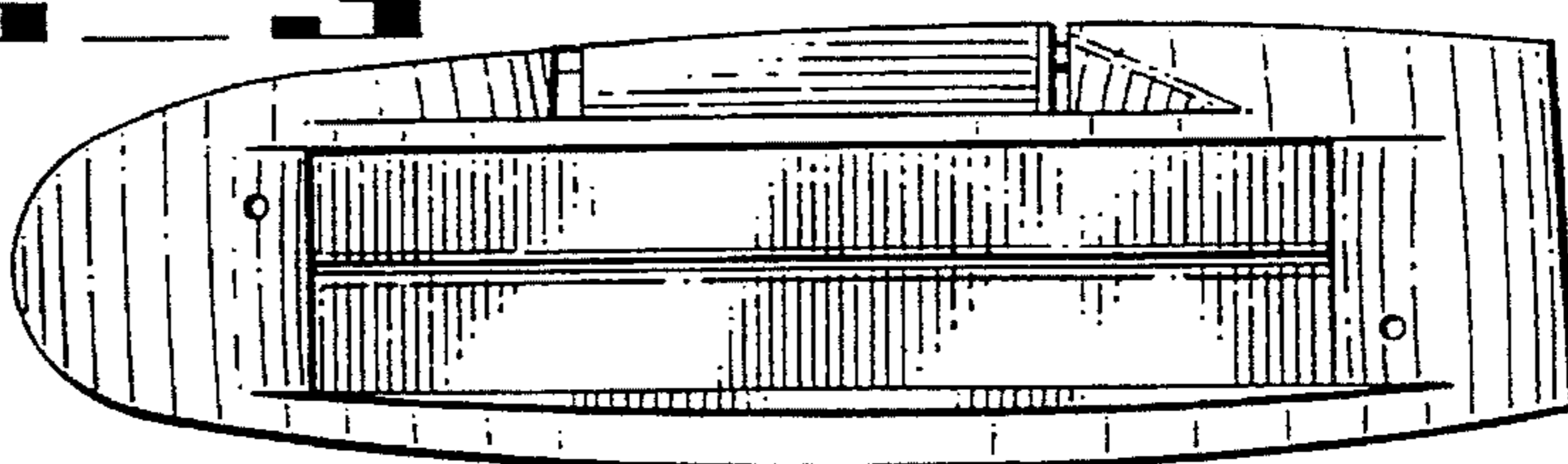


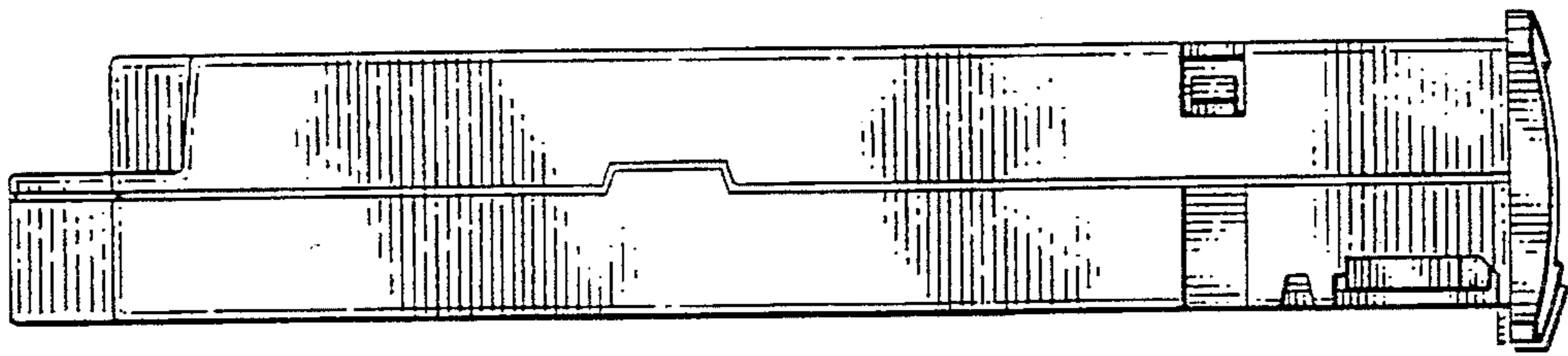
**FIG 5**



**FIG 4**

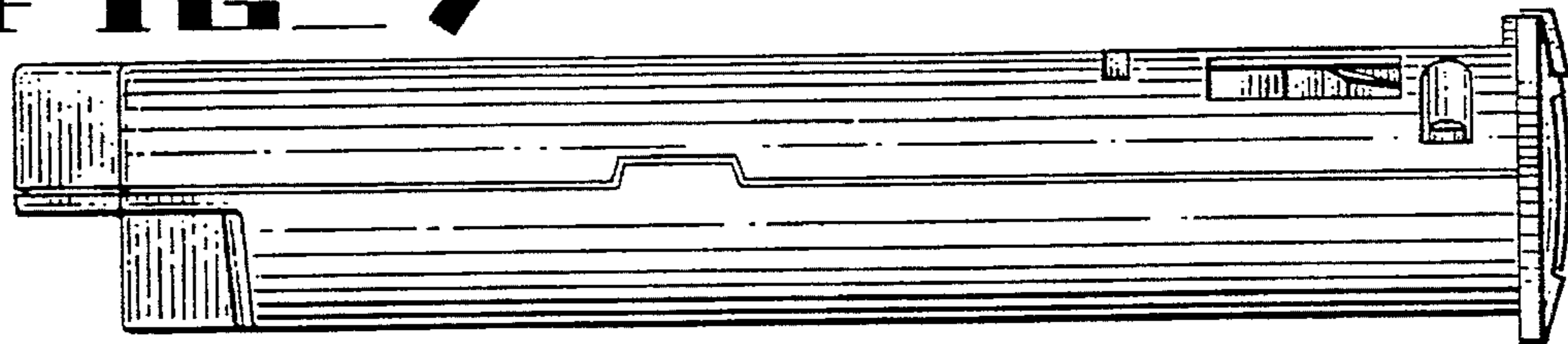
**FIG 3**





**FIG 6**

**FIG 7**



**FIG 8**

