



US00D364396S

# United States Patent [19]

Starec et al.

[11] Patent Number: **Des. 364,396**

[45] Date of Patent: **\*\*Nov. 21, 1995**

[54] **DATA MODULE FOR MODULAR WIRING SYSTEM**

[75] Inventors: **Rado Starec**, Tullamarine; **Antonino Schiavello**, Templestowe; **James G. Cowhey**, Bulleen, all of Australia

[73] Assignee: **Light On Pty Ltd**, Tullamarine, Australia

[\*\*] Term: **14 Years**

[21] Appl. No.: **18,958**

[22] Filed: **Feb. 18, 1994**

[30] **Foreign Application Priority Data**

Aug. 19, 1993 [AU] Australia ..... 2555/93

[52] U.S. Cl. .... **D14/114**

[58] Field of Search ..... D14/100, 114; D13/164, 174; 439/131, 344, 299-300, 133, 136; 361/686, 730, 736, 746, 752, 679, 728; 200/5 R, 5 A, 6 R, 6 A

[56] **References Cited**

**U.S. PATENT DOCUMENTS**

D. 261,644 11/1981 McKinsey et al. .... D14/114

D. 285,569 9/1986 Reitz et al. .... D14/114

D. 285,926 9/1986 Kier et al. .... D14/114

D. 286,053 10/1986 McDaniel et al. .... D14/114

D. 303,524 9/1989 Siegner et al. .... D14/114

4,507,708 3/1985 Lindberg ..... 361/746

*Primary Examiner*—A. Hugo Word  
*Assistant Examiner*—M. H. Tung  
*Attorney, Agent, or Firm*—Chilton, Alix & Van Kirk

[57] **CLAIM**

The ornamental design for a data module for modular wiring system, as shown and described.

**DESCRIPTION**

FIG. 1 is a perspective view of a data module for a modular wiring system showing our new design;

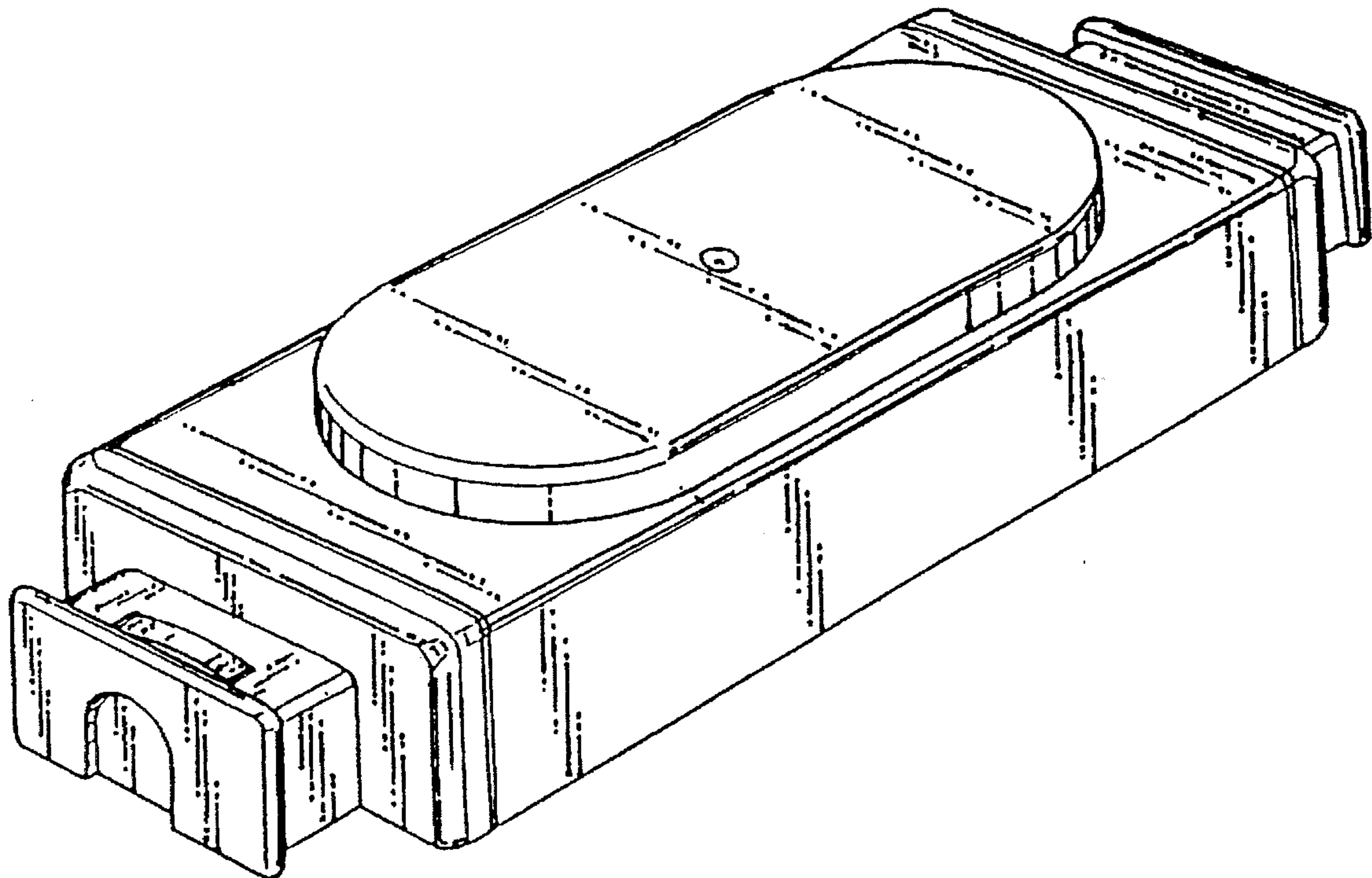
FIG. 2 is a side elevational view thereof, the opposite side is identical;

FIG. 3 is an end elevational view thereof, the opposite end is identical;

FIG. 4 is a top plan view thereof; and,

FIG. 5 is a bottom plan view thereof.

**1 Claim, 2 Drawing Sheets**



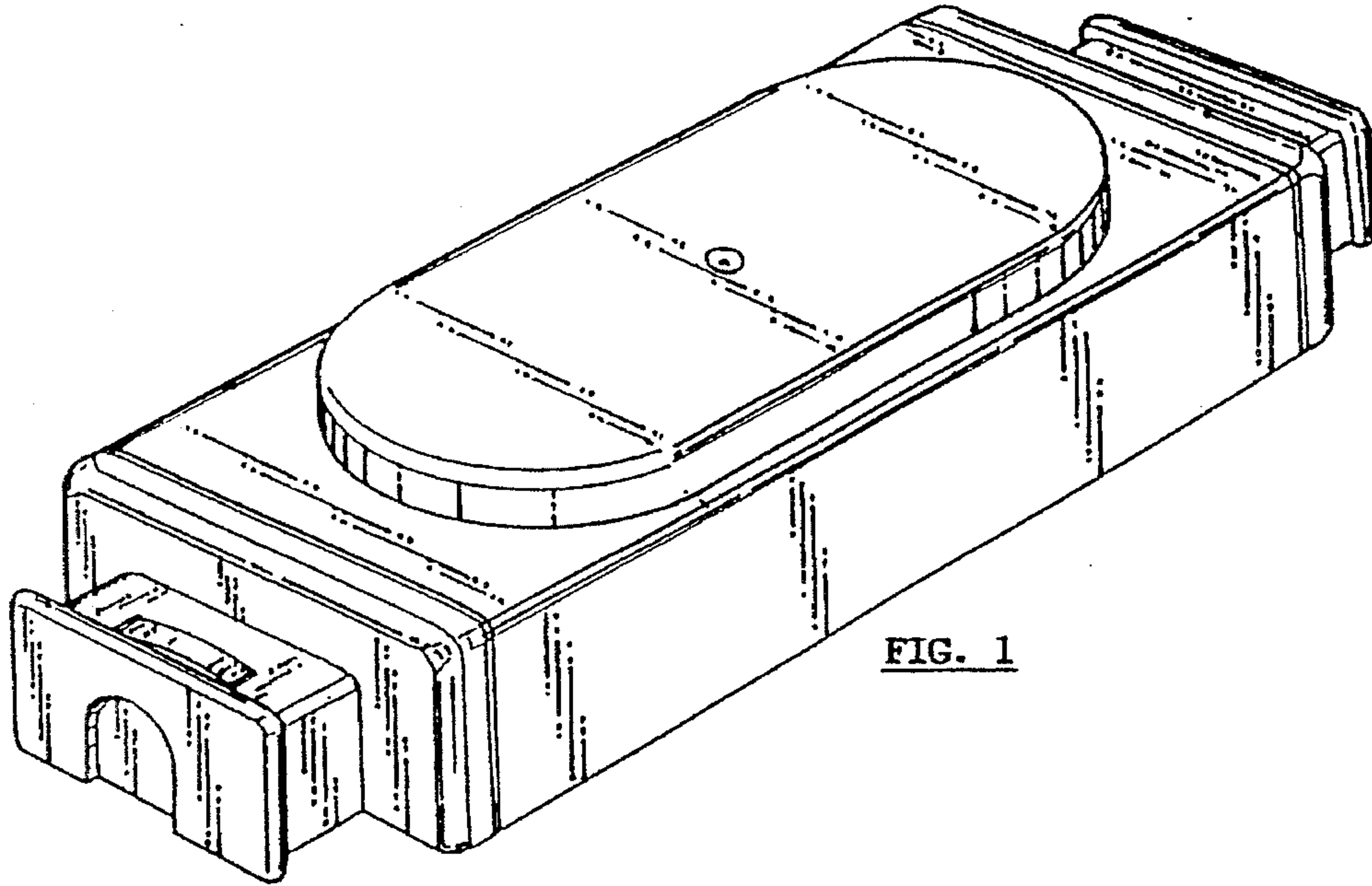


FIG. 1

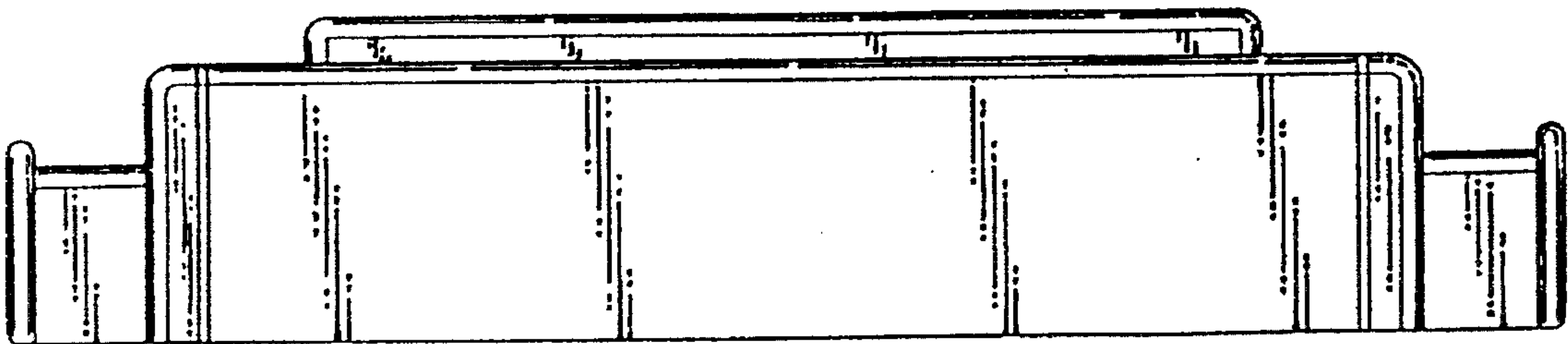


FIG. 2

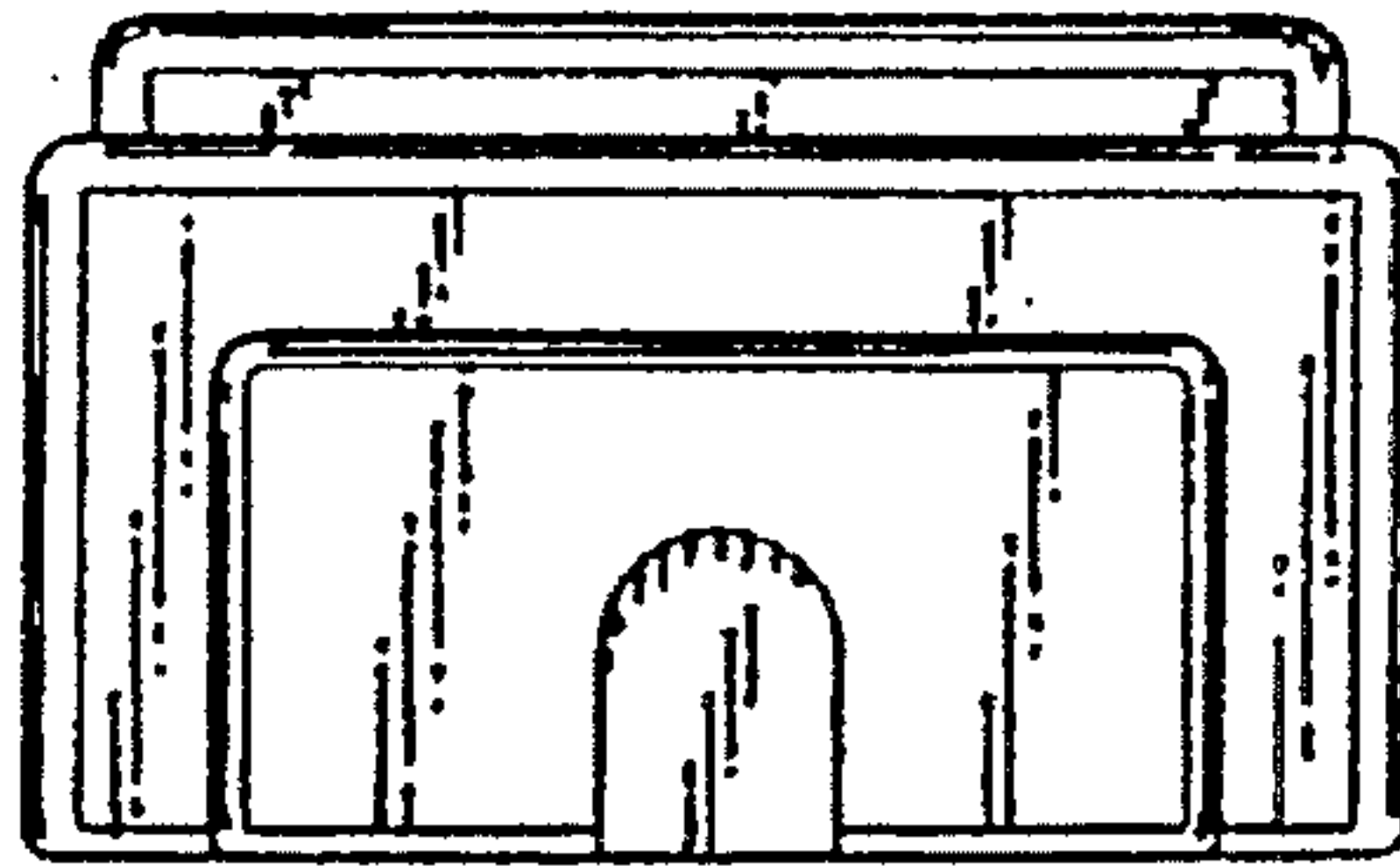


FIG. 3

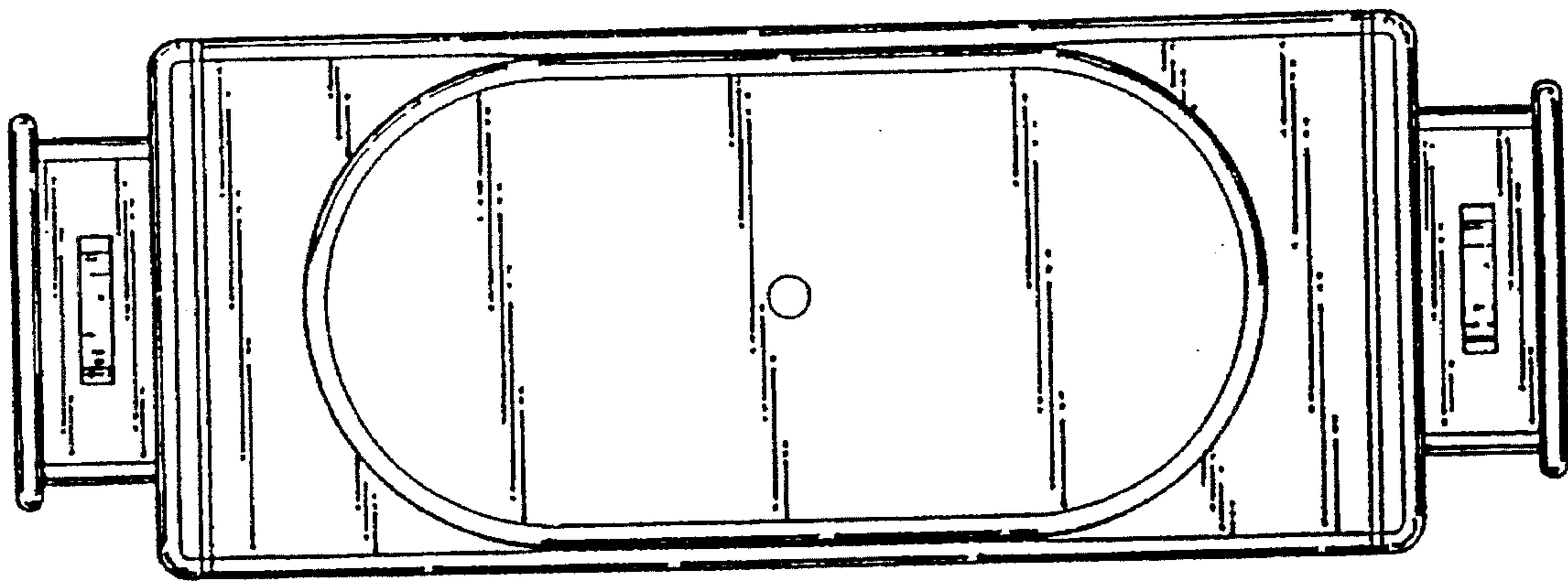


FIG. 4

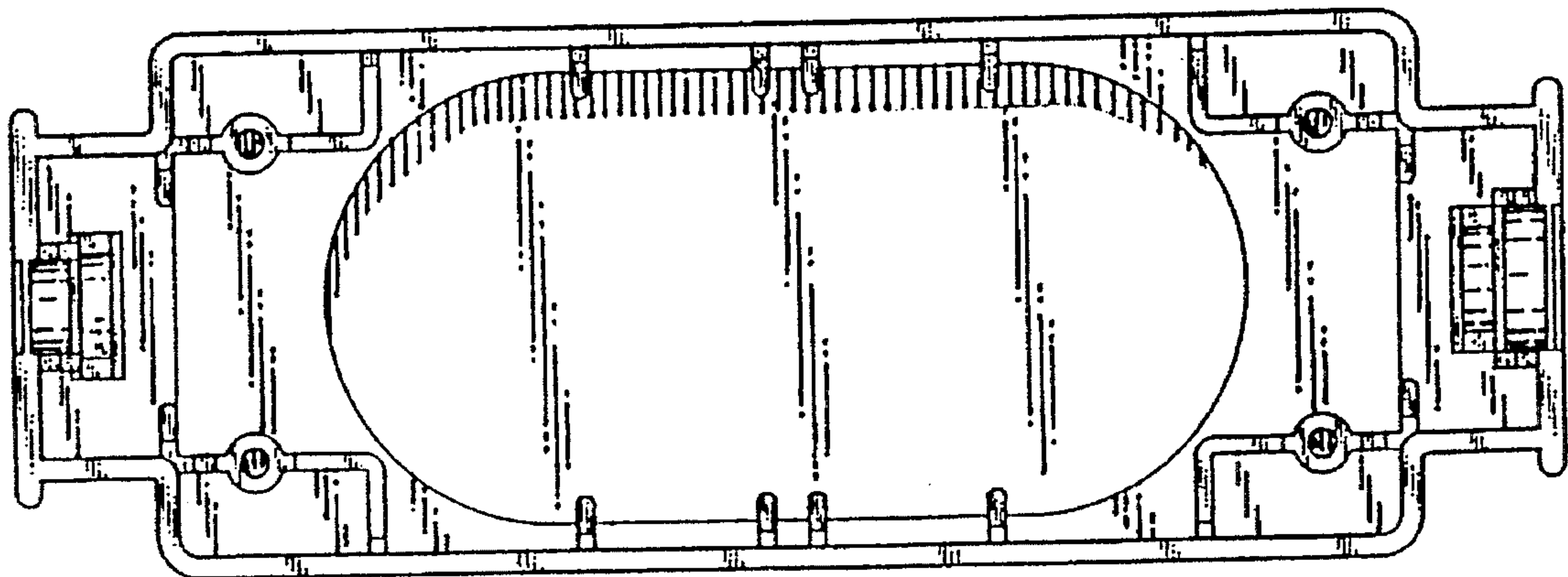


FIG. 5