



US00D364395S

United States Patent [19]

[11] Patent Number: **Des. 364,395**

Uratani et al.

[45] Date of Patent: ****Nov. 21, 1995**

[54] **DISPLAY FACE OF A LIQUID CRYSTAL DISPLAY MODULE**

D. 354,483	1/1995	Yamazaki	D14/100 X
3,537,792	11/1970	Furniss et al.	353/DIG. 5 X
3,709,590	1/1973	Bisberg	353/DIG. 5 X
4,632,529	12/1986	Levin	353/122

[75] Inventors: **Shinichi Uratani**, Osaka; **Junichi Sasaki**, Nara, both of Japan

Primary Examiner—Freda Nunn
Attorney, Agent, or Firm—Nixon & Vanderhye

[73] Assignee: **Sharp Kabushiki Kaisha**, Osaka, Japan

[**] Term: **14 Years**

[57] **CLAIM**

[21] Appl. No.: **32,118**

The ornamental design for a display face of a liquid crystal display module, as shown and described.

[22] Filed: **Dec. 2, 1994**

[30] **Foreign Application Priority Data**

DESCRIPTION

Jun. 30, 1994 [JP] Japan 6-19506

[52] **U.S. Cl.** **D14/113; D16/235**

FIG. 1 is a front elevational view of a display face of a liquid crystal display module according to our design; and,

[58] **Field of Search** D14/100, 101, D14/106, 113, 124-129; D16/235; 178/18, 19; 345/104, 133, 156, 168, 173, 87, 901-905; 353/31, 122, DIG. 3, DIG. 5

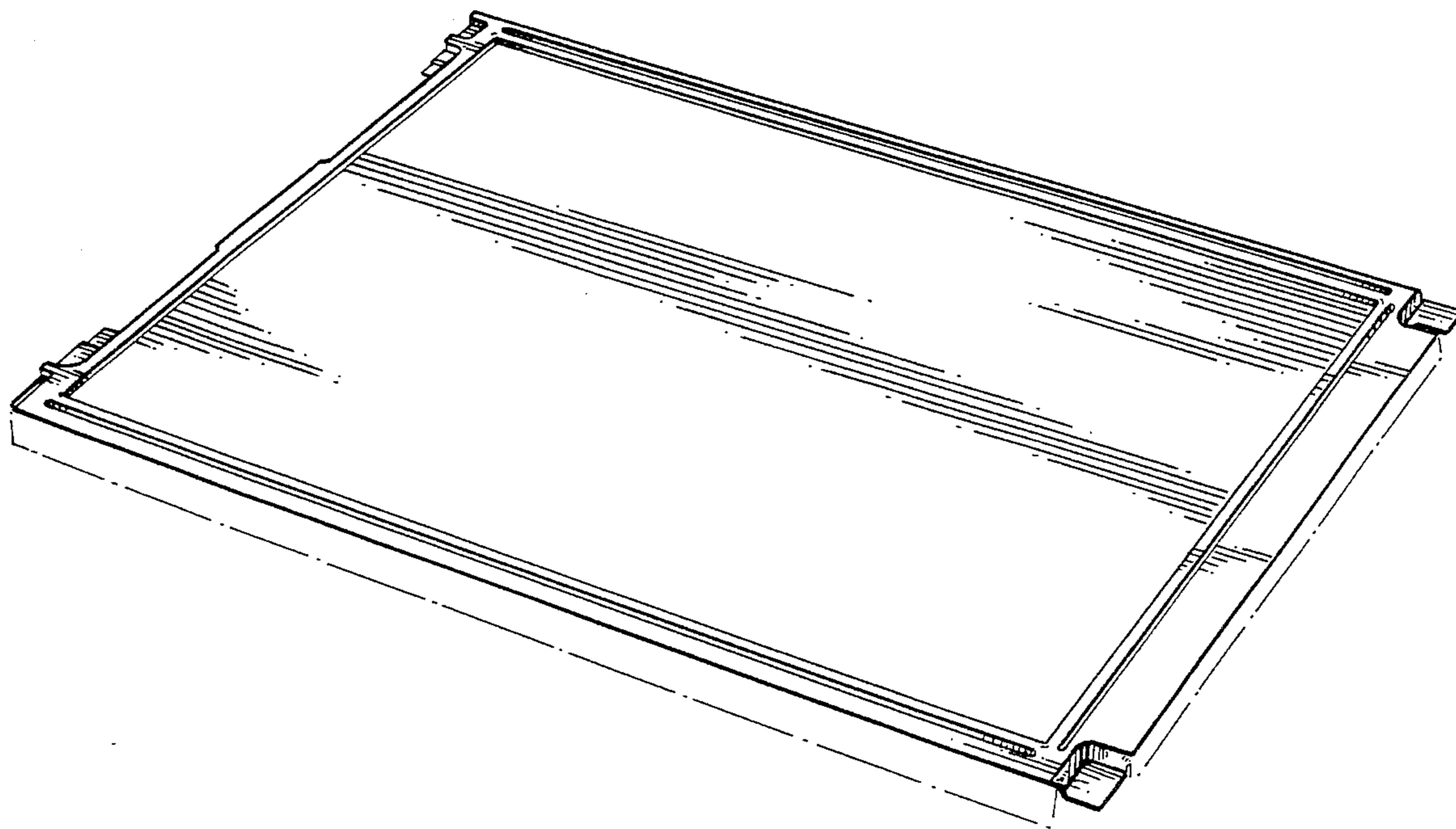
FIG. 2 is a perspective view thereof whereing the liquid crystal display module is shown in broken lines for illustrative purposes only and forms no part of the claimed design the edges and the rear are also not part of the design.

[56] **References Cited**

U.S. PATENT DOCUMENTS

D. 339,574 9/1993 Althans et al. D14/113

1 Claim, 2 Drawing Sheets



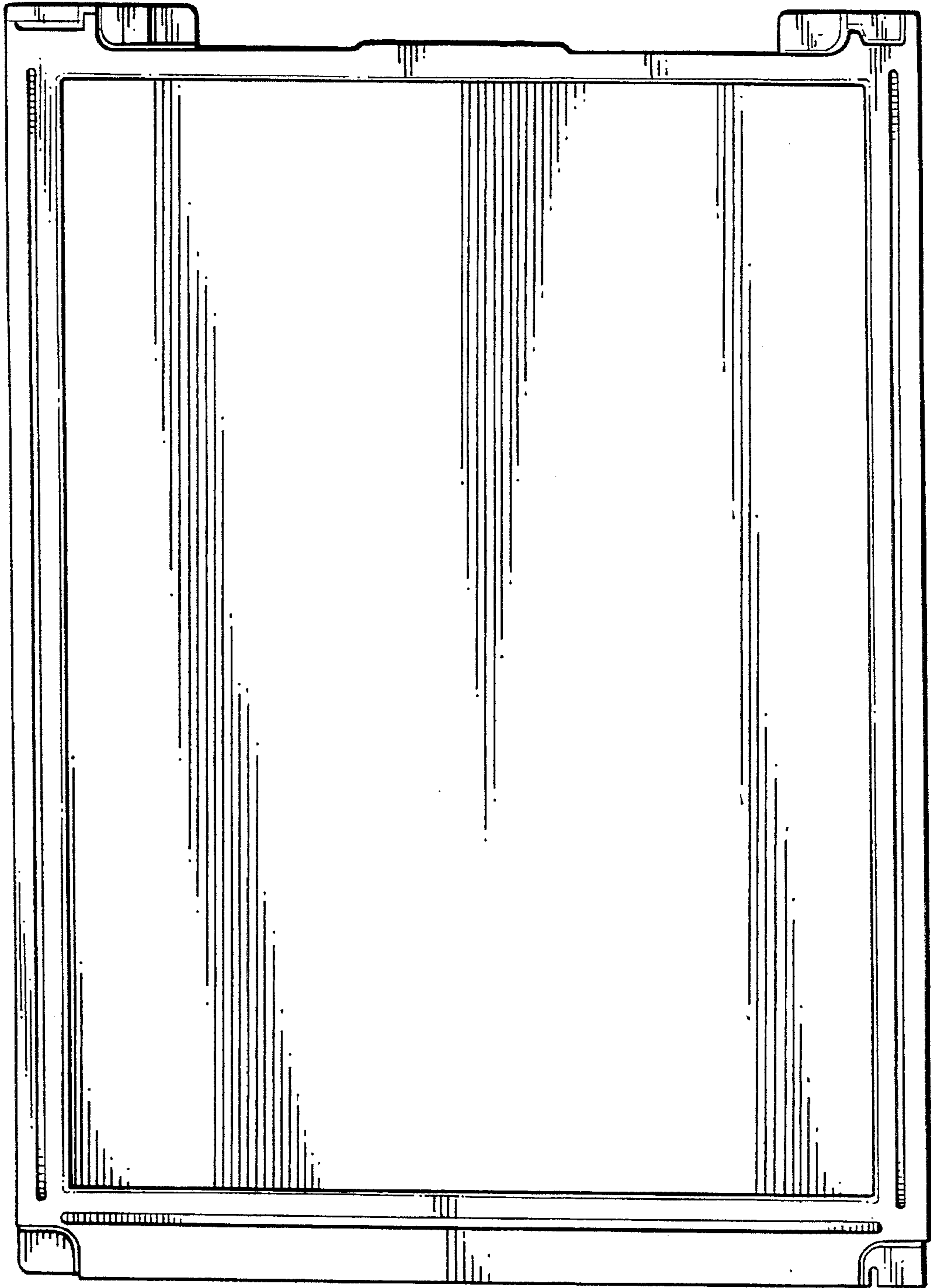


Fig. 1

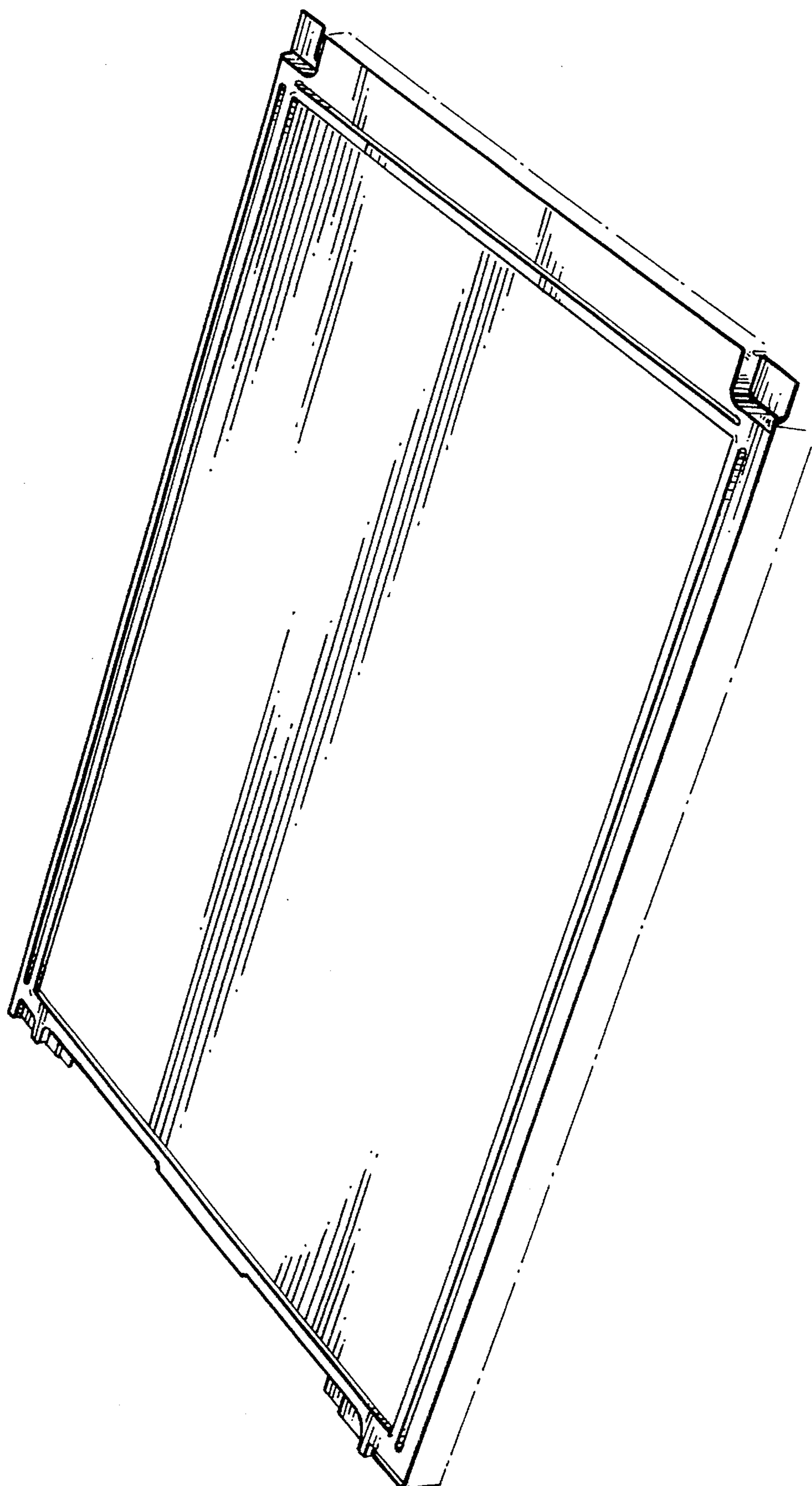


Fig. 2