



US00D364391S

United States Patent [19]

[11] Patent Number: **Des. 364,391**

Drugge

[45] Date of Patent: ****Nov. 21, 1995**

[54] PORTABLE TRANSACTION TERMINAL

[75] Inventor: **Brian R. Drugge**, Los Gatos, Calif.

[73] Assignee: **Verifone Inc.**, Redwood City, Calif.

[**] Term: **14 Years**

[21] Appl. No.: **30,476**

[22] Filed: **Oct. 31, 1994**

[52] U.S. Cl. **D14/100**

[58] Field of Search D14/100, 106,
D14/115, 105; D18/1, 2, 7; 235/145 A,
145 R; 345/156, 168, 169, 172, 173, 87;
341/22, 23; 364/708.1

[56] References Cited

U.S. PATENT DOCUMENTS

D. 246,205	10/1977	Lewis	D18/2 X
D. 333,658	3/1993	Sasaki	D14/105
4,455,100	6/1984	Bauer	D18/7 X
4,458,320	7/1984	Sutton	D18/7 X
4,939,514	7/1990	Miyazaki	D18/7 X

Primary Examiner—Freda Nunn
Attorney, Agent, or Firm—Lowell C. Berstedt

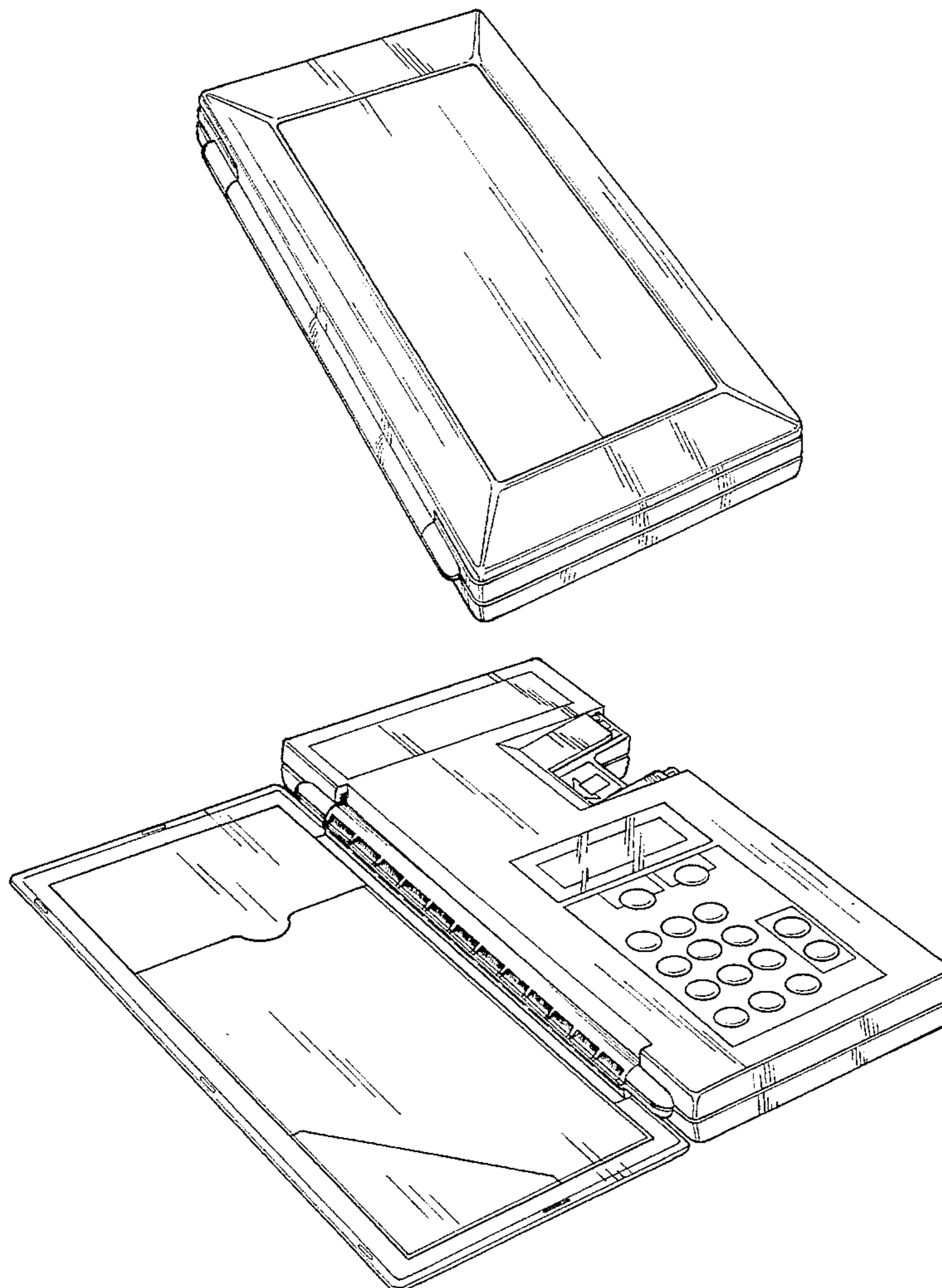
[57] CLAIM

The ornamental design for a portable transaction terminal, as shown and described.

DESCRIPTION

FIG. 1 is a perspective view of a portable transaction terminal showing my new design with the cover closed;
 FIG. 2 is a perspective view of a portable transaction terminal showing my new design with the cover open;
 FIG. 3 is a top plan view of the portable transaction terminal shown in FIG. 2 with cover open;
 FIG. 4 is a right side elevational view of the portable transaction terminal shown with cover closed as in FIG. 1;
 FIG. 5 is a left side elevational view of the portable transaction terminal shown with cover closed as in FIG. 1;
 FIG. 6 is a top plan view of the portable transaction terminal shown in FIG. 1 with cover closed;
 FIG. 7 is a bottom plan view of the portable transaction terminal shown in FIG. 1 with cover closed;
 FIG. 8 is a front elevation view the portable transaction terminal shown in FIG. 1 with cover closed; and,
 FIG. 9 is a back elevation view the portable transaction terminal shown in FIG. 1 with cover closed.

1 Claim, 4 Drawing Sheets



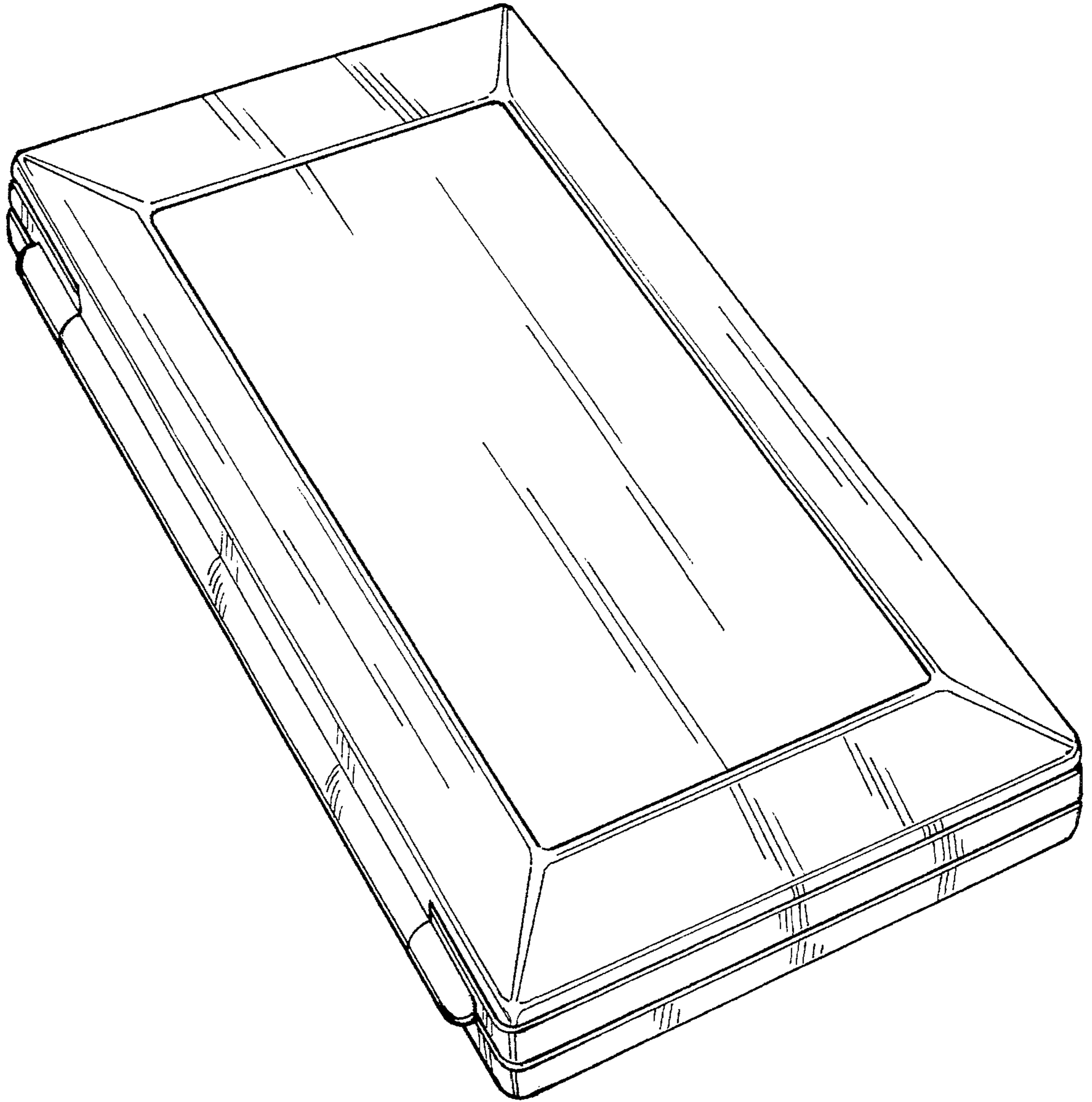


FIG. 1

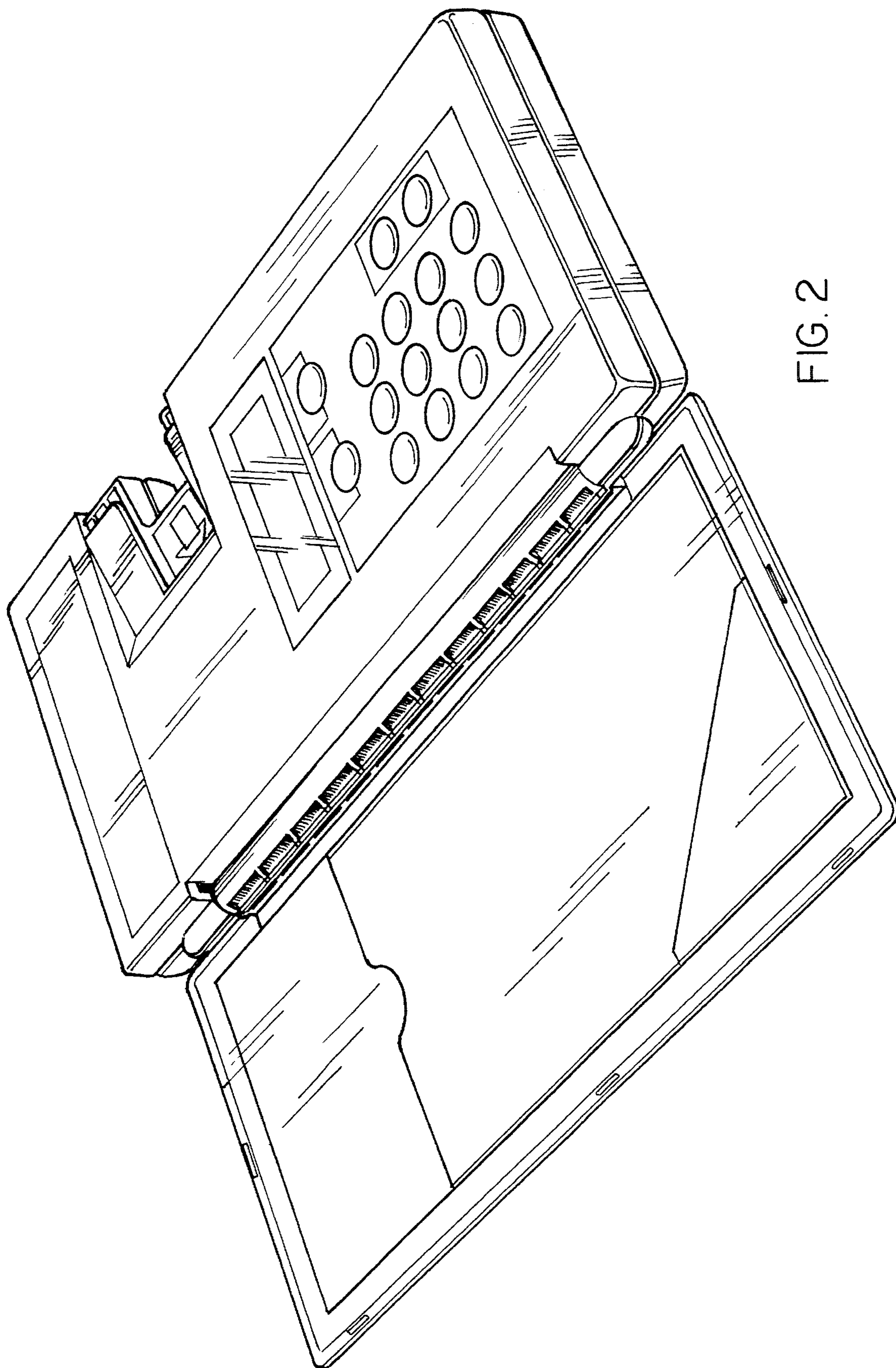


FIG. 2

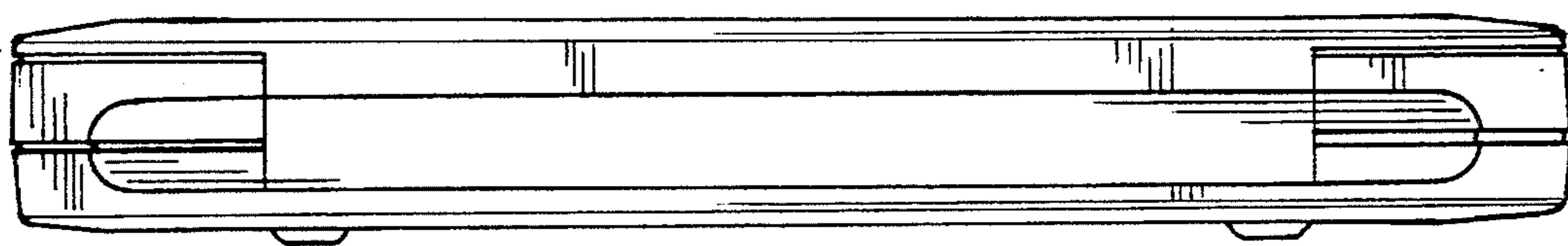


FIG. 5

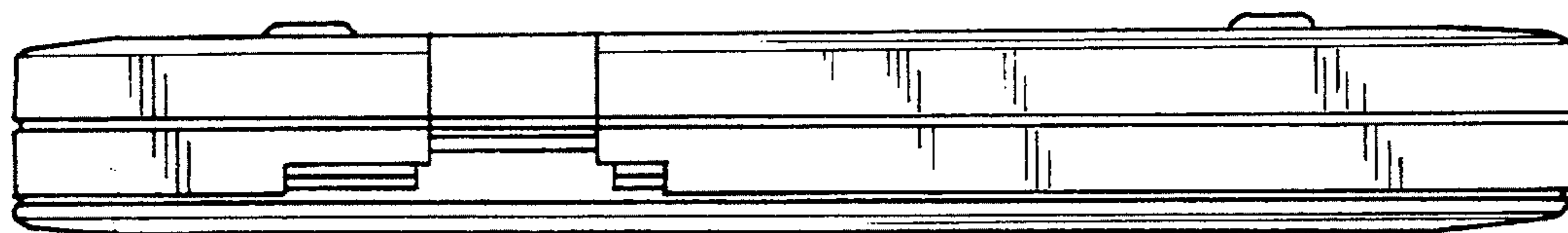


FIG. 4

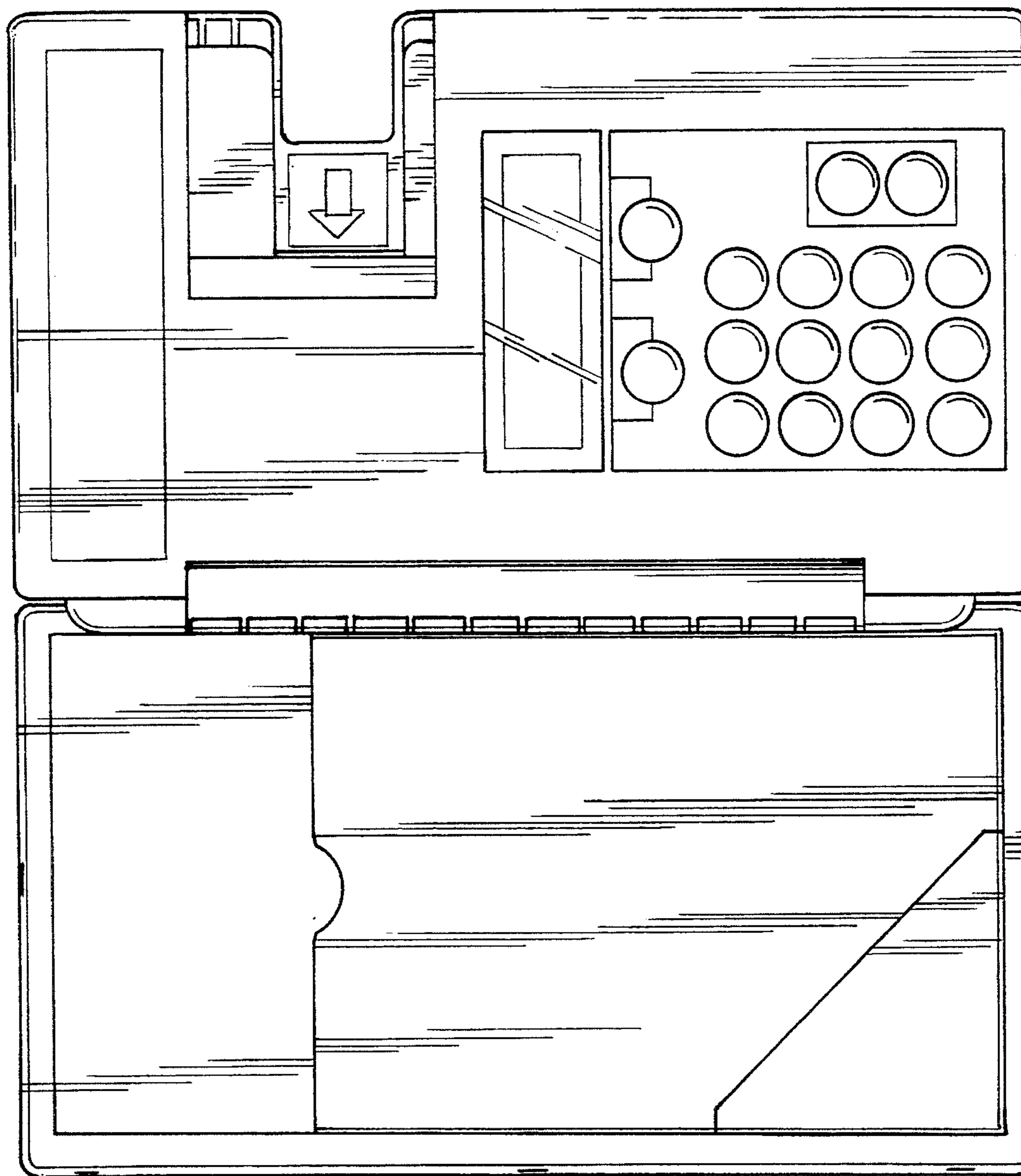


FIG. 3

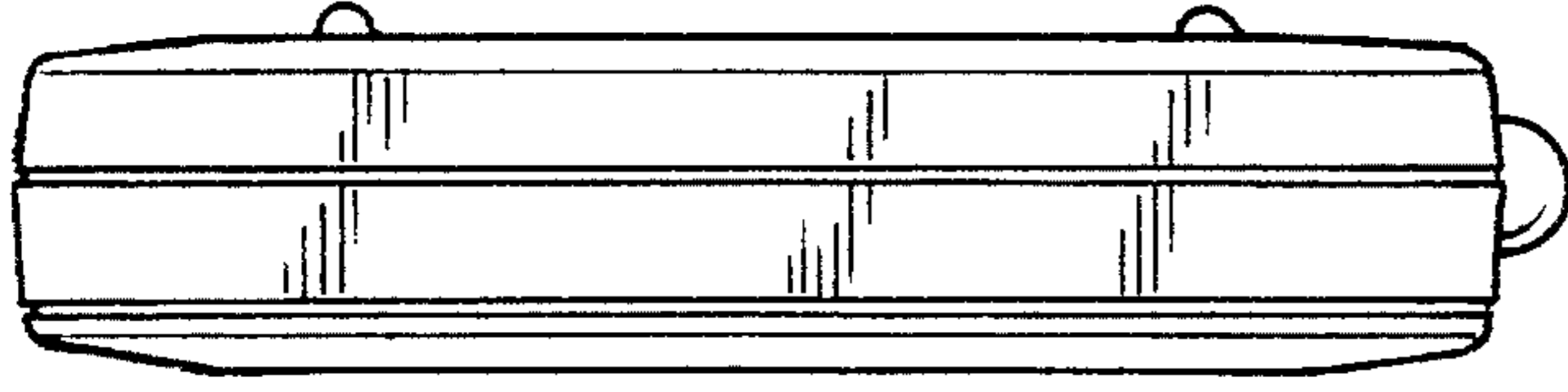


FIG. 8

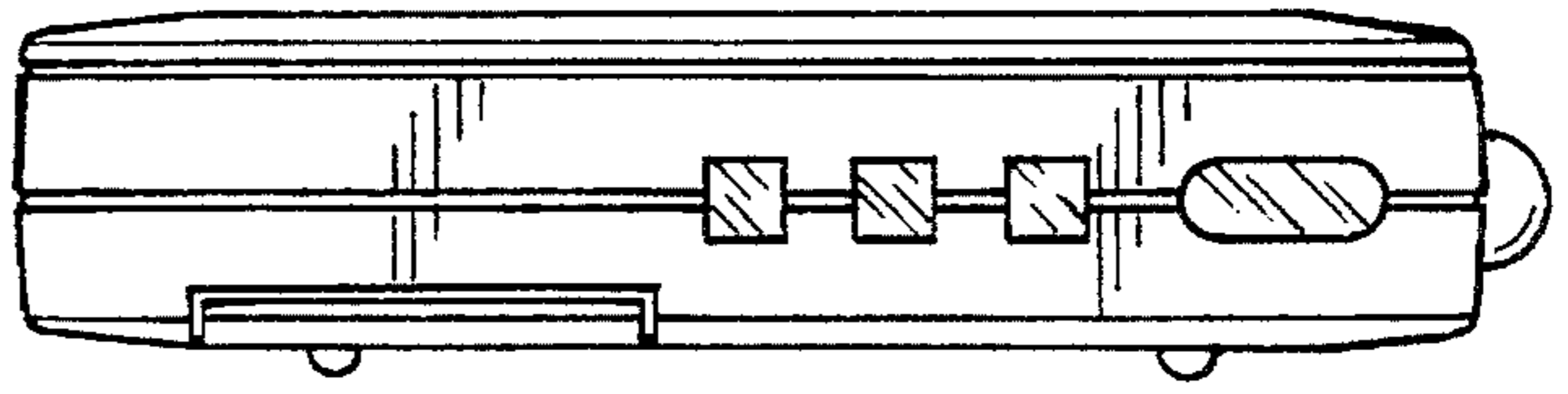


FIG. 9

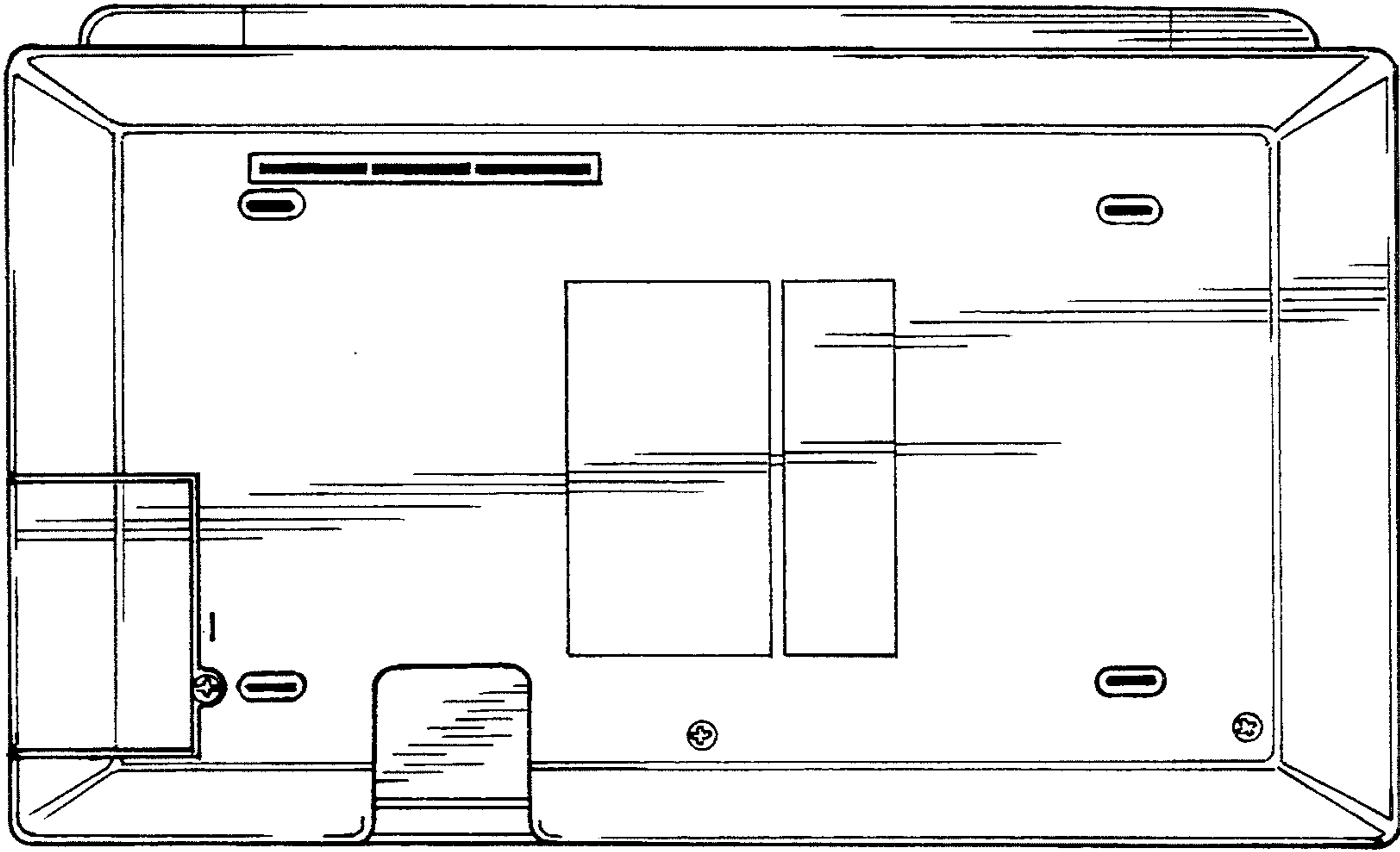


FIG. 7

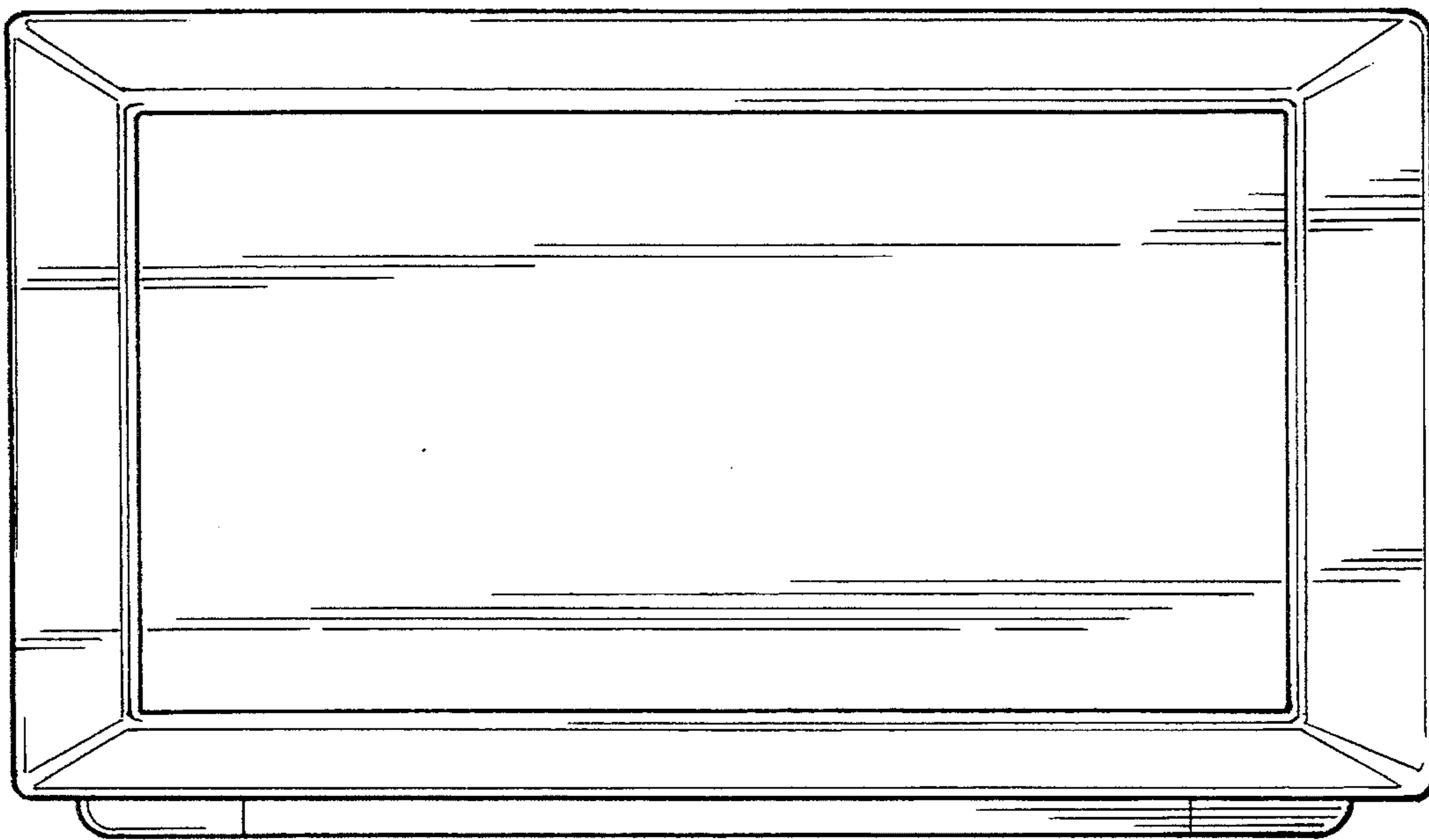


FIG. 6