



US00D364388S

**United States Patent** [19]  
**Miyahara**

[11] **Patent Number: Des. 364,388**  
[45] **Date of Patent: \*\*Nov. 21, 1995**

[54] **IMAGE INPUT DEVICE**

4,825,295 4/1989 Ishikawa et al. .... D14/107 X

[75] Inventor: **Kazuhiko Miyahara**, Yokohama, Japan

*Primary Examiner*—Freda Nunn

[73] Assignee: **Canon Kabushiki Kaisha**, Tokyo, Japan

*Attorney, Agent, or Firm*—Fitzpatrick, Cella, Harper & Scinto

[\*\*] Term: **14 Years**

[57] **CLAIM**

[21] Appl. No.: **27,504**

The ornamental design for an image input device, as shown and described.

[22] Filed: **Aug. 23, 1994**

**DESCRIPTION**

[30] **Foreign Application Priority Data**

Mar. 2, 1994 [JP] Japan ..... 6-5330

[52] **U.S. Cl.** ..... **D14/107; D16/208**

[58] **Field of Search** ..... D14/100, 105, D14/107; D18/36, 37, 39; D16/208, 214, 223, 232; 250/566, 568, 569; 382/59; 348/373-376; 235/454, 462, 470, 380, 382, 382.5, 476, 482, 441, 483; 358/408, 472, 474, 497

FIG. 1 is a front elevational view of an image input device showing my new design;

FIG. 2 is a rear elevational view thereof;

FIG. 3 is a top plan view thereof;

FIG. 4 is a bottom plan view thereof;

FIG. 5 is a left side elevational view thereof;

FIG. 6 is a right side elevational view thereof; and,

FIG. 7 is a perspective view thereof.

[56] **References Cited**

**U.S. PATENT DOCUMENTS**

D. 327,672 7/1992 Iimura ..... D14/107

**1 Claim, 4 Drawing Sheets**

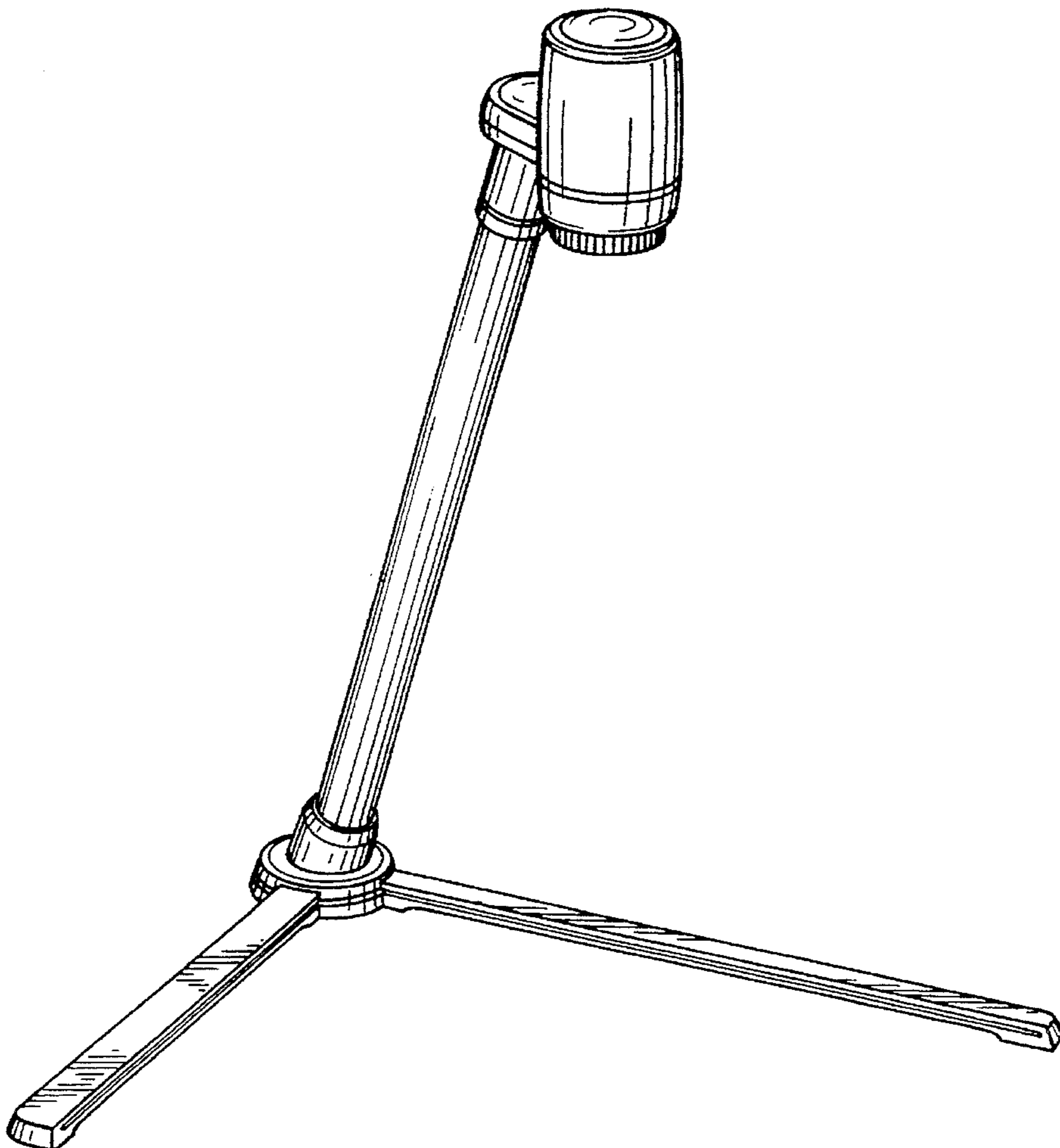


FIG. 2

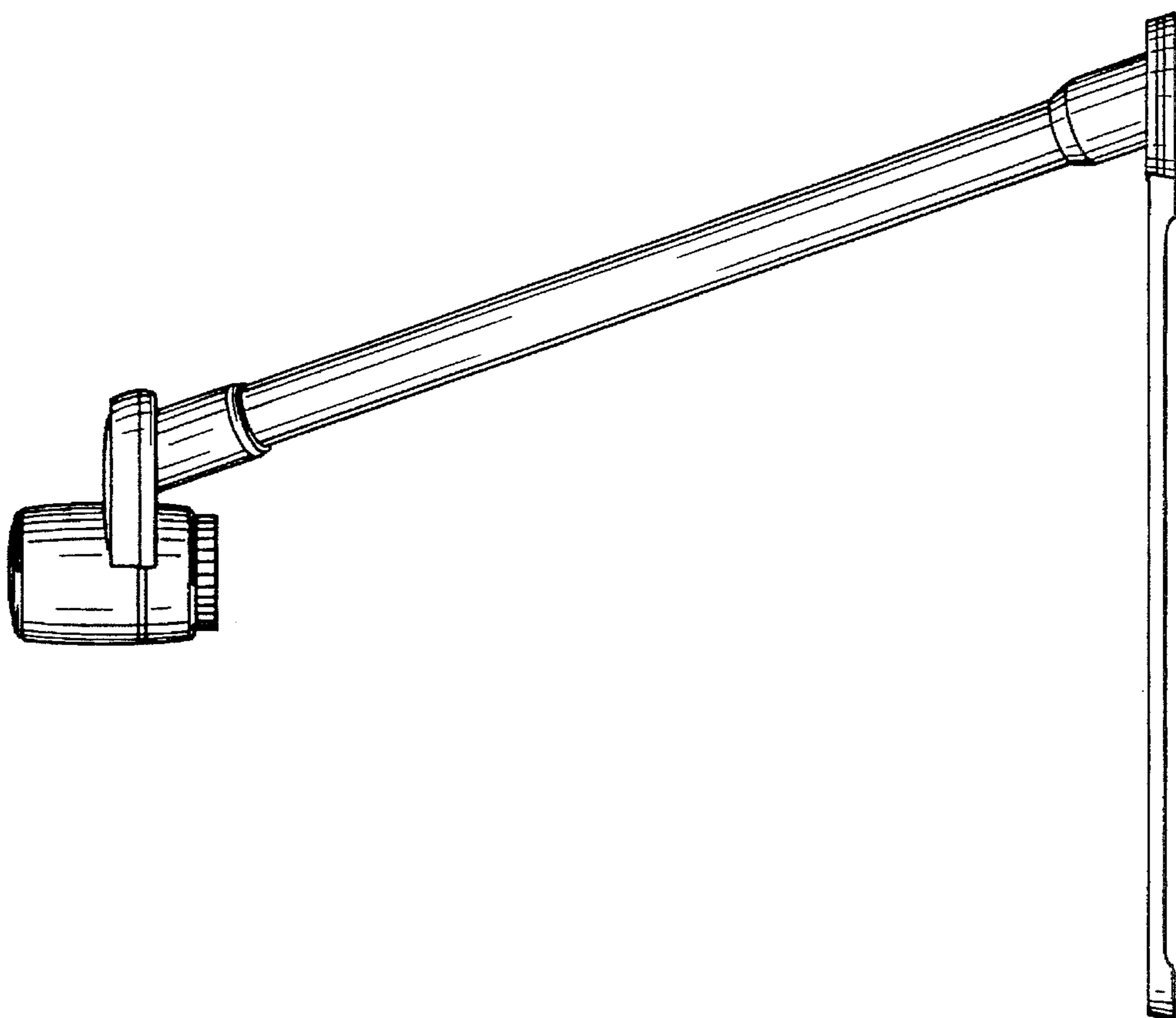


FIG. 1

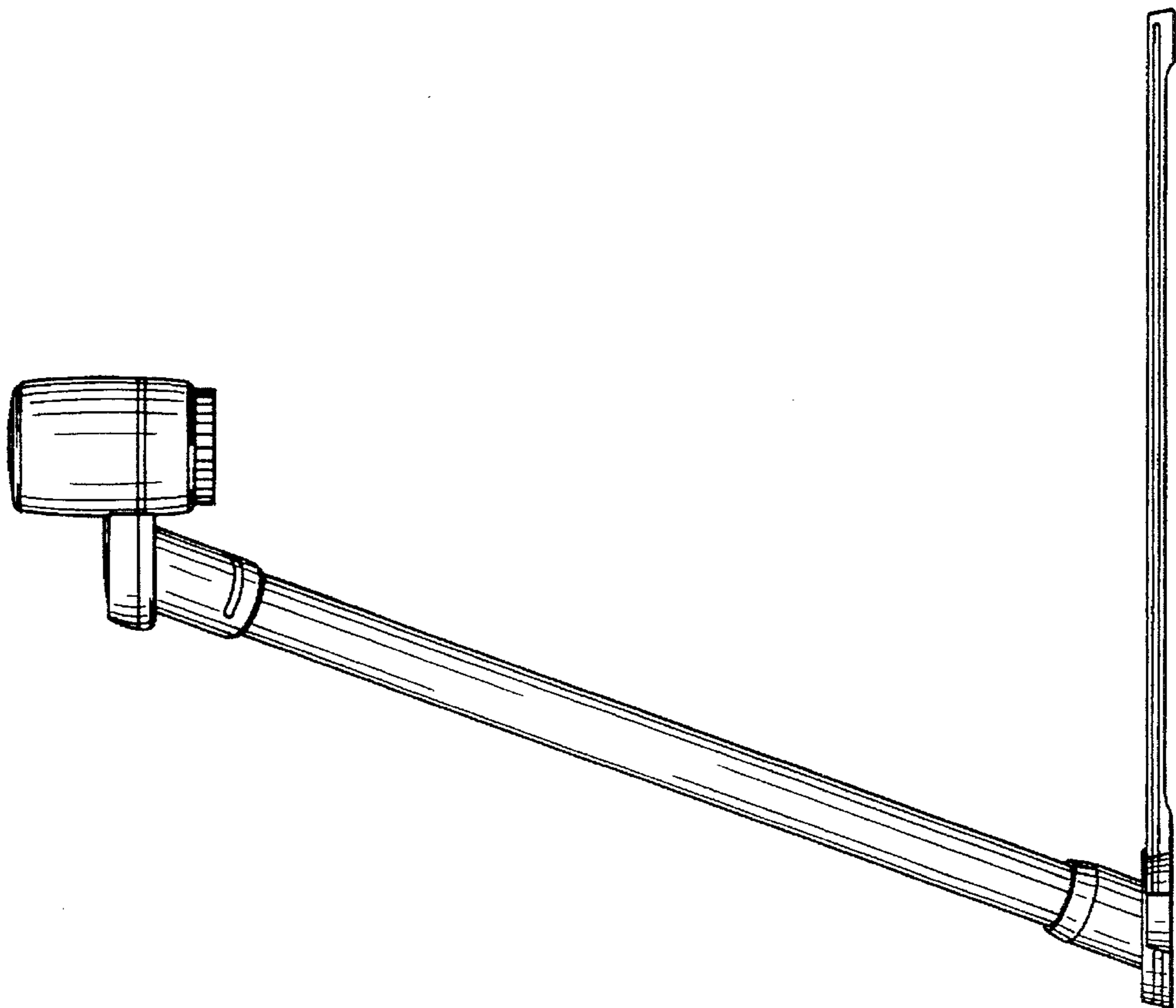


FIG. 4

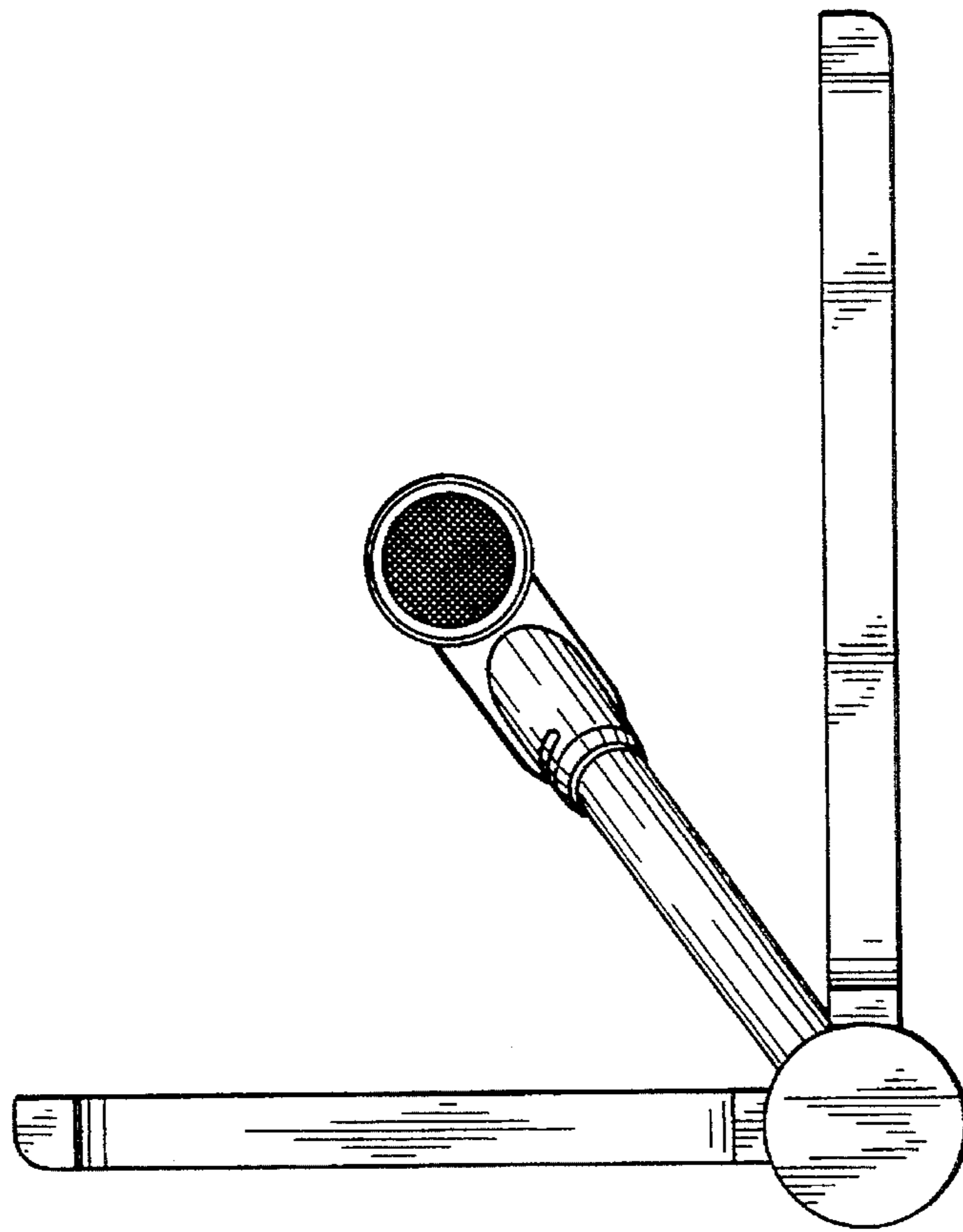


FIG. 3

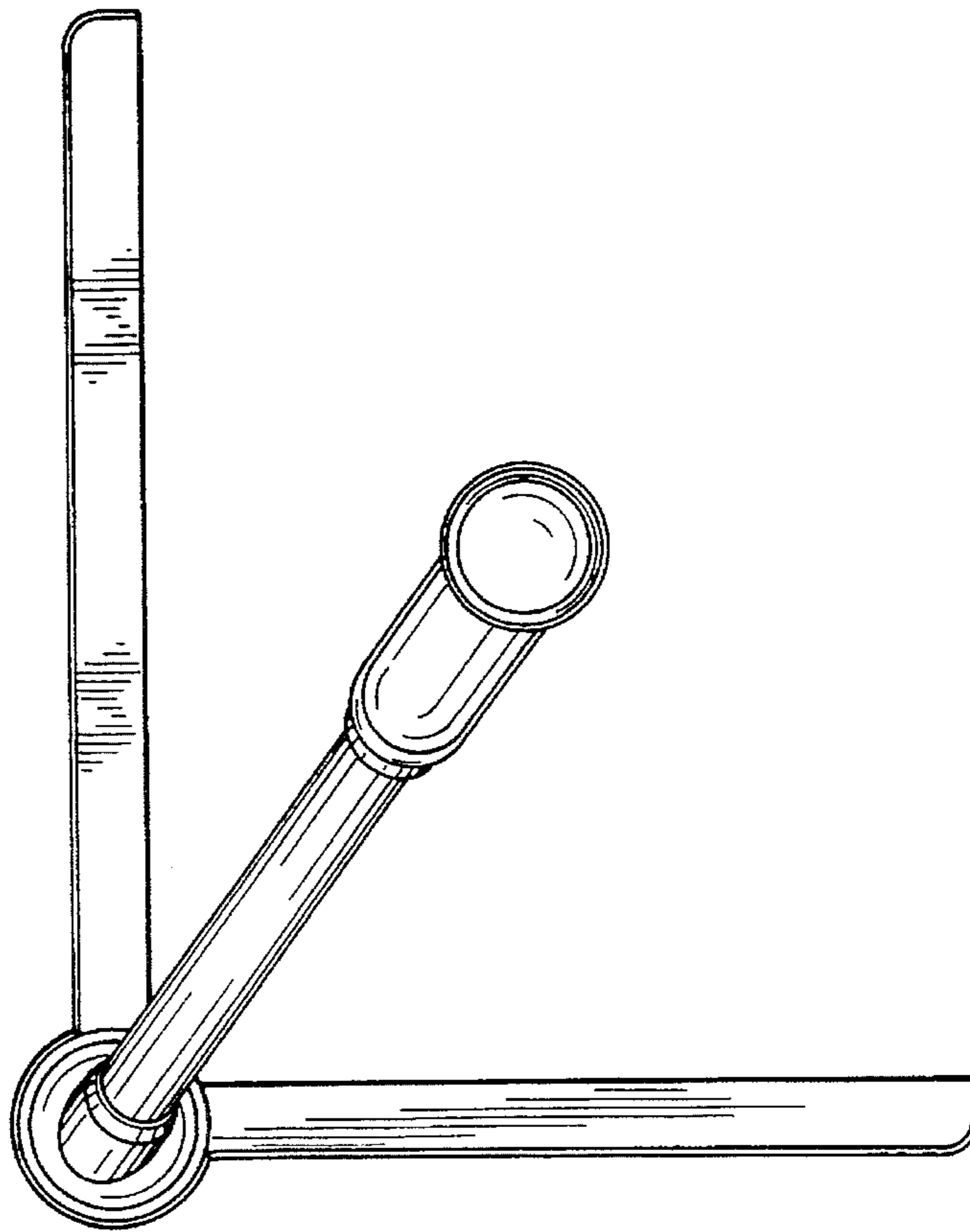


FIG. 6

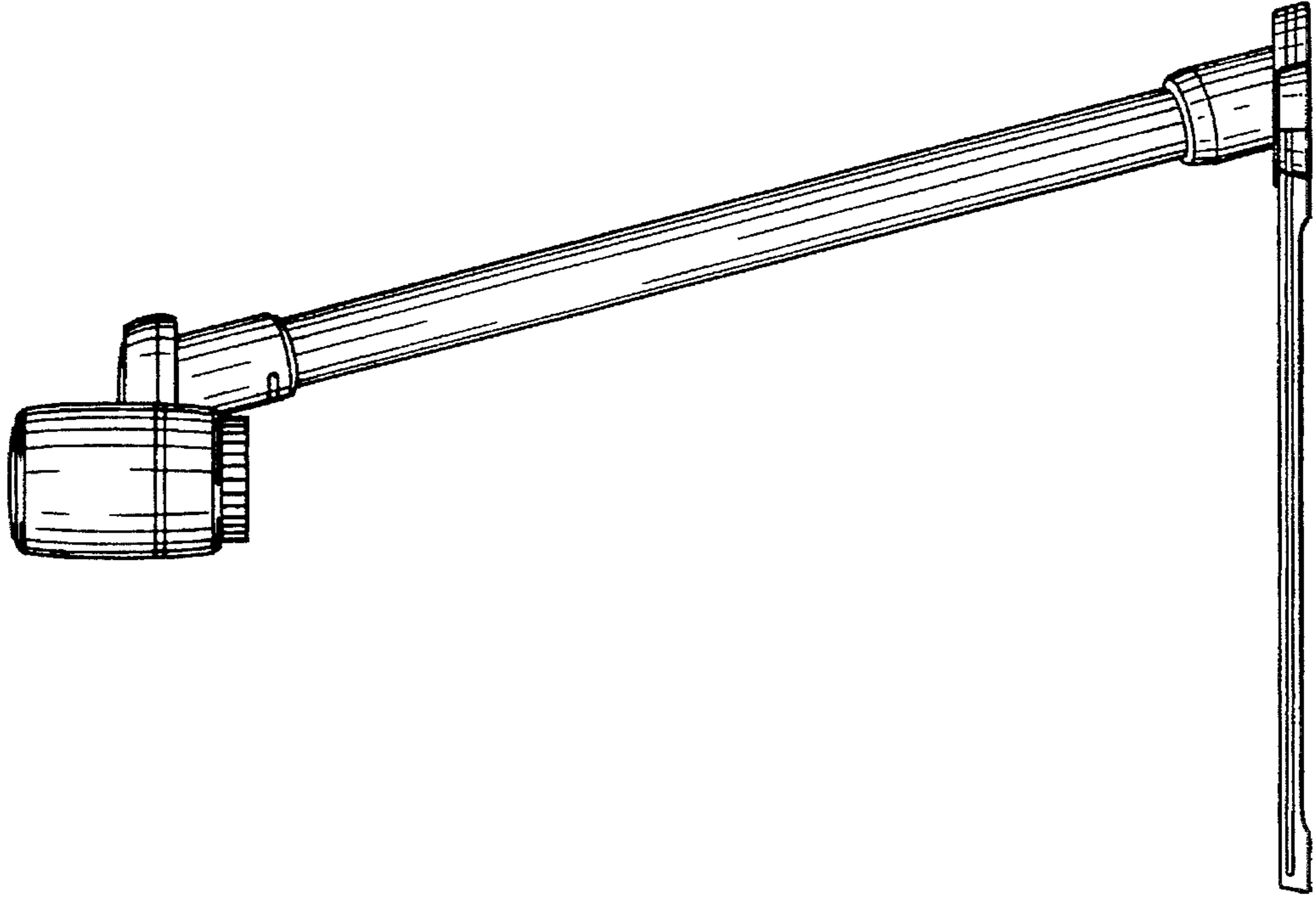
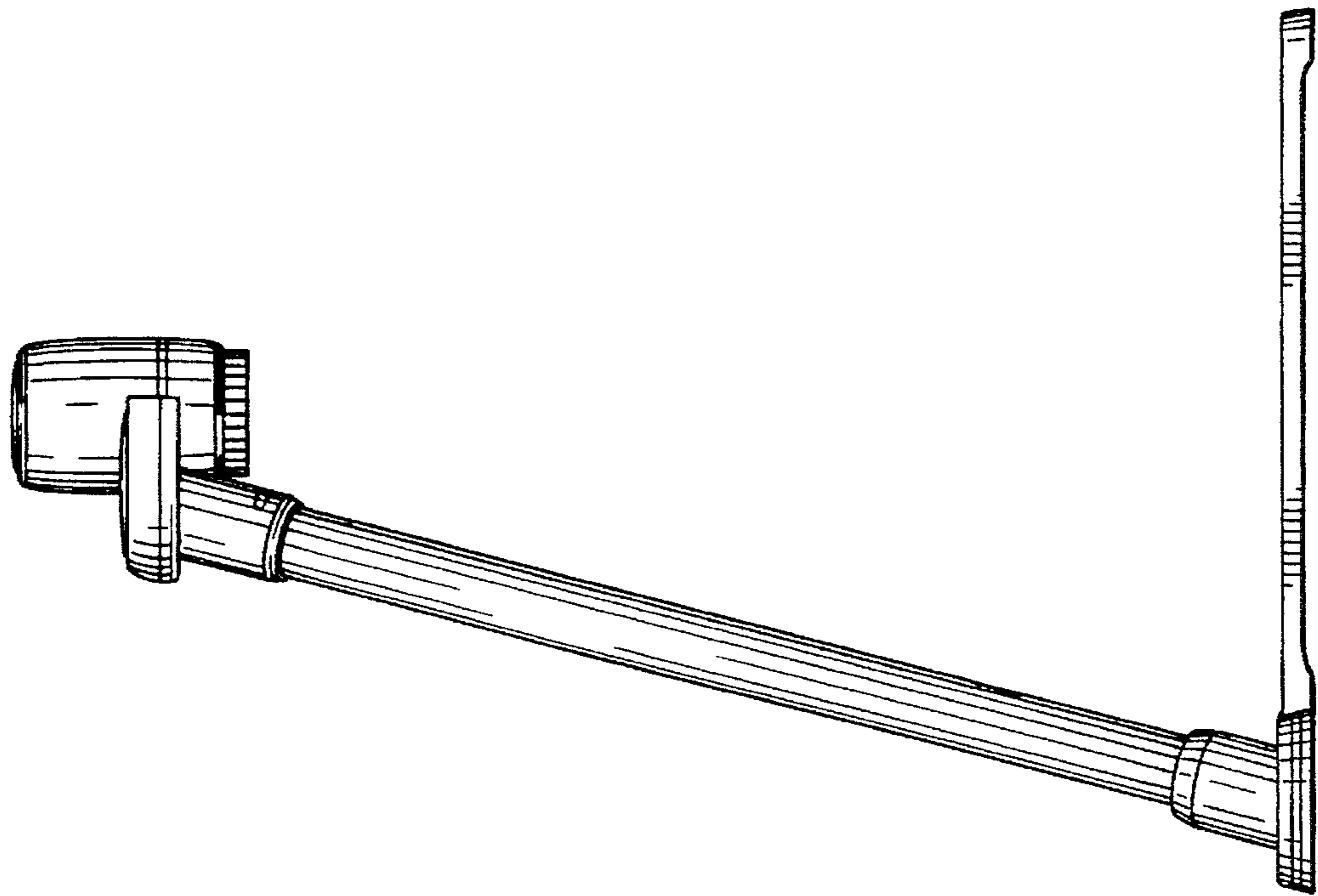


FIG. 5



*FIG. 7*

