



US00D364385S

United States Patent [19]

[11] Patent Number: **Des. 364,385**

Shimizu et al.

[45] Date of Patent: ****Nov. 21, 1995**

[54] SEMI-CONDUCTOR ELEMENT WITH
TERMINAL CASING

4,750,031	6/1988	Miller et al.	174/52.4 X
5,347,160	9/1994	Sutrina	257/690 X
5,410,450	4/1995	Iida et al.	361/752 X

[75] Inventors: **Tomio Shimizu; Akira Nakahira; Rikihiro Maruyama; Toshifusa Yamada; Takao Nagasawa**, all of Kanagawa, Japan

Primary Examiner—Joel Sincavage
Attorney, Agent, or Firm—Sughrue, Mion, Zinn, Macpeak & Seas

[73] Assignee: **Fuji Electric Co., Ltd.**, Kanagawa, Japan

[57] CLAIM

[**] Term: **14 Years**

The ornamental design for a semi-conductor element with terminal casing, as shown.

[21] Appl. No.: **28,487**

DESCRIPTION

[22] Filed: **Sep. 16, 1994**

FIG. 1 is a perspective view of the front, top and right side of a semi-conductor element with terminal casing showing our new design;

[30] Foreign Application Priority Data

May 11, 1994 [JP] Japan 6-13276

FIG. 2 is a front elevational view thereof;

[52] U.S. Cl. **D13/182; D13/146**

FIG. 3 is a top plan view thereof;

[58] Field of Search **D13/182; 174/52.4, 174/52.5; 257/690; 361/752, 798, 820**

FIG. 4 is a right side elevational view thereof;

FIG. 5 is a left side elevational view thereof;

[56] References Cited

FIG. 6 is a rear elevational view thereof; and,

FIG. 7 is a bottom plan view thereof.

U.S. PATENT DOCUMENTS

4,218,724 8/1980 Kaufman 361/752 X

1 Claim, 2 Drawing Sheets

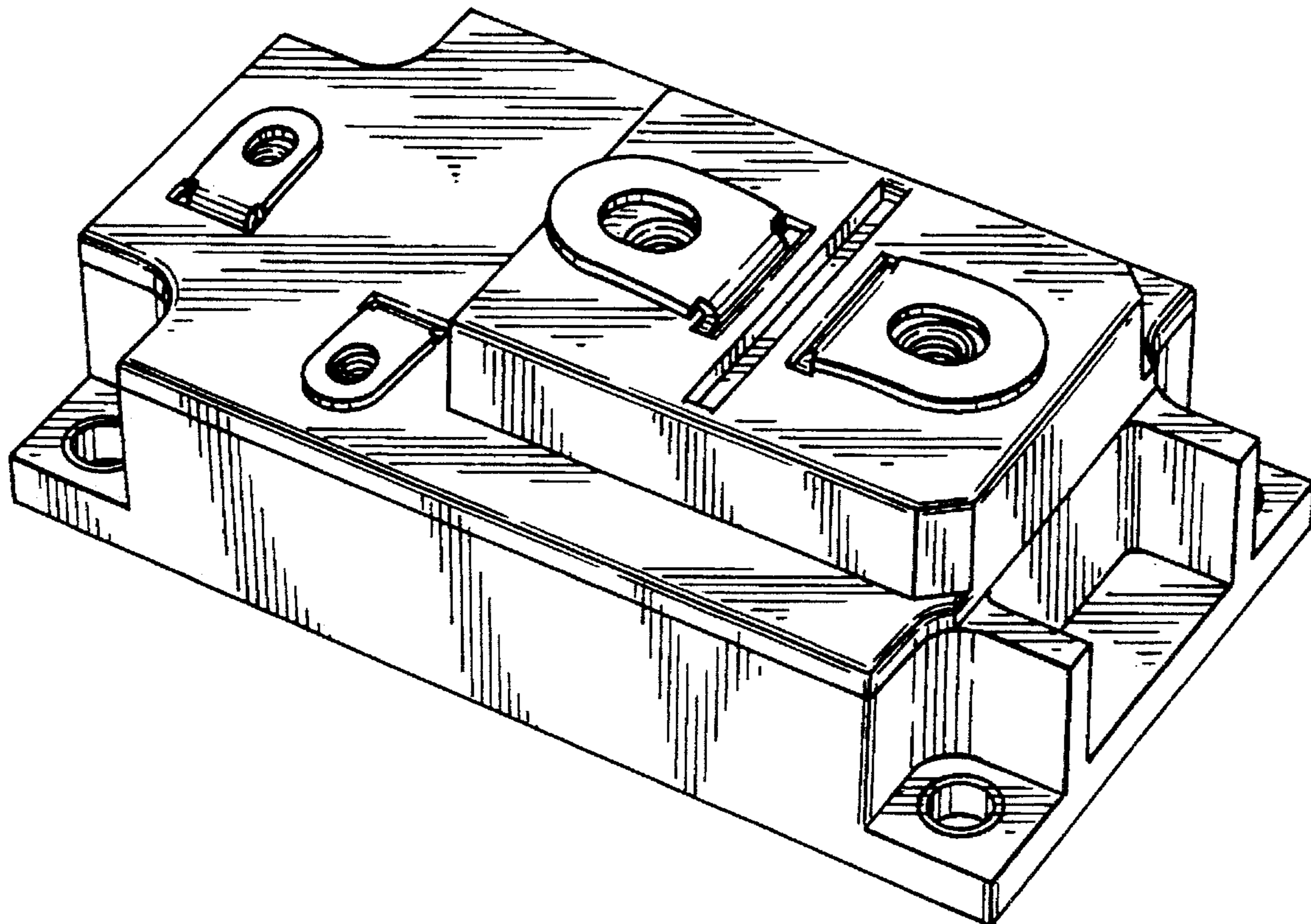


FIG. 1

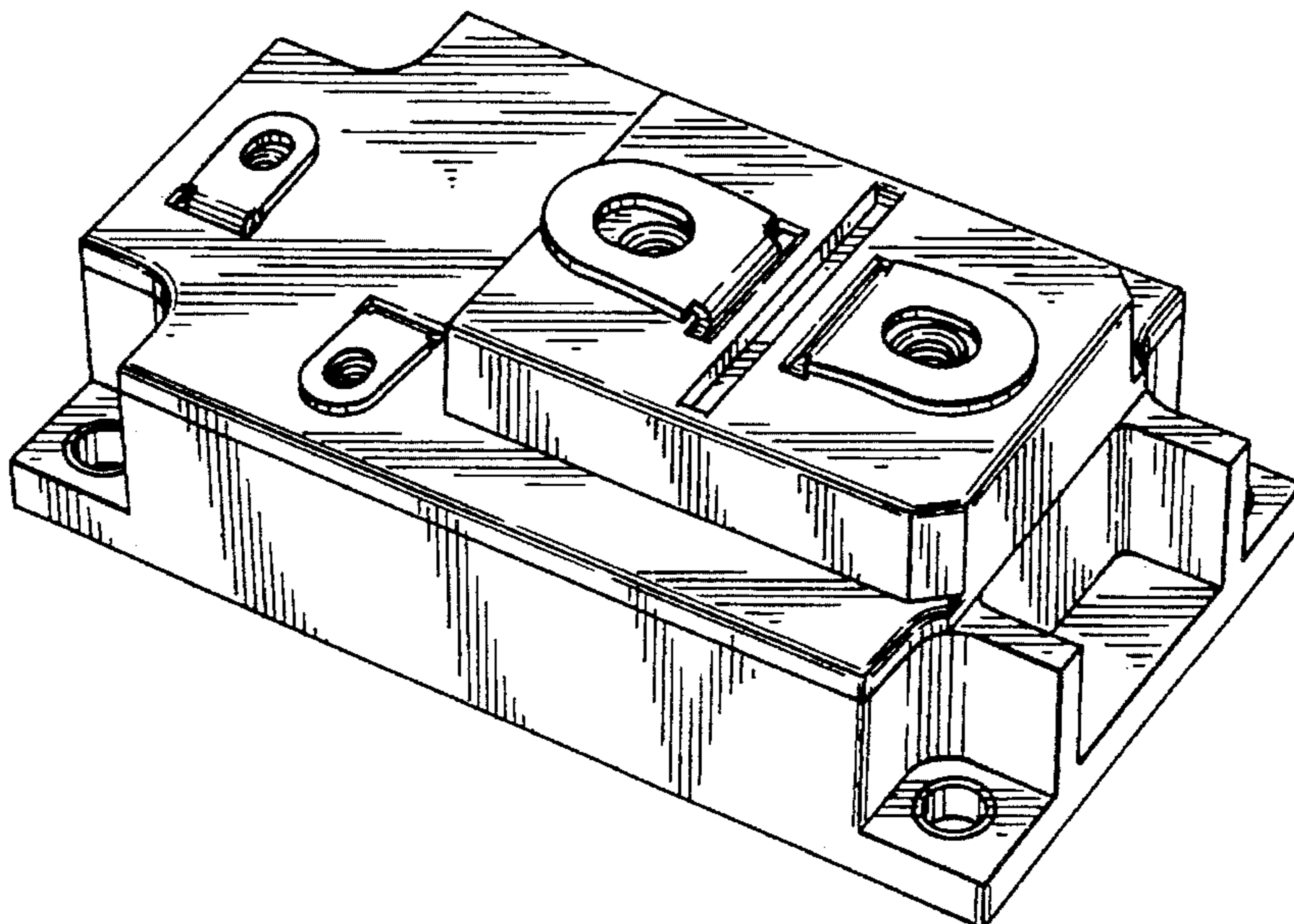


FIG. 2

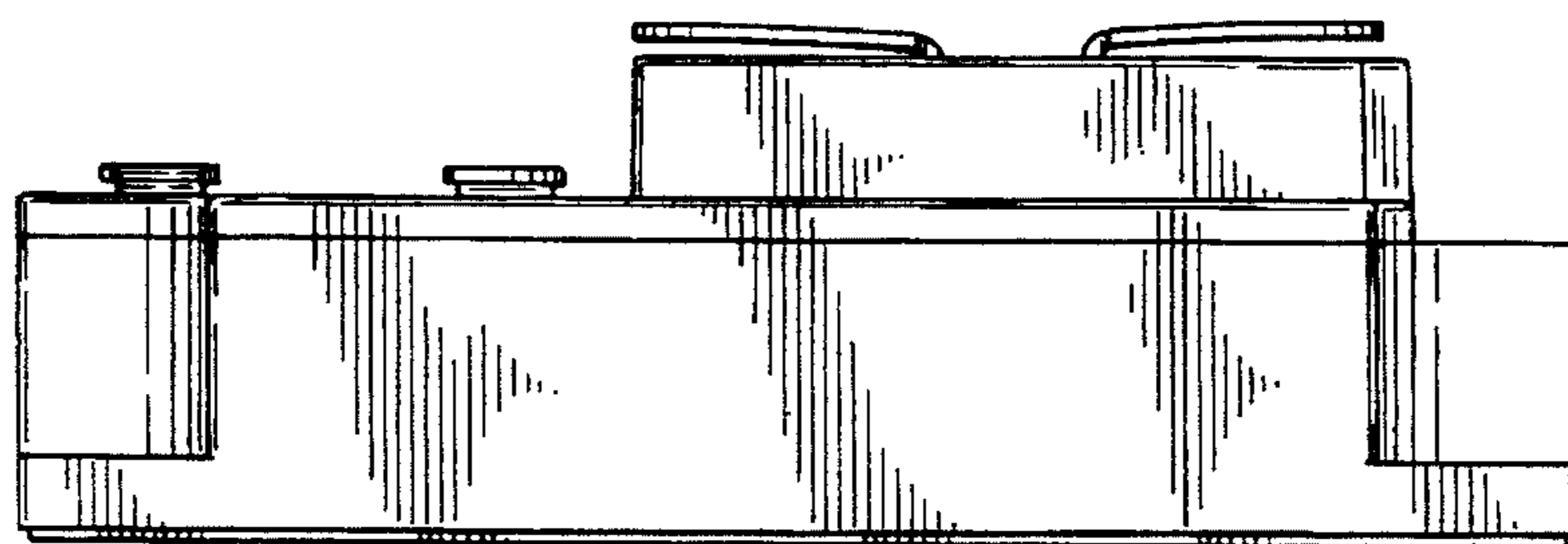


FIG. 3

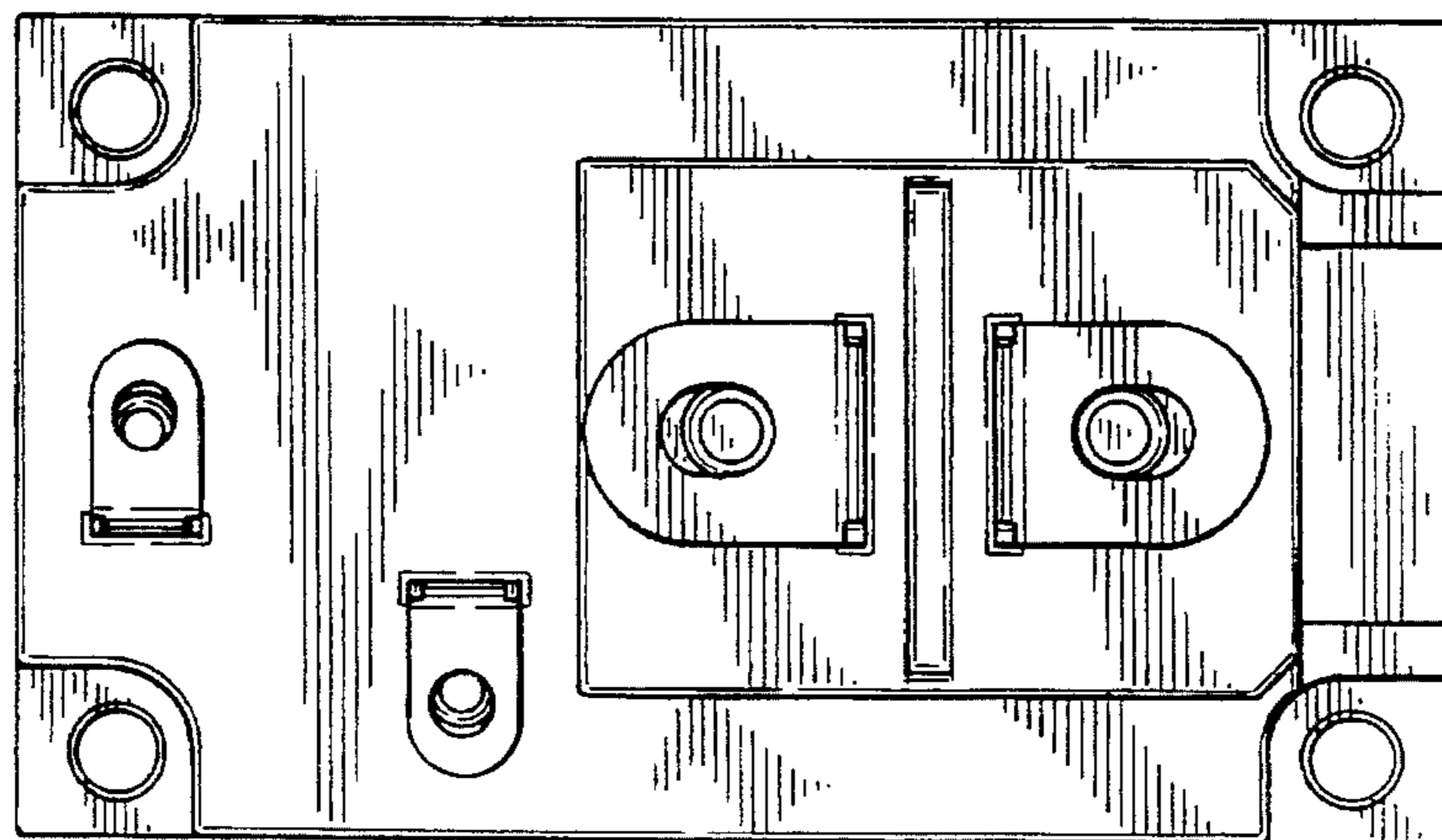


FIG. 4

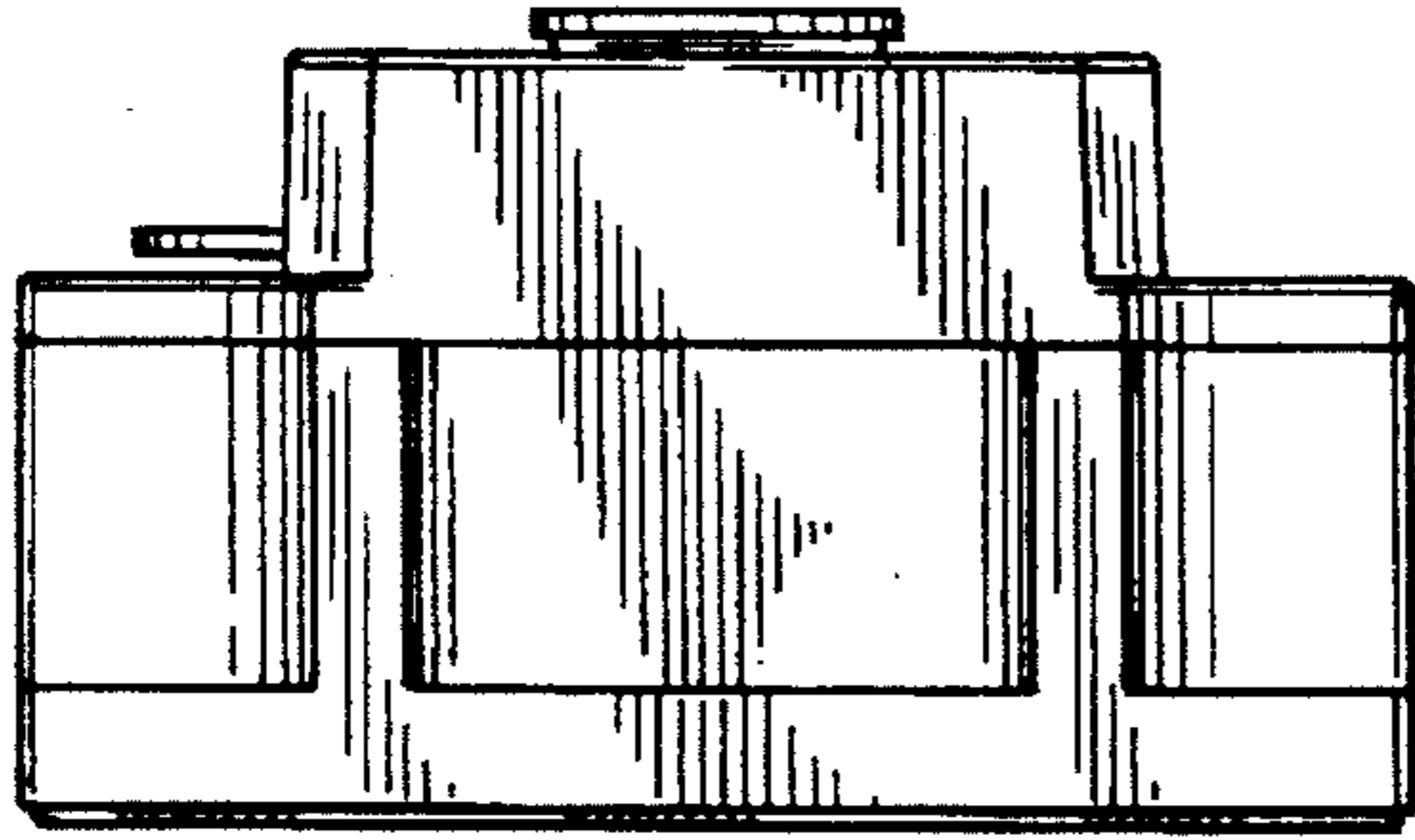


FIG. 5

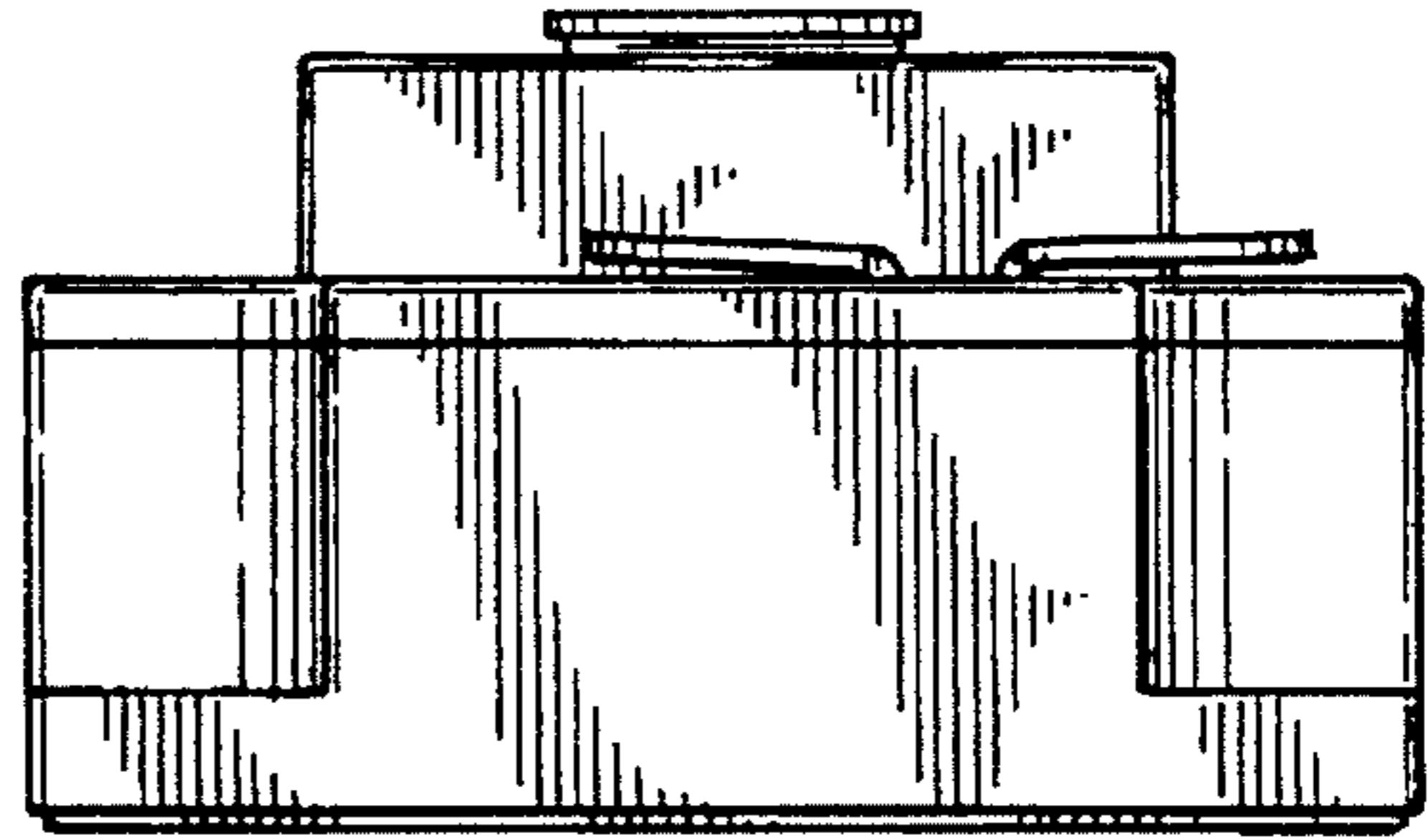


FIG. 6

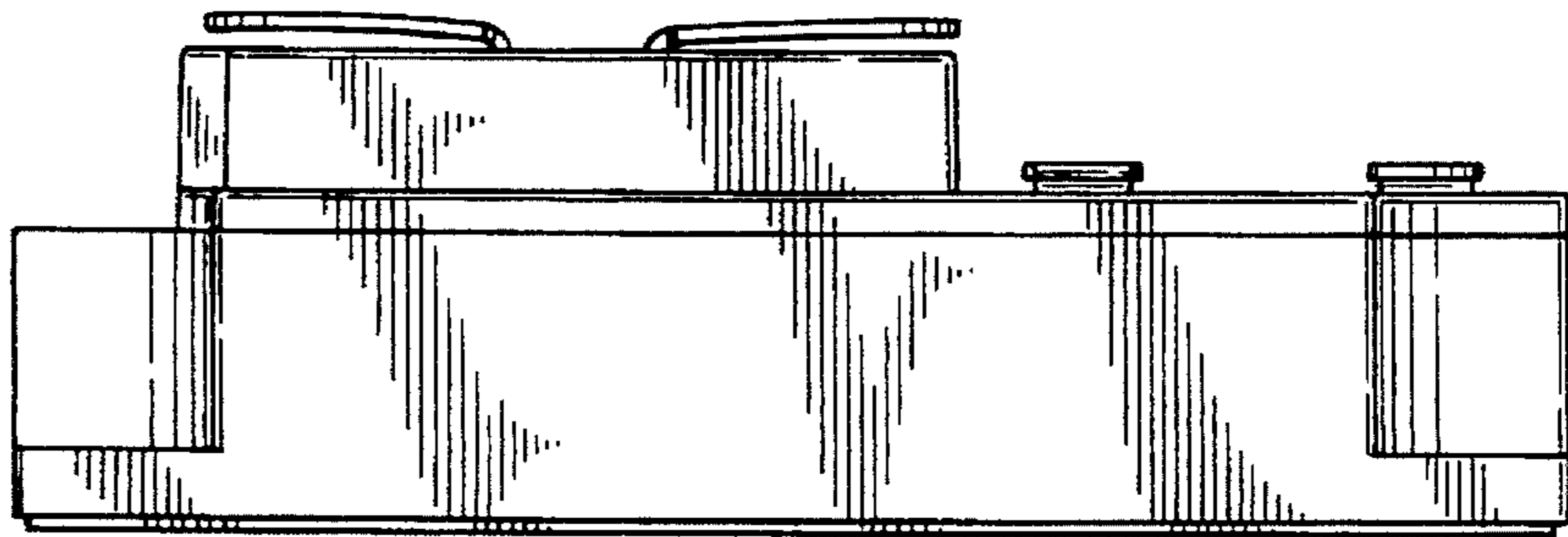


FIG. 7

