



US00D364384S

# United States Patent [19]

Shimizu et al.

[11] Patent Number: **Des. 364,384**

[45] Date of Patent: **\*\*Nov. 21, 1995**

[54] **SEMI-CONDUCTOR ELEMENT WITH TERMINAL CASING**

4,510,677 4/1985 Collumeau ..... 174/52.4 X  
5,408,128 4/1995 Furnival ..... 257/690

[75] Inventors: **Tomio Shimizu; Akira Nakahira; Shinichi Kobayashi; Katsumi Yamada**, all of Kanagawa, Japan

*Primary Examiner*—Joel Sincavage  
*Attorney, Agent, or Firm*—Sughrue, Mion, Zinn, Macpeak & Seas

[73] Assignee: **Fuji Electric Co., Ltd.**, Kanagawa, Japan

[57] **CLAIM**

[\*\*] Term: **14 Years**

The ornamental design for a semi-conductor element with terminal casing, as shown.

[21] Appl. No.: **28,486**

**DESCRIPTION**

[22] Filed: **Sep. 16, 1994**

FIG. 1 is a perspective view of the front, top and right side of a semi-conductor element with terminal casing showing our new design;

[30] **Foreign Application Priority Data**

May 23, 1994 [JP] Japan ..... 6-14733

FIG. 2 is a front elevational view thereof;

[52] U.S. Cl. .... **D13/182; D13/146**

FIG. 3 is a top plan view thereof;

[58] Field of Search ..... **D13/182; 174/52.4, 174/52.5; 257/690; 361/752, 798, 820**

FIG. 4 is a right side elevational view thereof;

FIG. 5 is a left side elevational view thereof;

[56] **References Cited**

FIG. 6 is a rear elevational view thereof; and,

FIG. 7 is a bottom plan view thereof.

**U.S. PATENT DOCUMENTS**

4,252,864 2/1981 Coldren ..... 174/52.4 X

**1 Claim, 2 Drawing Sheets**

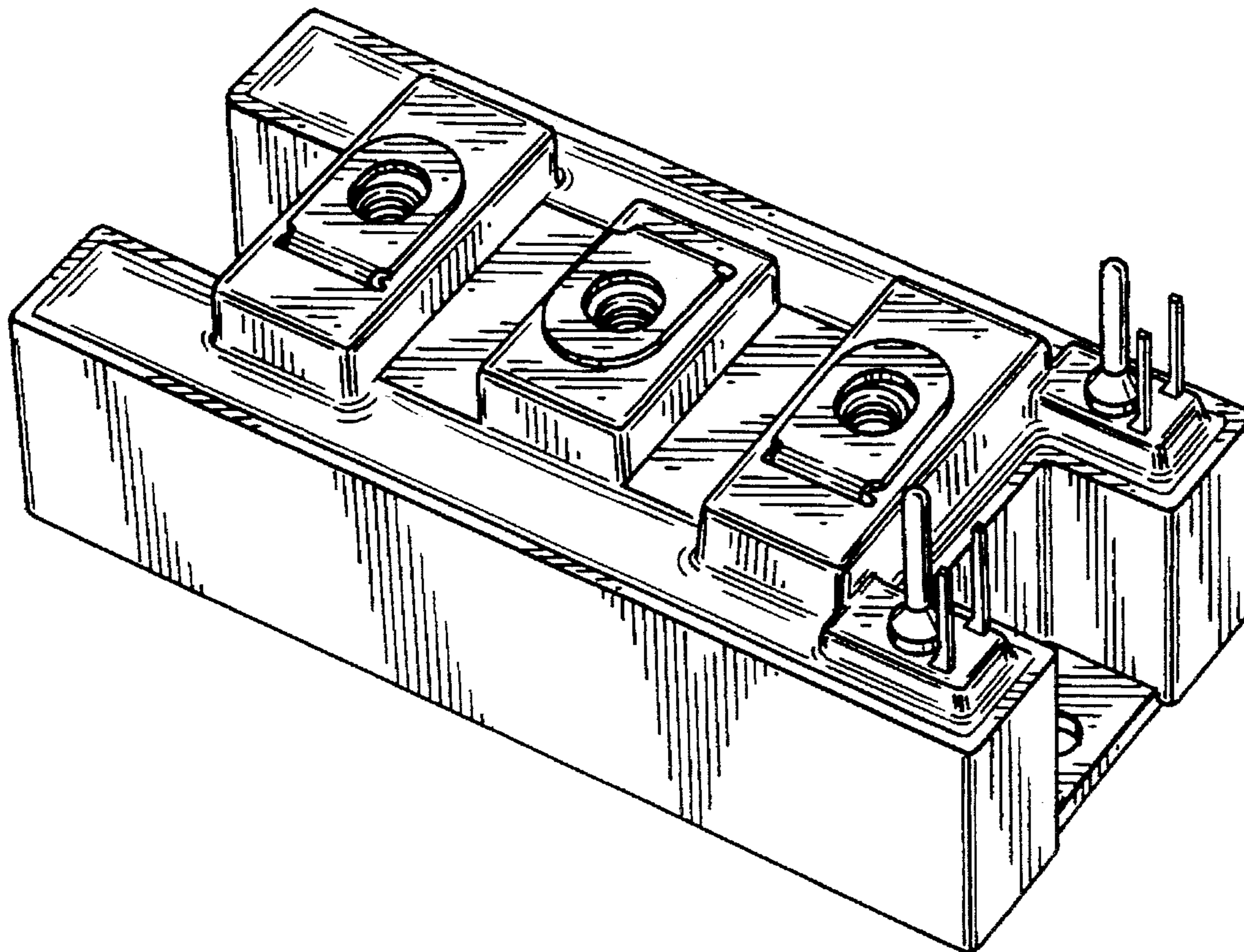


FIG. 1

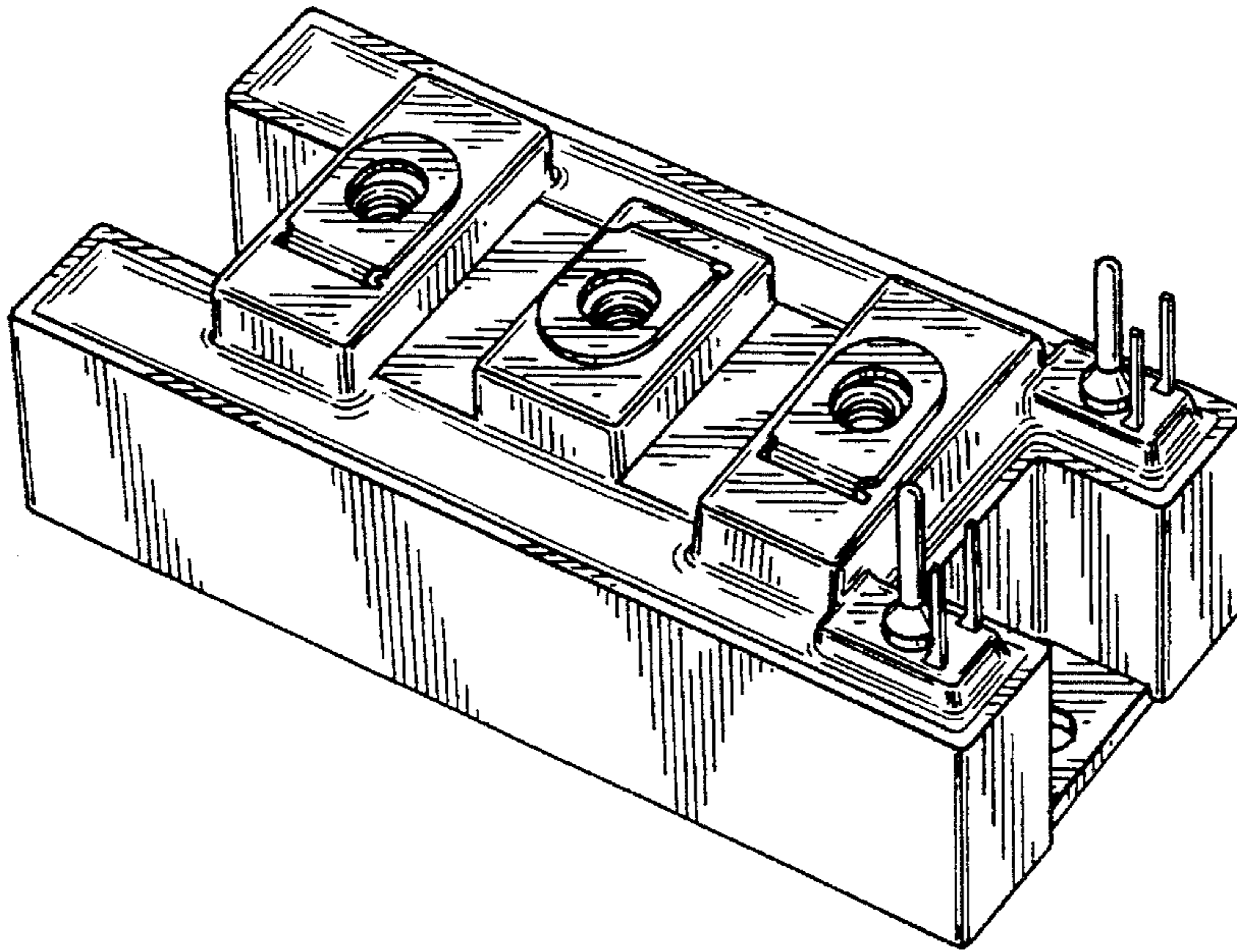


FIG. 2

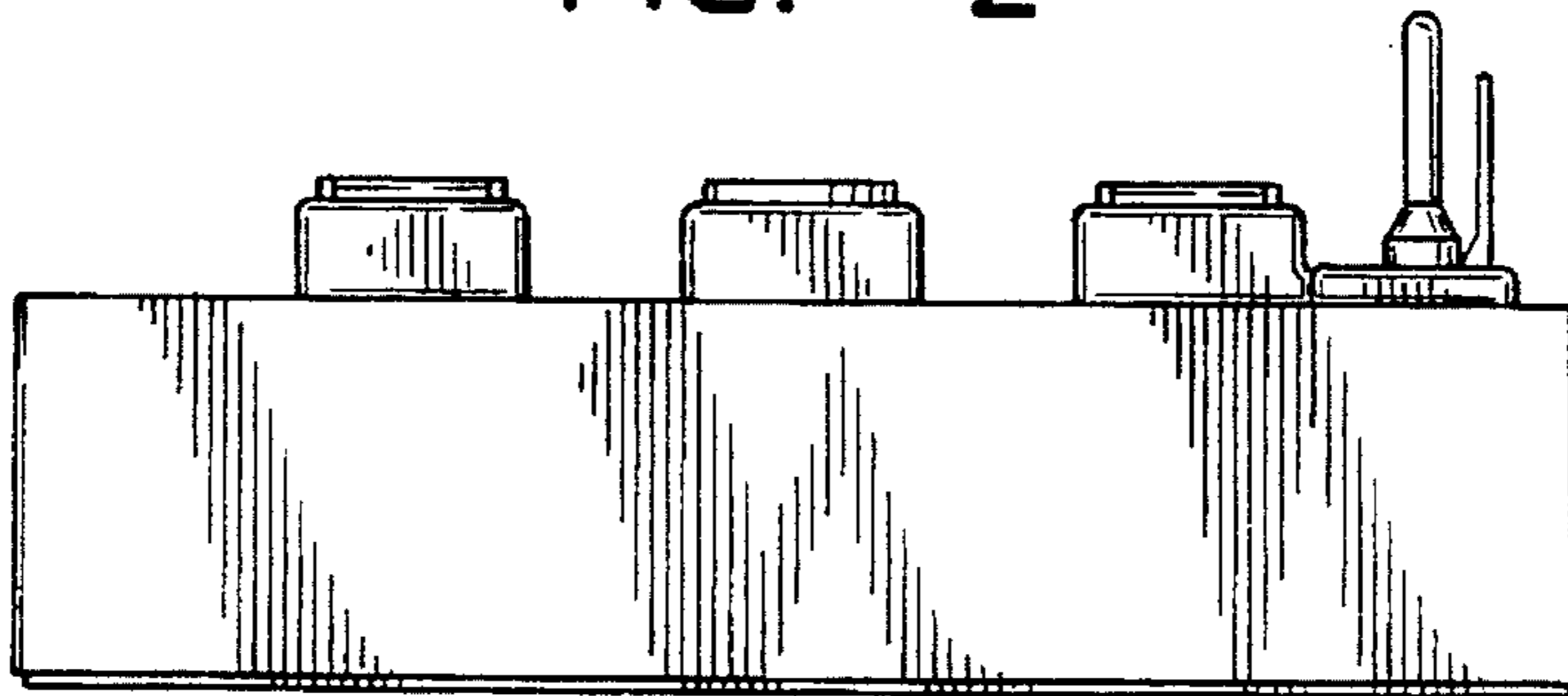


FIG. 3

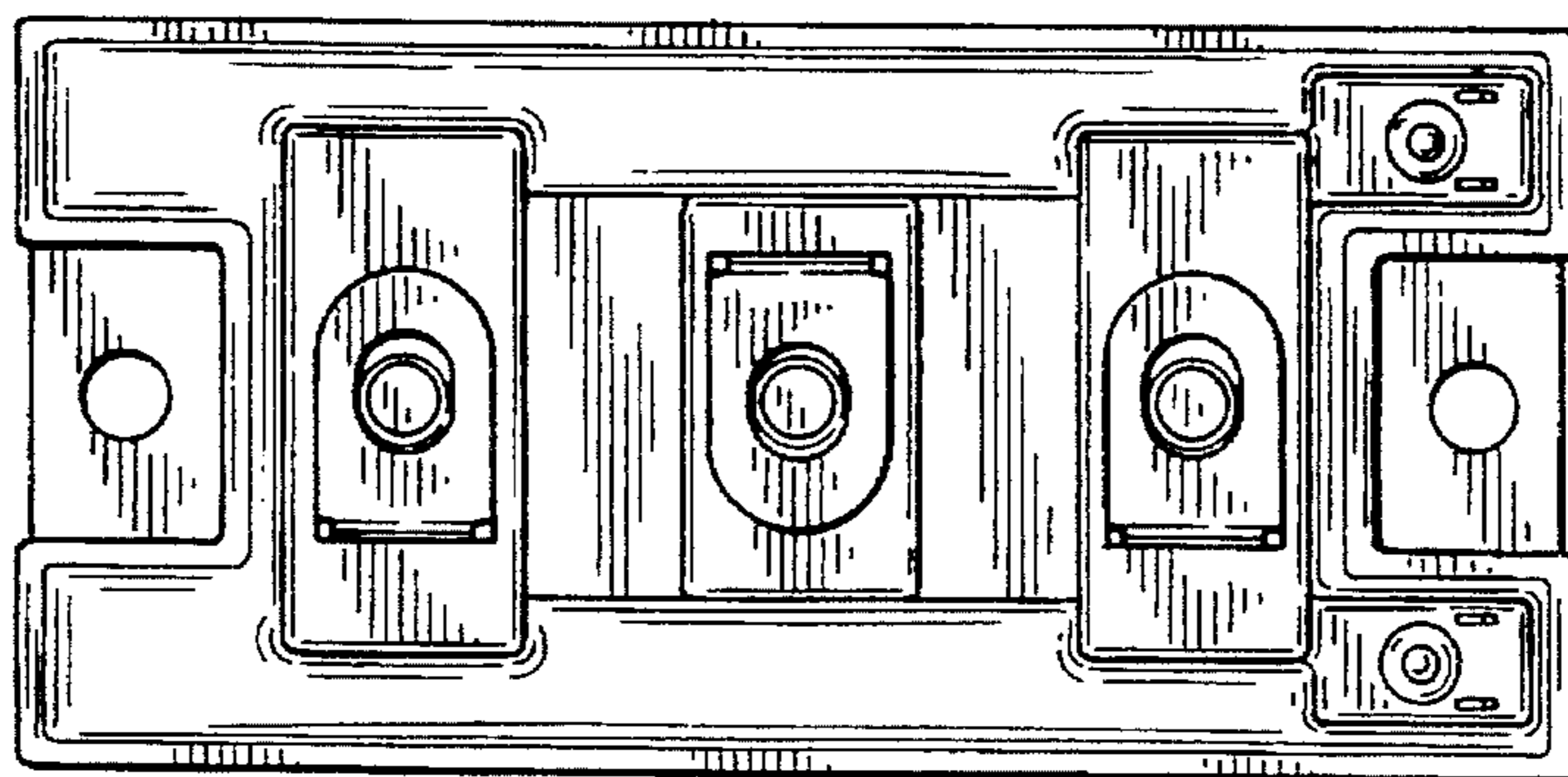


FIG. 4

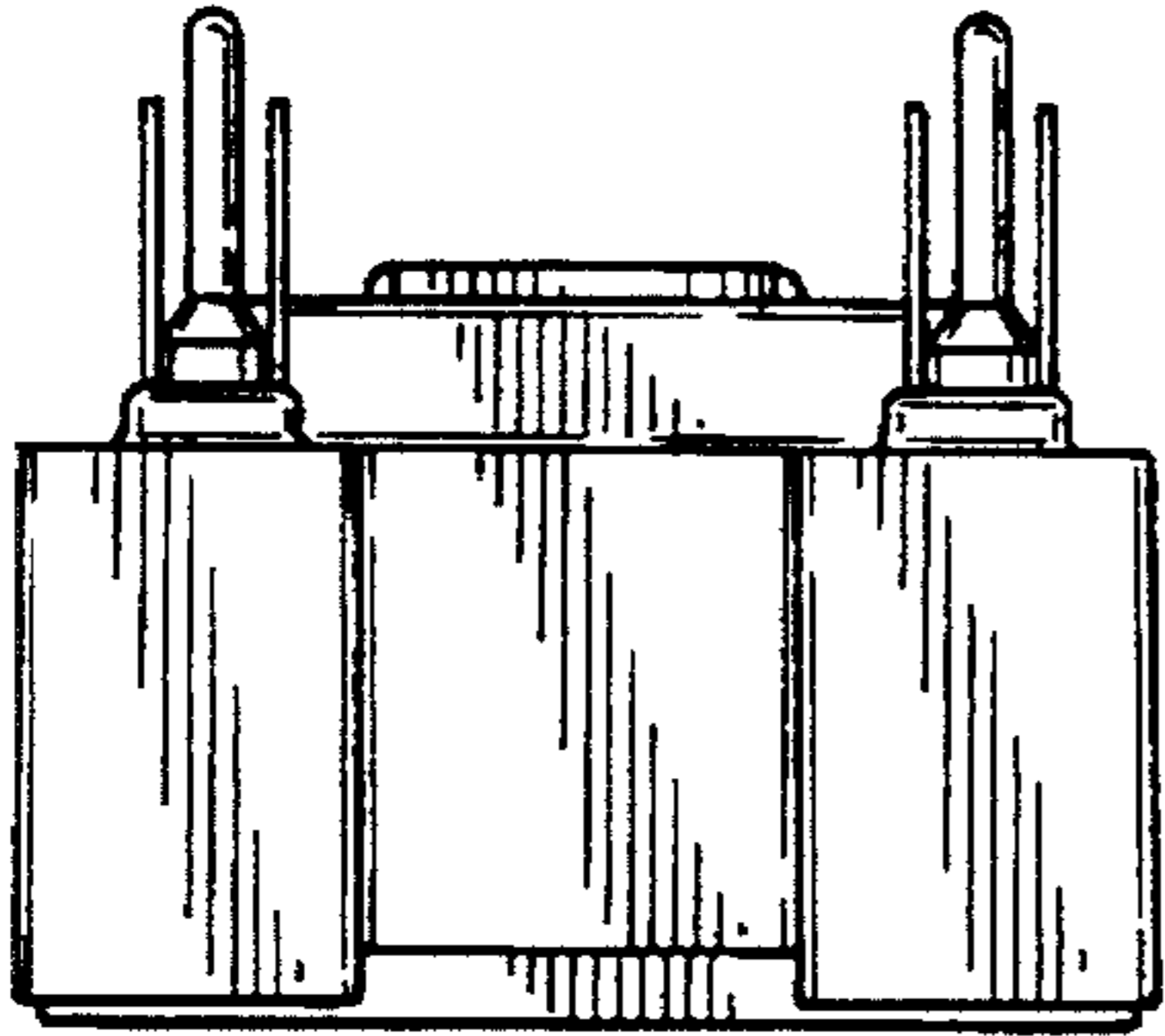


FIG. 5

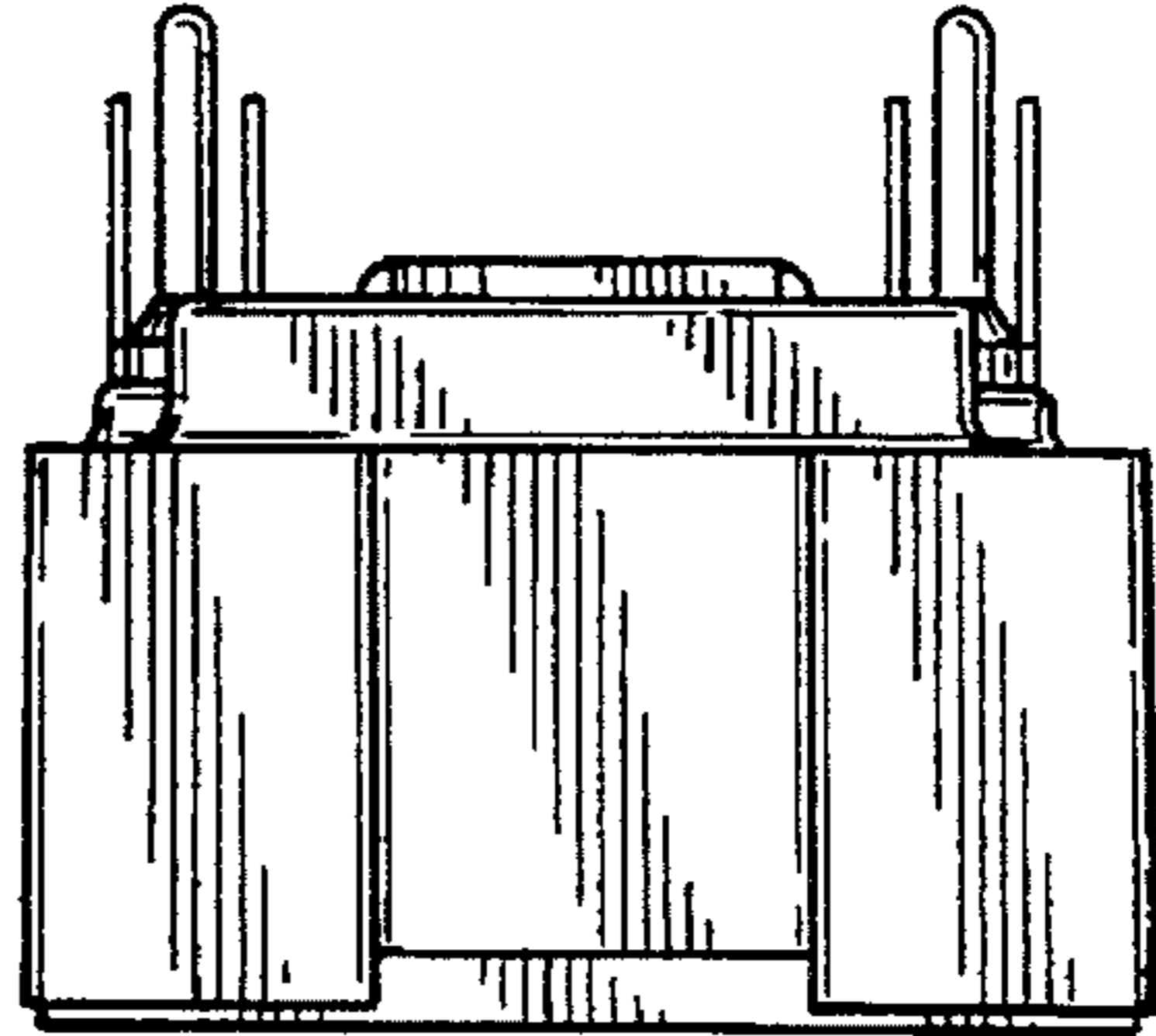


FIG. 6

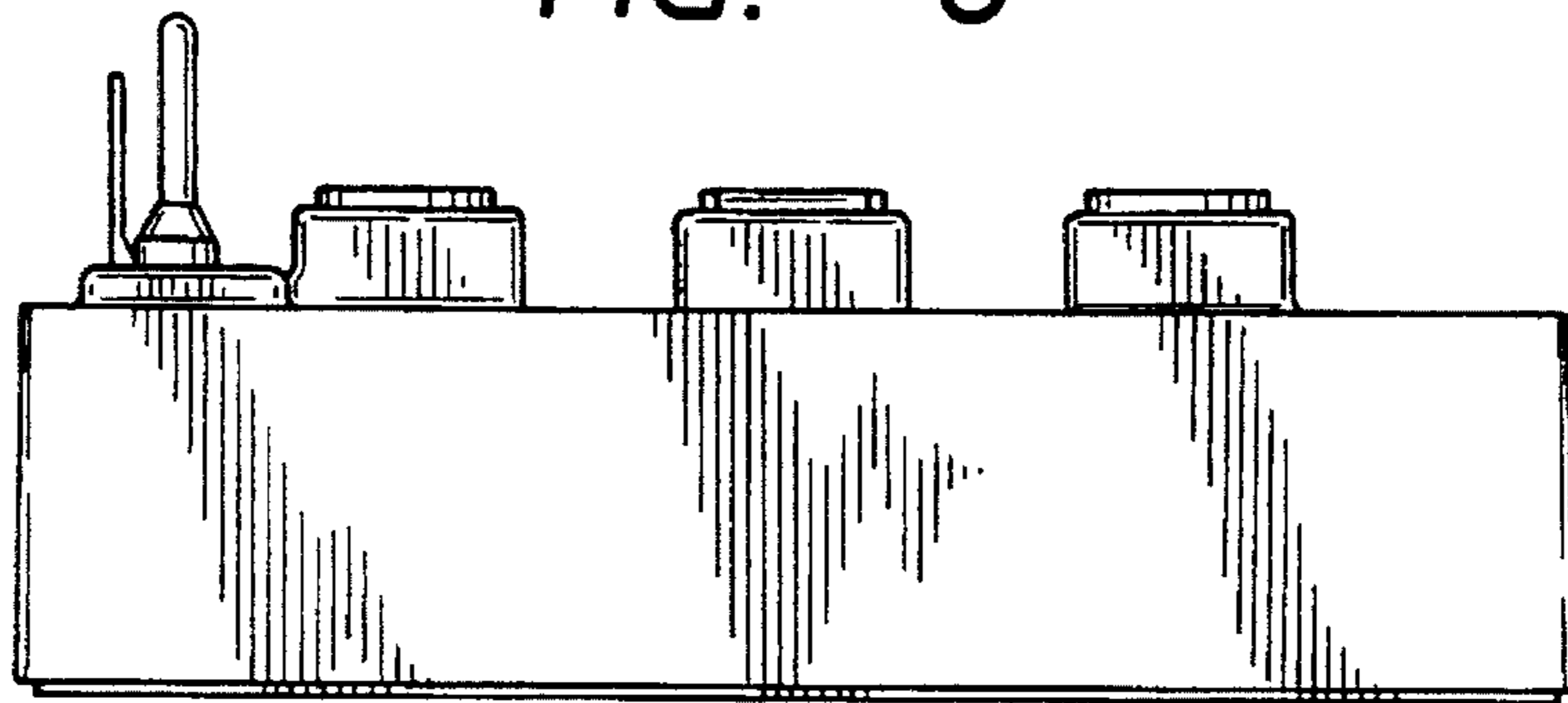


FIG. 7

