



US00D364382S

United States Patent [19]

[11] Patent Number: **Des. 364,382**

Yamamoto

[45] Date of Patent: ****Nov. 21, 1995**

[54] **PROCESS CONTROL PANEL**

[75] Inventor: **Kazuharu Yamamoto**, Yokohama, Japan

[73] Assignee: **Kabushiki Kaisha Toshiba**, Kawasaki, Japan

[**] Term: **14 Years**

[21] Appl. No.: **31,238**

[22] Filed: **Nov. 15, 1994**

[30] **Foreign Application Priority Data**

Jun. 2, 1994 [JP] Japan 6-16120

[52] U.S. Cl. **D13/163**; D6/419; D6/443; D10/75; D14/104

[58] Field of Search D6/419, 440, 446; D10/46, 75; D13/162, 163, 164; D14/104; D20/10; D24/185, 186; 122/13.1, 494; 126/361, 373, 165, 136; 206/305, 320; 220/23.4, 241, 533, 444, 902; 307/116, 119; 324/686; 340/945, 825.22; 341/22, 33; 359/146, 148; 362/24, 85; 392/449, 451

[56] **References Cited**

U.S. PATENT DOCUMENTS

D. 272,903 3/1984 Friedrich et al. D13/163

D. 277,856 3/1985 Lewellen D13/163 X
D. 338,272 8/1993 Cunagin et al. D24/186 X
D. 346,586 5/1994 Miyake et al. D13/163
D. 351,590 10/1994 Whaley et al. D13/163
D. 355,717 2/1995 Murakami et al. D14/104 X

Primary Examiner—Antoine D. Davis
Attorney, Agent, or Firm—Oblon, Spivak, McClelland, Maier, & Neustadt

[57] **CLAIM**

The ornamental design for a process control panel, as shown.

DESCRIPTION

FIG. 1 is a front, top and right side perspective view of a process control panel, showing my new design;
FIG. 2 is a front elevational view thereof;
FIG. 3 is a top plan view thereof;
FIG. 4 is a bottom plan view thereof;
FIG. 5 is a rear elevational view thereof;
FIG. 6 is a right side elevational view thereof; and,
FIG. 7 is a front, top and right side perspective view thereof with a cover opened and a controller removed.

1 Claim, 2 Drawing Sheets

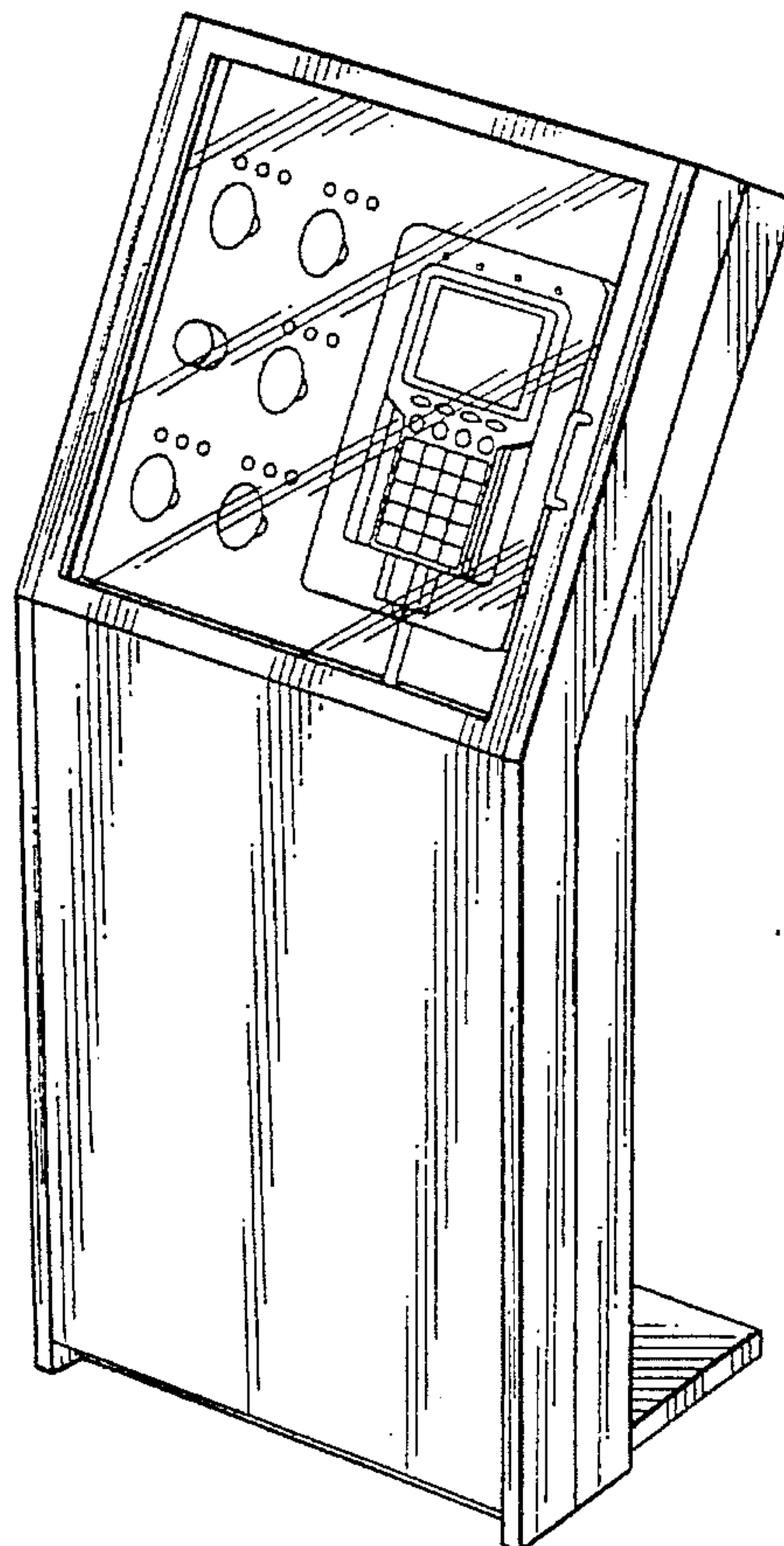


FIG. 1

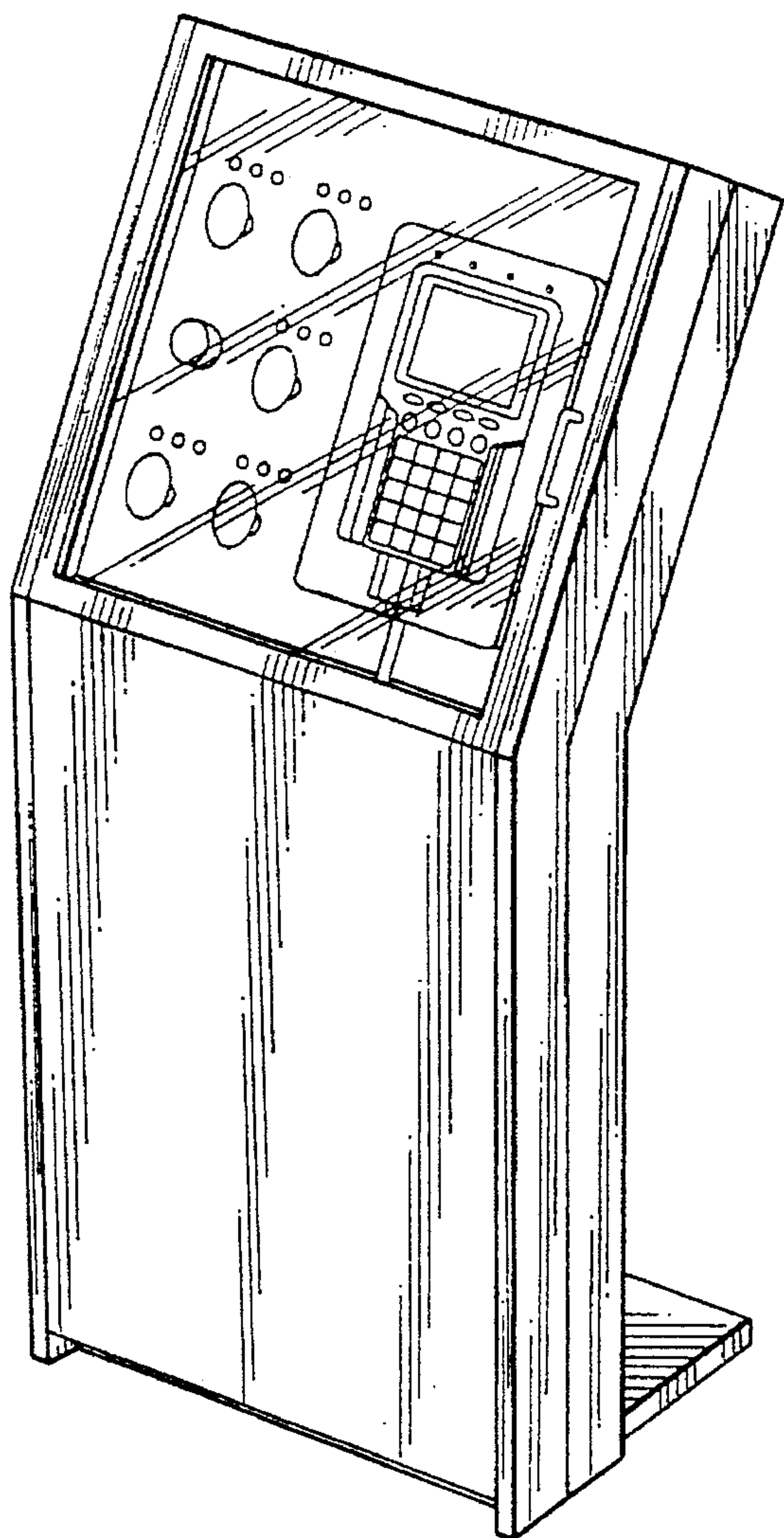


FIG. 2

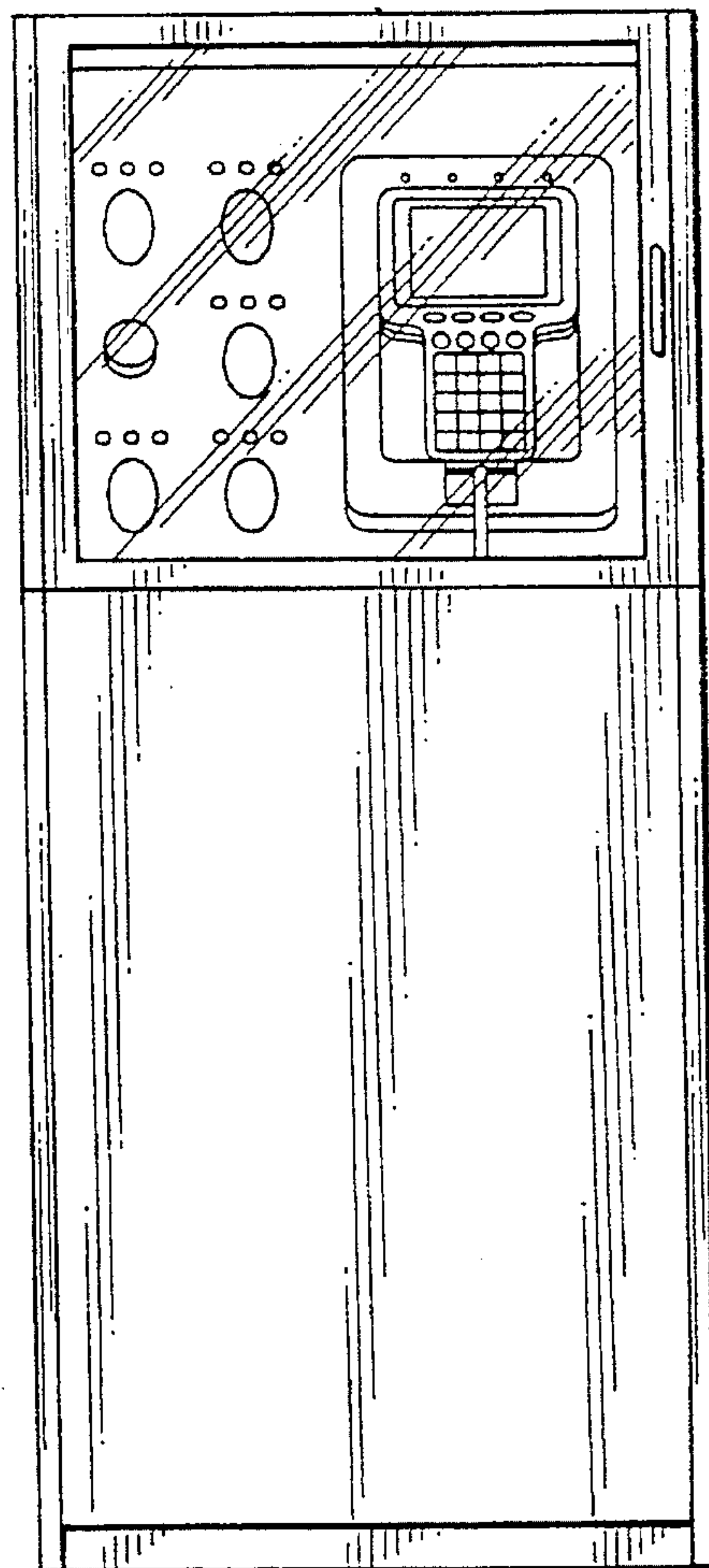


FIG. 3

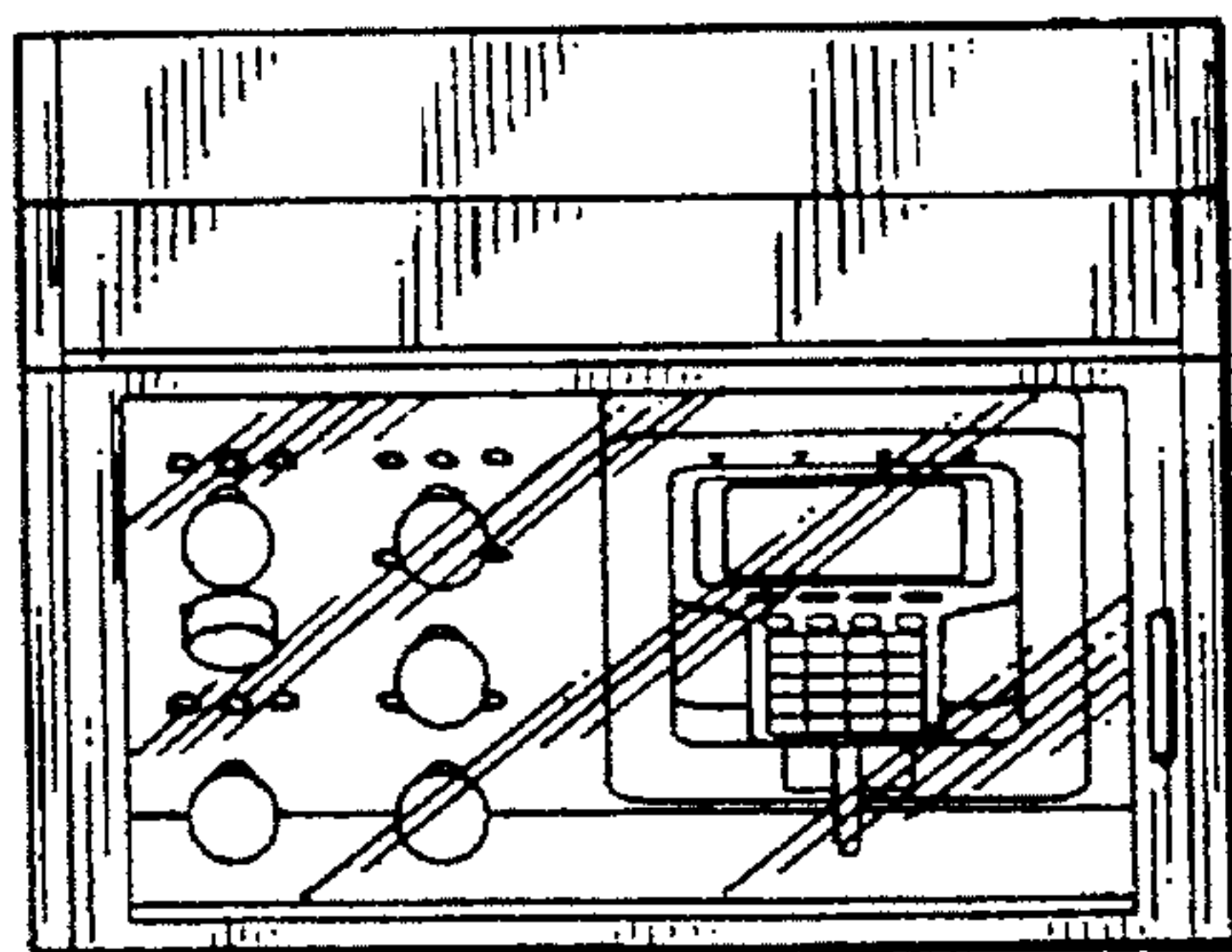
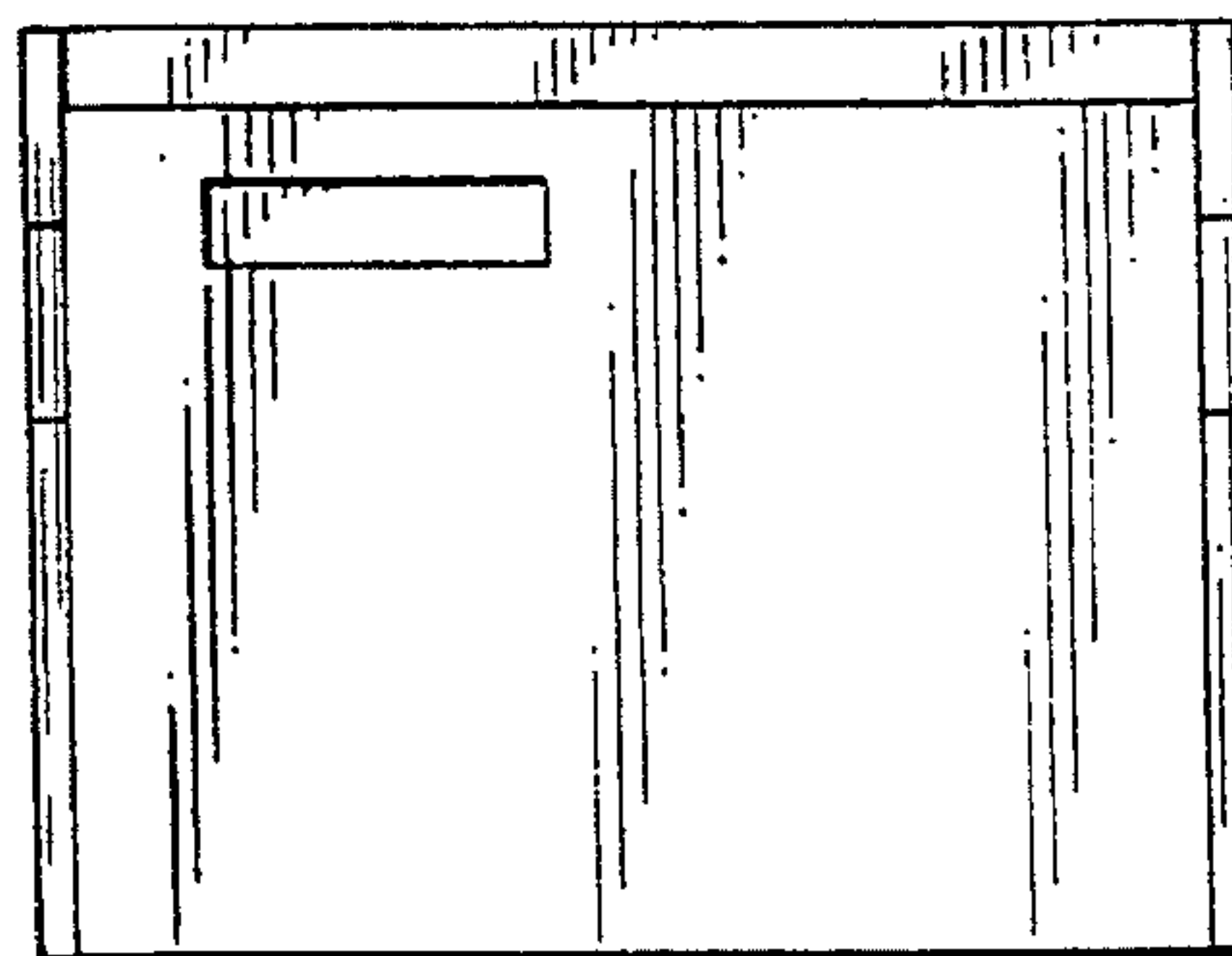


FIG. 4



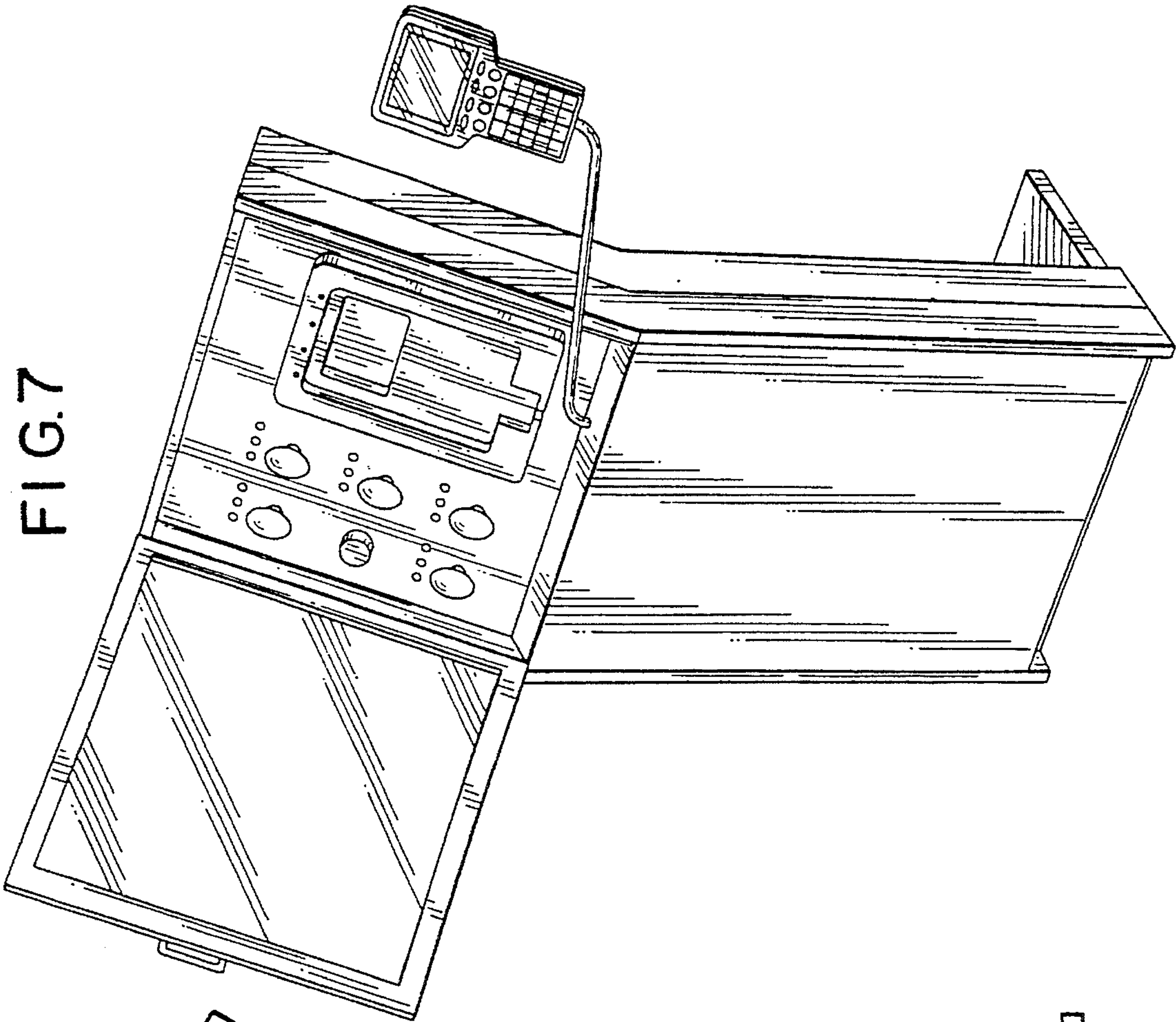


FIG. 7

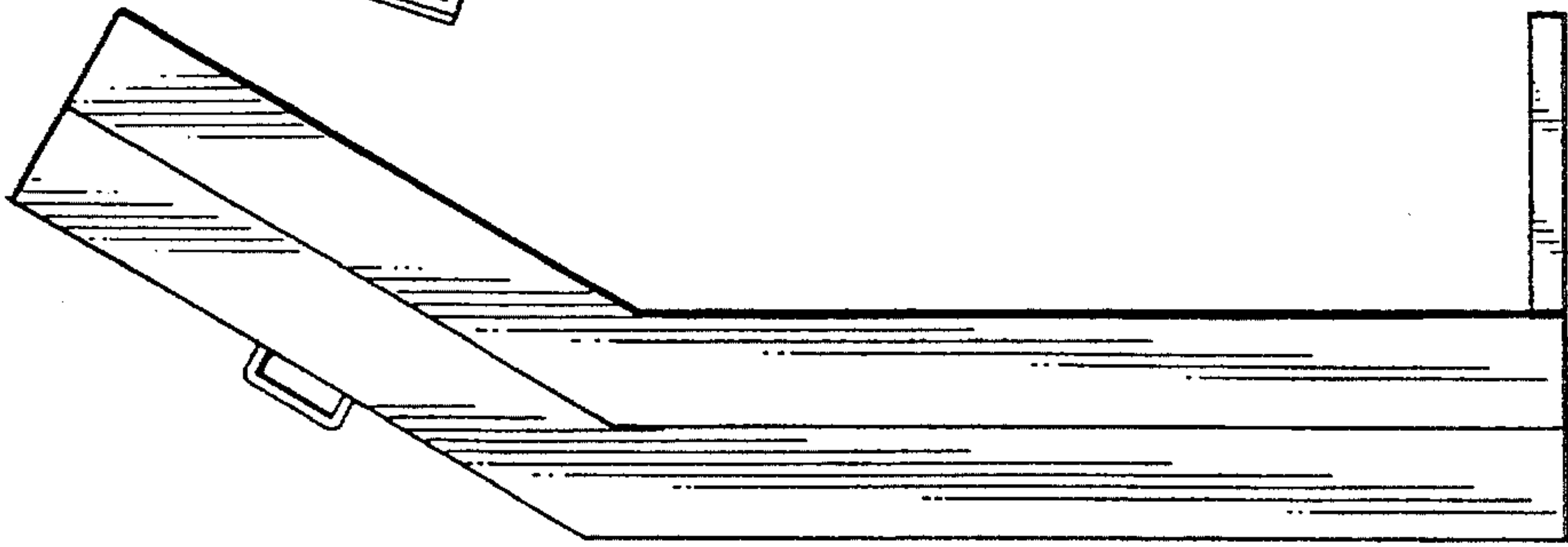


FIG. 6

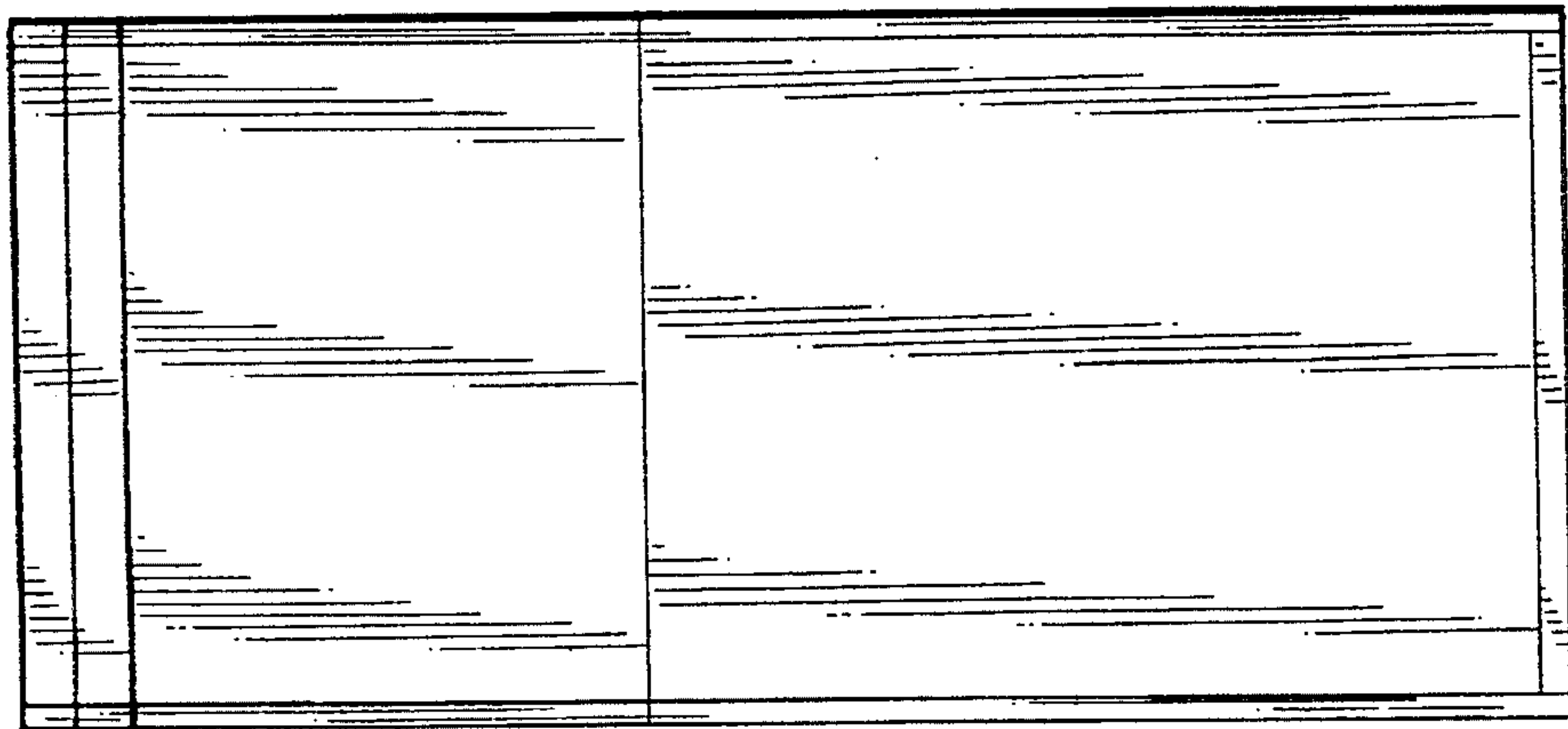


FIG. 5