



US00D364377S

# United States Patent [19]

[11] Patent Number: **Des. 364,377**

Johnson et al.

[45] Date of Patent: **\*\*Nov. 21, 1995**

[54] **PERIPHERAL CONNECTOR**

[75] Inventors: **Greg Johnson**, New Brighton; **David A. Weinzierl**, Mounds View, both of Minn.

[73] Assignee: **Multi-Tech Systems, Inc.**, Mounds View, Minn.

[\*\*] Term: **14 Years**

[21] Appl. No.: **30,278**

[22] Filed: **Oct. 13, 1994**

[52] U.S. Cl. .... **D13/146**

[58] **Field of Search** ..... D13/146, 147; D14/256; 439/59, 80, 131, 260, 276, 325, 327, 329, 344, 620, 638, 676; 174/52.1

[56] **References Cited**

**U.S. PATENT DOCUMENTS**

D. 305,225	12/1989	Komatsu	.....	D13/147
4,790,761	12/1988	Sonabe	.....	439/59
5,391,094	2/1995	Kakinoki et al.	.....	439/638

*Primary Examiner*—Joel Sincavage  
*Attorney, Agent, or Firm*—Schwegman, Lundberg & Woess-

ner

[57] **CLAIM**

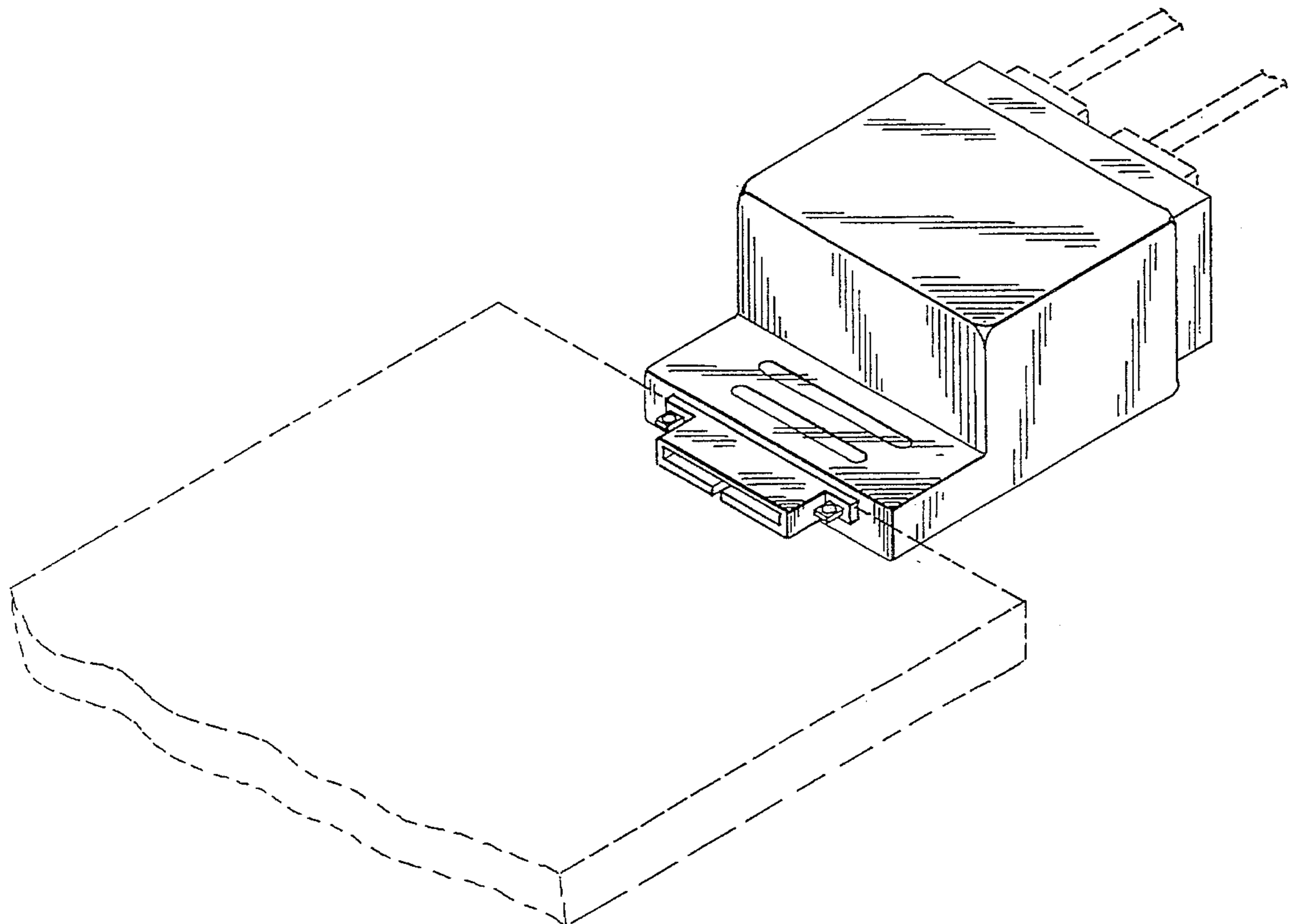
The ornamental design for a peripheral connector, as shown and described.

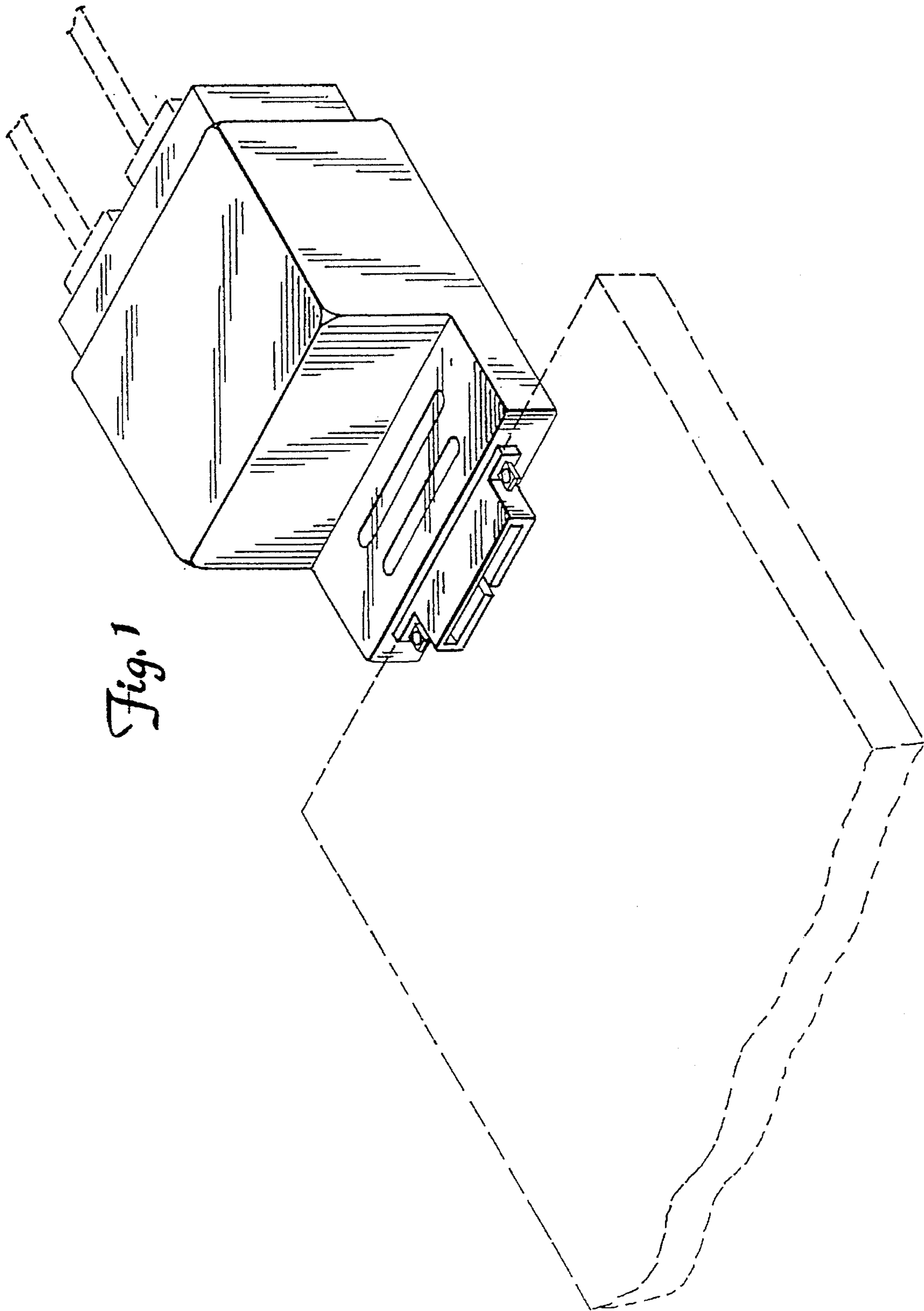
**DESCRIPTION**

FIG. 1 is a perspective view of a peripheral connector showing a peripheral device and telephone line in phantom; FIG. 2 is a front plan view of the peripheral connector of FIG. 1; FIG. 3 is a rear plan view of the peripheral connector of FIG. 1; FIG. 4 is a left side plan view of the peripheral connector of FIG. 1; FIG. 5 is a right plan view of the peripheral connector of FIG. 1; FIG. 6 is a top plan view of the peripheral connector of FIG. 1; and, FIG. 7 is a bottom plan view of the peripheral connector of FIG. 1.

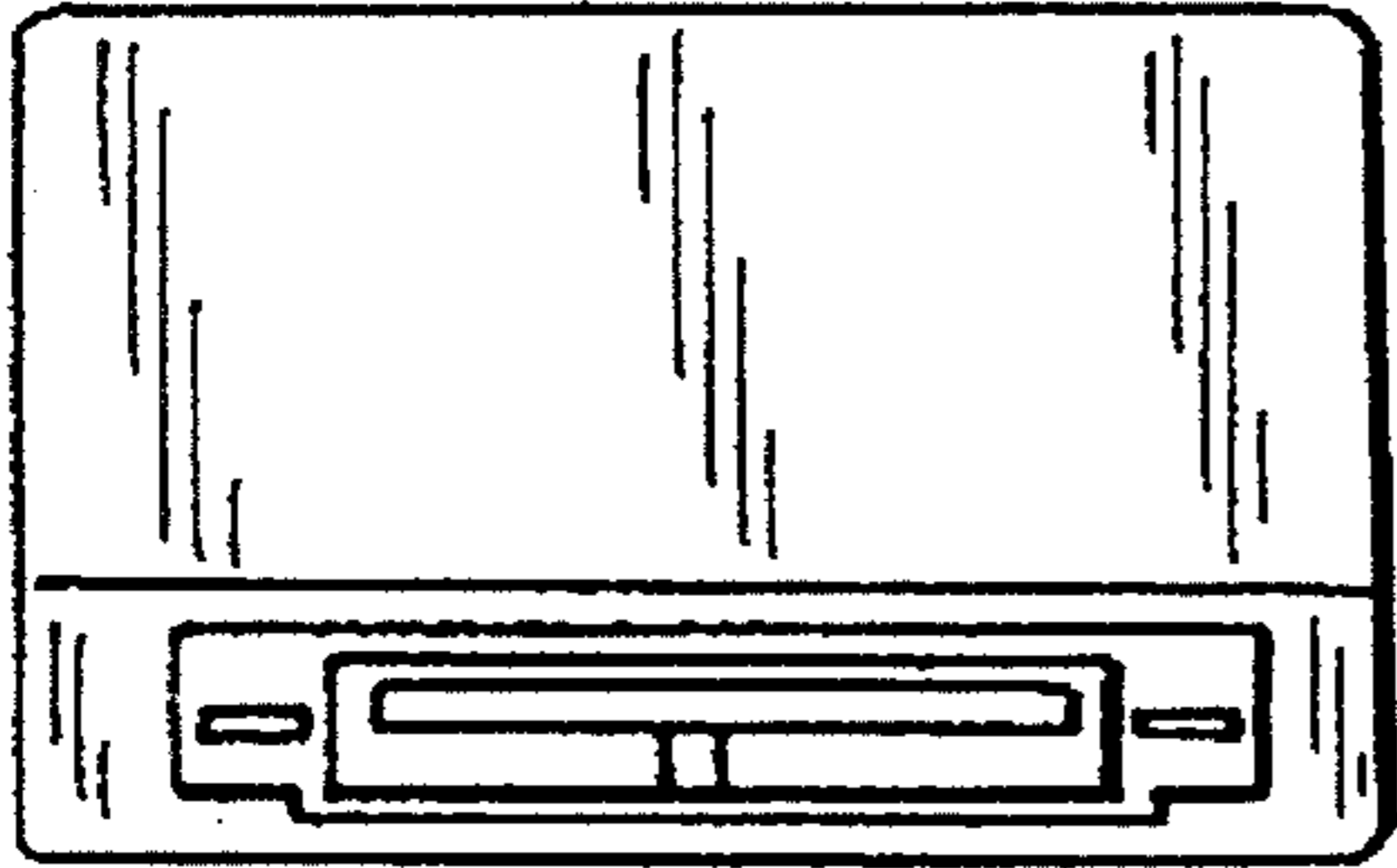
The broken line showing in FIG. 1 is included for the purpose of illustrating environmental structure only and forms no part of the claimed design.

**1 Claim, 3 Drawing Sheets**

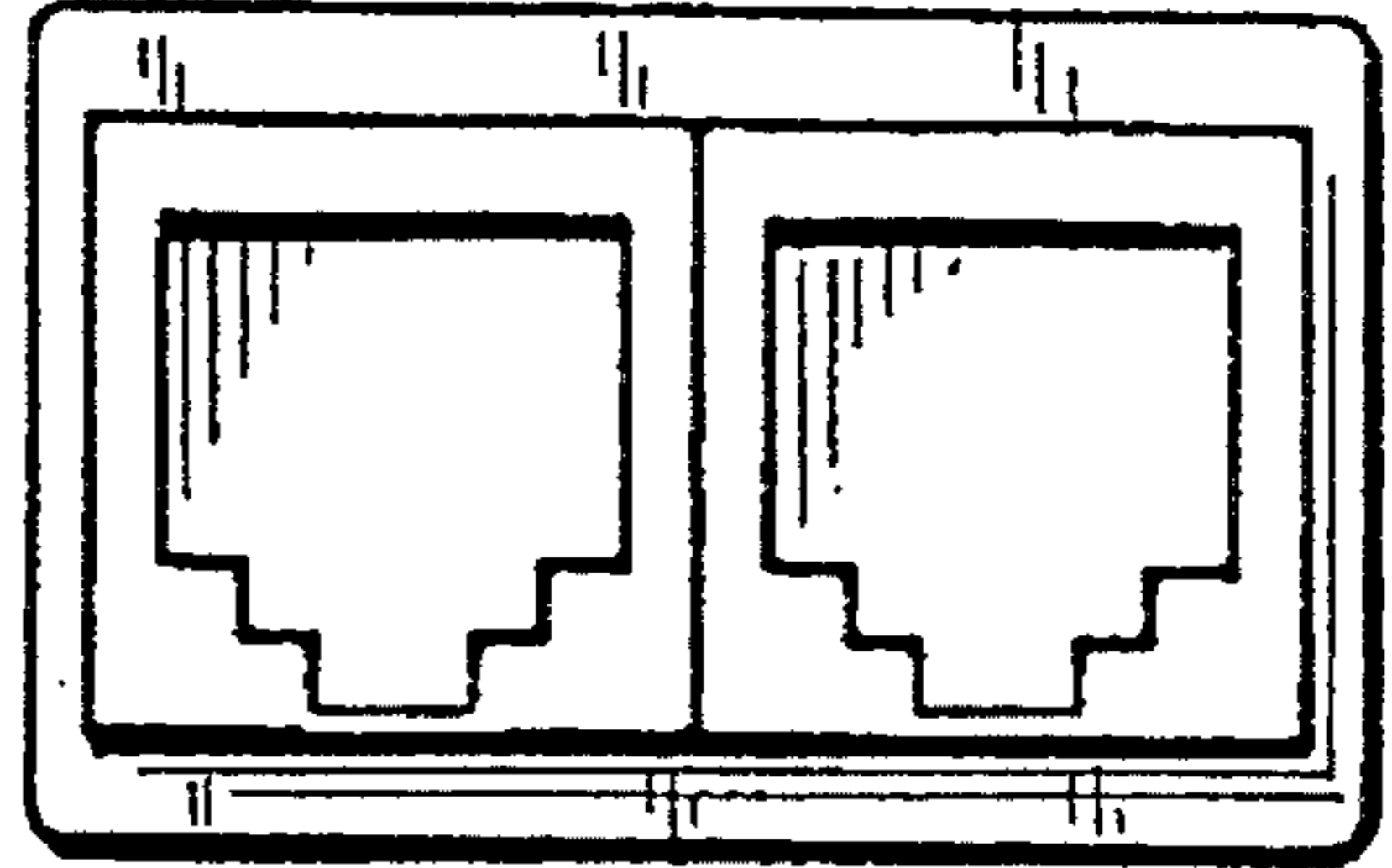




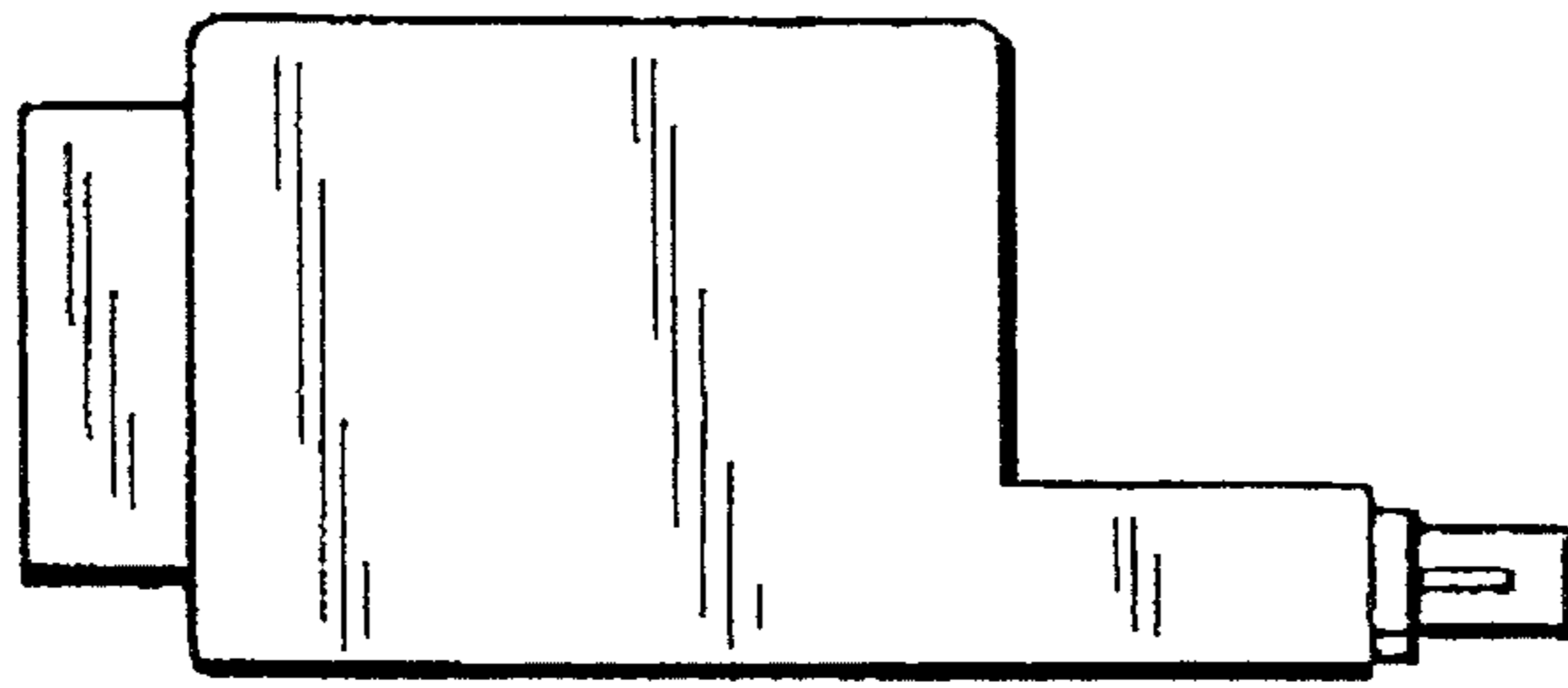
*Fig. 1*



*Fig. 2*

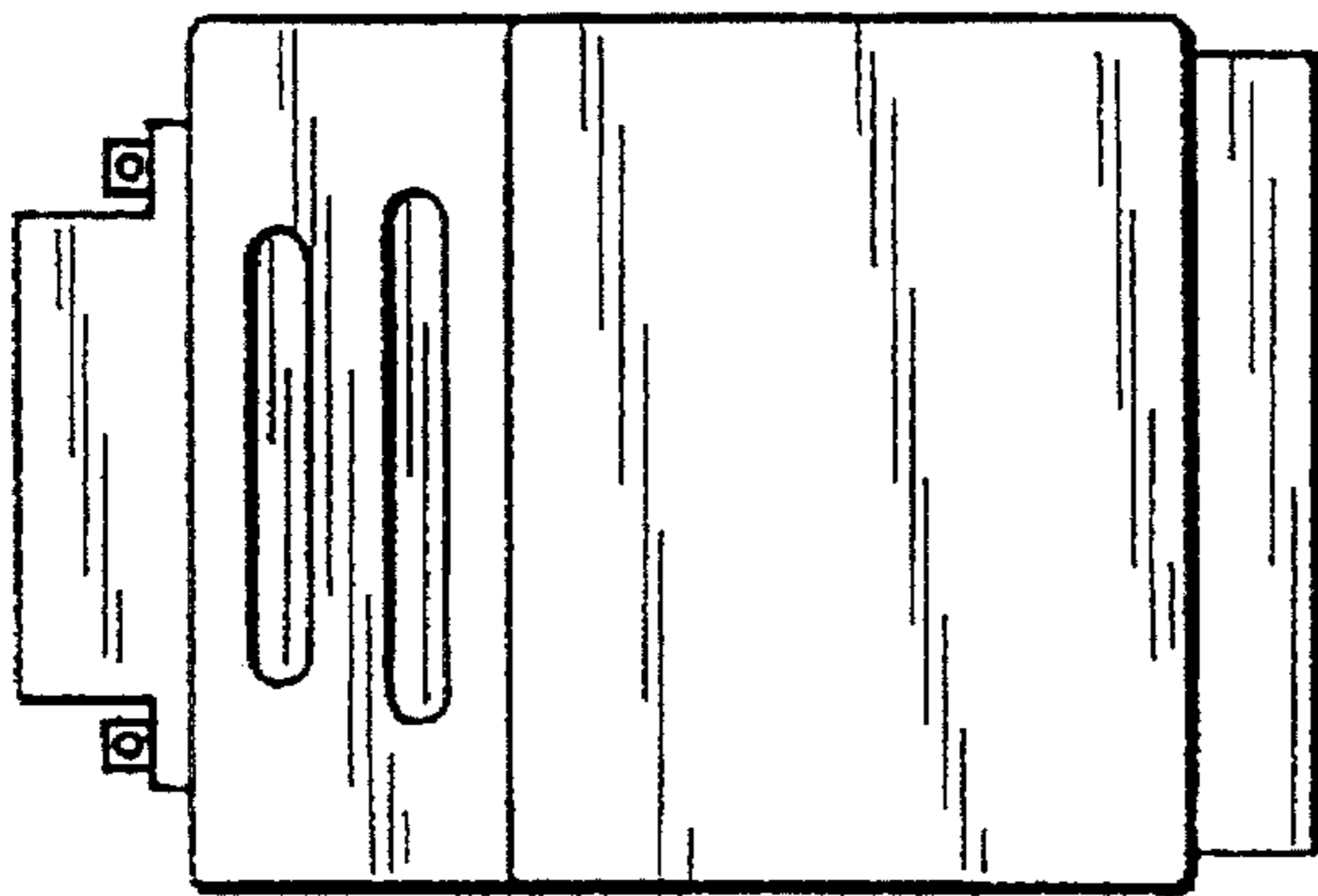
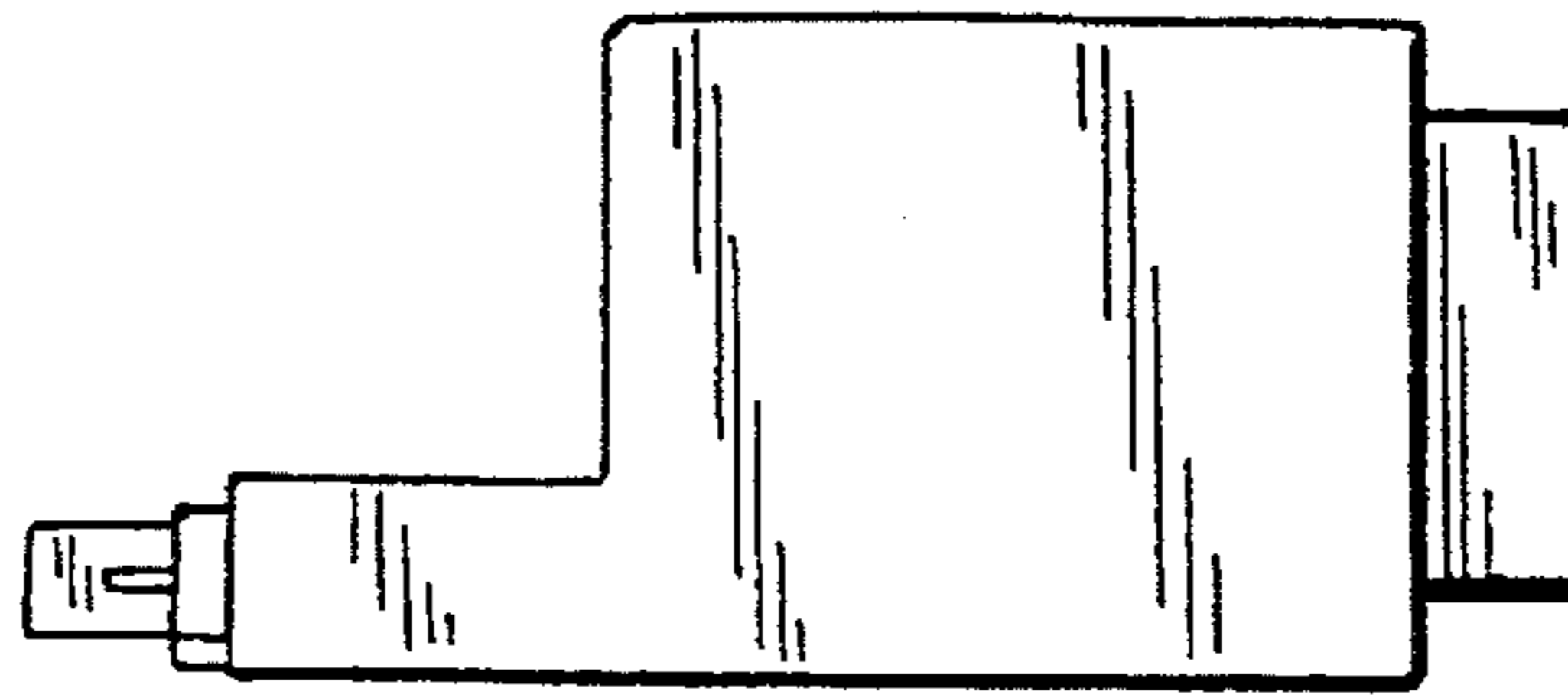


*Fig. 3*



*Fig. 4*

*Fig. 5*



*Fig. 6*

*Fig. 7*

