



US00D364376S

United States Patent [19]
Lin

[11] **Patent Number: Des. 364,376**

[45] **Date of Patent: **Nov. 21, 1995**

[54] **STARTER FOR A LAMP**

[76] Inventor: **Mei-Mo Lin**, No. 34, Lane 114,
Yuantung S. Rd., Tantz Hsiang,
Taichung Hsien, Taiwan

[**] Term: **14 Years**

[21] Appl. No.: **28,832**

[22] Filed: **Sep. 23, 1994**

[52] U.S. Cl. **D13/117**

[58] Field of Search D13/110, 117;
D26/3; 315/290, DIG. 5, DIG. 7

[56] **References Cited**

U.S. PATENT DOCUMENTS

- D. 273,809 5/1984 Chapman et al. D26/3
- D. 273,999 5/1984 Chapman et al. D26/3
- D. 290,524 6/1987 Kusmer D13/110

Primary Examiner—Joel Sincavage

Attorney, Agent, or Firm—Morton J. Rosenberg; David I. Klein

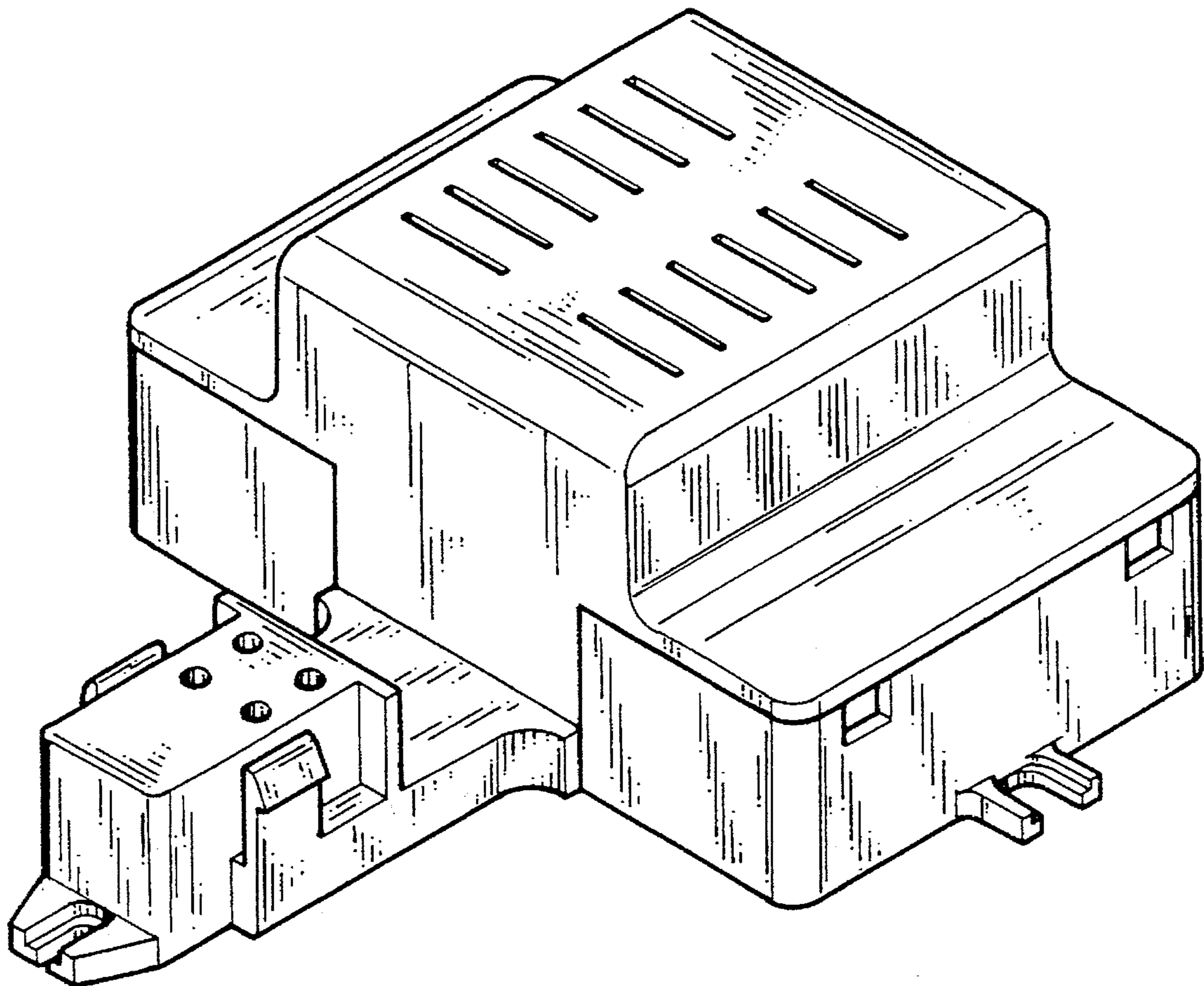
[57] **CLAIM**

The ornamental design for a starter for a lamp, as shown and described.

DESCRIPTION

FIG. 1 is a front-right-top perspective view of a starter for a lamp showing my new design;
 FIG. 2 is a front elevational view thereof;
 FIG. 3 is a rear elevational view thereof;
 FIG. 4 is a left elevational view thereof, the opposite side being a mirror image;
 FIG. 5 is a top plane view thereof;
 FIG. 6 is a bottom plane view thereof; and,
 FIG. 7 is a front-left-bottom perspective view of an embodiment of the present design, wherein the lamp and the casing are shown in broken lines for illustrative purposes only.

1 Claim, 5 Drawing Sheets



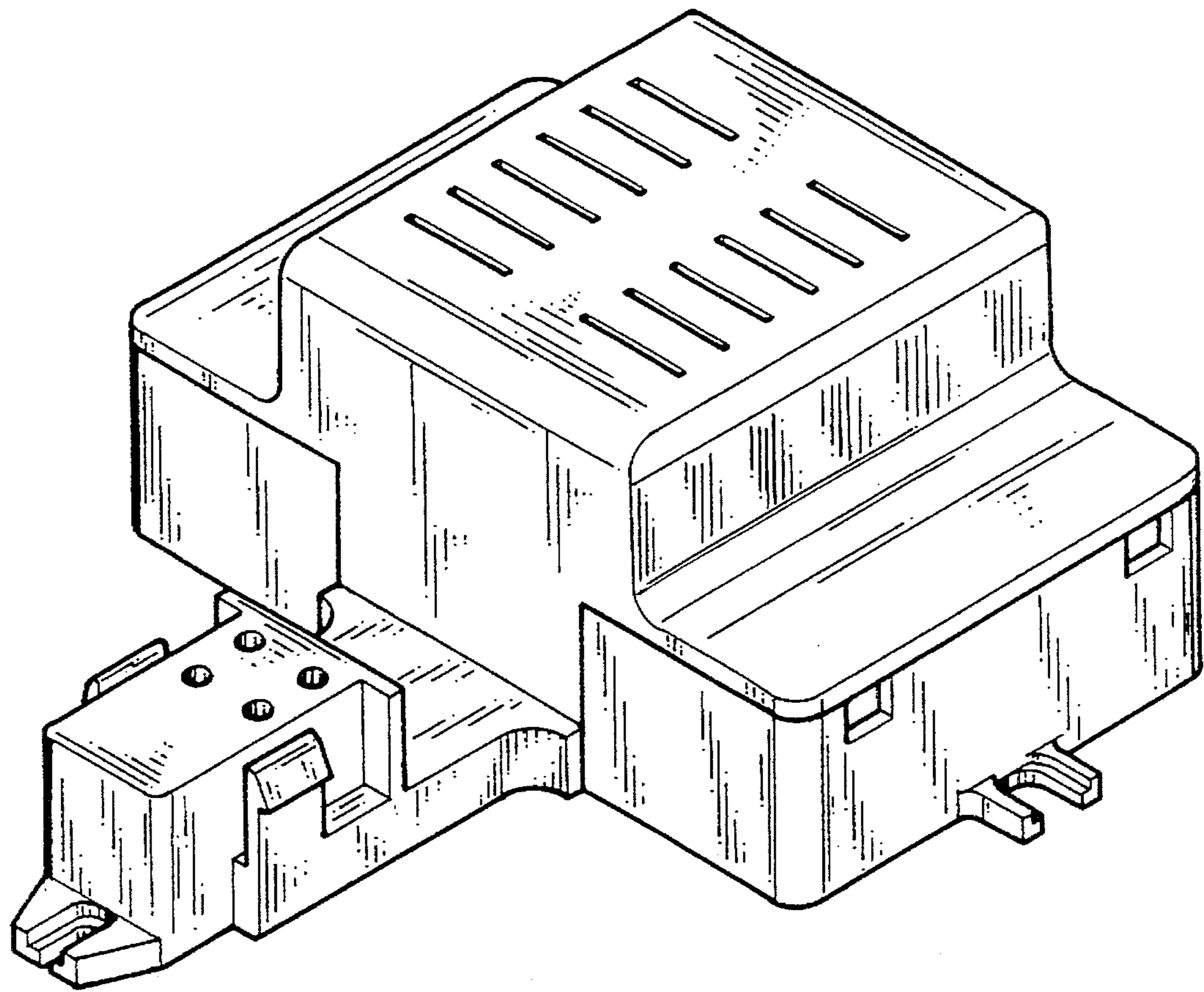


FIG. 1

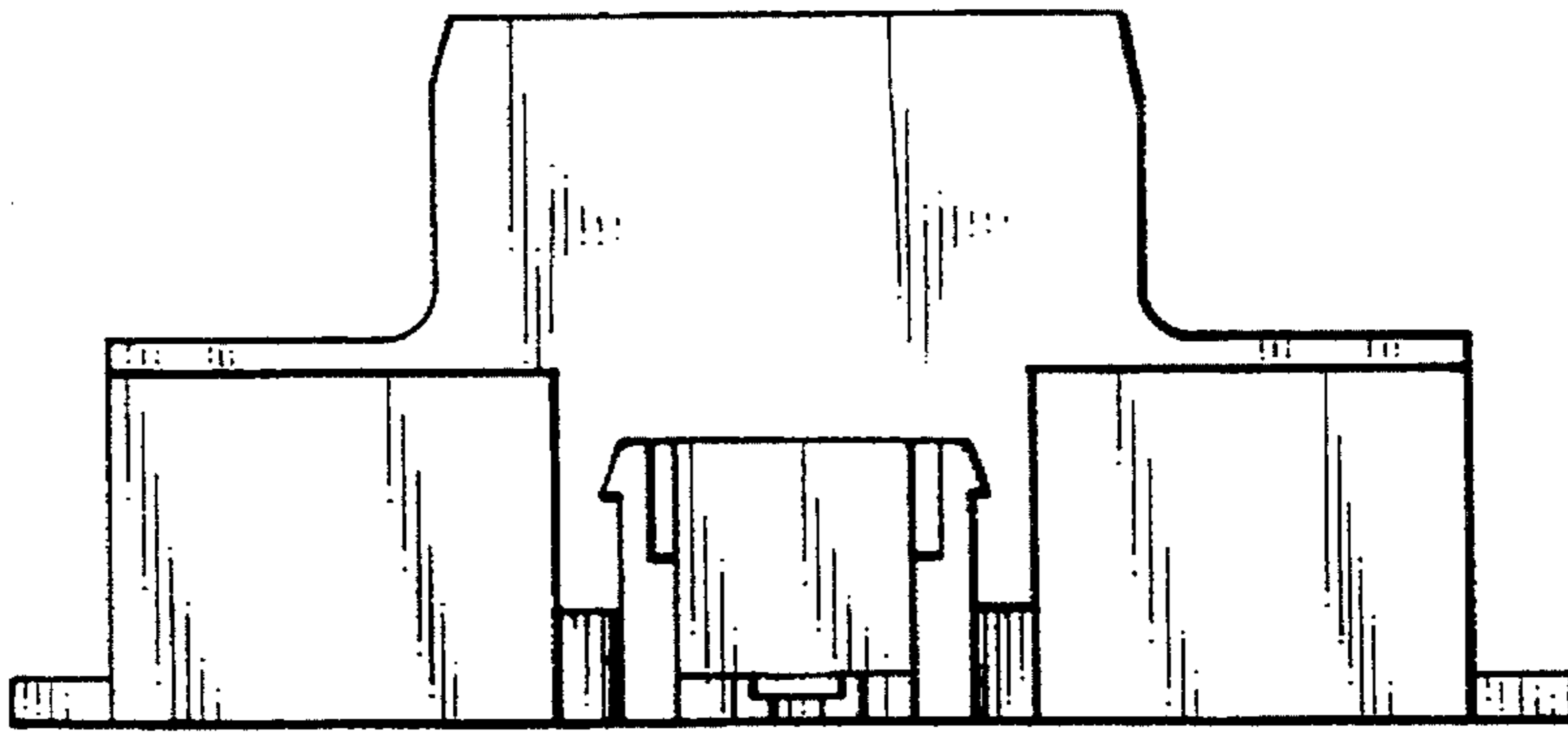


FIG. 2

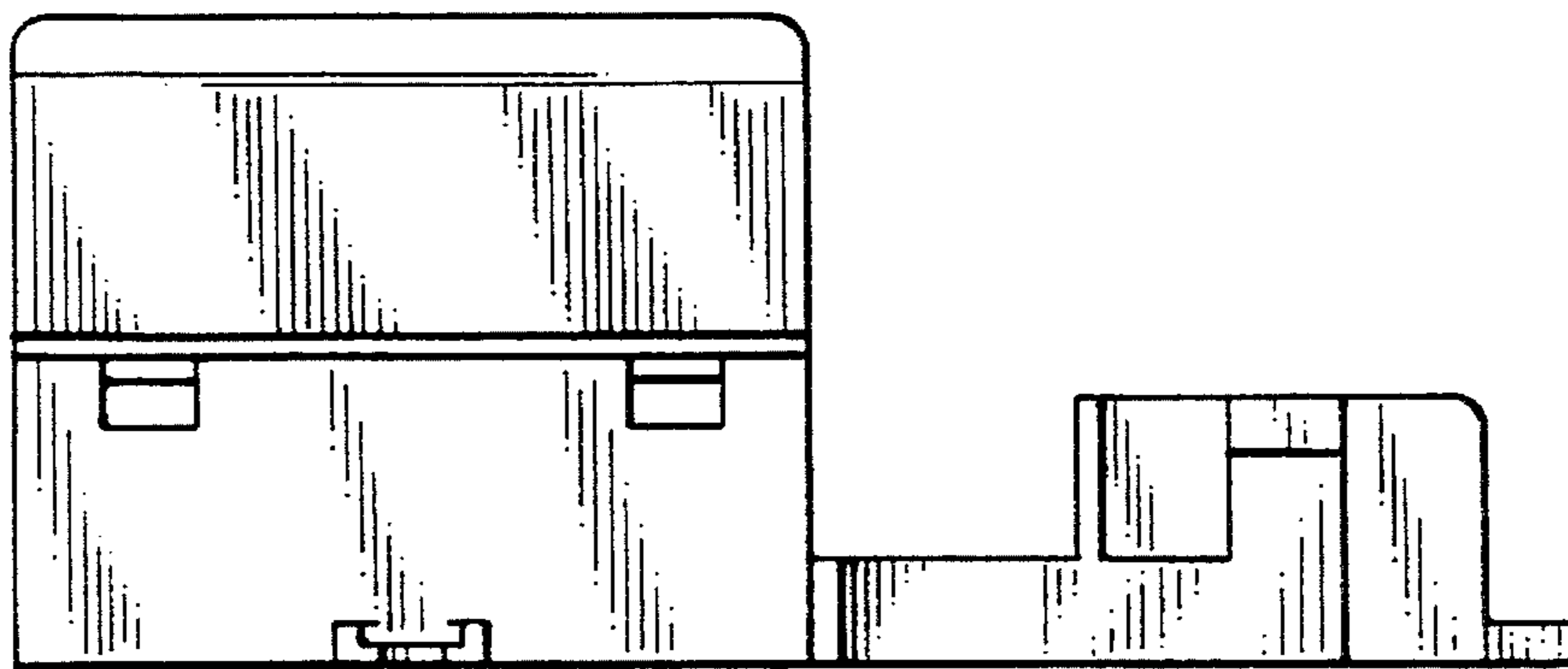


FIG. 4

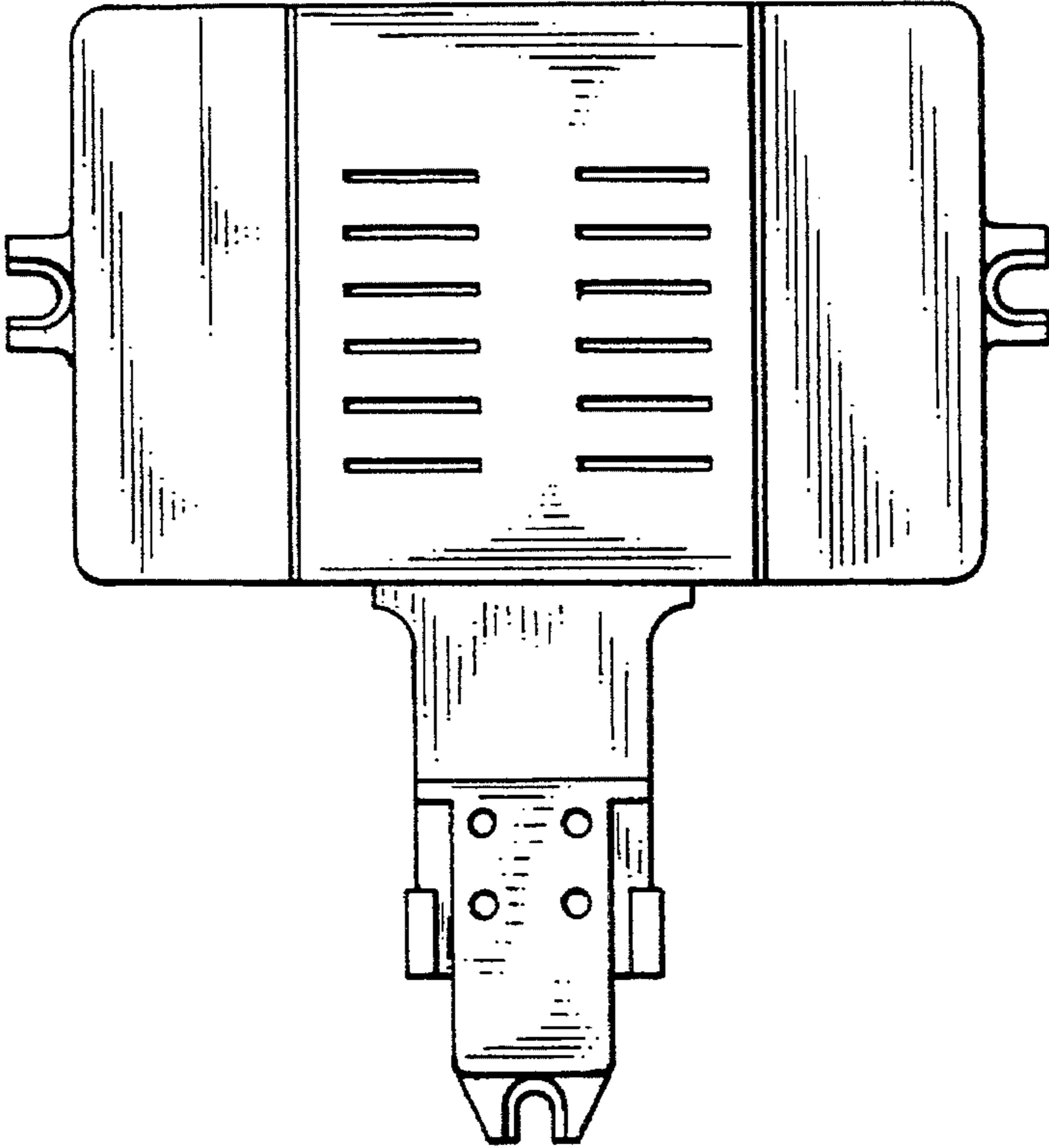


FIG. 5

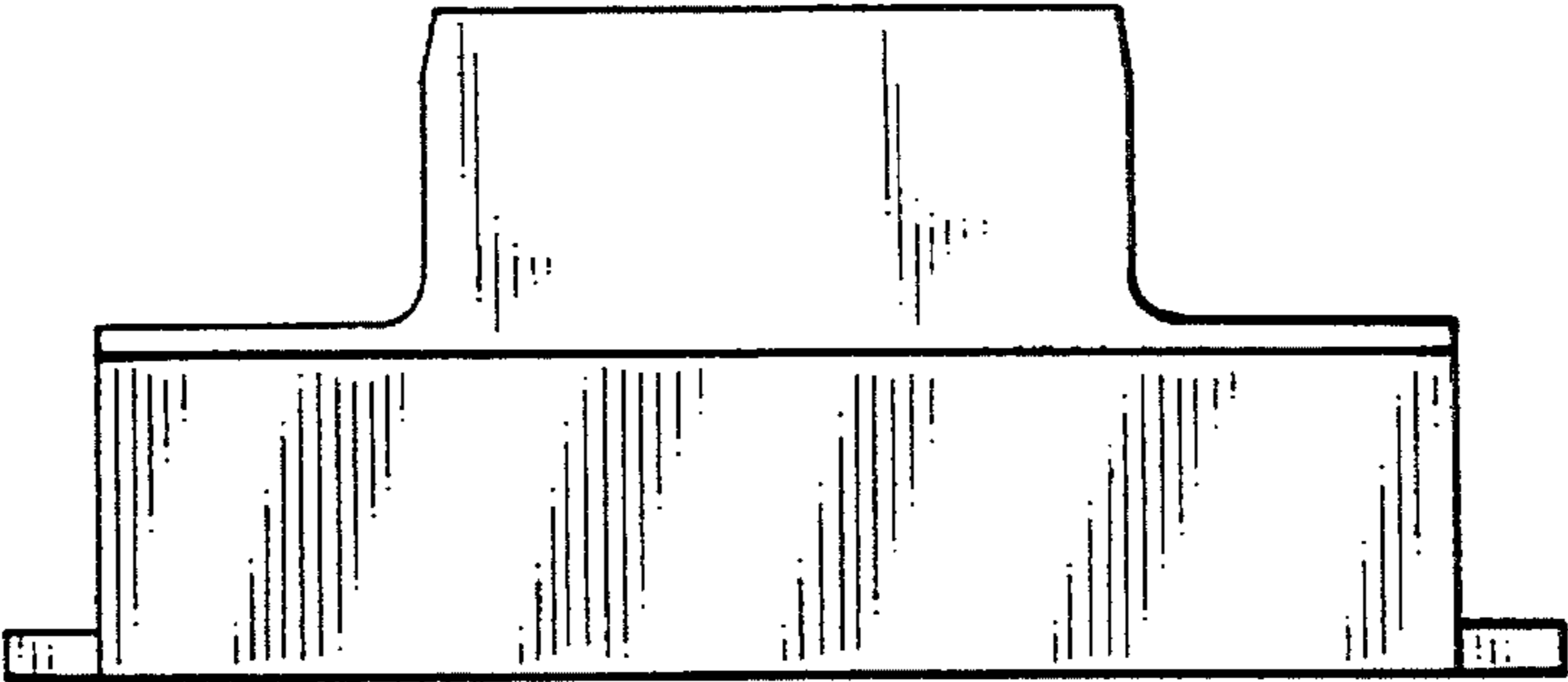


FIG. 3

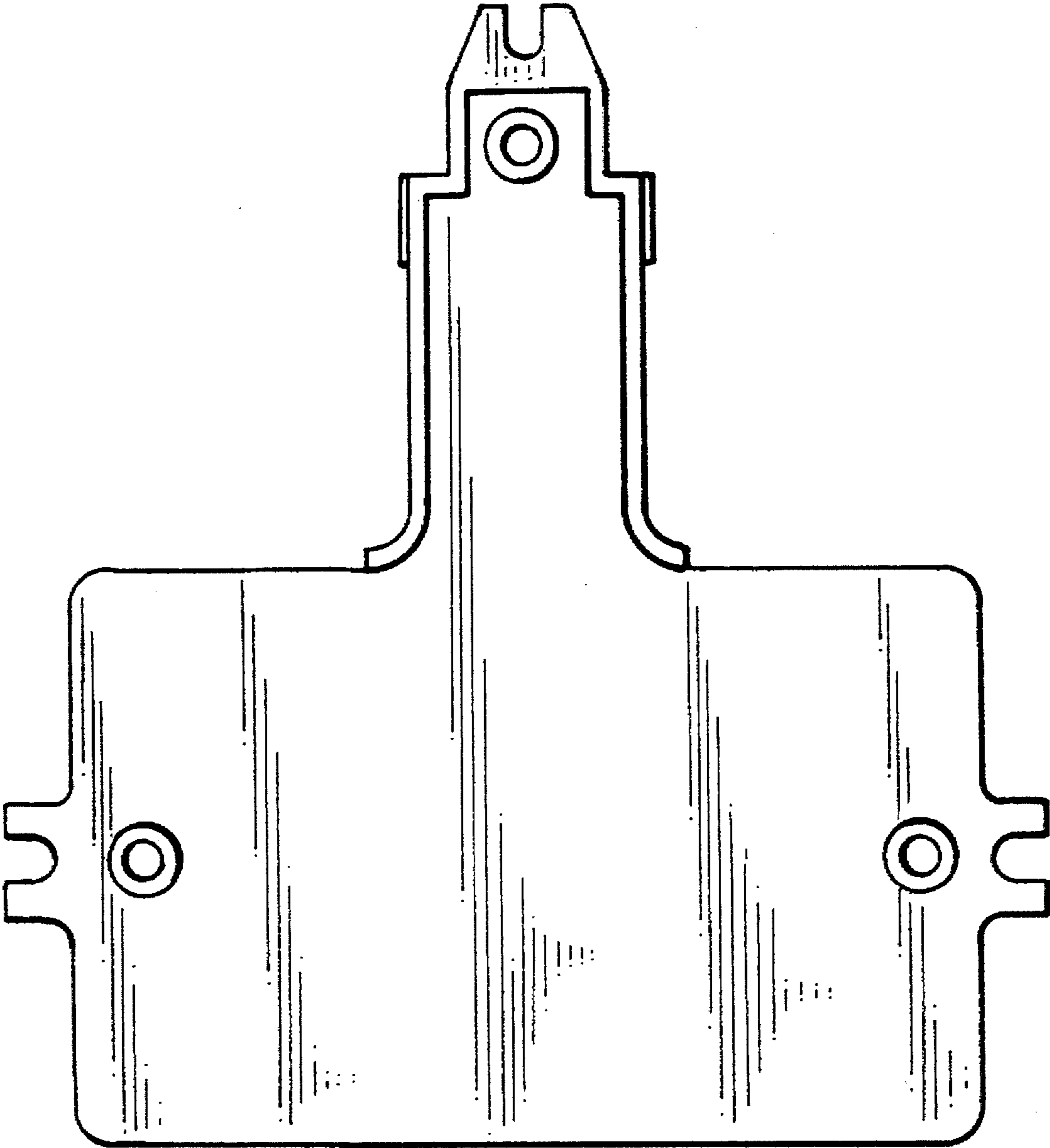


FIG. 6

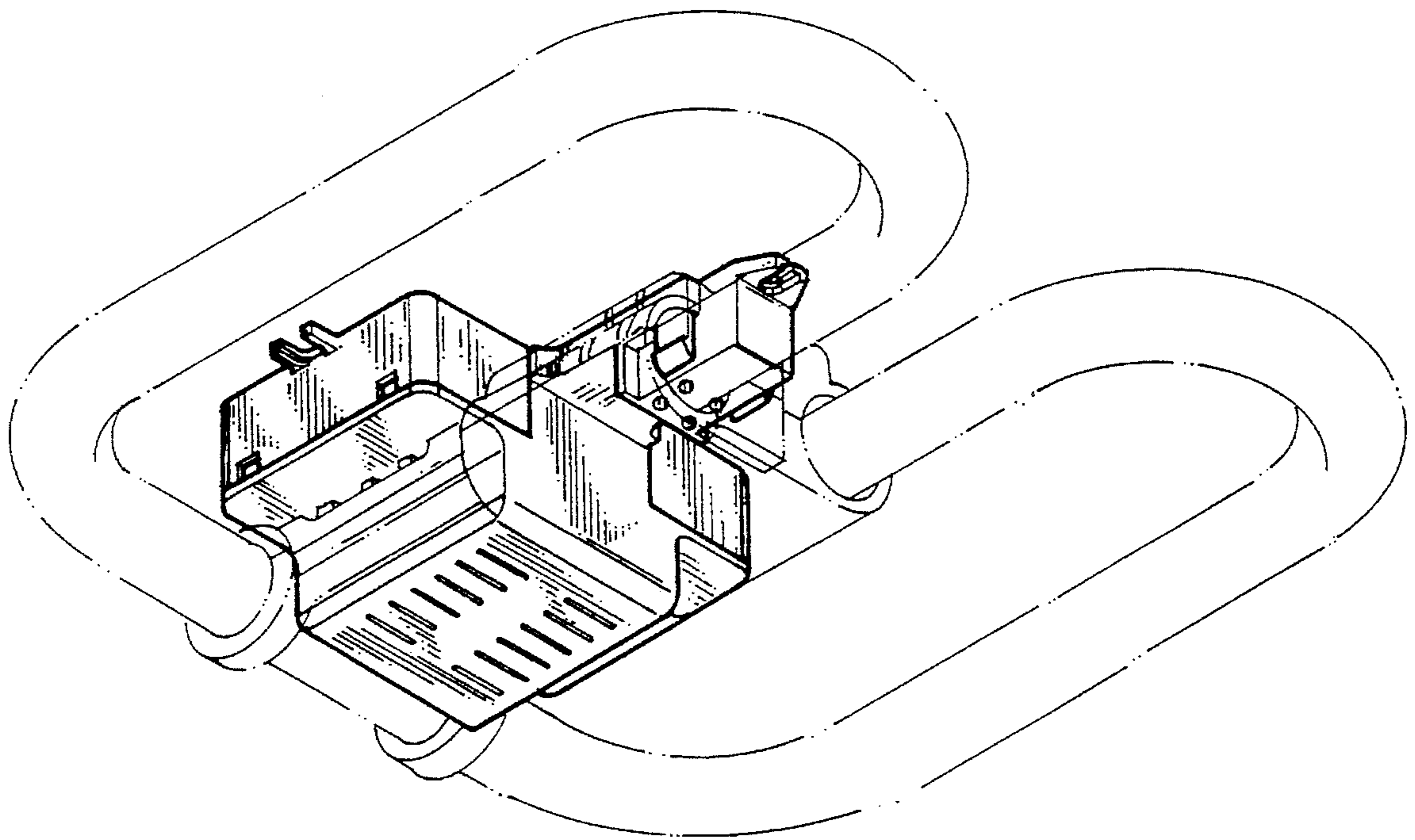


FIG. 7