



US00D364370S

United States Patent [19]

[11] Patent Number: **Des. 364,370**

Weimer et al.

[45] Date of Patent: ****Nov. 21, 1995**

[54] TIRE TREAD

Attorney, Agent, or Firm—T. P. Lewandowski

[75] Inventors: **Andrew F. Weimer**, Akron; **Randall R. Brayer**; **Beale A. Robinson**, both of North Canton, all of Ohio

[57] CLAIM

The ornamental design for a tire tread, as shown and described.

[73] Assignee: **The Goodyear Tire & Rubber Company**, Akron, Ohio

DESCRIPTION

[**] Term: **14 Years**

[21] Appl. No.: **26,753**

FIG. 1 is a perspective view of a tire tread;

[22] Filed: **Aug. 4, 1994**

FIG. 2 is a front elevational view thereof;

[52] U.S. Cl. **D12/147**; D12/141

FIG. 3 is a side elevational view thereof; and,

[58] Field of Search D12/141-143, D12/146-148; 152/209 R, 209 D

FIG. 4 is an enlarged fragmentary front view thereof.

[56] **References Cited**

The tread pattern is understood to be repeated uniformly throughout the circumference of the tire tread.

U.S. PATENT DOCUMENTS

D. 261,753 11/1981 Blankenship et al. D12/147
D. 326,074 5/1992 Himuro et al. D12/147

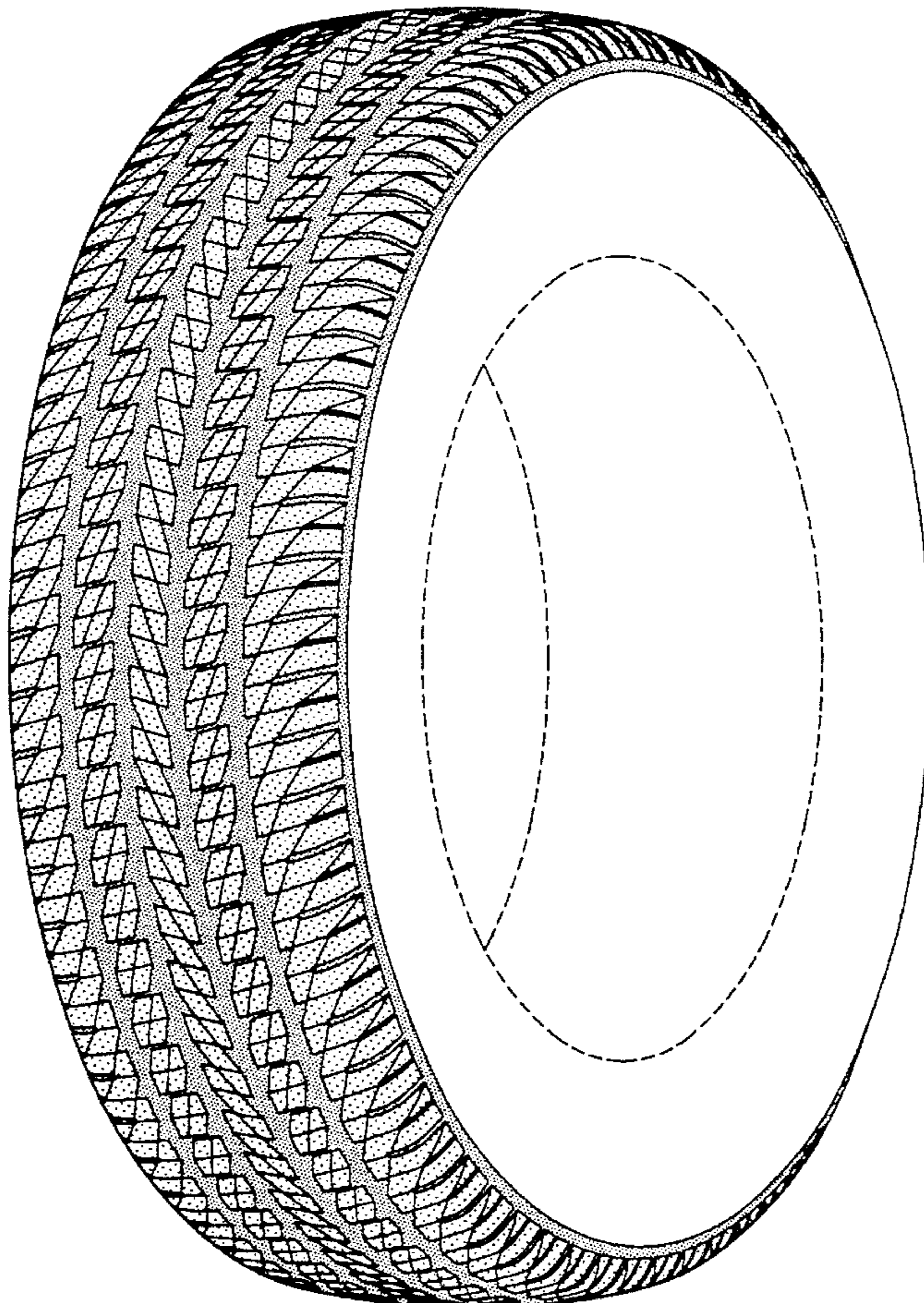
In the drawings, the broken line showing of the tire sidewall and the solid line defining the peripheral boundary between the tire tread and the sidewall are for illustrative purposes only and form no part of the claimed design.

OTHER PUBLICATIONS

1993 Tread Design Guide, p. 14, Bridgestone, Turanza S Tire, third row down from top, left side of page.

Primary Examiner—James M. Gandy

1 Claim, 4 Drawing Sheets



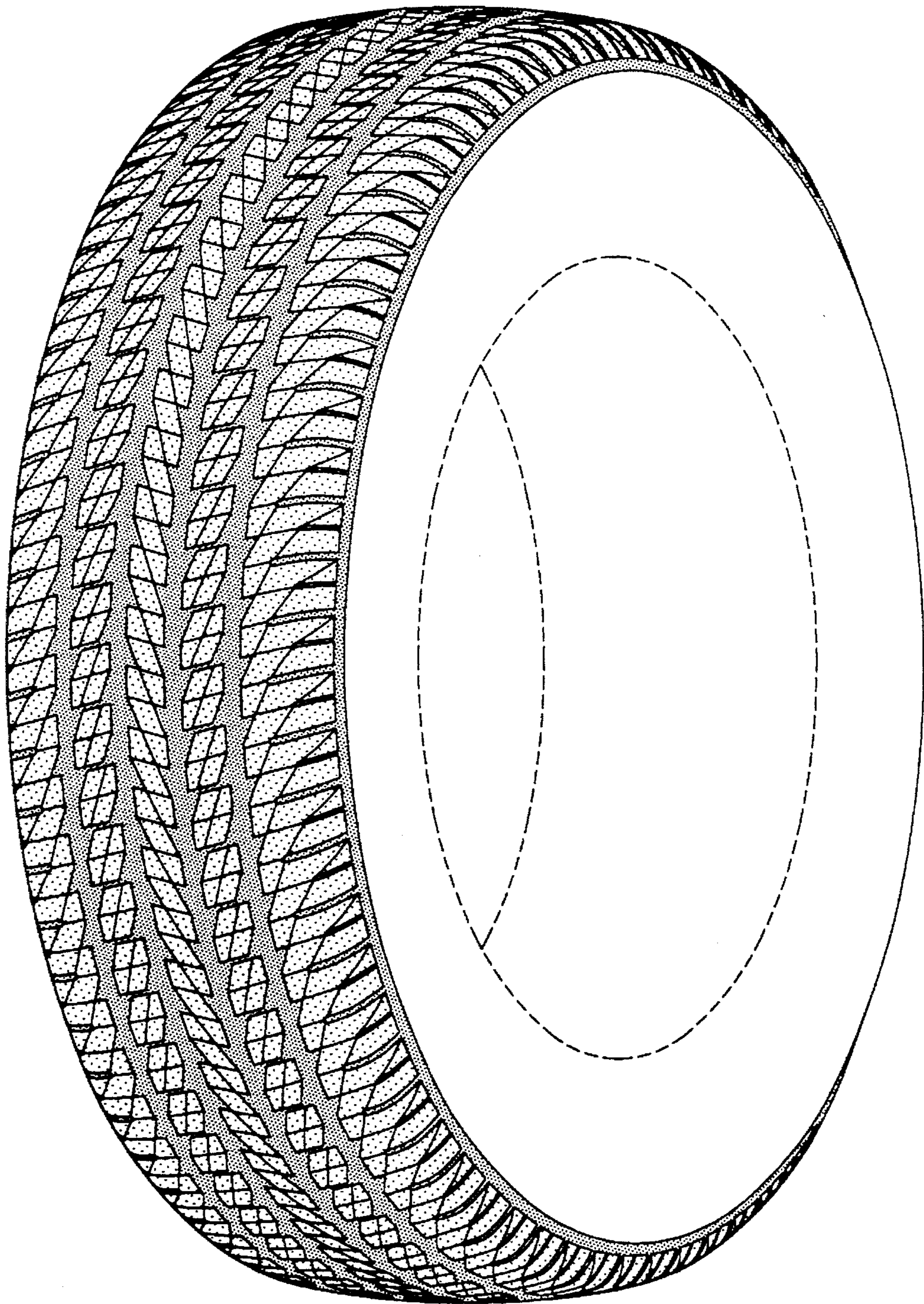


FIG-1

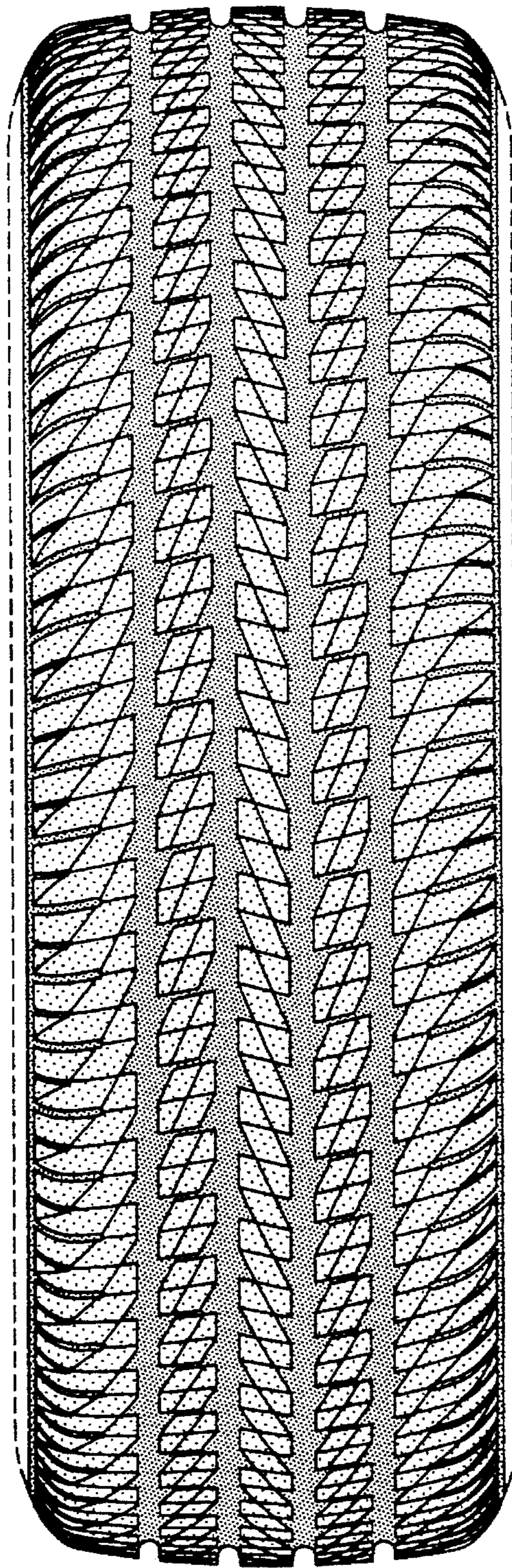


FIG-2

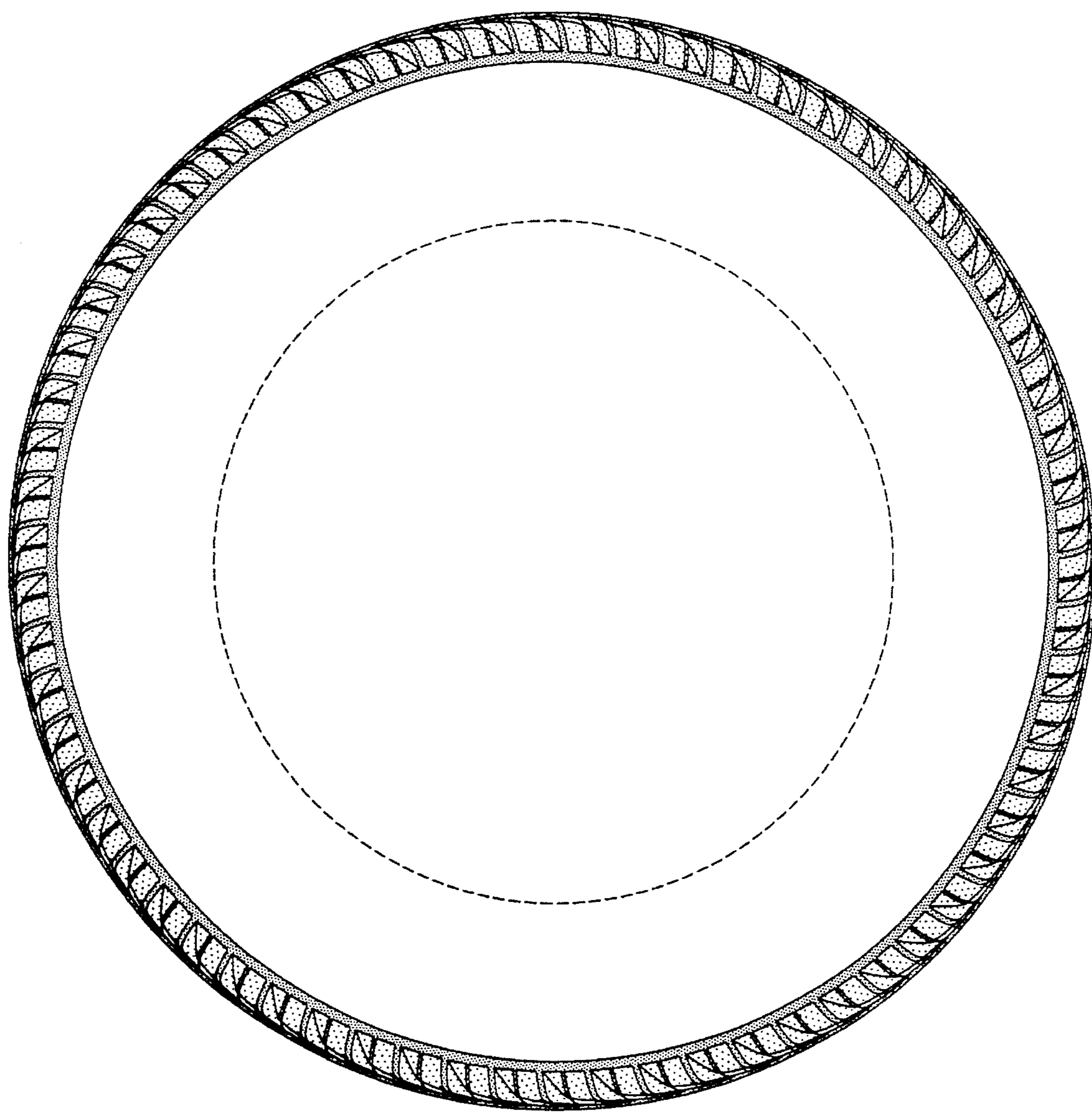


FIG-3

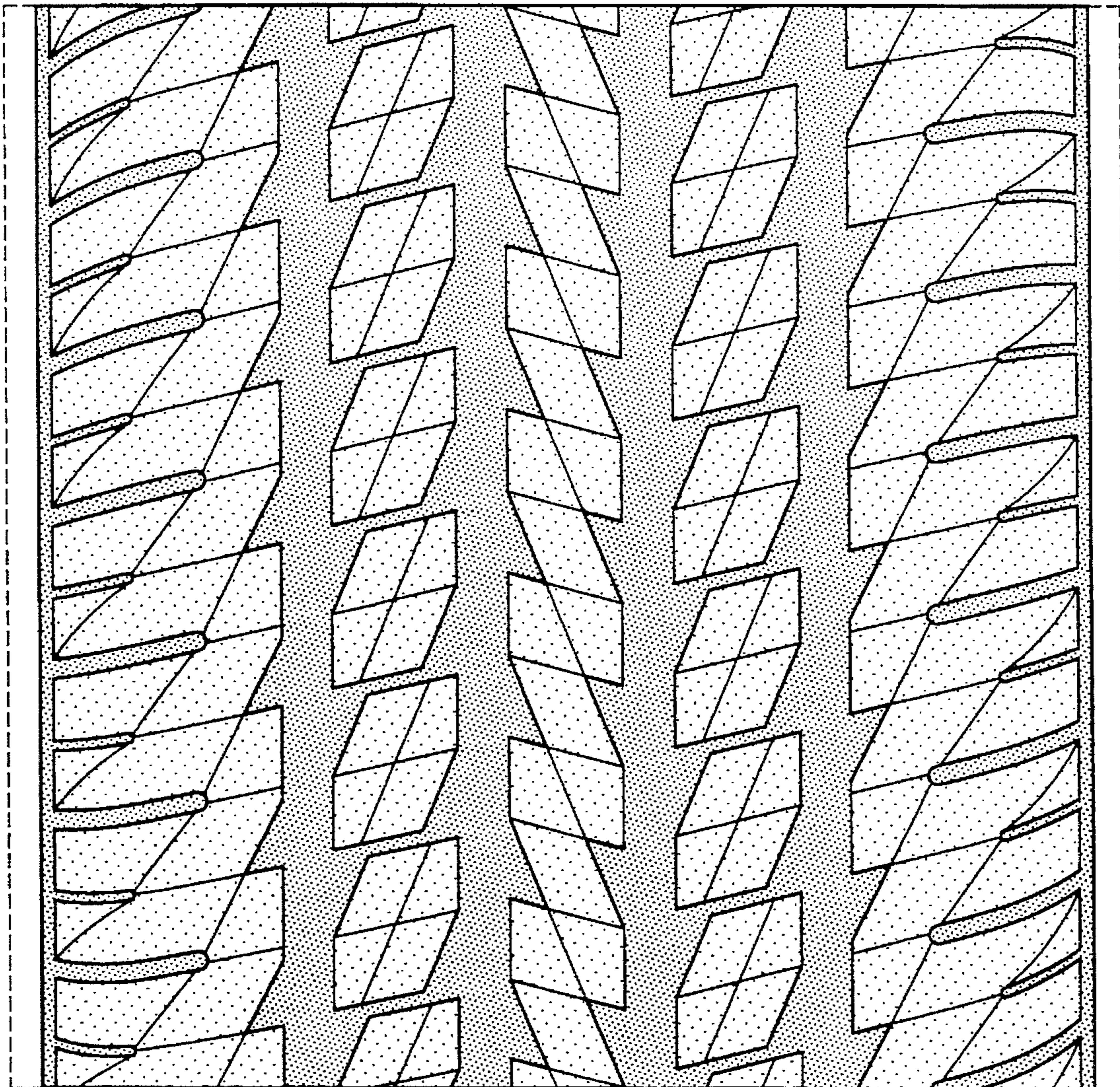


FIG-4