



US00D364368S

United States Patent [19]

[11] Patent Number: **Des. 364,368**

Van Der Meer et al.

[45] Date of Patent: ****Nov. 21, 1995**

[54] **TIRE TREAD**

[75] Inventors: **Alex Van Der Meer**, Schieren, Luxembourg; **Claude Lardo**, Walzing, Belgium

[73] Assignee: **The Goodyear Tire & Rubber Company**, Akron, Ohio

[**] Term: **14 Years**

[21] Appl. No.: **26,533**

[22] Filed: **Aug. 1, 1994**

[52] U.S. Cl. **D12/146**

[58] Field of Search **D12/146-148; 152/209 R, 209 B, 209 D**

[56] **References Cited**

U.S. PATENT DOCUMENTS

D. 356,059 3/1995 McKisson D12/146

OTHER PUBLICATIONS

1993 Tread Design Guide, p. 22, Cordovan Centron Tire, third row down from top, left side of page.

1994 Tread Design Guide, p. 9, Brunswick Centra Tire, top

center of page.

1994 Tread Design Guide, p. 91 Small Highway & Light Trucks, Workhorse Radial.

Primary Examiner—James M. Gandy

Attorney, Agent, or Firm—T. P. Lewandowski

[57] **CLAIM**

The ornamental design for a tire tread, as shown and described.

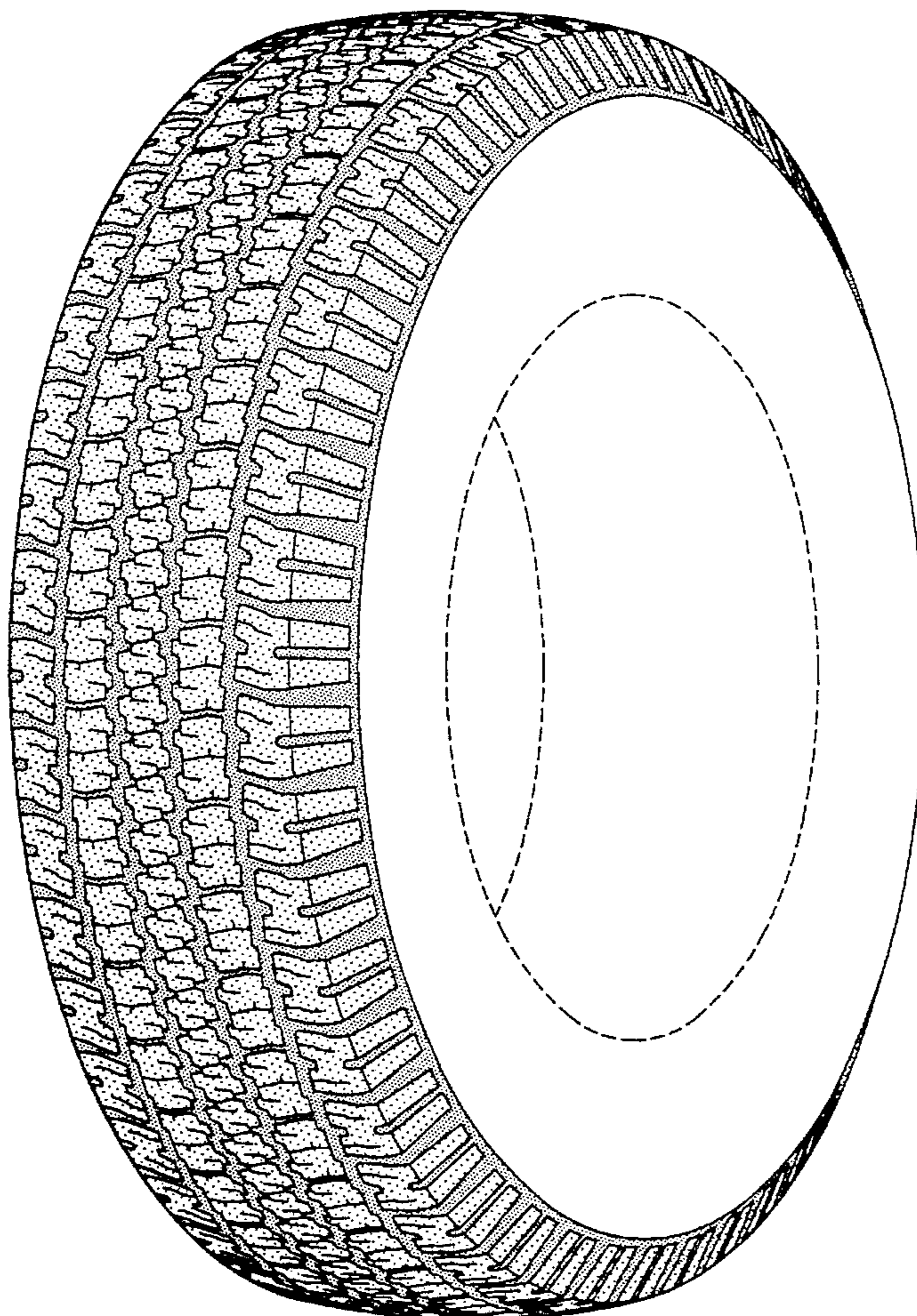
DESCRIPTION

FIG. 1 is a perspective view of a tire tread; FIG. 2 is a front elevational view thereof; FIG. 3 is a side elevational view thereof; and, FIG. 4 is an enlarged fragmentary front view thereof.

The tread pattern is understood to be repeated uniformly throughout the circumference of the tire tread.

The broken line showing of the tire sidewall in the drawings is for illustrative purposes only and forms no part of the claimed design.

1 Claim, 4 Drawing Sheets



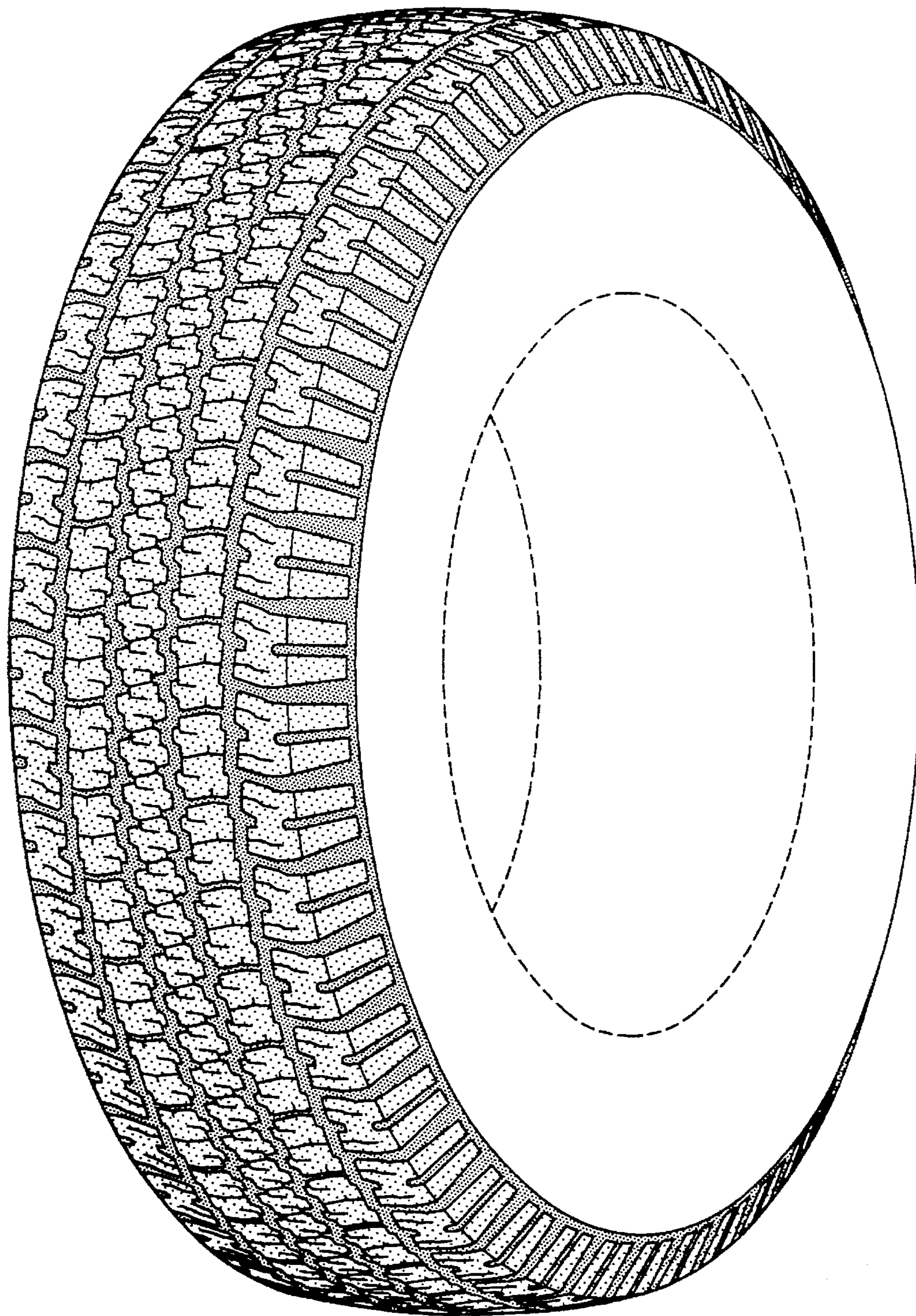


FIG-1

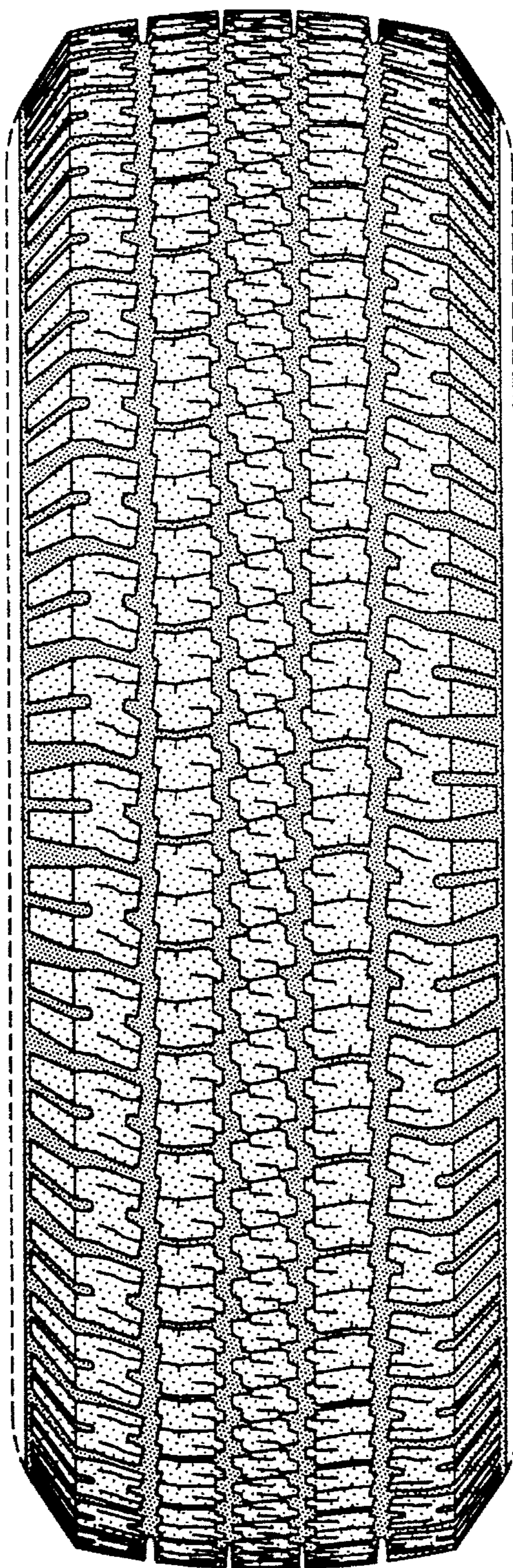


FIG-2

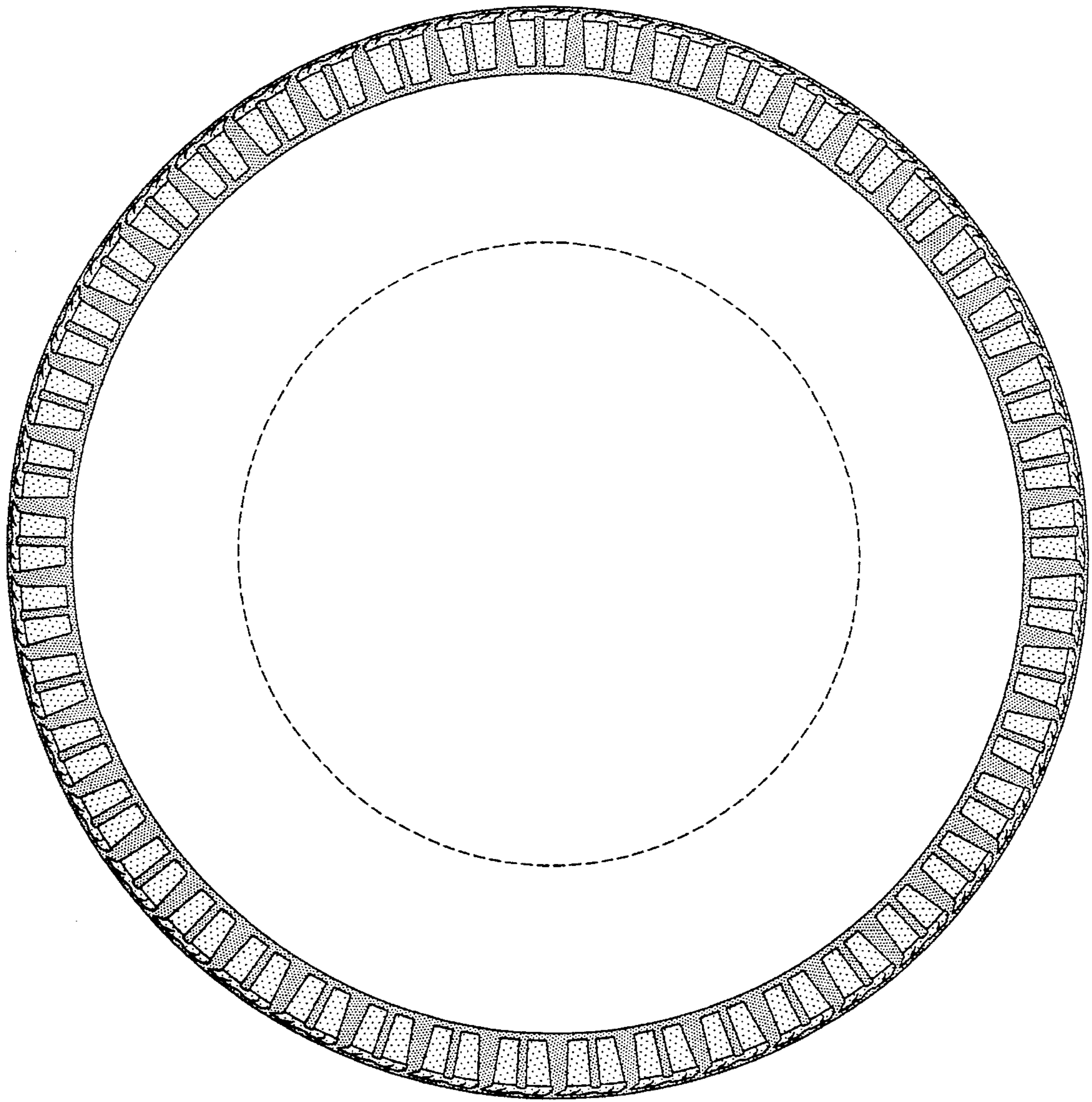


FIG-3

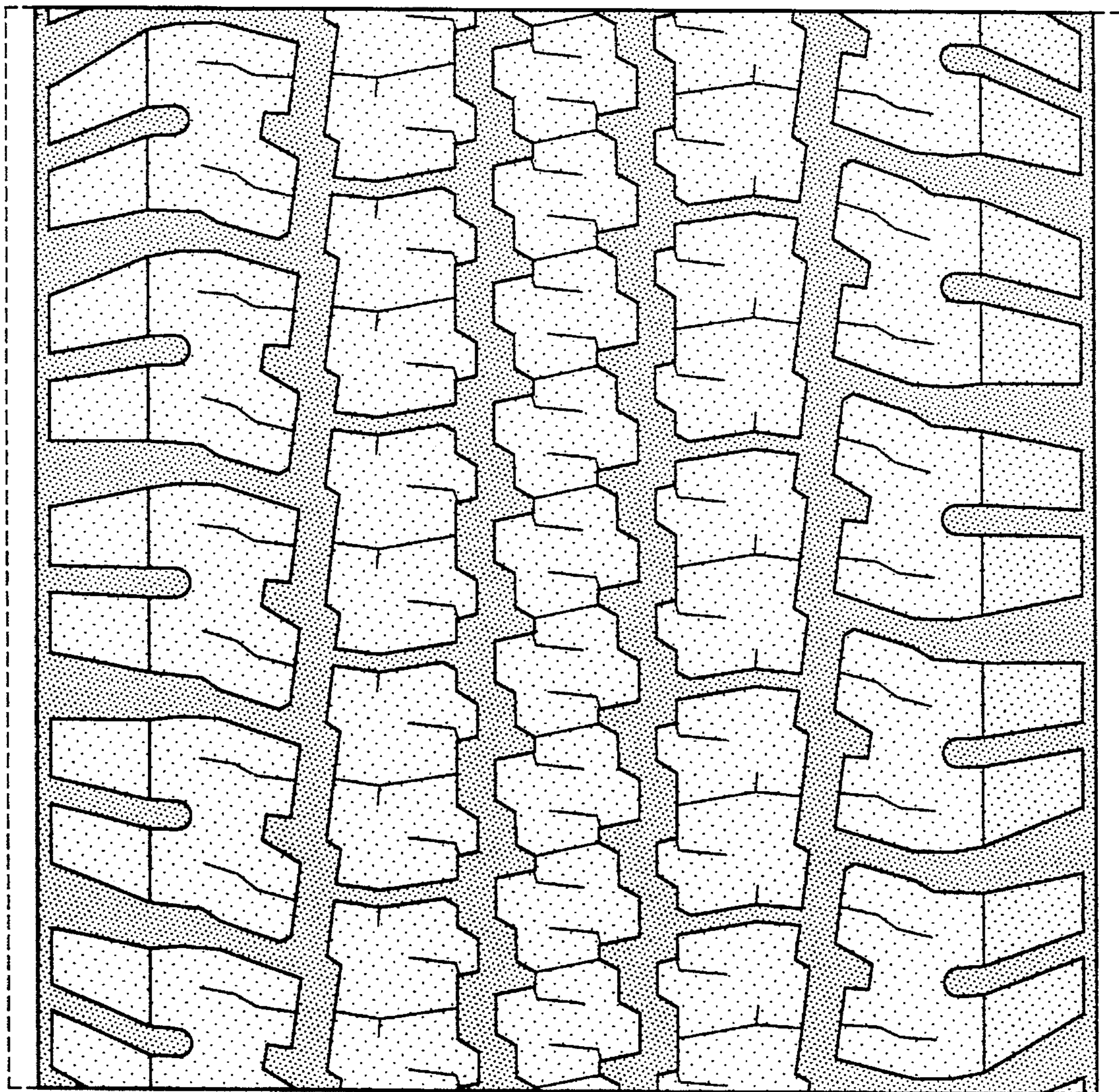


FIG-4