



US00D364364S

United States Patent [19]
Takimoto

[11] **Patent Number: Des. 364,364**

[45] **Date of Patent: **Nov. 21, 1995**

[54] **BUCKLE FOR CARGO STRAPS**
[75] Inventor: **Kazuhide Takimoto**, Tokyo, Japan
[73] Assignee: **Takigen Manufacturing Co. Ltd.**,
Tokyo, Japan
[**] Term: **14 Years**

4,584,742 4/1986 Speich 24/68 CD
4,987,653 1/1991 Lin 24/68 E
5,282,296 2/1994 Huang 24/68 CD

Primary Examiner—Ralf Seifert
Attorney, Agent, or Firm—Martin Smolowitz

[21] Appl. No.: **24,984**
[22] Filed: **Jun. 24, 1994**
[52] **U.S. Cl.** **D11/216**
[58] **Field of Search** D11/200–220;
24/170, 688 B, 69 R, 69 J, 69 CT, 68 T,
68 E, 68 CD, 68 R

[57] **CLAIM**

The ornamental design of a buckle for cargo straps, as shown and described.

DESCRIPTION

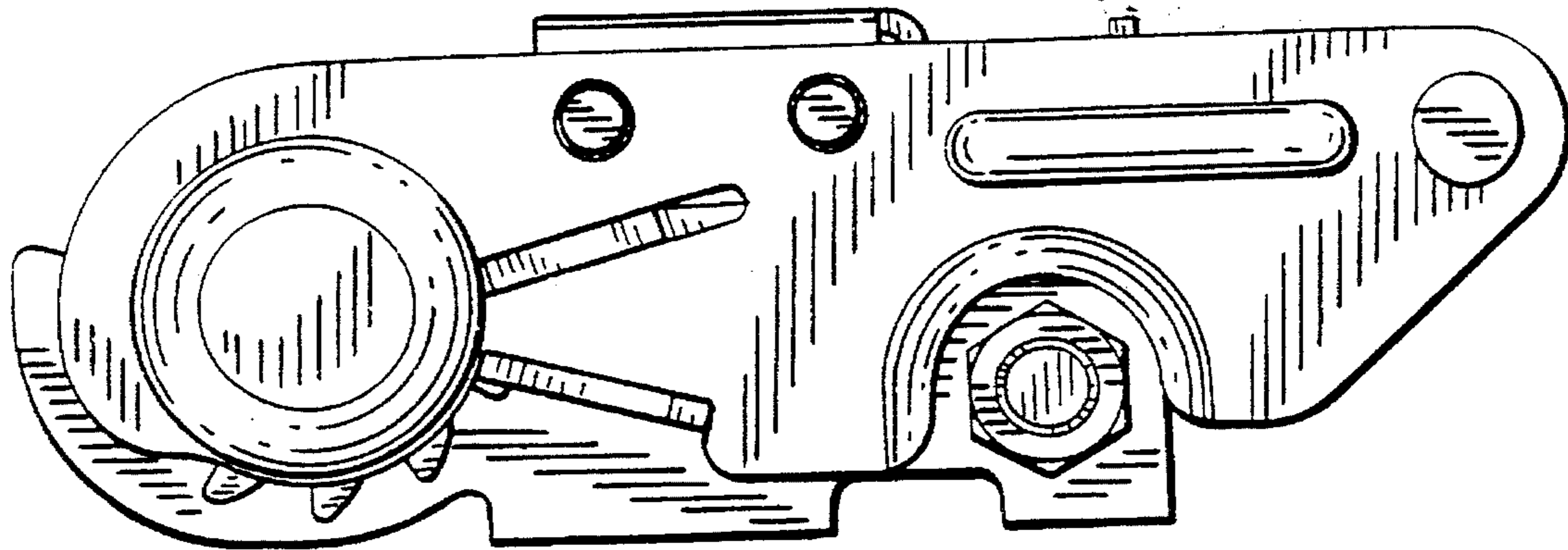
FIG. 1 is a front view of the buckle for cargo straps showing my new design, that the rear view being a mirror image of the front view;
FIG. 2 is a left side view thereof;
FIG. 3 is a right side view thereof;
FIG. 4 is a top plan view thereof;
FIG. 5 is a bottom plan view thereof; and,
FIG. 6 is a sectional view taken along line 6—6 of FIG. 1.

[56] **References Cited**

U.S. PATENT DOCUMENTS

D. 354,457 1/1995 McIntyre D11/216
4,324,022 4/1982 Prete, Jr. 26/68 CD
4,324,023 4/1982 Prete, Jr. 24/68 CD

1 Claim, 3 Drawing Sheets



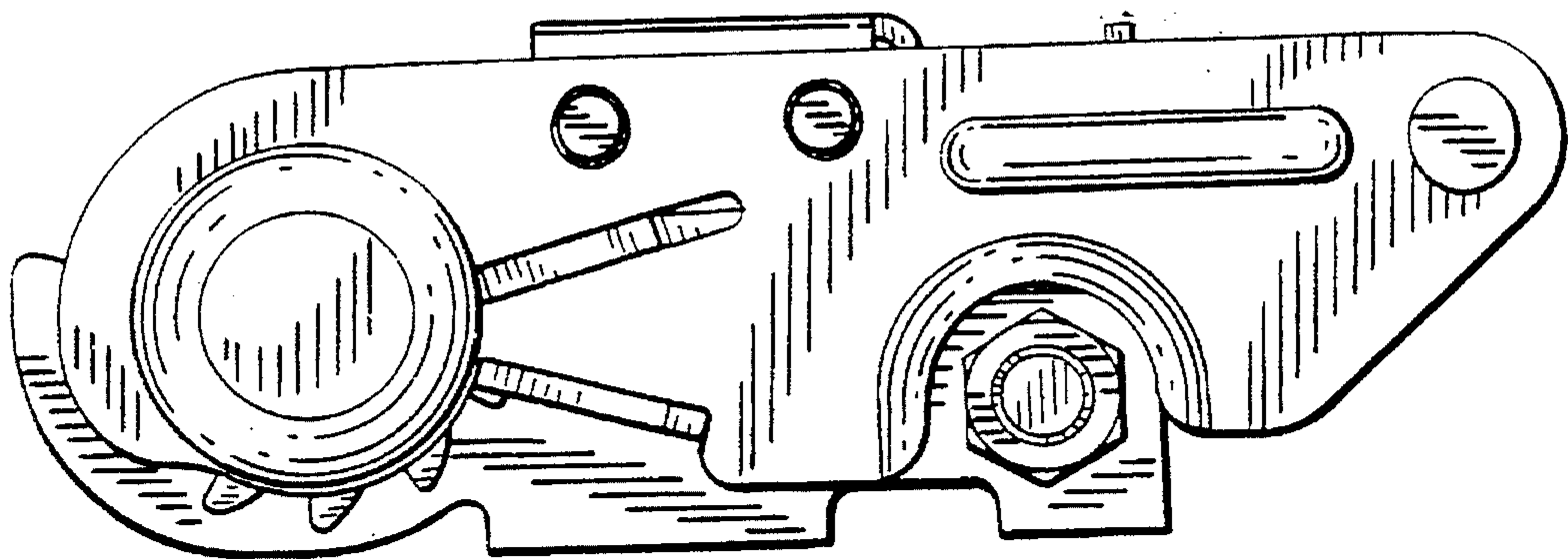


FIG. 1

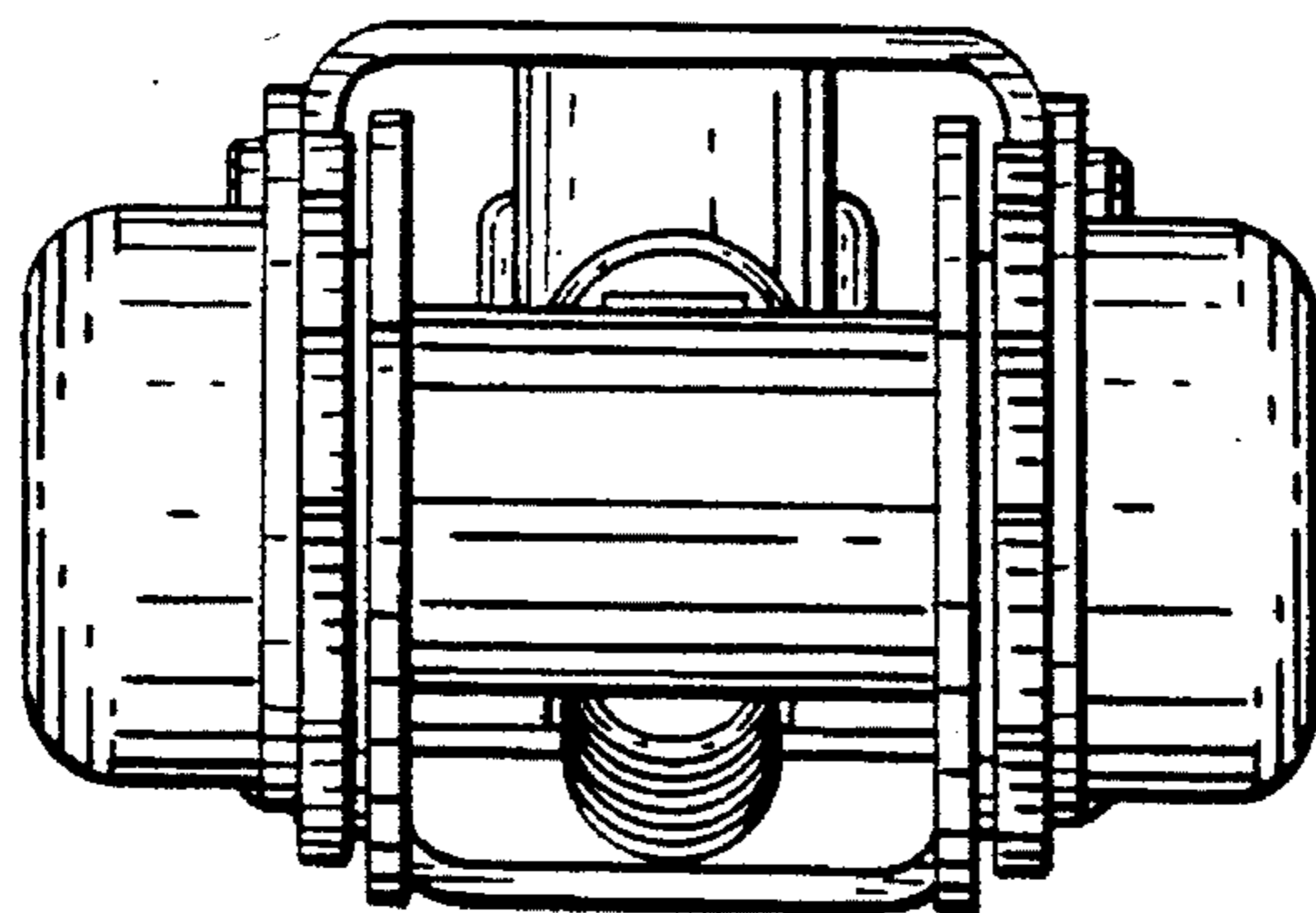


FIG. 2

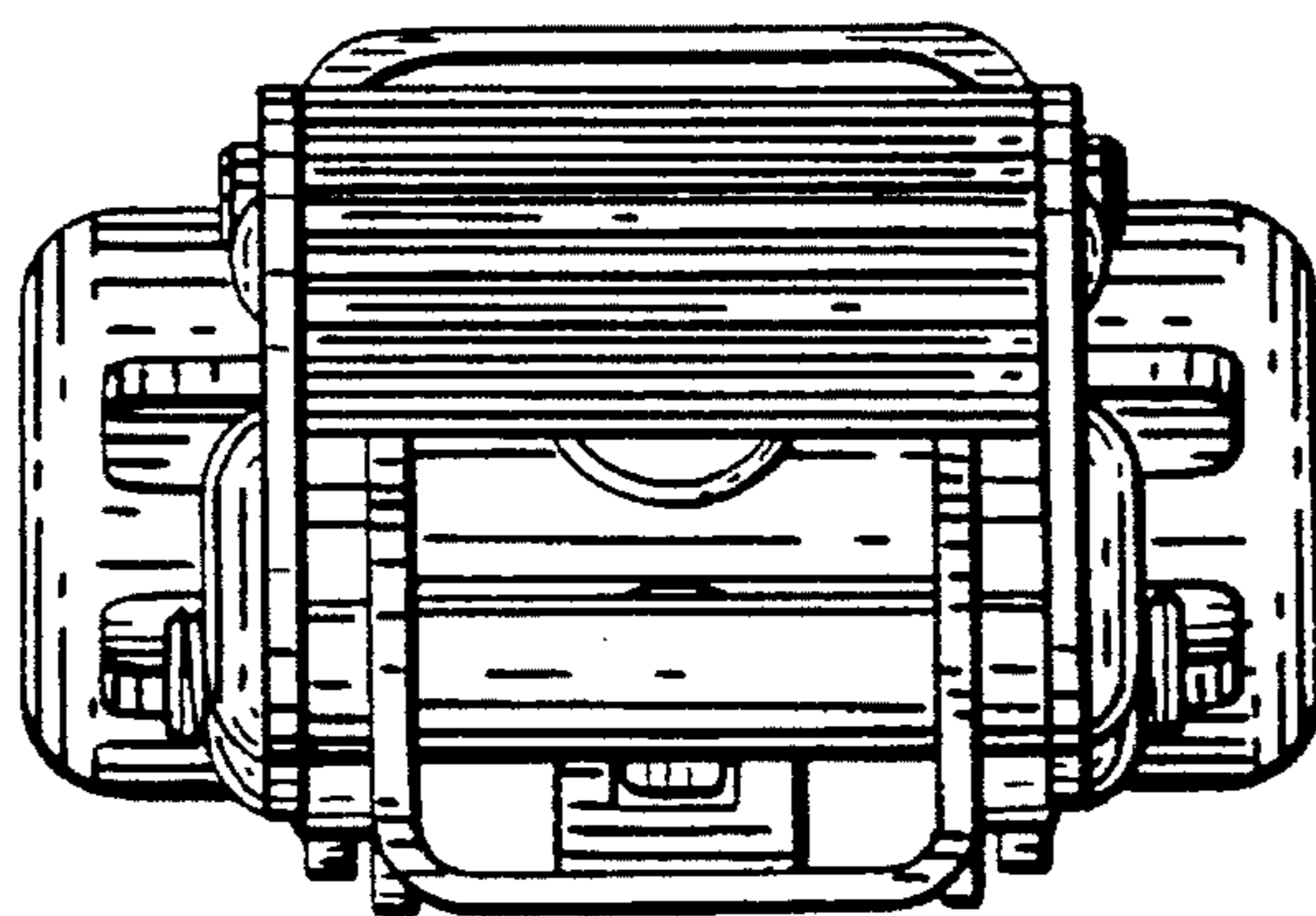


FIG. 3

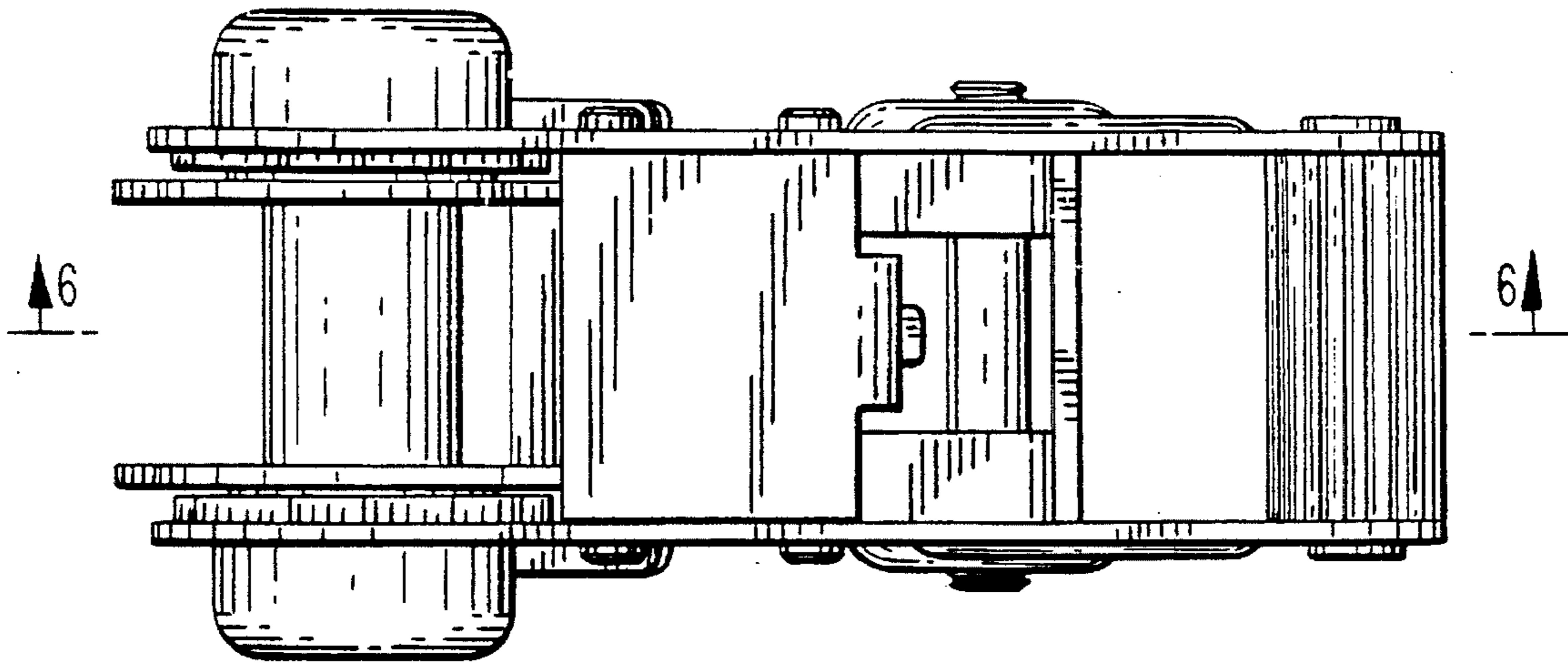


FIG. 4

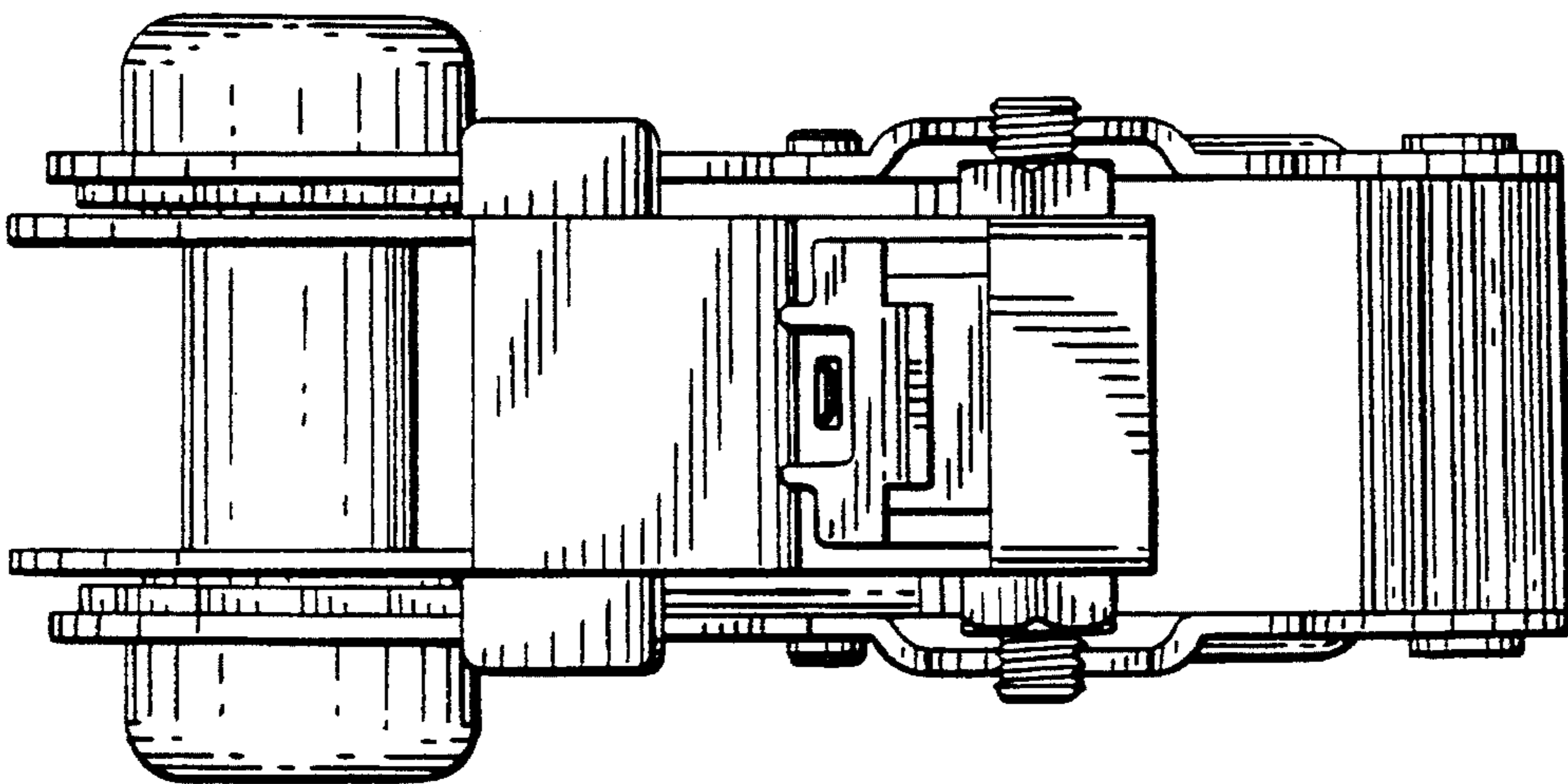


FIG. 5

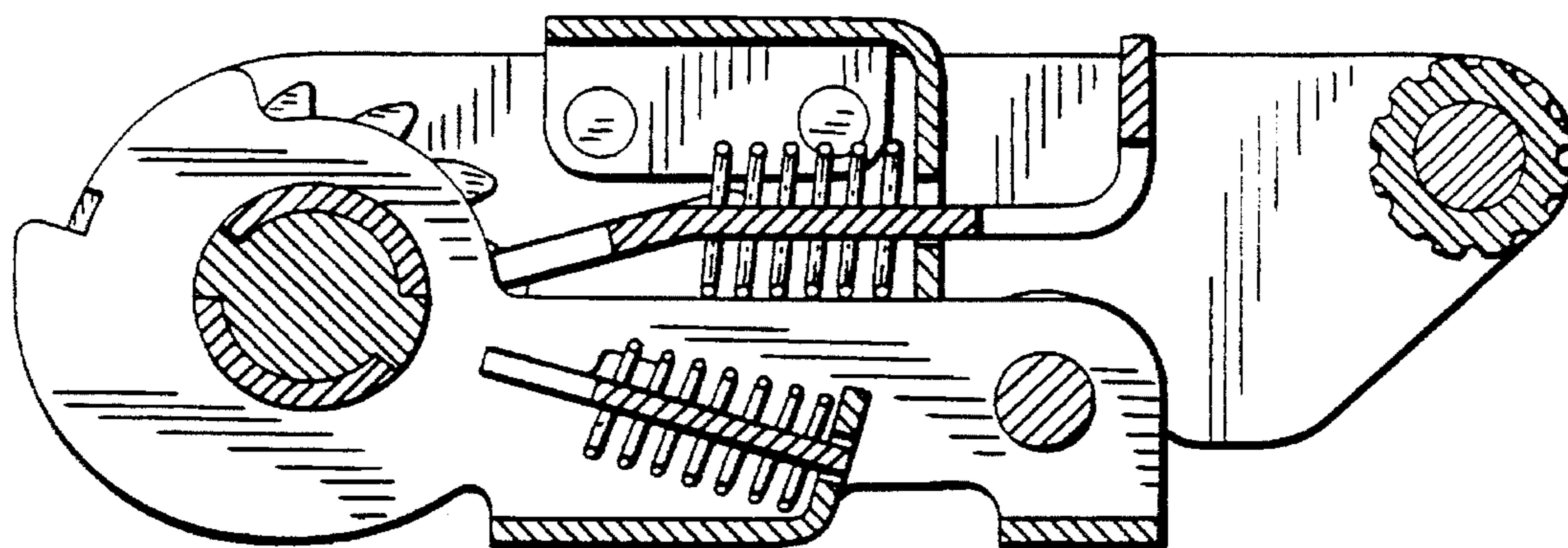


FIG. 6