



US00D364359S

**United States Patent** [19]  
**Johnson**

[11] **Patent Number: Des. 364,359**

[45] **Date of Patent: \*\*Nov. 21, 1995**

[54] **SELF-WATERING PLANT CONTAINER**

5,081,790 1/1992 Hinton .

[76] Inventor: **Donald C. Johnson**, P.O. Box 21,  
Farmville, N.C. 27828

**FOREIGN PATENT DOCUMENTS**

515207 12/1992 European Pat. Off. .... 47/81  
2176382 12/1986 United Kingdom ..... 47/79

[\*\*] Term: **14 Years**

*Primary Examiner*—Lou Zarfaz  
*Assistant Examiner*—Monica A. Hannon

[21] Appl. No.: **16,631**

[22] Filed: **Dec. 21, 1993**

[57] **CLAIM**

[52] **U.S. Cl.** ..... **D11/152; D11/164**

[58] **Field of Search** ..... D7/509, 523, 547;  
D9/452, 453, 454, 455, 456; D11/143, 145,  
146, 148, 152, 153, 154, 155, 156, 164;  
47/41.11, 41.12, 41.13, 41.14, 41.15, 66 A,  
66 B, 66 C, 66 D, 66 I, 66 MD, 69 T,  
79, 81, 80, 67, 68, 69, 70, 71, 72, 73, 74,  
75, 76, 77, 78; 362/161, 162, 163; 431/126,  
288, 289, 291; D26/9, 11

The ornamental design for the self-watering plant container,  
as shown and described.

**DESCRIPTION**

FIG. 1 is a front elevational view of the self-watering plant container showing my new design;  
FIG. 2 is a rear elevational view thereof;  
FIG. 3 is a left side elevational view thereof;  
FIG. 4 is a right side elevational view thereof;  
FIG. 5 is a top plan view thereof;  
FIG. 6 is a bottom plan view thereof;  
FIG. 7 is an exploded assembly view thereof in elevation;  
and,  
FIG. 8 is a bottom view of the interior elements on an enlarged scale thereof.

[56] **References Cited**

**U.S. PATENT DOCUMENTS**

4,052,818 10/1977 Hagerty ..... 47/81  
4,741,125 5/1988 Demorest .  
4,932,159 6/1990 Holtkamp, Sr. .  
4,996,792 3/1991 Holtkamp, Sr. .  
5,046,282 9/1991 Whitaker .

**1 Claim, 4 Drawing Sheets**

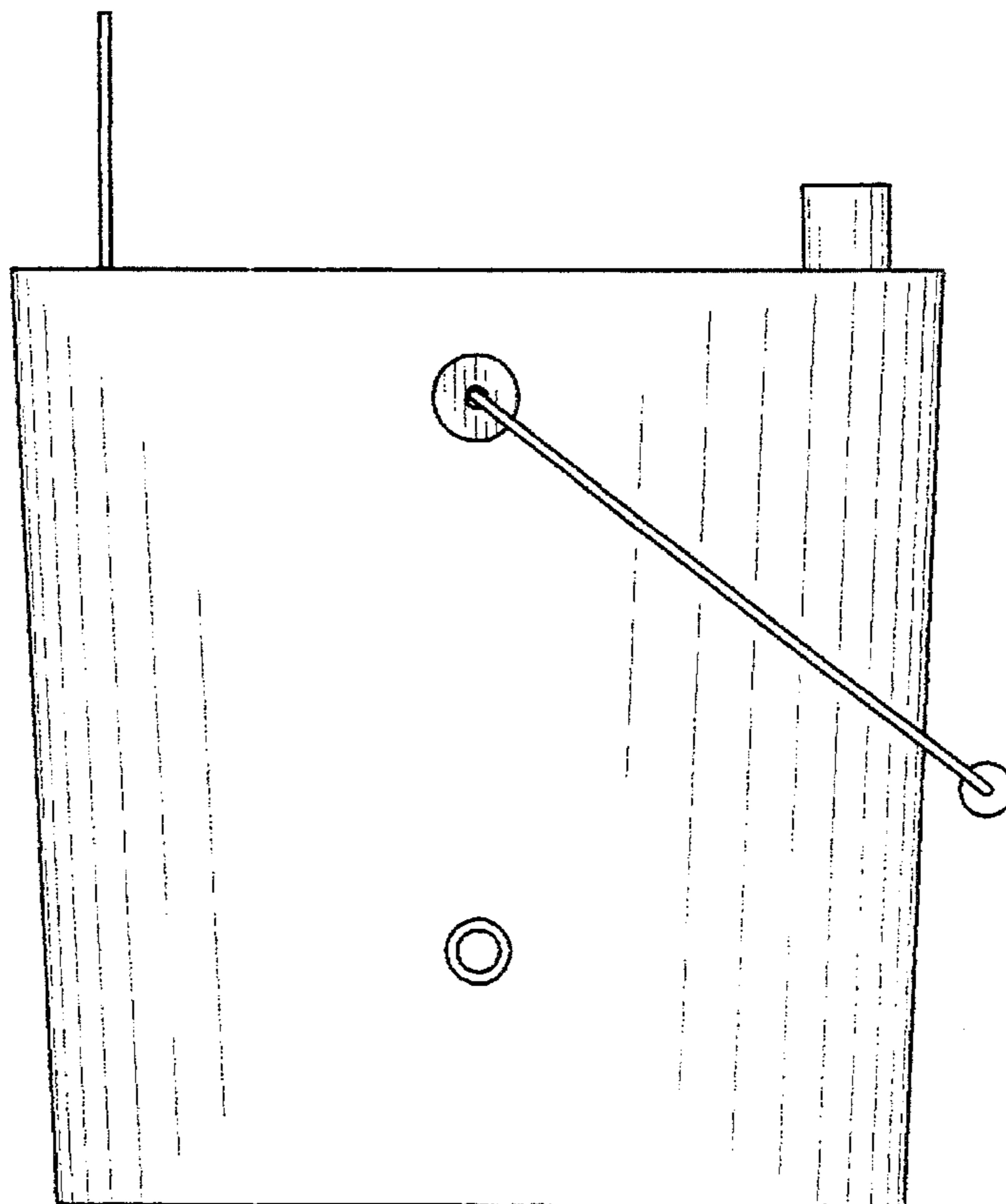


FIG. 1

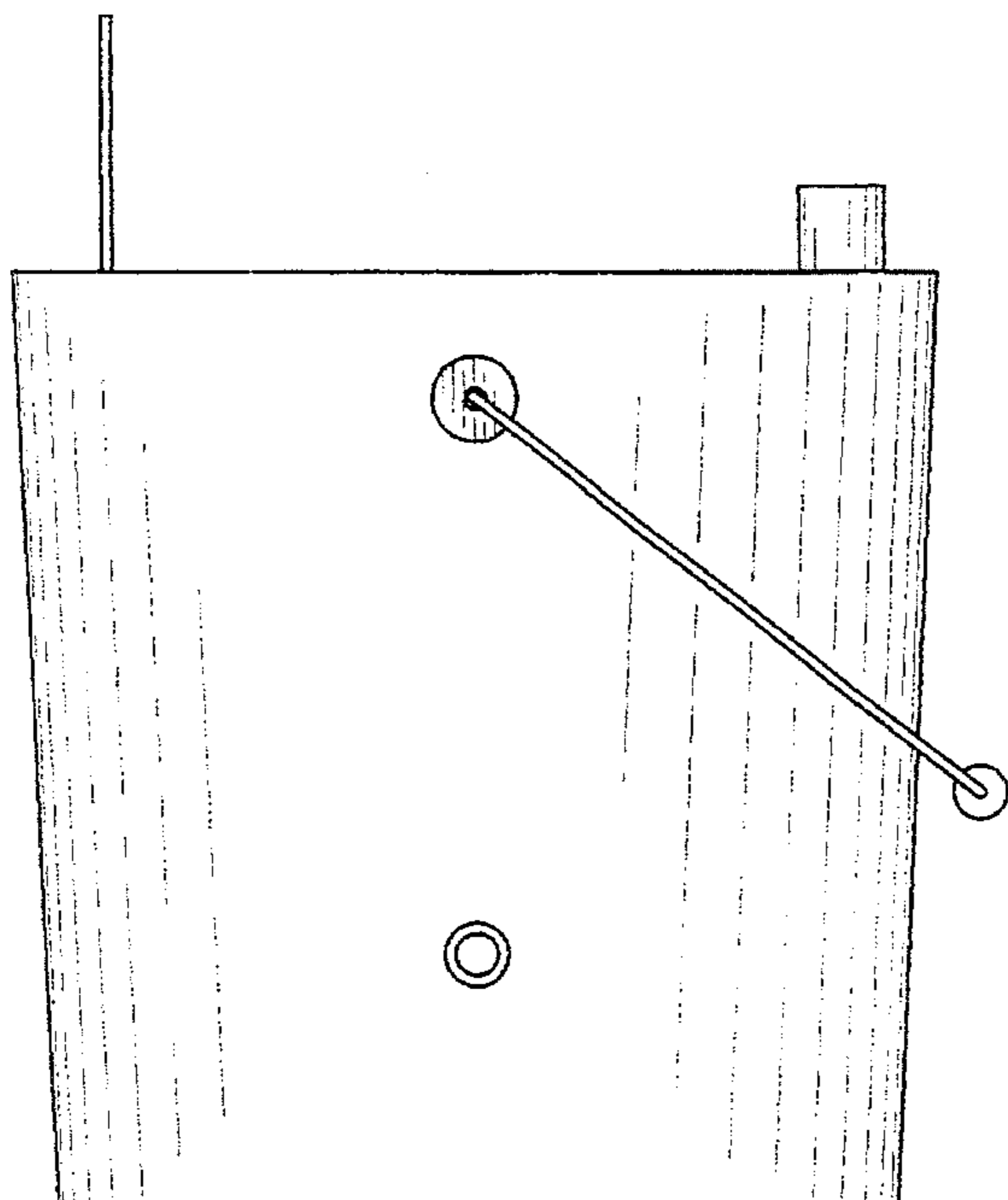


FIG. 2

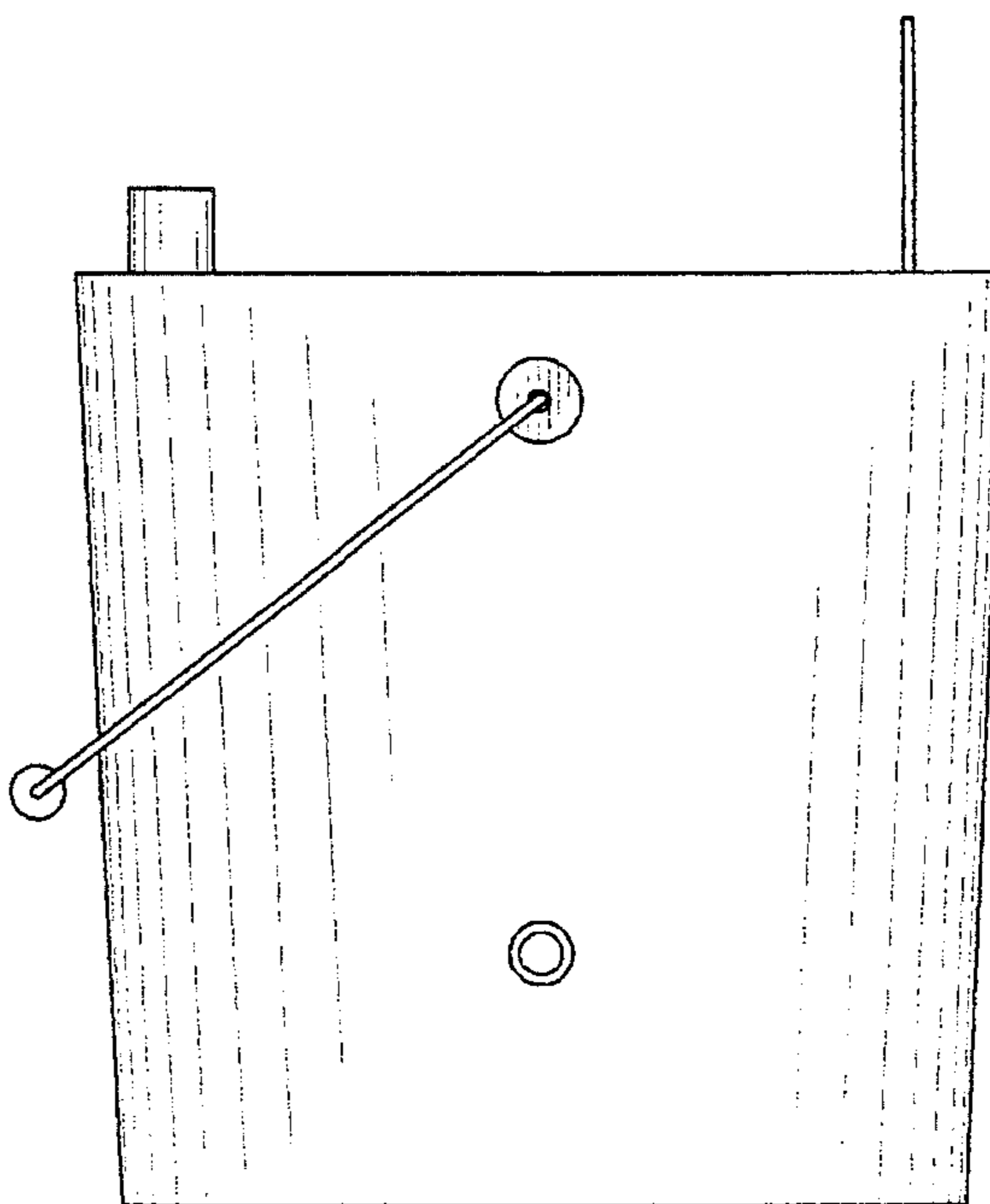


FIG. 3

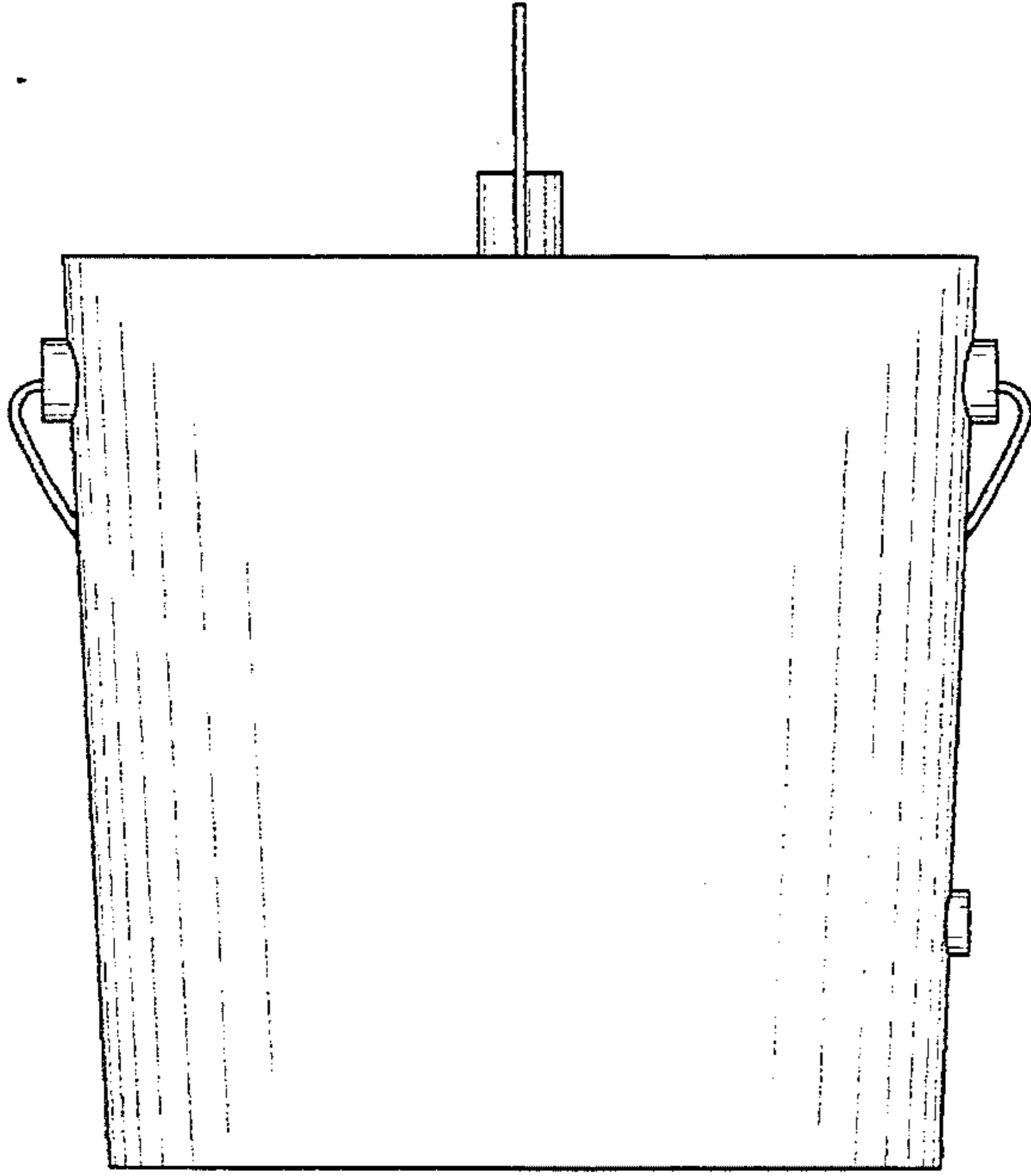


FIG. 4

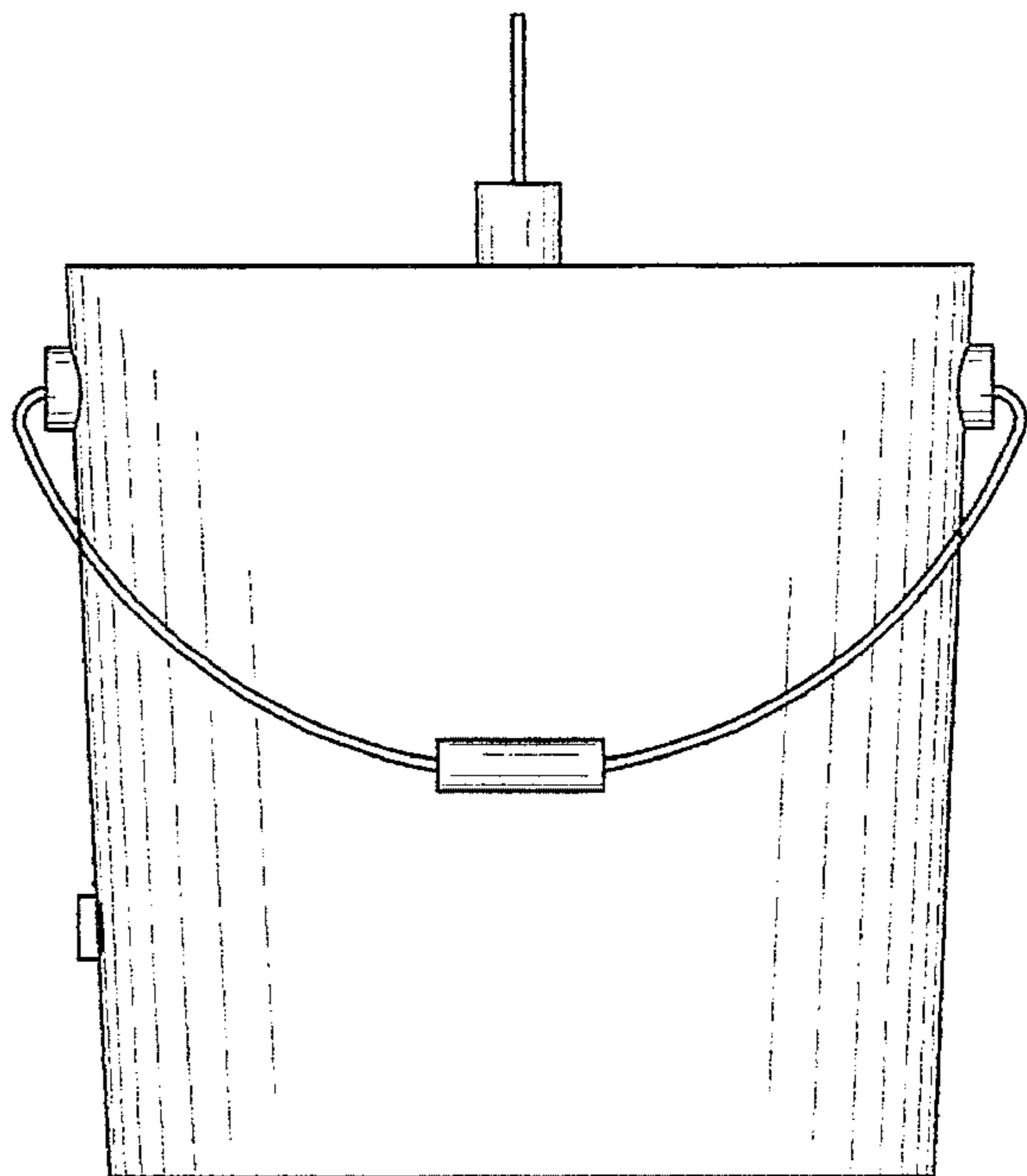


FIG. 5

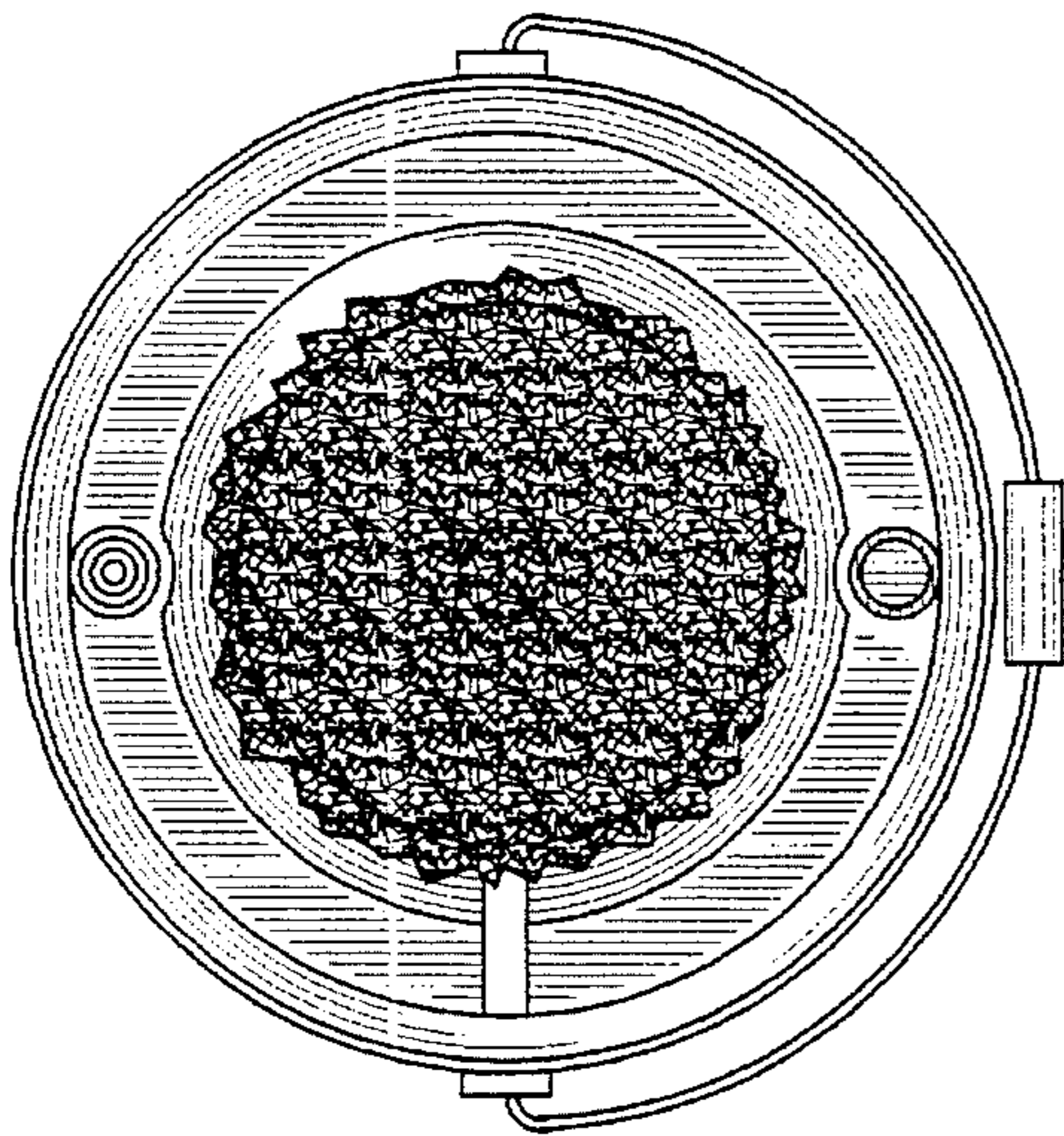


FIG. 6

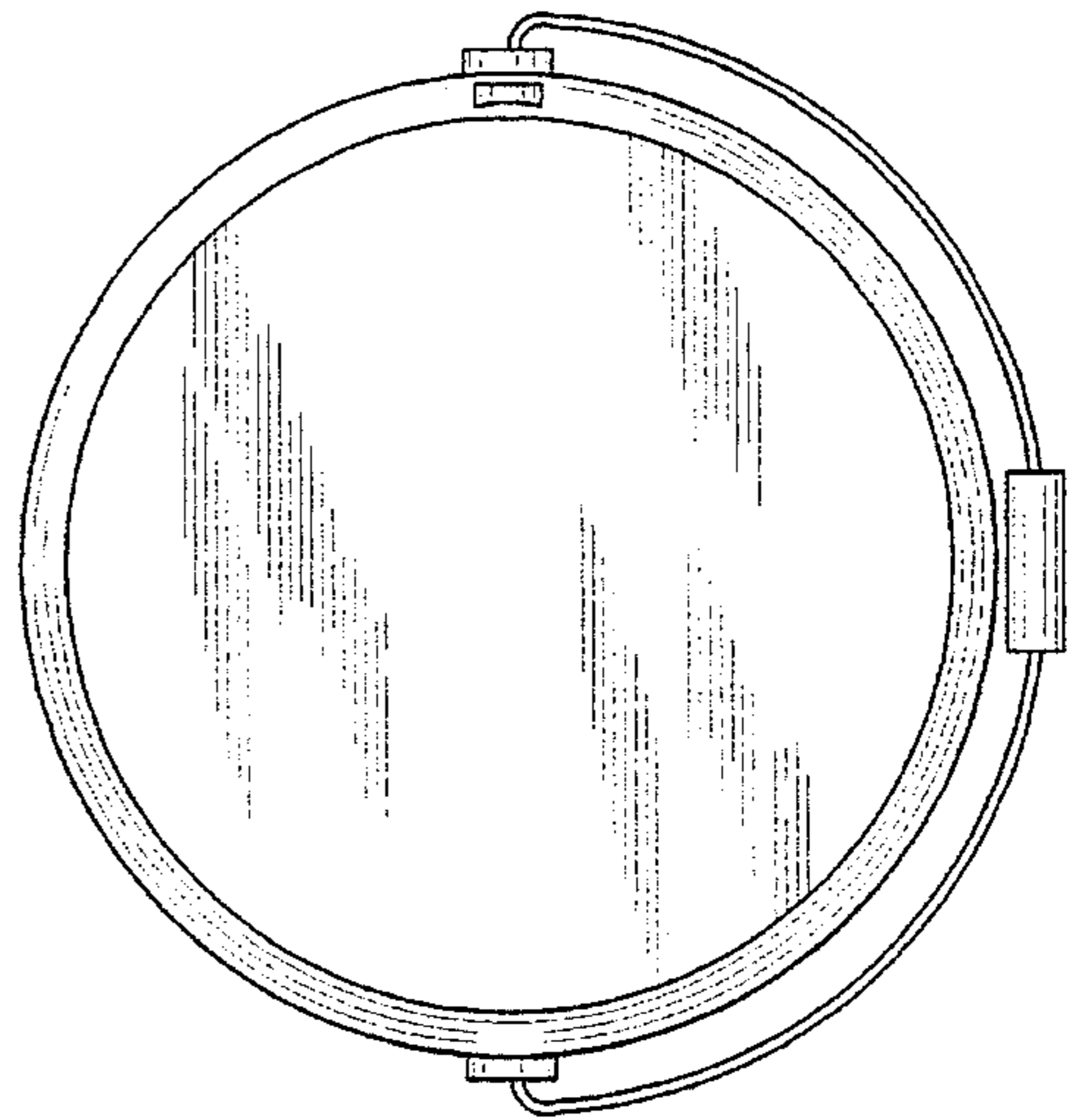


FIG. 7

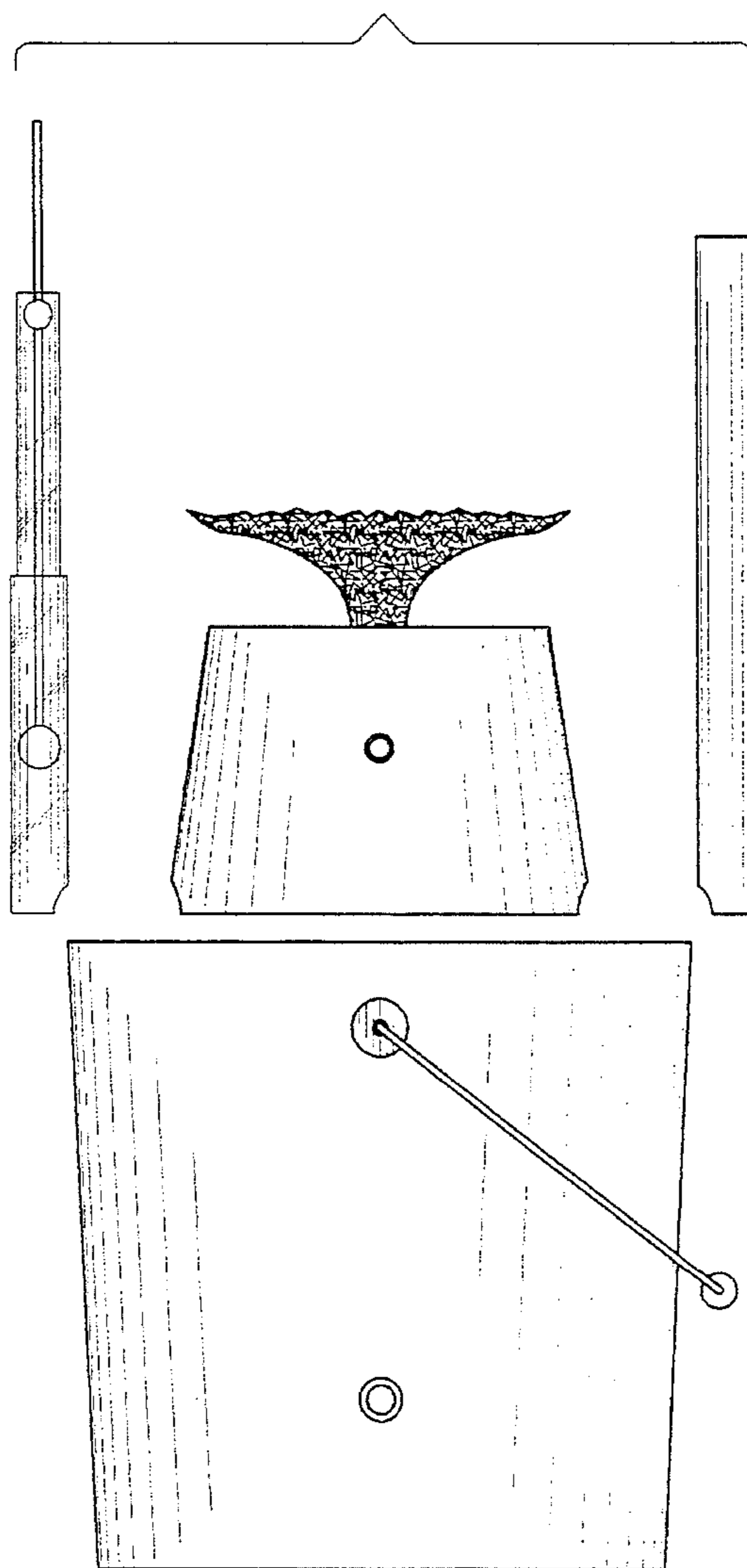


FIG. 8

