



US00D364358S

United States Patent [19]

Bransky et al.

[11] Patent Number: **Des. 364,358**

[45] Date of Patent: ****Nov. 21, 1995**

+
[54] **PLANTER**

D. 313,203 12/1990 Carlson D11/164 X
D. 324,005 2/1992 Grosfillex D11/152

[75] Inventors: **Jeffrey D. Bransky**, Clarendon Hills;
Kenneth L. Sanderson, Elgin, both of Ill.

Primary Examiner—Louis S. Zarfaz
Assistant Examiner—Monica A. Hannon
Attorney, Agent, or Firm—John L. Schmitt

[73] Assignee: **Duraco Products, Inc.**, Streamwood, Ill.

[57] **CLAIM**

[**] Term: **14 Years**

The ornamental design for a planter, as shown and described.

[21] Appl. No.: **15,022**

DESCRIPTION

[22] Filed: **Nov. 8, 1993**

[52] U.S. Cl. **D11/152; D11/143; D11/153**

[58] **Field of Search** D7/509, 523, 547;
D9/452, 453, 454, 455, 456; D11/143, 145,
146, 148, 152, 153, 154, 155, 156, 164;
47/41.14, 41.11, 41.12, 41.13, 41.15, 66 A,
66 B, 66 C, 66 D, 66 I, 66 MD, 80, 81,
69 T, 79, 67, 68, 69, 70, 71, 72, 73, 74,
75, 76, 77, 78; 362/161, 162, 163; 431/126,
288, 289, 291; D26/9, 11

FIG. 1 is a perspective view of a planter showing our new design;

FIG. 2 is a front elevational view thereof with the opposite side being identical to the side shown;

FIG. 3 is a side elevational view thereof with the opposite side being identical to the side shown;

FIG. 4 is a top plan view thereof; and,

FIG. 5 is a bottom plan view thereof.

[56] **References Cited**

U.S. PATENT DOCUMENTS

D. 228,934 10/1973 Humphries D11/154

1 Claim, 3 Drawing Sheets

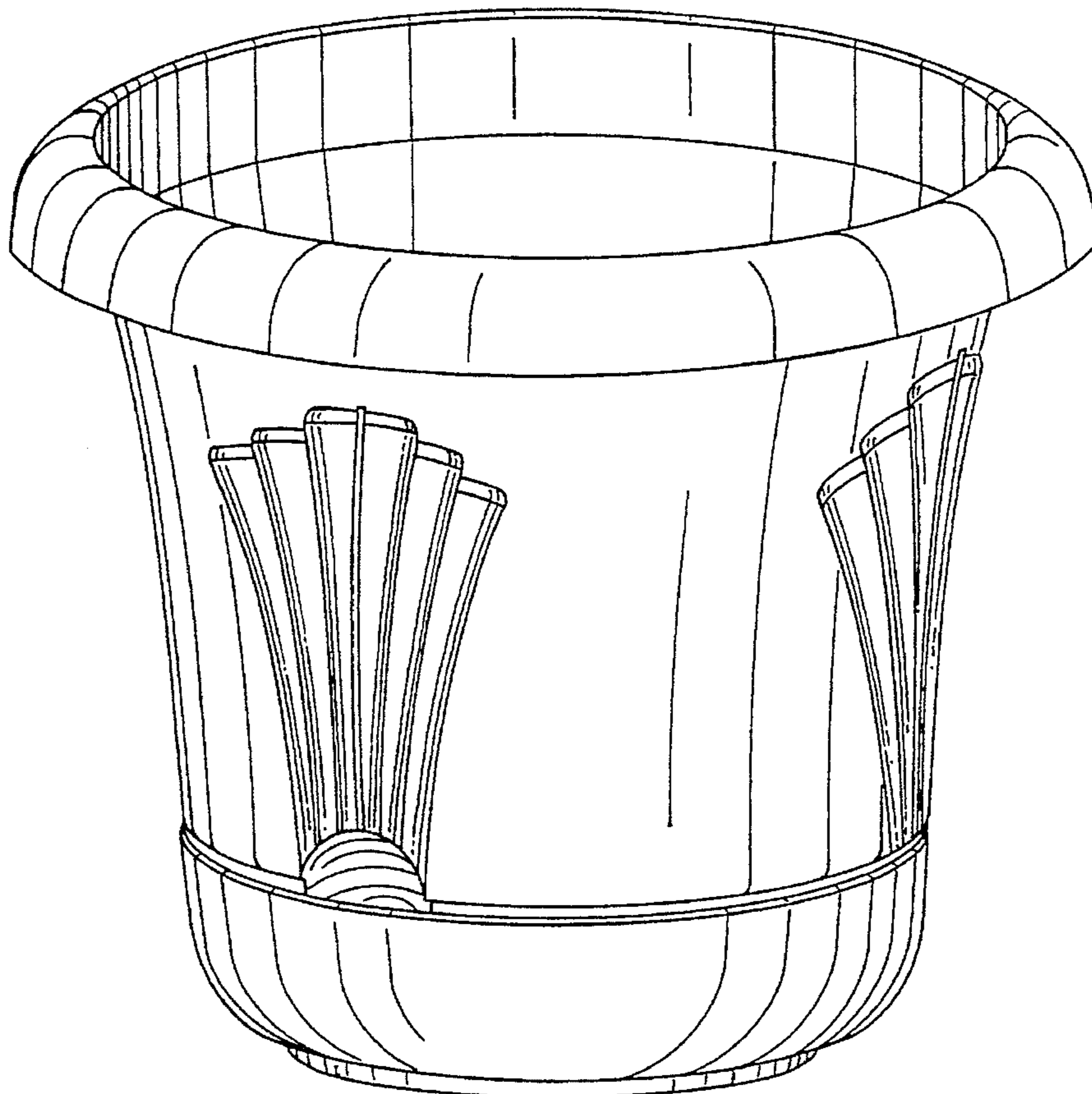


FIG. 1

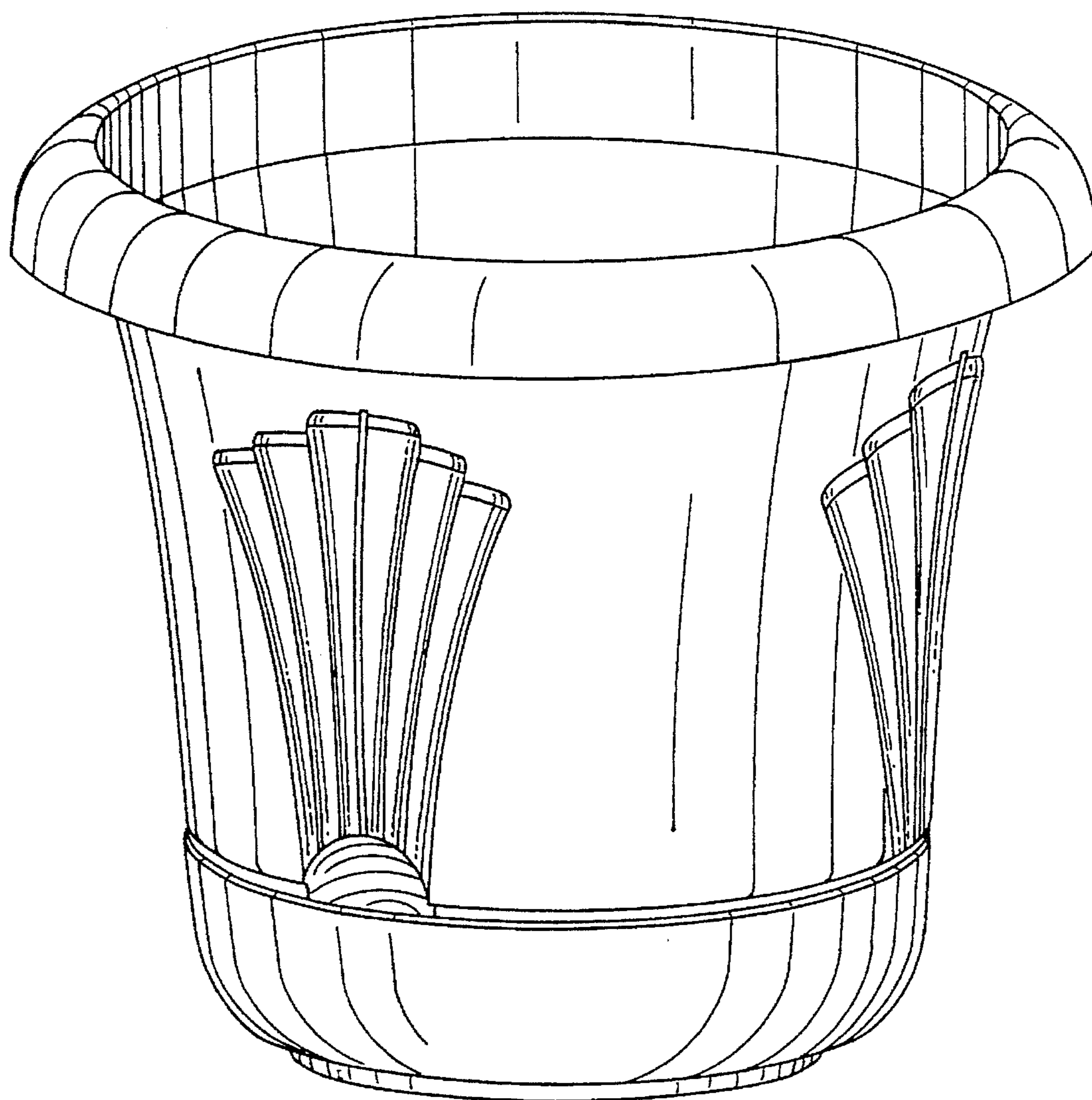


FIG. 2

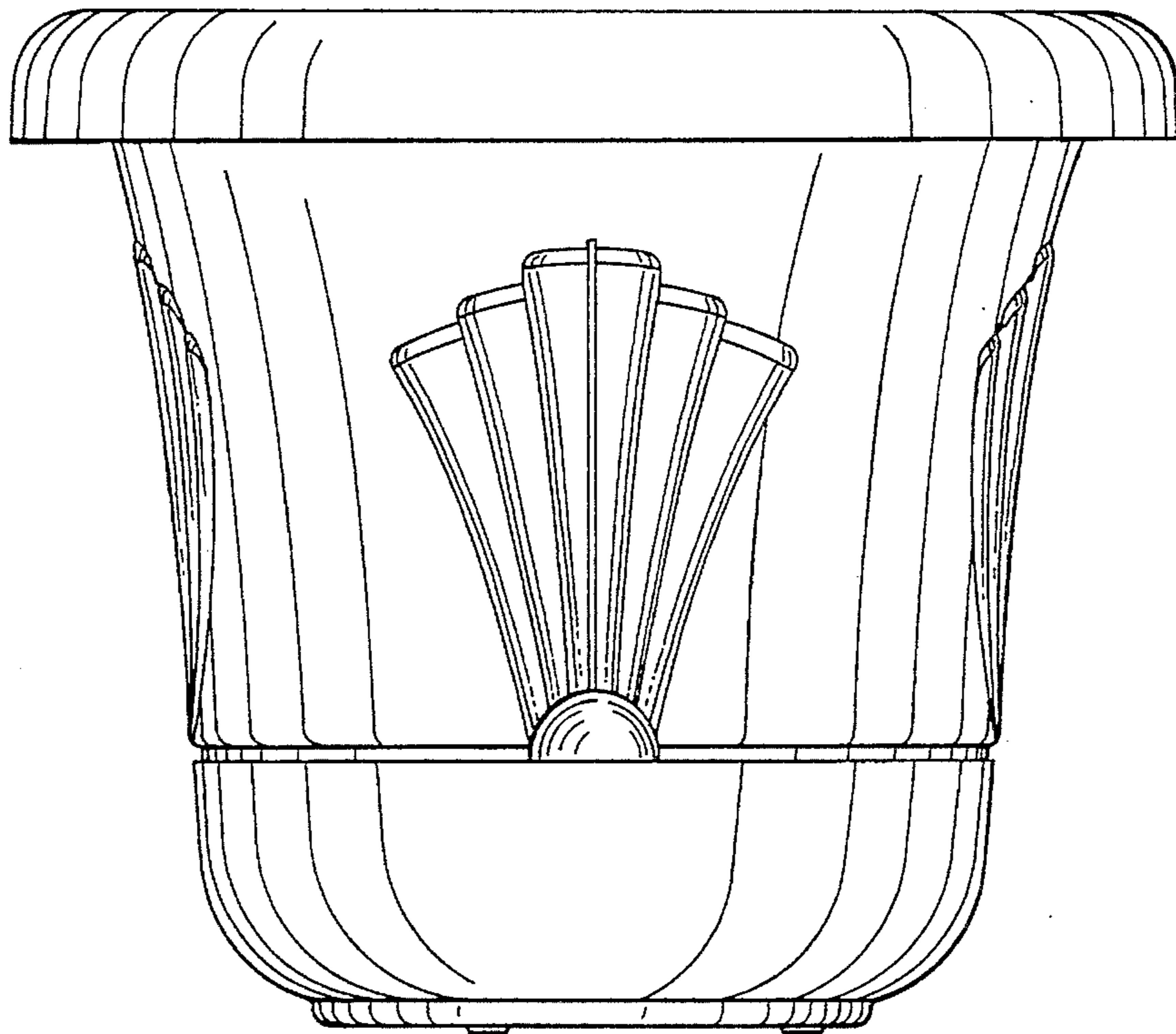


FIG. 3

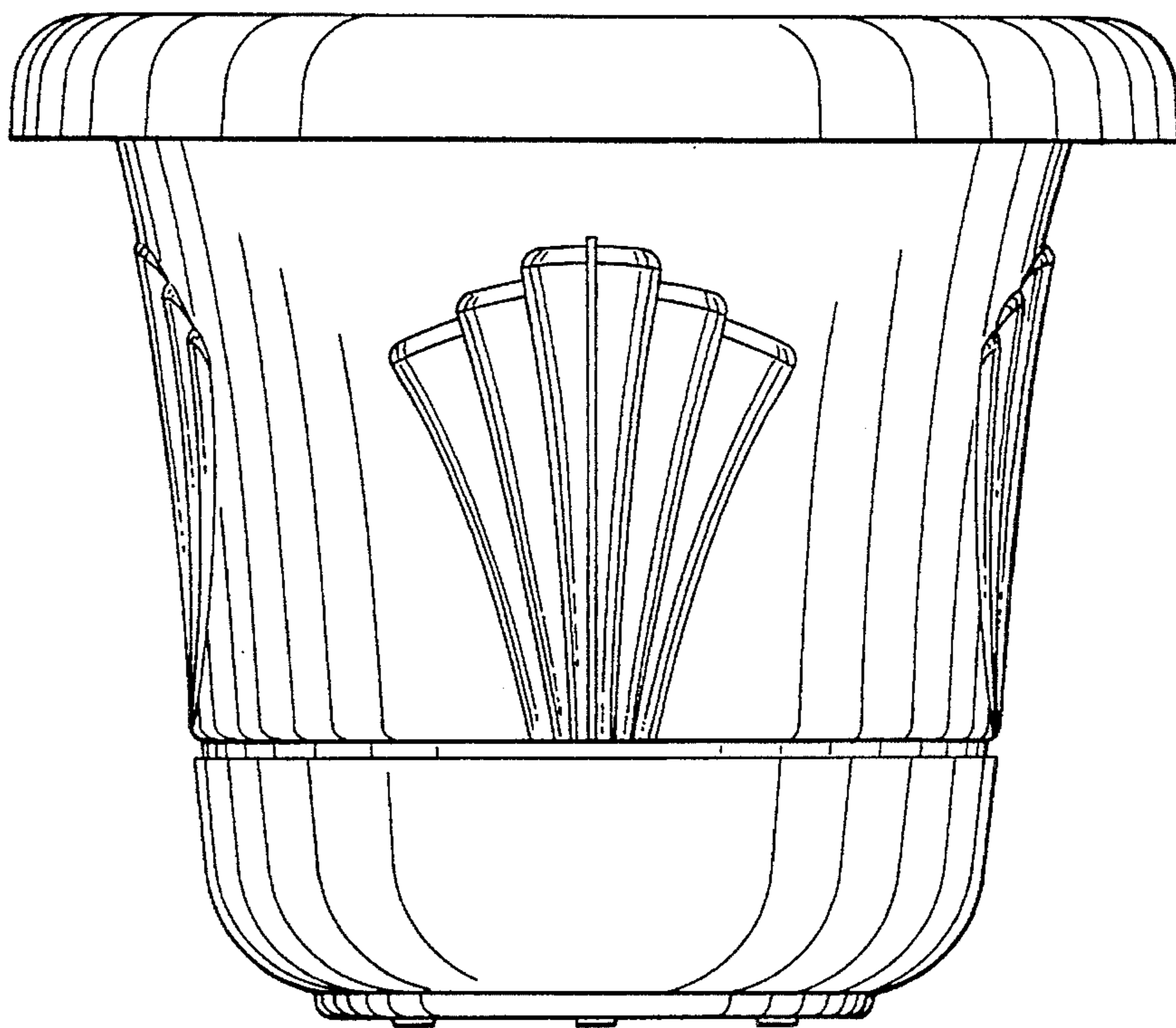


FIG. 4

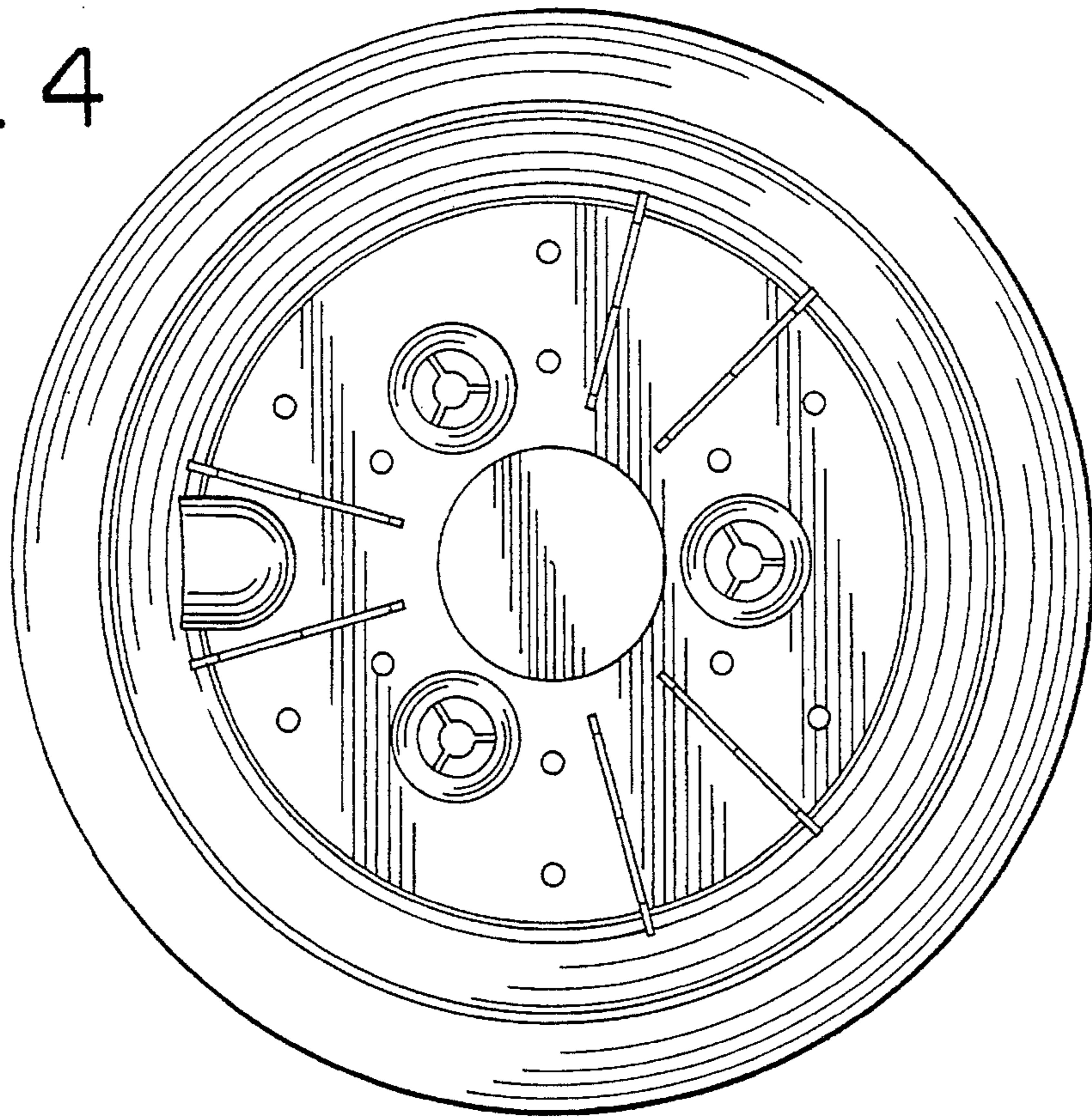


FIG. 5

