



US00D364356S

United States Patent [19]
Moore

[11] **Patent Number: Des. 364,356**

[45] **Date of Patent: **Nov. 21, 1995**

[54] **WALL MOUNTED CLOCK**

D. 353,104 12/1994 Moore D10/28
D. 358,996 6/1995 Mo D10/28

[75] Inventor: **Shan-Ker Moore**, Taichung Hsien,
Taiwan

Primary Examiner—Nelson C. Holtje
Attorney, Agent, or Firm—Beveridge, DeGrandi Weilacher
& Young

[73] Assignee: **Centre Clock Industry Co., Ltd.**,
Taichung Hsien, Taiwan

[57] **CLAIM**

[**] Term: **14 Years**

The ornamental design for wall mounted clock, as shown
and described.

[21] Appl. No.: **33,050**

DESCRIPTION

[22] Filed: **Jan. 4, 1995**

[52] **U.S. Cl.** **D10/29**

[58] **Field of Search** D10/1-40, 122-132;
368/276-277, 285, 316, 14 317

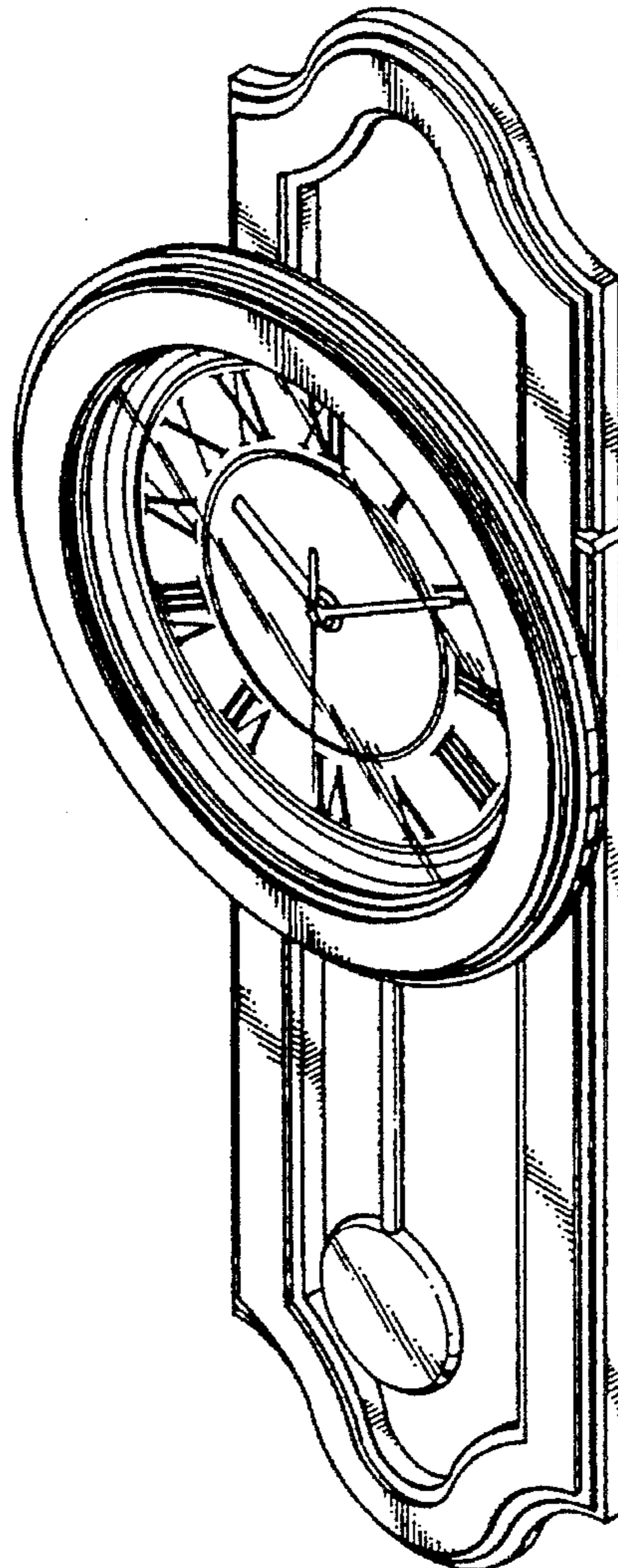
FIG. 1 is a front view of a wall mounted clock showing my
new design;
FIG. 2 is a back view thereof;
FIG. 3 is a left side view thereof;
FIG. 4 is a right side view thereof;
FIG. 5 is a top side view thereof;
FIG. 6 is a bottom side view thereof; and,
FIG. 7 is a perspective view thereof.

[56] **References Cited**

U.S. PATENT DOCUMENTS

D. 312,790 12/1990 Kato D10/26
D. 319,023 8/1991 Kato D10/28
D. 333,626 3/1993 Moore D10/21

1 Claim, 3 Drawing Sheets



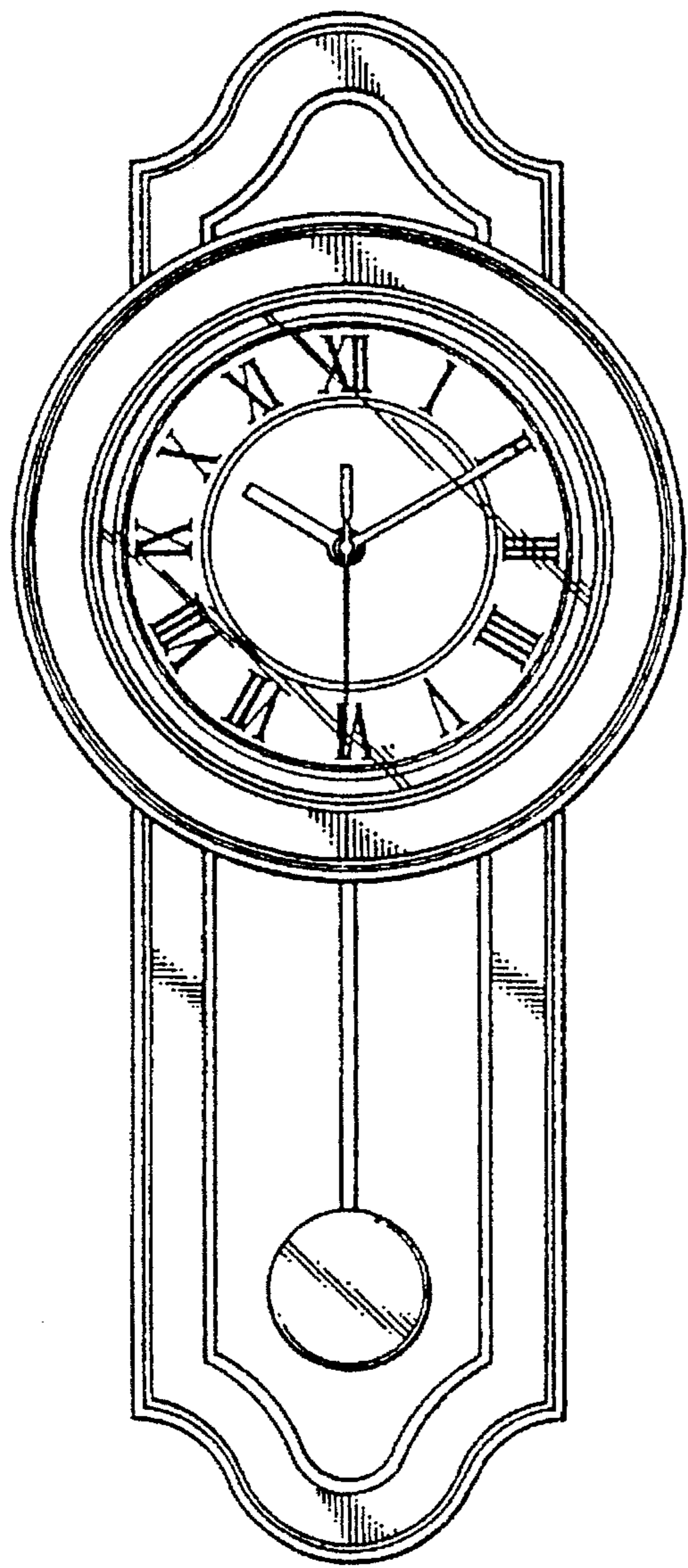


FIG. 1

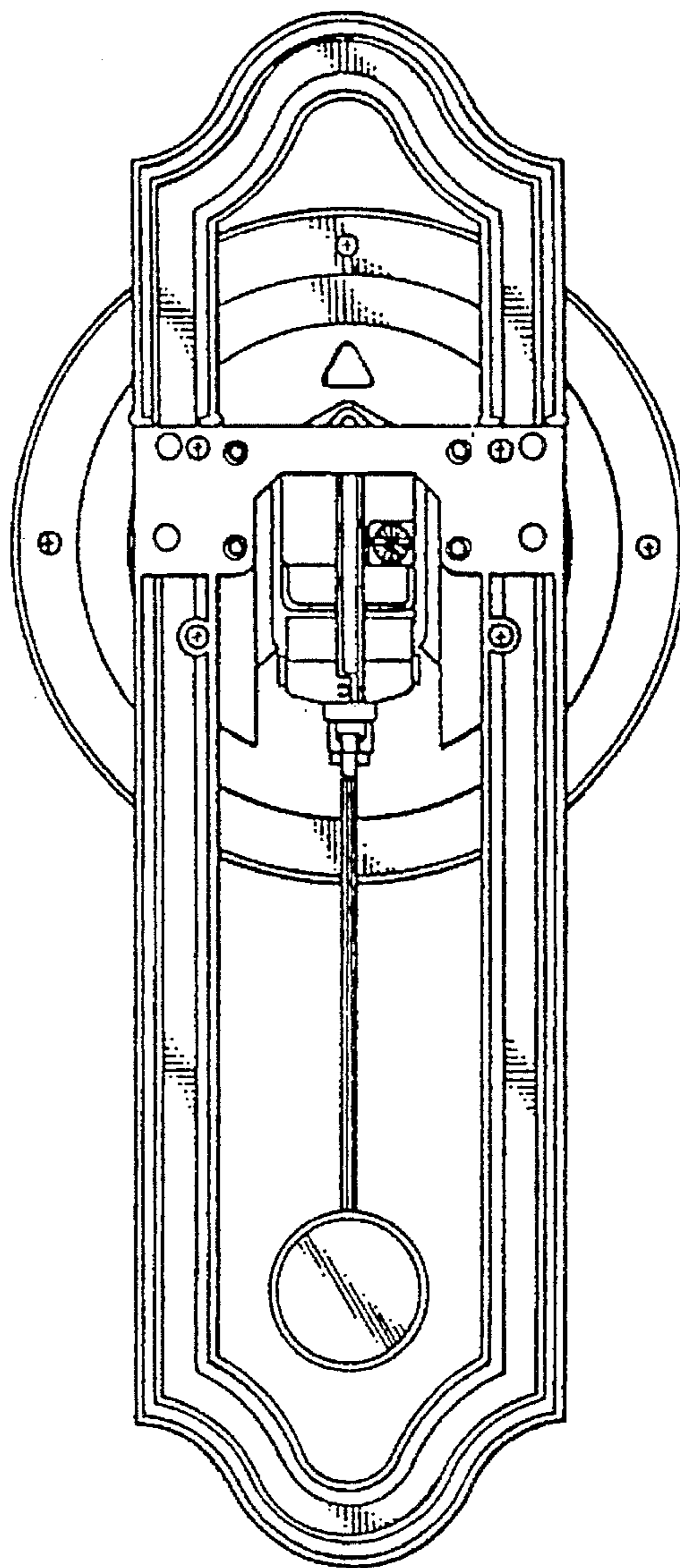


FIG. 2

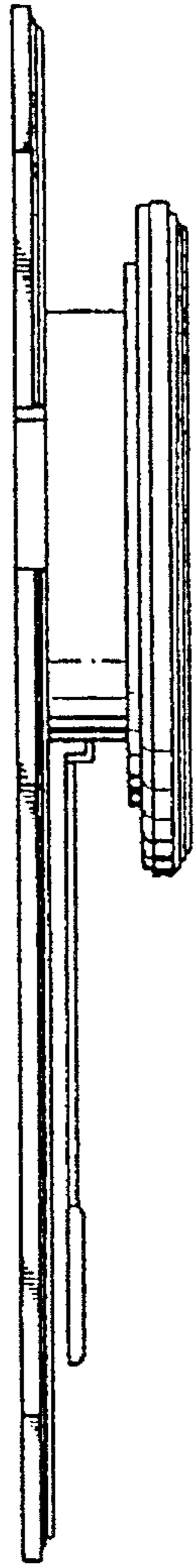


FIG. 3

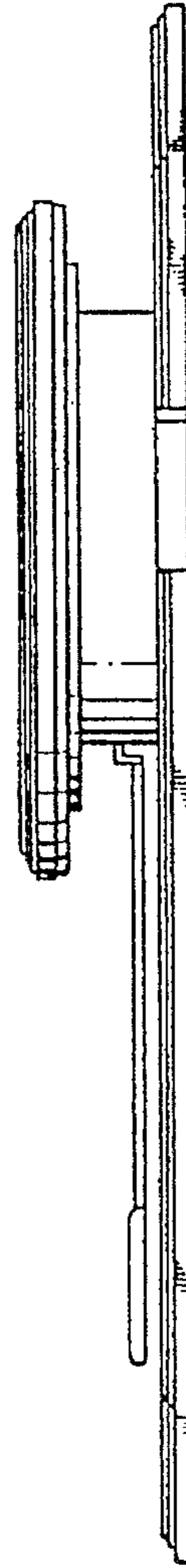


FIG. 4

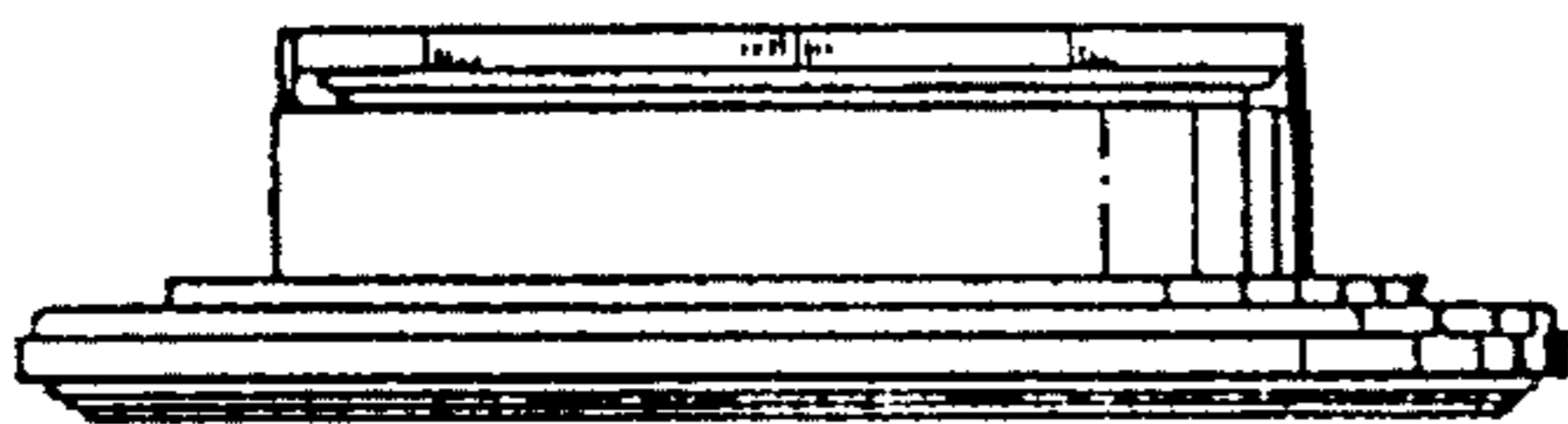


FIG. 5

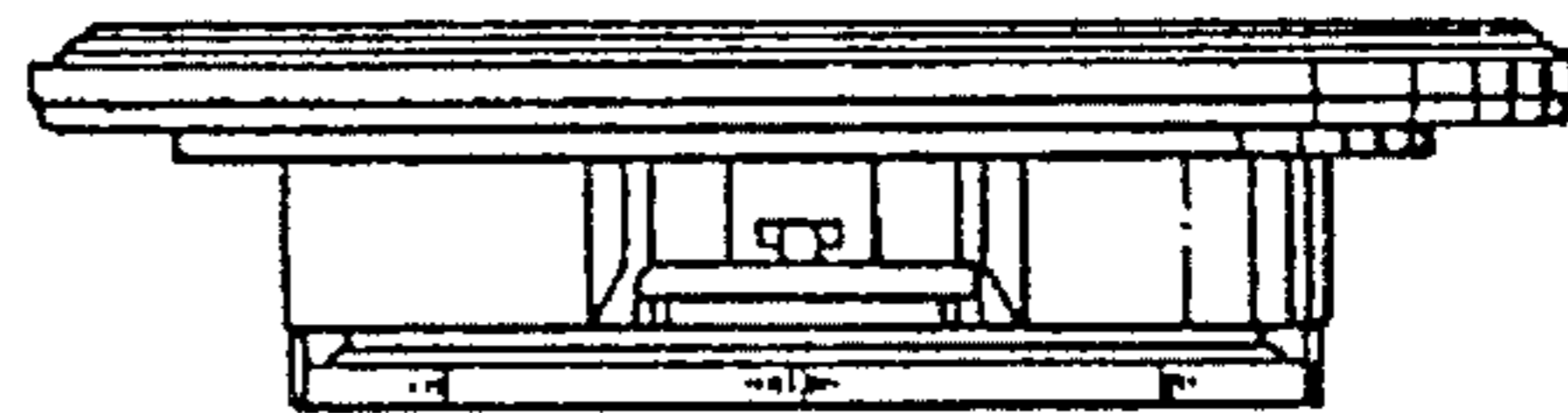


FIG. 6

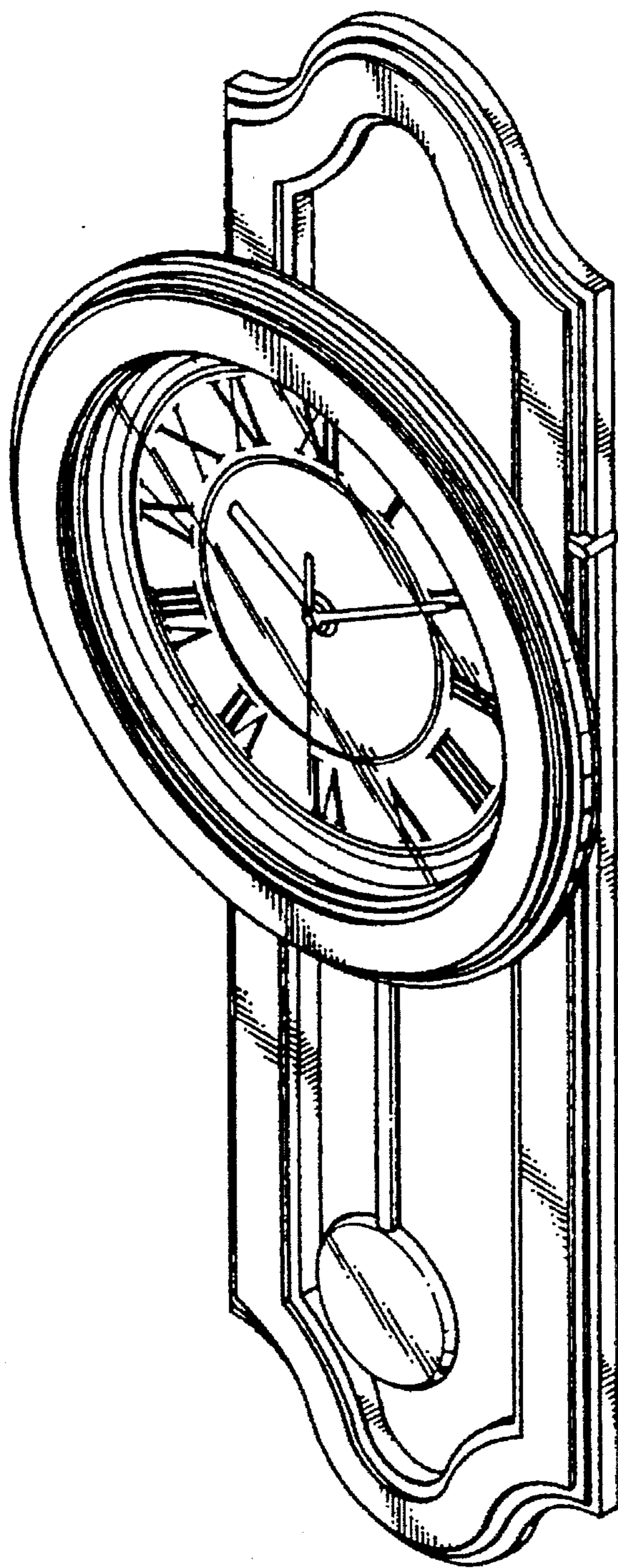


FIG. 7