



US00D364353S

United States Patent [19]
Staib

[11] **Patent Number:** **Des. 364,353**
[45] **Date of Patent:** ****Nov. 21, 1995**

[54] **CLOCK STAND**

Attorney, Agent, or Firm—Harvey S. Hertz

[76] Inventor: **Edward F. Staib**, 123 Avenida Pelayo,
#D, San Clemente, Calif. 92672-4640

[57] **CLAIM**

[**] Term: **14 Years**

The ornamental design for a clock stand, as shown and described.

[21] Appl. No.: **13,862**

DESCRIPTION

[22] Filed: **Oct. 4, 1993**

[52] U.S. Cl. **D10/128; D10/132**

FIG. 1 is a front elevational view of a clock stand showing my new design;

[58] Field of Search D10/1-40, 122-132;
D12/182; D20/15; 345/7; 368/316-317,
276-277, 285

FIG. 2 is a top plan view thereof;

[56] **References Cited**

FIG. 3 is a bottom plan view thereof;

U.S. PATENT DOCUMENTS

FIG. 4 is a rear elevational view thereof;

D. 163,594	6/1951	Gaiser	D12/182
D. 242,187	11/1976	Goss	D20/15
D. 267,239	12/1982	Allen	D10/132
D. 312,440	11/1990	Svensson	D12/182

FIG. 5 is a right side elevational view thereof; and,

FIG. 6 is a left side elevational view thereof.

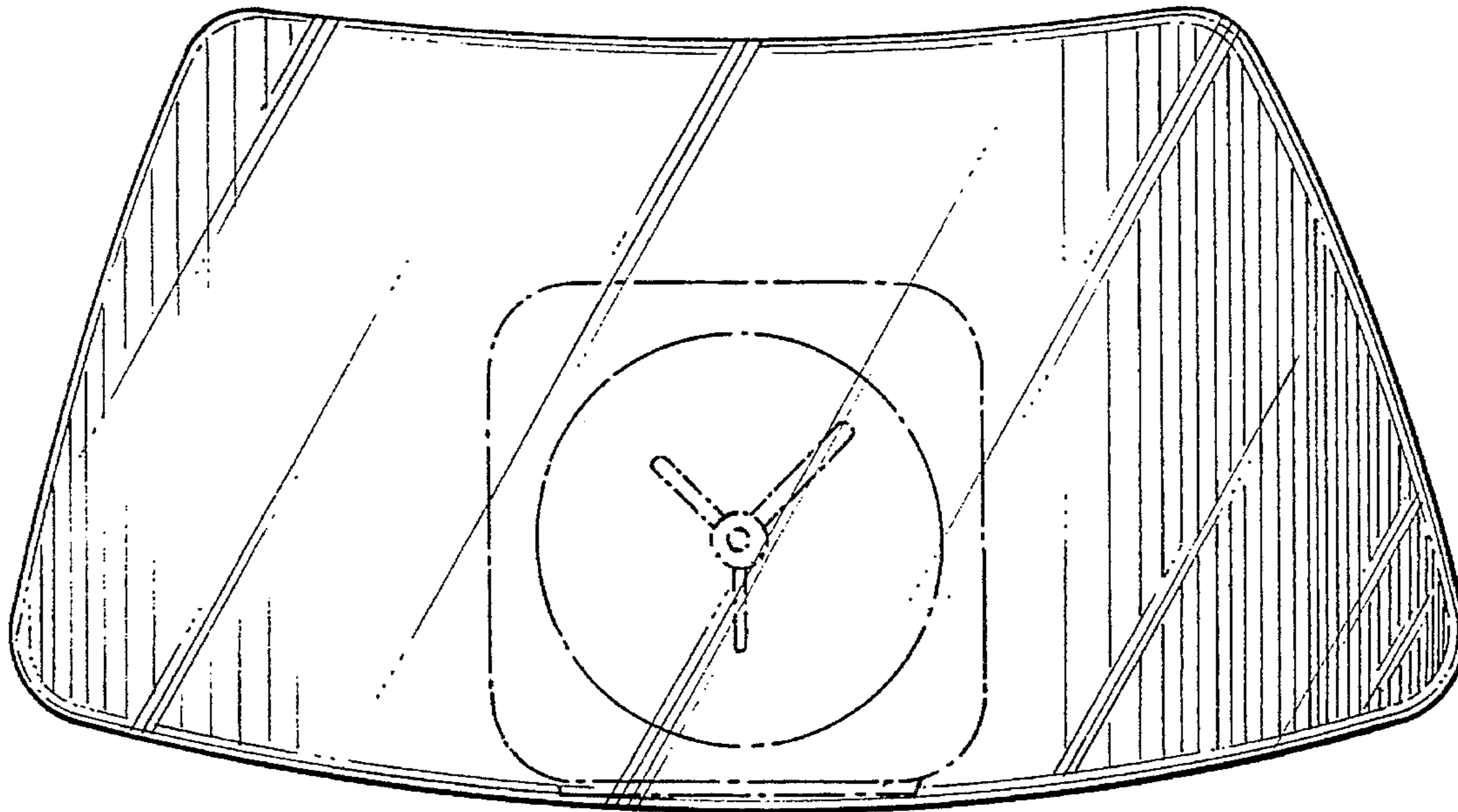
OTHER PUBLICATIONS

The broken line showings of a clock in all figures are environmental only and form no part of the claimed design.

J. C. Whitney Cat. (New for 1986)—p. 125—Mirror—shape at Middle—Left.

Primary Examiner—Nelson C. Holtje

1 Claim, 2 Drawing Sheets



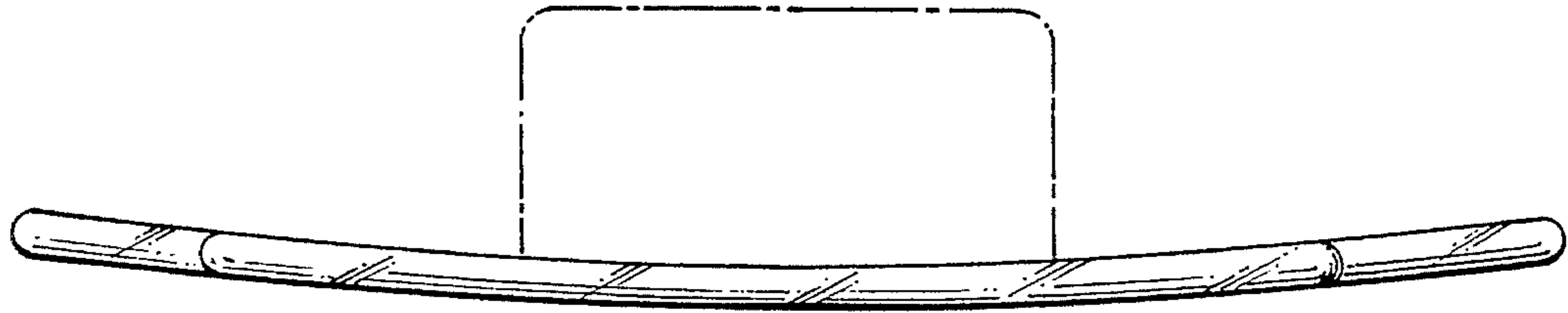


FIG. 2

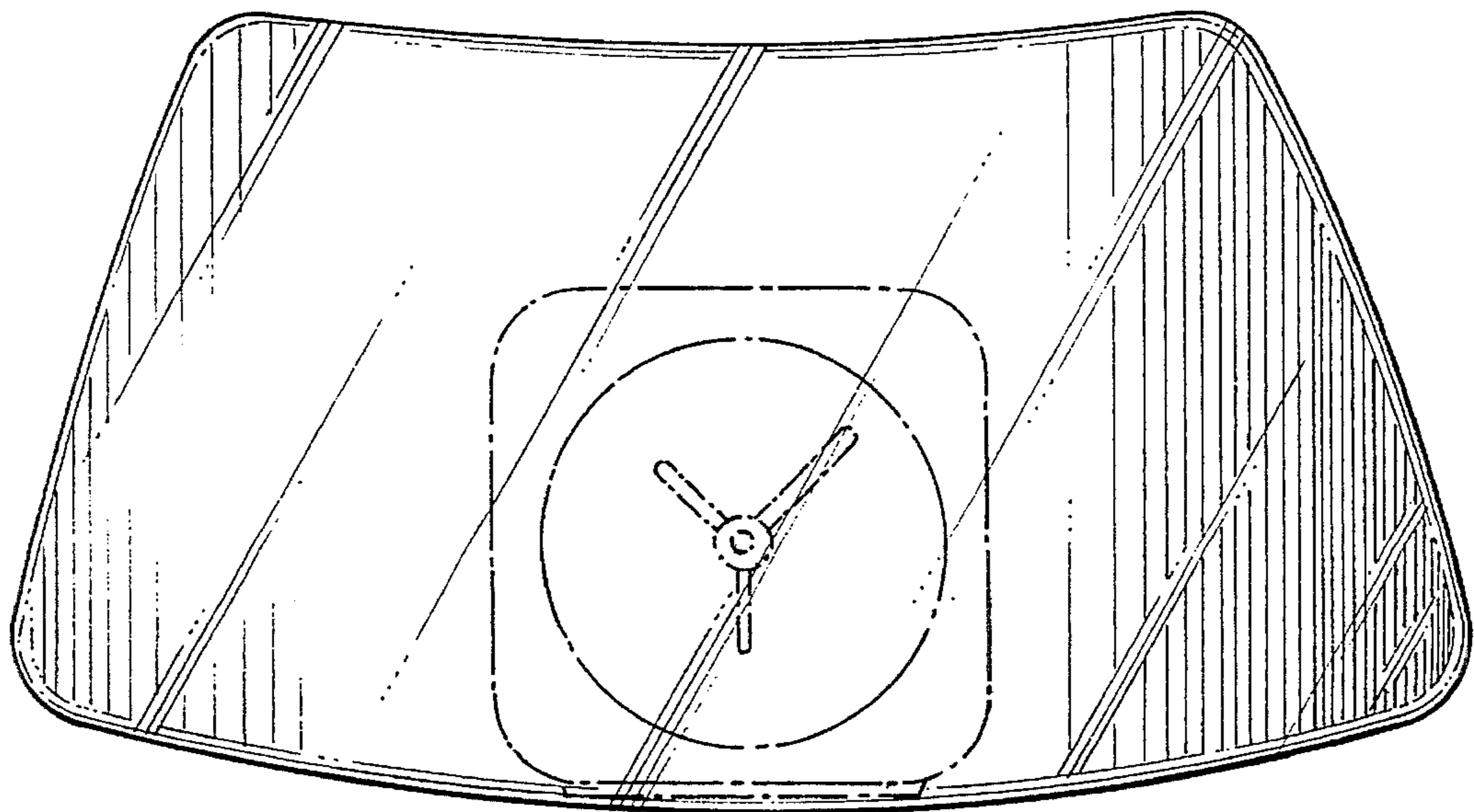


FIG. 1

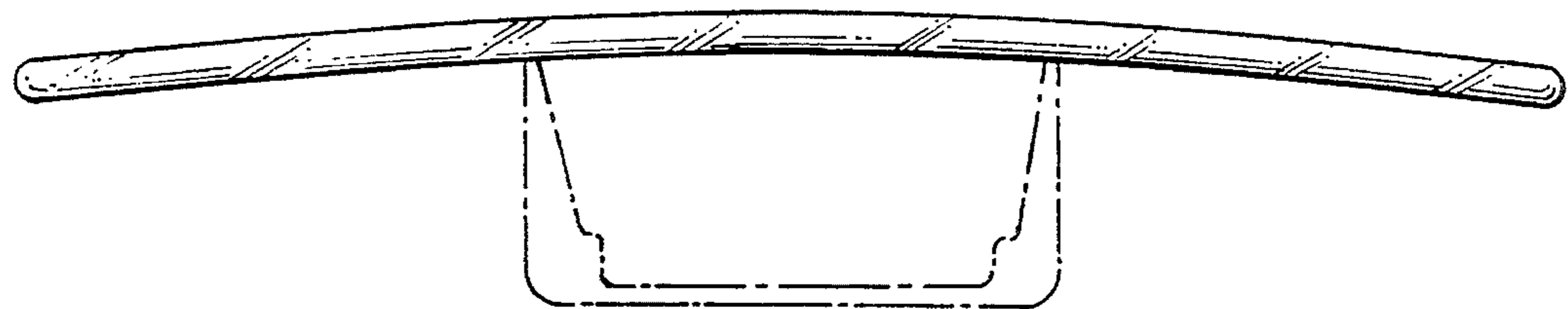


FIG. 3

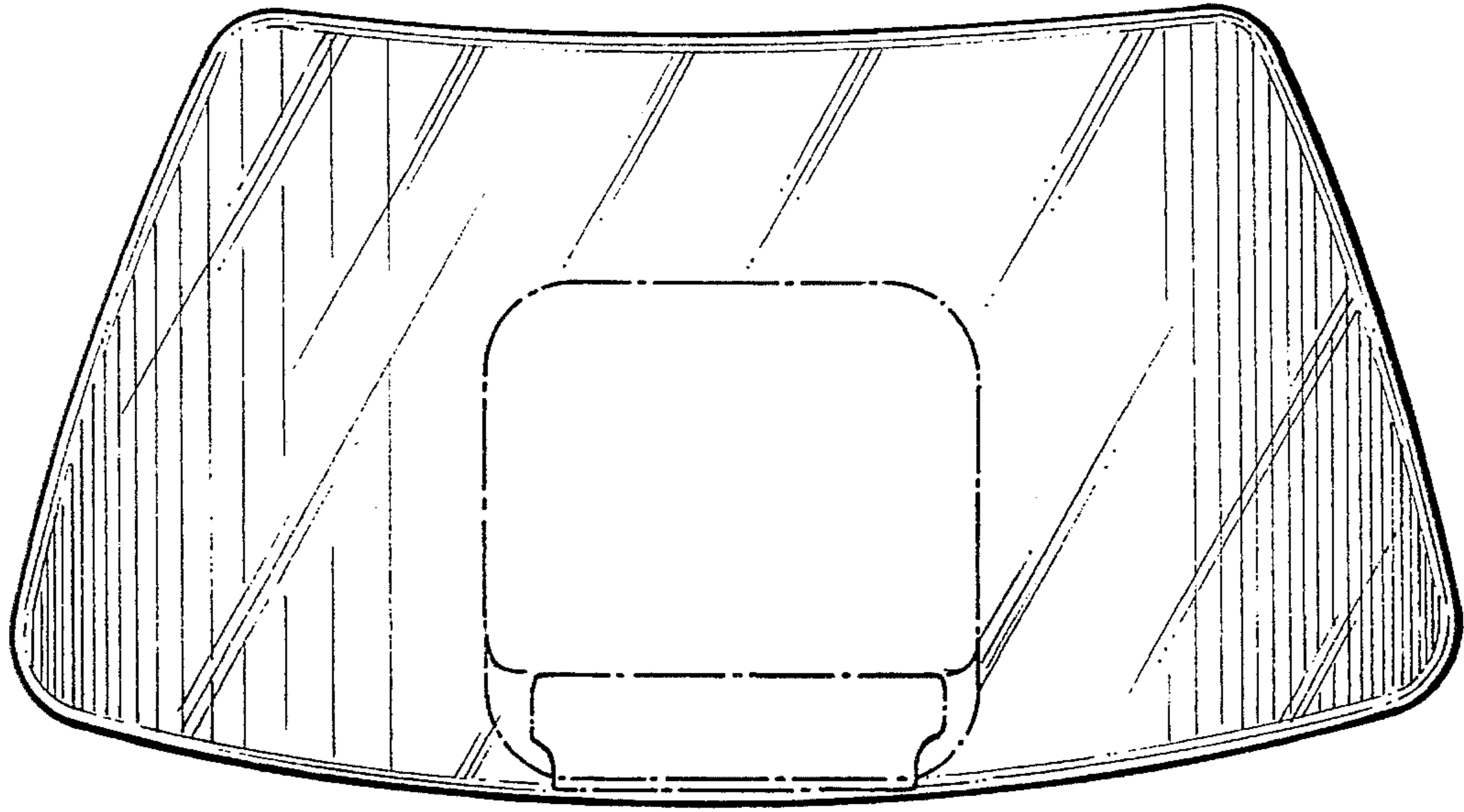


FIG. 4

FIG. 5

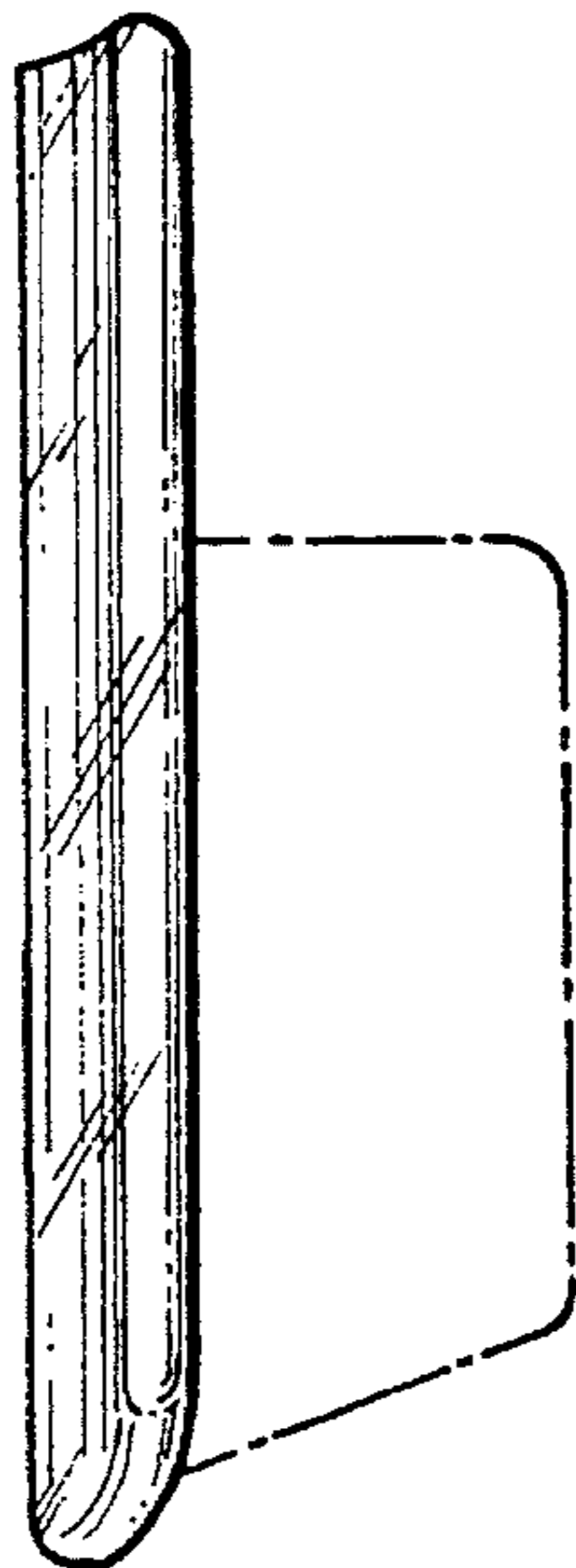


FIG. 6

