



US00D364351S

United States Patent [19]

Van Meter et al.

[11] Patent Number: **Des. 364,351**

[45] Date of Patent: ****Nov. 21, 1995**

[54] **COLLAR HOUSING FOR A ROTOR-STATOR ADAPTOR FOR SENSITIVE ROTATING VISCOMETERS**

[75] Inventors: **John L. Van Meter; Kevin J. Wolfe; Gregory C. Miiller; Theodore W. Selby**, all of Midland, Mich.

[73] Assignee: **Tannas Co.**, Midland, Mich.

[**] Term: **14 Years**

[21] Appl. No.: **30,792**

[22] Filed: **Nov. 8, 1994**

Related U.S. Application Data

[63] Continuation-in-part of Ser. No. 308,918, Sep. 20, 1994.
[52] U.S. Cl. **D10/80; D10/96**
[58] Field of Search **D10/46, 80, 96; D8/373, 376; 73/54.28, 54.33, 54.35**

[56] References Cited

U.S. PATENT DOCUMENTS

D. 306,689 3/1990 Hamann D8/373 X
4,648,263 3/1987 Deysarkar et al. 73/59
5,369,988 12/1994 Selby 73/54.28

OTHER PUBLICATIONS

VWR Scientific; Saybolt Viscosity Tube; ©1989/90; p. 1053. Ser. No. 08/308918 filed Sep. 20, 1994, "Rotor-Stator Adapter for Sensitive Rotating Viscometers."

Primary Examiner—Antoine Duval Davis
Attorney, Agent, or Firm—Christopher John Rudy

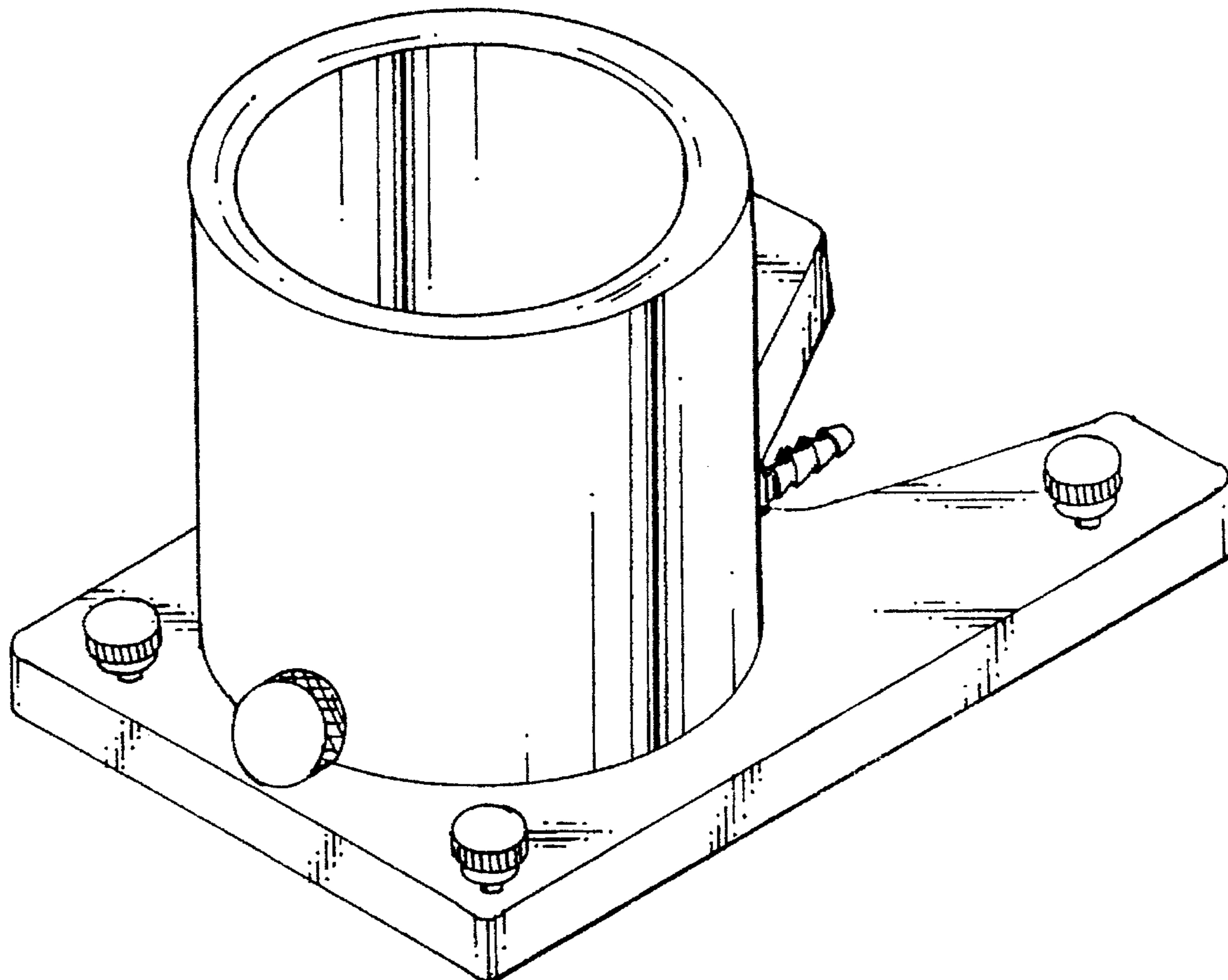
[57] CLAIM

The ornamental design for a collar housing for a rotor-stator adaptor for sensitive rotating viscometers, as shown and described.

DESCRIPTION

FIG. 1 is a front view of a collar housing for a rotor-stator adaptor for sensitive rotating viscometers showing our new design;
FIG. 2 is a back view thereof;
FIG. 3 is a side view thereof, the other side being essentially the same;
FIG. 4 is a top view thereof;
FIG. 5 is a bottom view thereof;
FIG. 6 is a perspective view thereof; and,
FIG. 7 is a top view of another embodiment thereof, front, back, side, bottom, and perspective views being akin appropriately to FIGS. 1-3, 5 & 6 but for this embodiment, having a generally rectangular top profile to its plate.

1 Claim, 3 Drawing Sheets



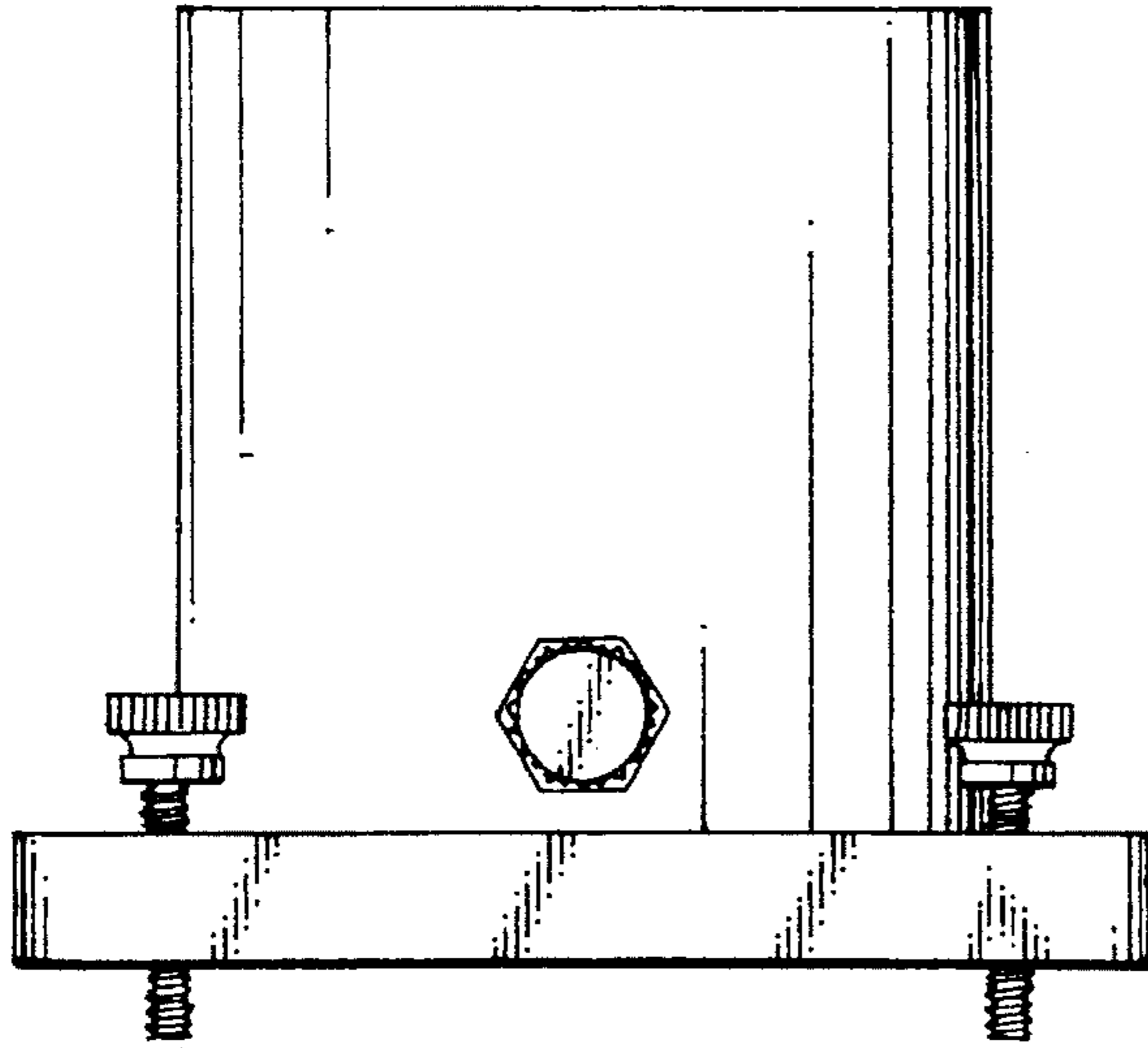


Fig. 1

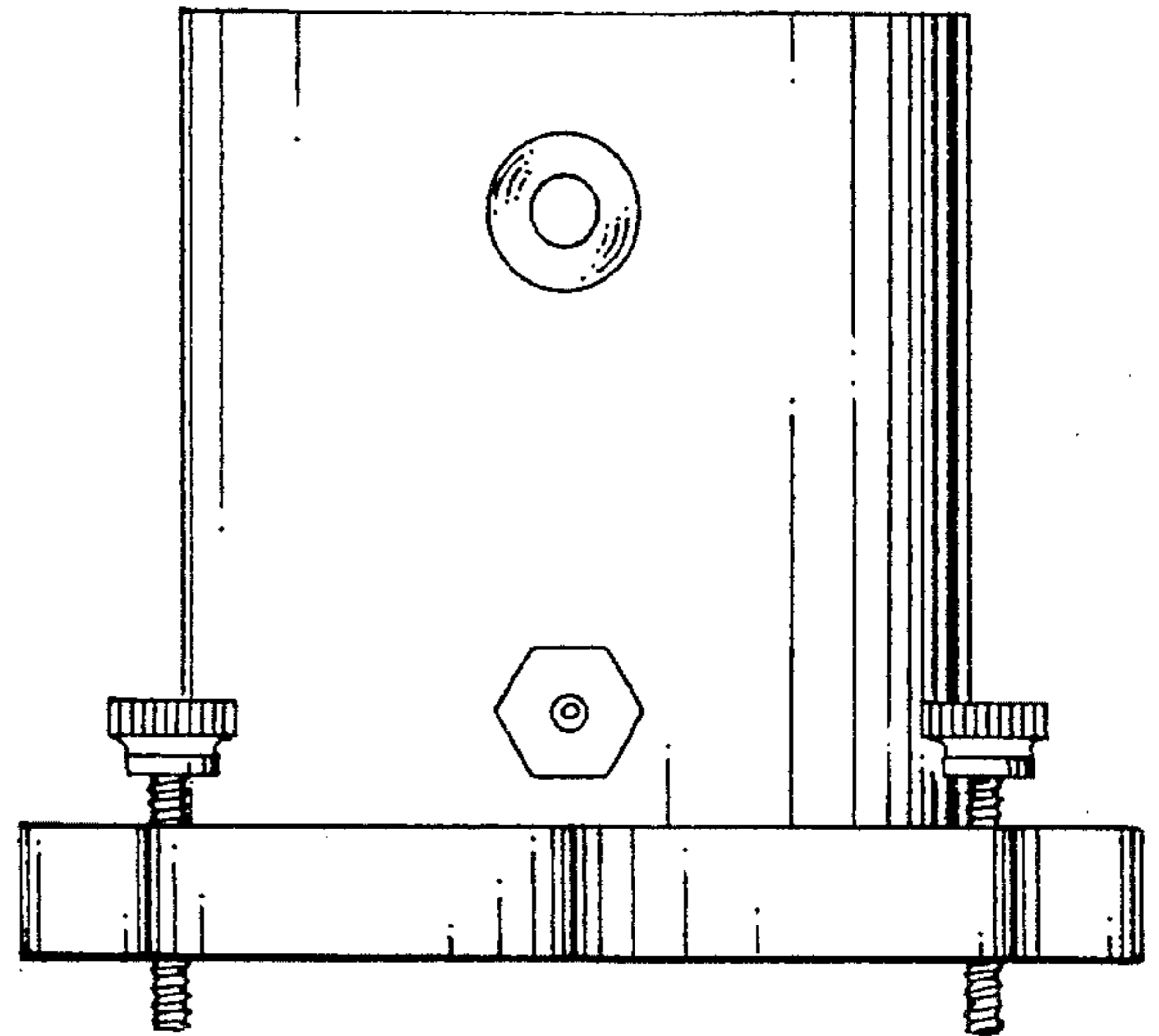


Fig. 2

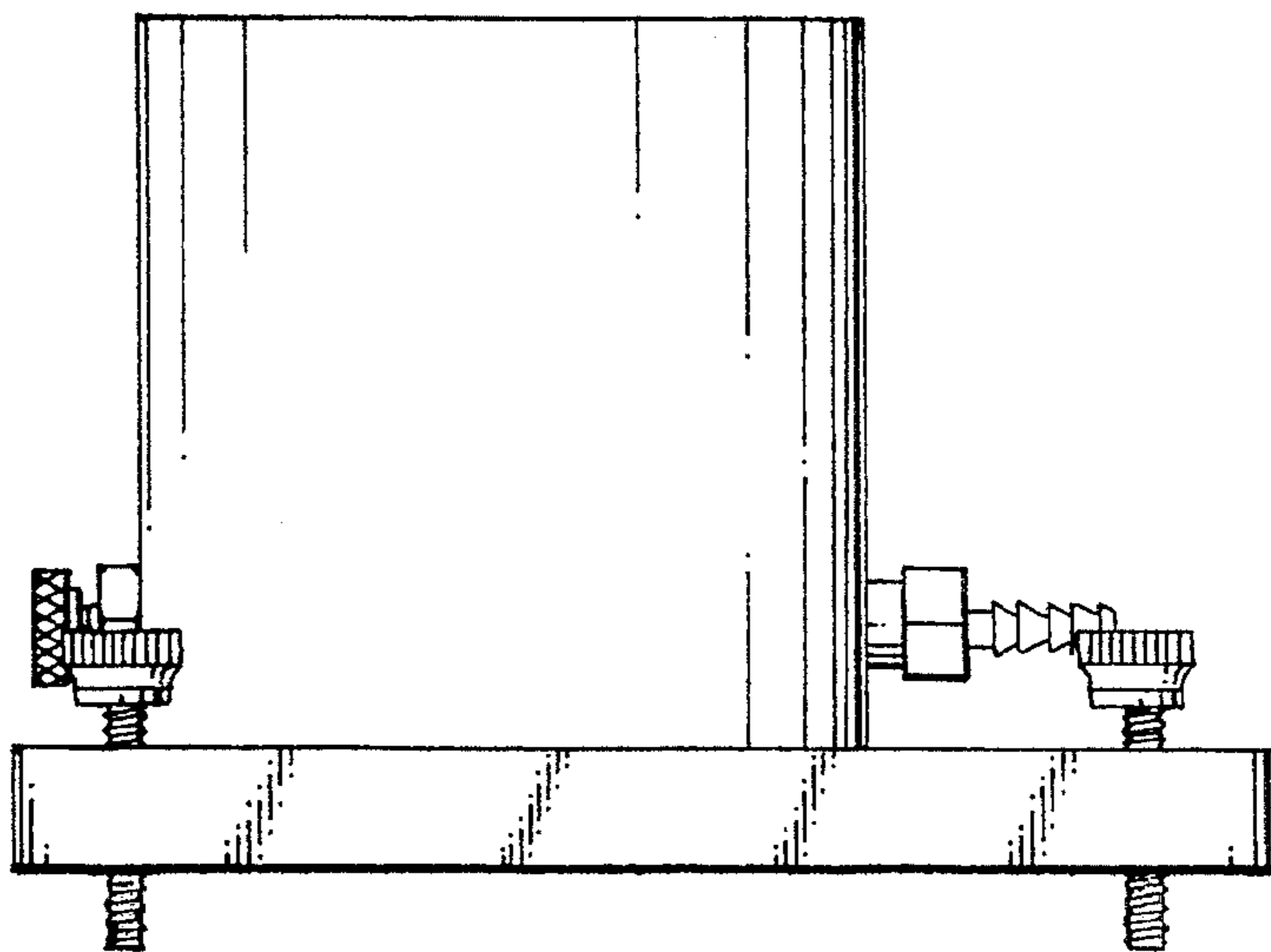


Fig. 3

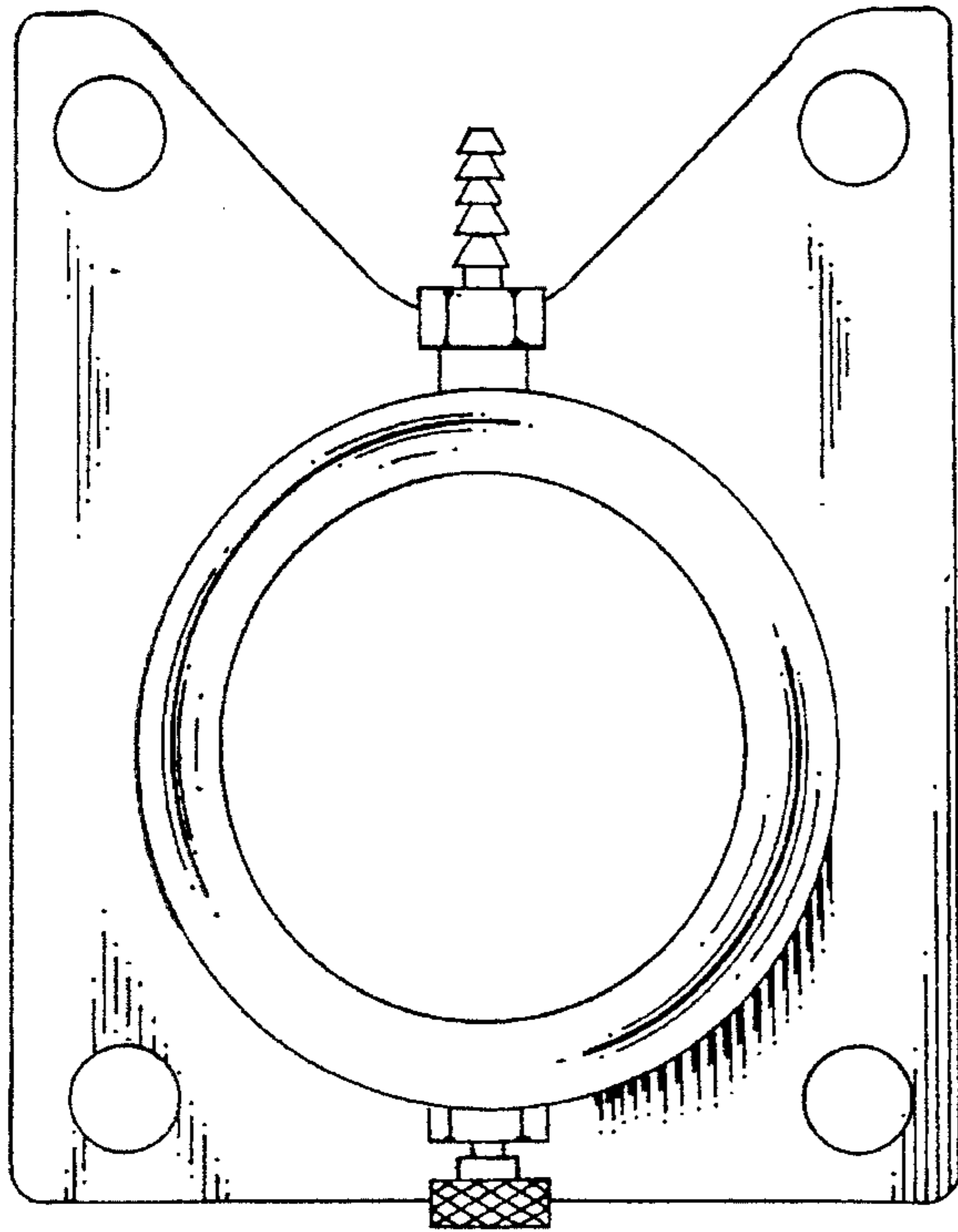


Fig. 4

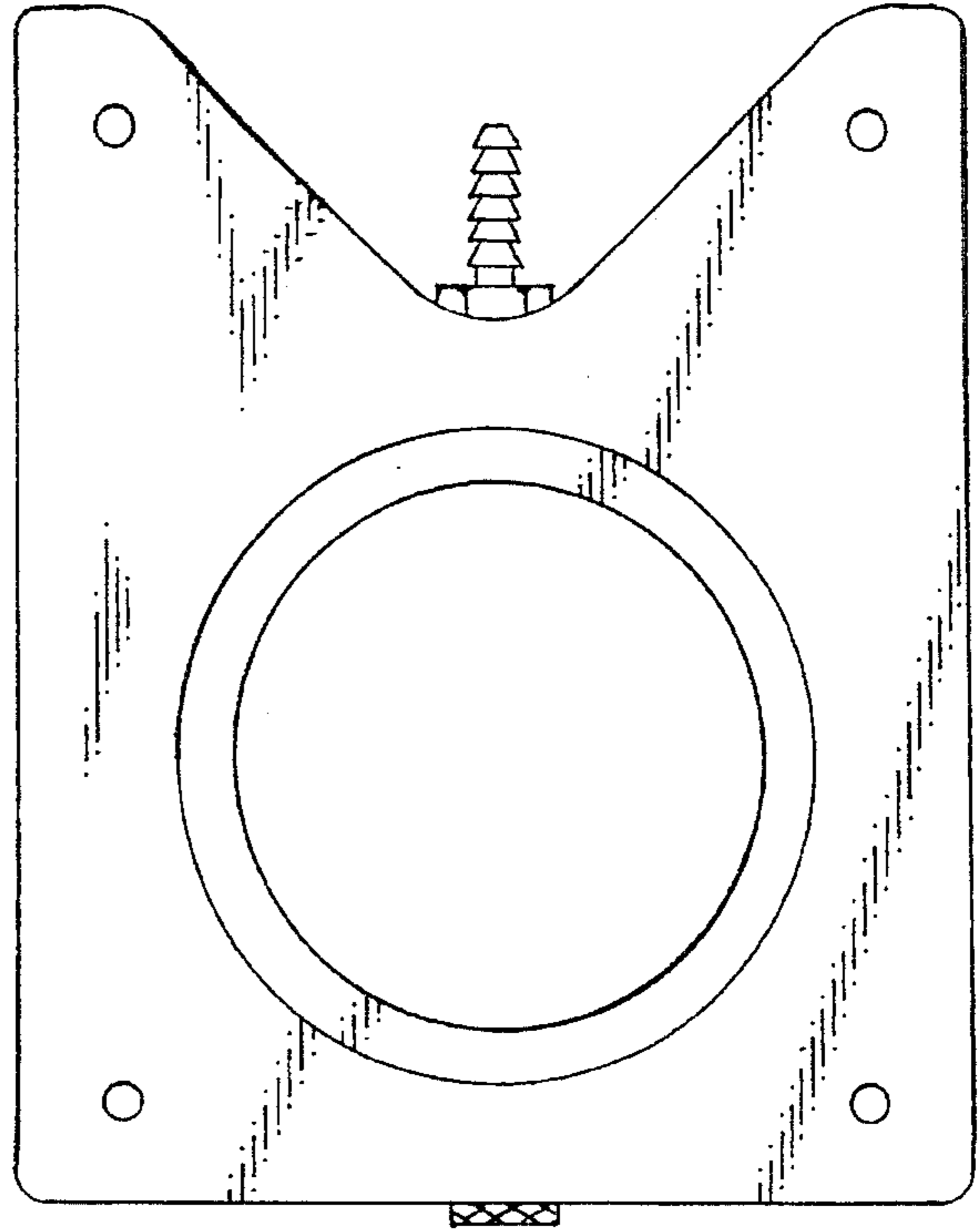


Fig. 5

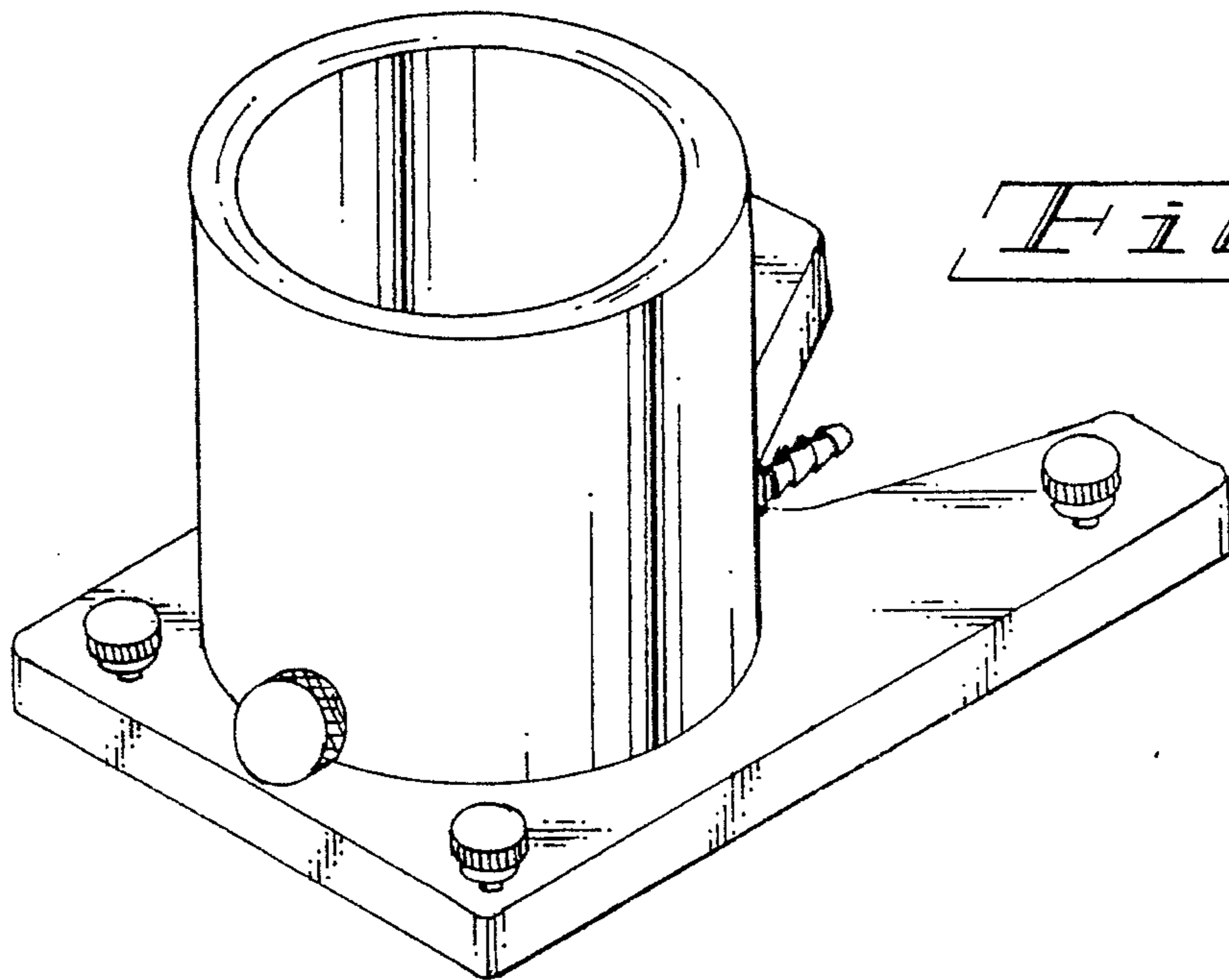


Fig. 6

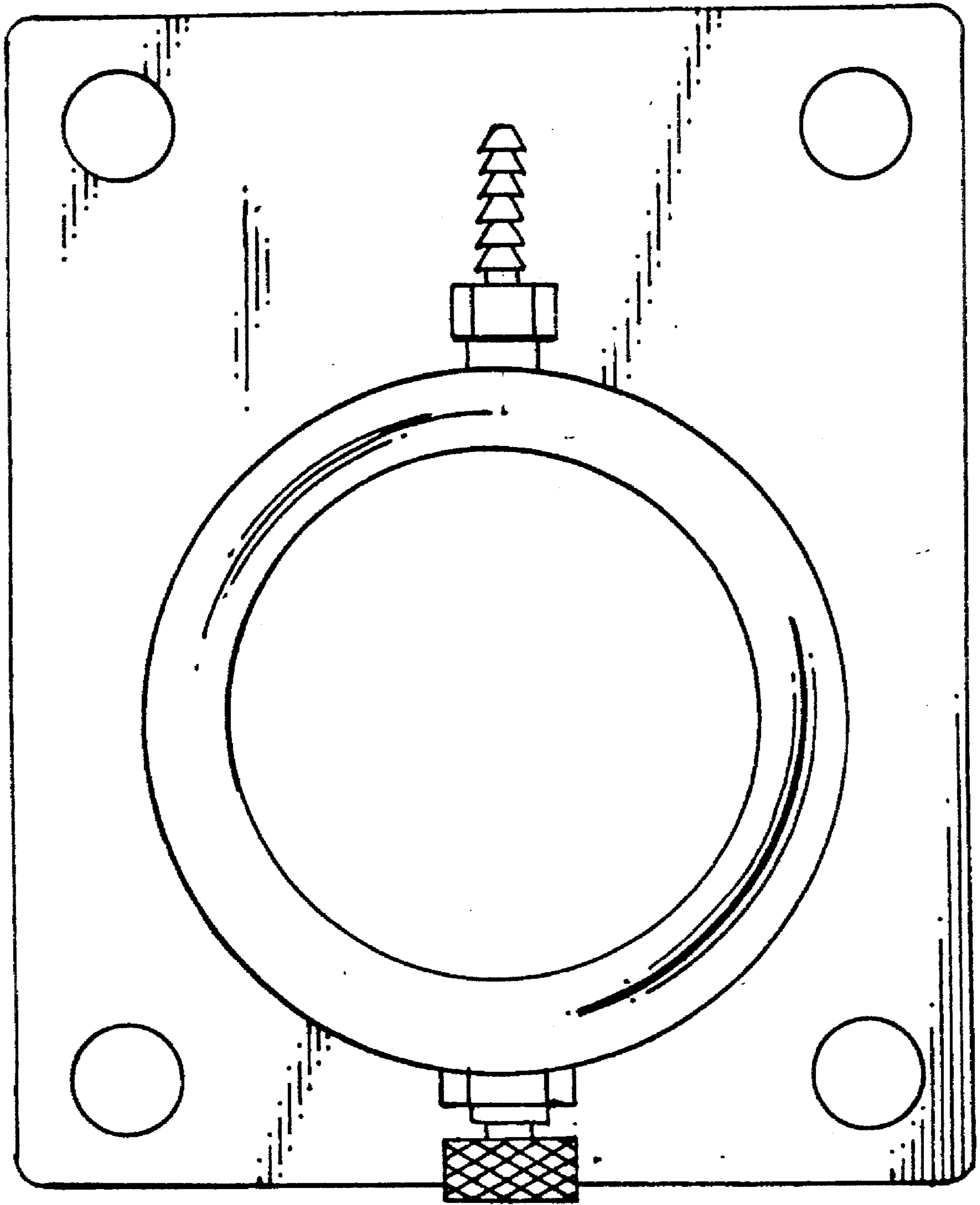


FIG. 7