



US00D364346S

United States Patent [19]

[11] **Patent Number: Des. 364,346**

Yamada

[45] **Date of Patent: **Nov. 21, 1995**

[54] **WRAPPING FOR AUDIO CASSETTE TAPE BOX**

4,782,956	11/1988	Yoshizawa	206/497 X
5,103,978	4/1992	Secor	206/387.1
5,129,518	6/1992	Tanaka et al.	206/497

[75] Inventor: **Masato Yamada**, Tokyo, Japan

Primary Examiner—Ted Shooman
Assistant Examiner—Nanda Bondade
Attorney, Agent, or Firm—Cooper & Dunham

[73] Assignee: **Sony Corporation**, Tokyo, Japan

[**] Term: **14 Years**

[57] **CLAIM**

[21] Appl. No.: **31,894**

The ornamental design for wrapping for audio cassette tape box, as shown and described.

[22] Filed: **Dec. 8, 1994**

[52] U.S. Cl. **D9/432**

DESCRIPTION

[58] **Field of Search** D9/346, 414, 418,
D9/432, 433; 206/232, 387.1, 387.13, 434,
497, 524.3

FIG. 1 is a top plan view of a wrapping for audio cassette tape box showing my new design;
FIG. 2 is a left-side elevational view thereof;
FIG. 3 is a front elevational view thereof;
FIG. 4 is a right-side elevational view thereof;
FIG. 5 is a bottom plan view thereof;
FIG. 6 is a rear elevational view thereof; and,
FIG. 7 is a top, front and left-side perspective view thereof.

[56] **References Cited**

U.S. PATENT DOCUMENTS

D. 275,654	9/1984	Yoshizawa	D9/432
D. 282,444	2/1986	Yoshizawa	D9/432
D. 282,445	2/1986	Yoshizawa	D9/432
D. 319,589	9/1991	Lee	D9/432

1 Claim, 3 Drawing Sheets

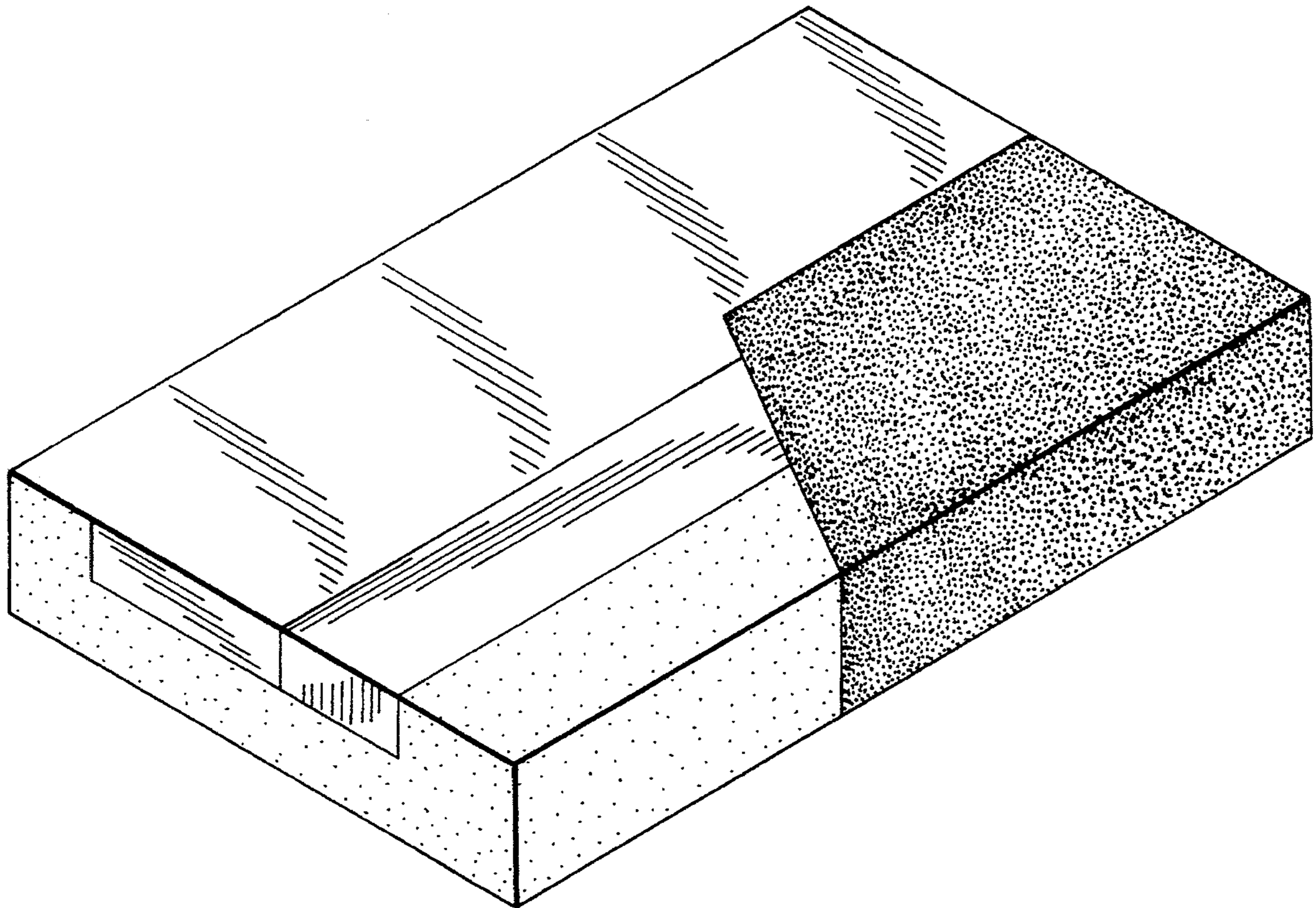


FIG. 1

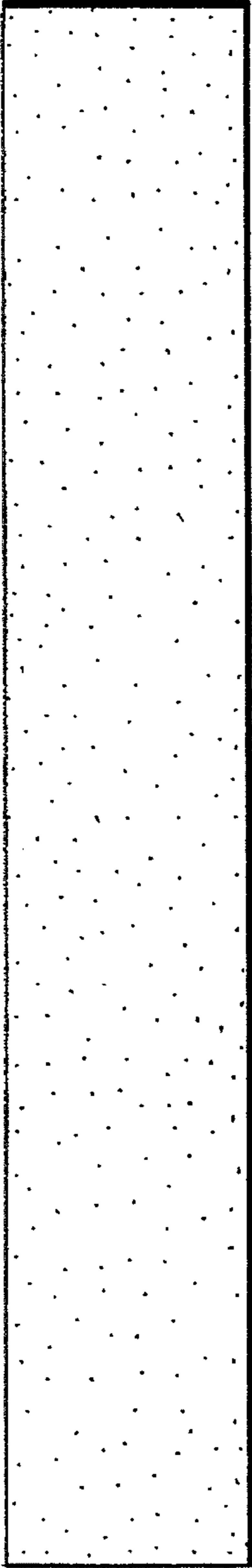


FIG. 3

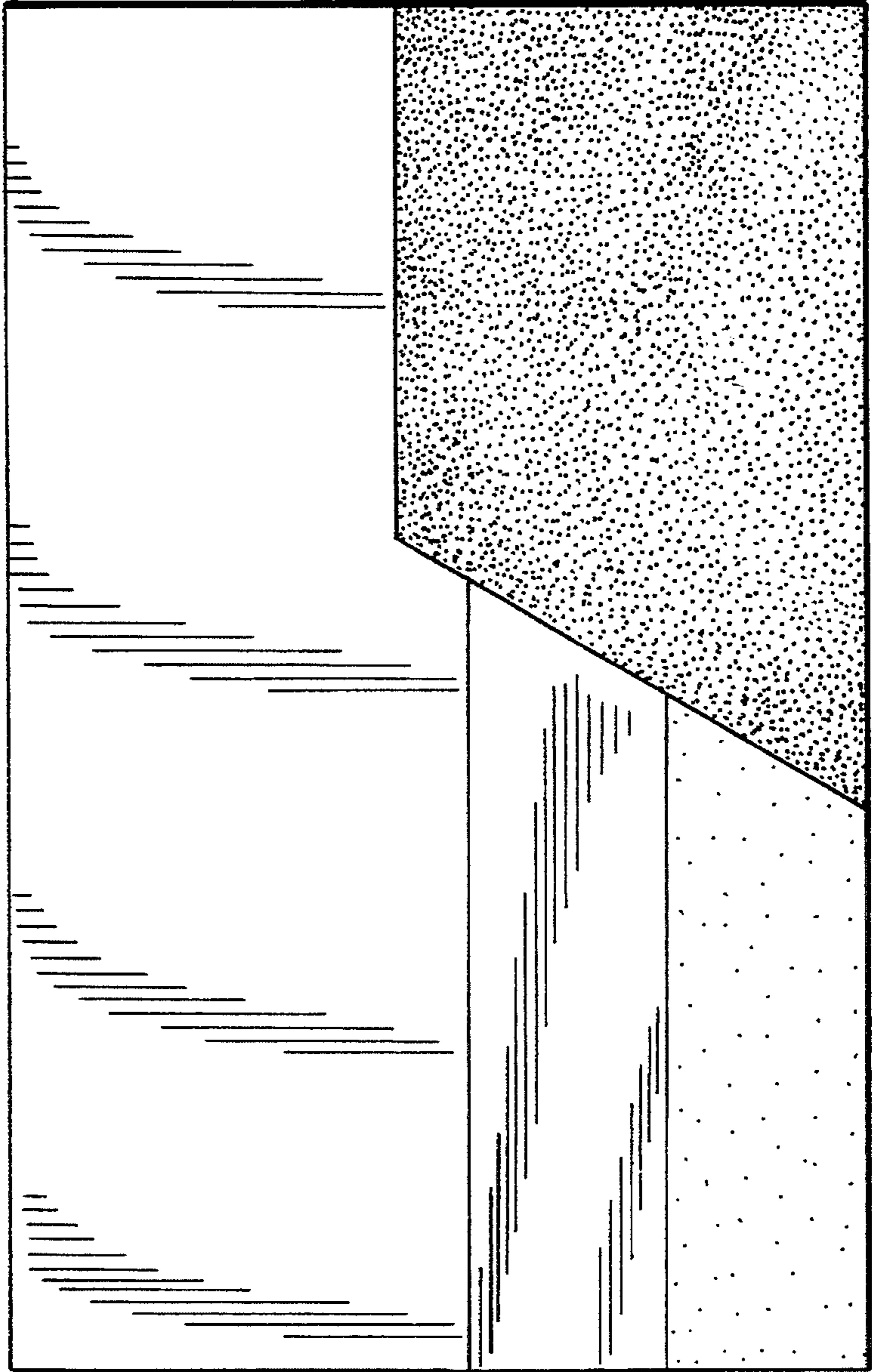


FIG. 2

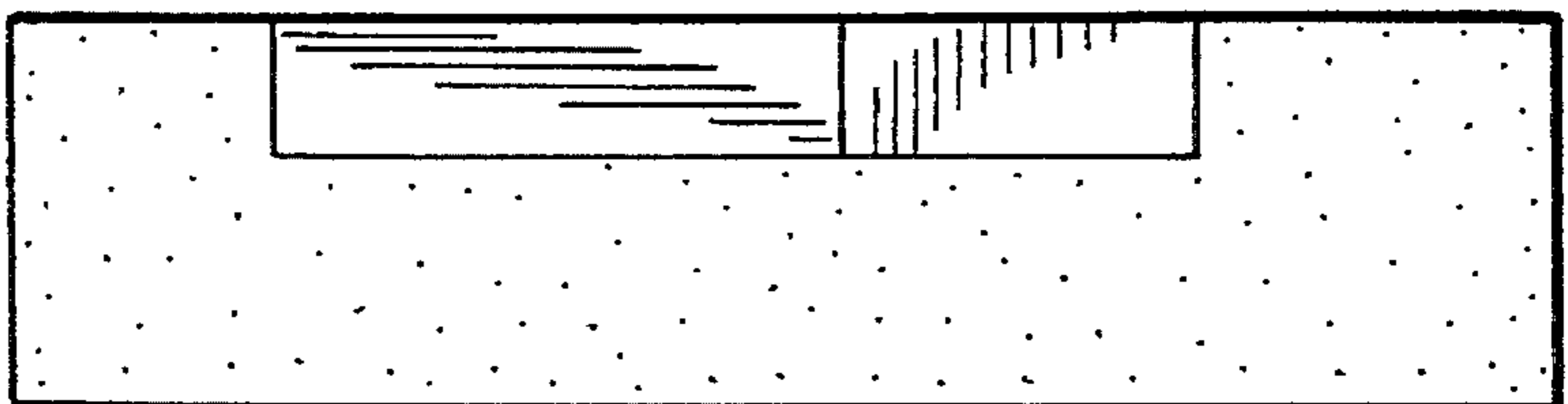


FIG. 5

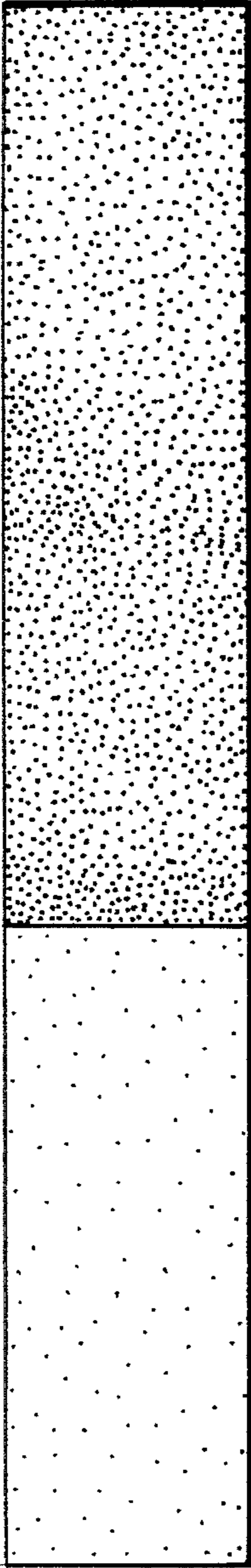


FIG. 6

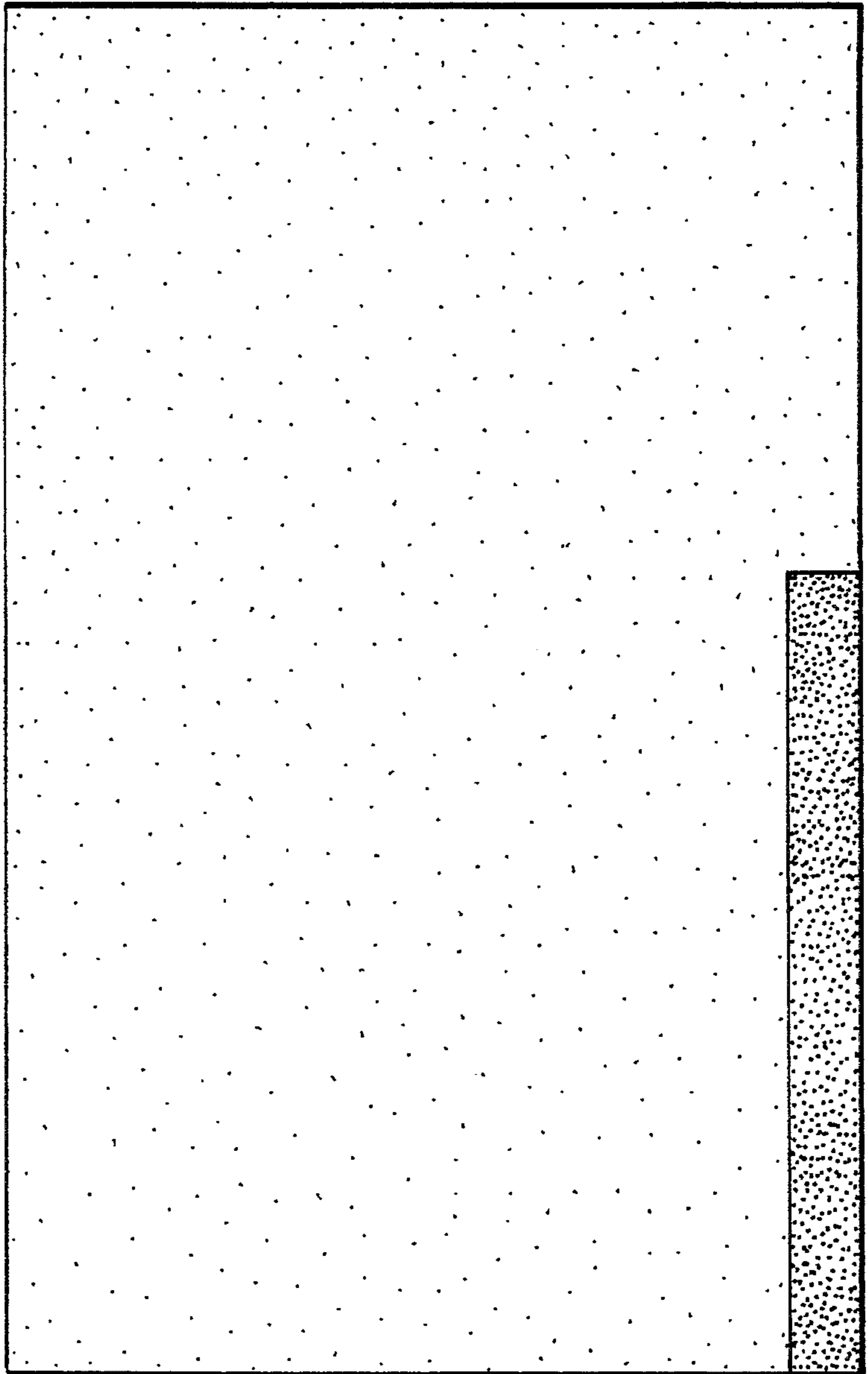
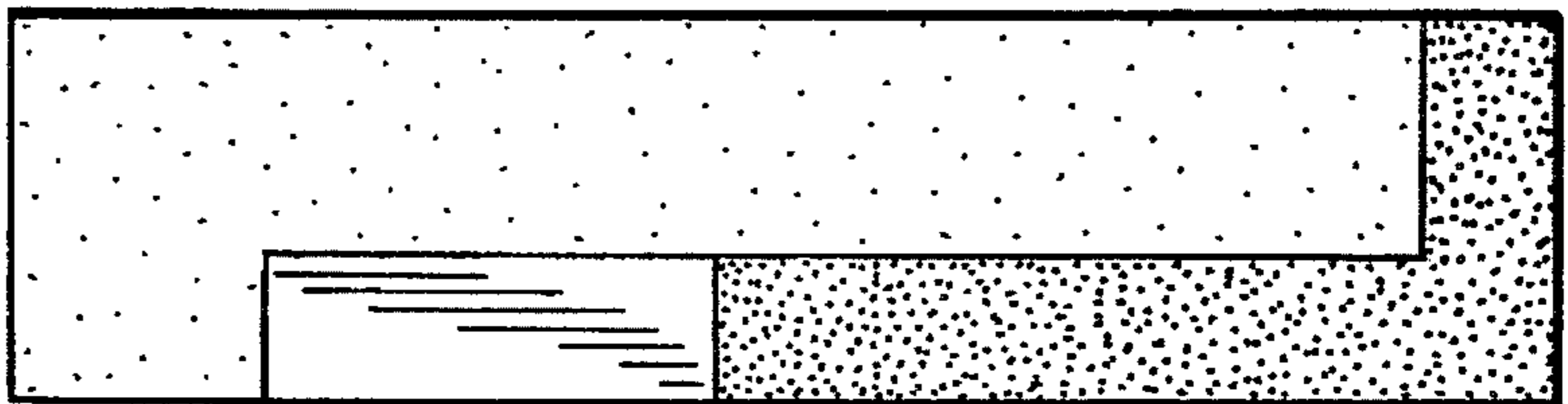


FIG. 4



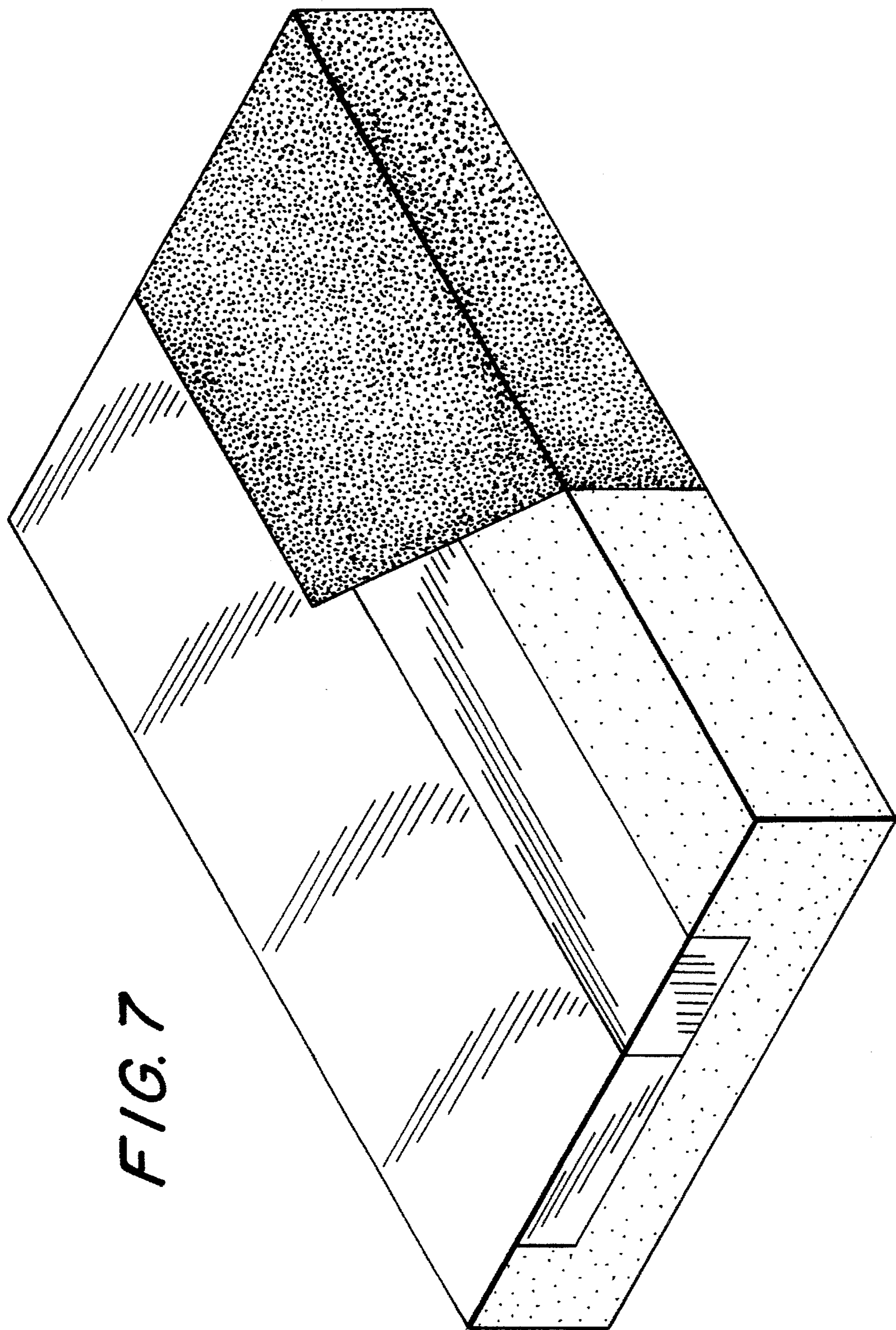


FIG. 7