



US00D364341S

United States Patent [19]

[11] Patent Number: **Des. 364,341**

Regenscheid et al.

[45] Date of Patent: ****Nov. 21, 1995**

[54] **COMBINED BOTTLE AND BOWL PACKAGE**

4,883,675 11/1989 Wernz 426/120

4,883,935 11/1989 Fairchild et al. 219/10.55

5,114,011 5/1992 Robbins, III 206/499

[75] Inventors: **Duane M. Regenscheid**, Austin, Minn.;
Grover J. Manderfield, Jr., Elk Grove
Village, Ill.; **Luther A. Gross**,
Churubusco; **John Fricke**, South
Whitley, both of Ind.

Primary Examiner—Ted Shooman
Assistant Examiner—Cheri Cohen
Attorney, Agent, or Firm—Merchant, Gould, Smith, Edell,
Welter & Schmidt

[73] Assignee: **Hormel Foods Corporation**, Austin,
Minn.

[57] CLAIM

[**] Term: **14 Years**

The ornamental design for combined bottle and bowl pack-
age, as shown and described.

[21] Appl. No.: **20,071**

DESCRIPTION

[22] Filed: **Mar. 16, 1994**

[52] U.S. Cl. **D9/337; D9/428**

[58] Field of Search D9/337, 529, 517,
D9/543, 341, 425, 431, 530, 550, 563,
428; D3/312, 314, 304; 215/1 R, 1 C, 6

FIG. 1 is a perspective view of a combined bottle and bowl
package showing our new design;
FIG. 2 is a top plan view thereof;
FIG. 3 is a right side elevational view, the left side eleva-
tional view being a mirror image thereof;
FIG. 4 is a front elevational view, the rear elevational view
being a mirror image thereof;
FIG. 5 is a bottom plan view thereof;
FIG. 6 is a reduced perspective view of the bottle shown
separate for clarity of illustration;
FIG. 7 is a bottom plan view thereof;
FIG. 8 is a front elevational view thereof;
FIG. 9 is a rear elevational view thereof;
FIG. 10 is a left side view thereof;
FIG. 11 is a right side view thereof; and,
FIG. 12 is a bottom plan view thereof.

[56] References Cited

U.S. PATENT DOCUMENTS

D. 211,697	7/1968	Collie	D9/425 X
D. 227,076	6/1973	Massey et al.	D9/517
D. 232,521	8/1974	Roche	D9/529 X
D. 235,302	6/1975	Lanigan	D9/500 X
D. 282,641	2/1986	Beaver et al.	D9/563
D. 285,413	9/1986	Carlson	D9/337
4,040,539	8/1977	Patterson	220/22
4,557,377	12/1985	Maloney	206/219
4,785,160	11/1988	Hart	219/10.55
4,848,579	7/1989	Barnes et al.	206/508

1 Claim, 5 Drawing Sheets

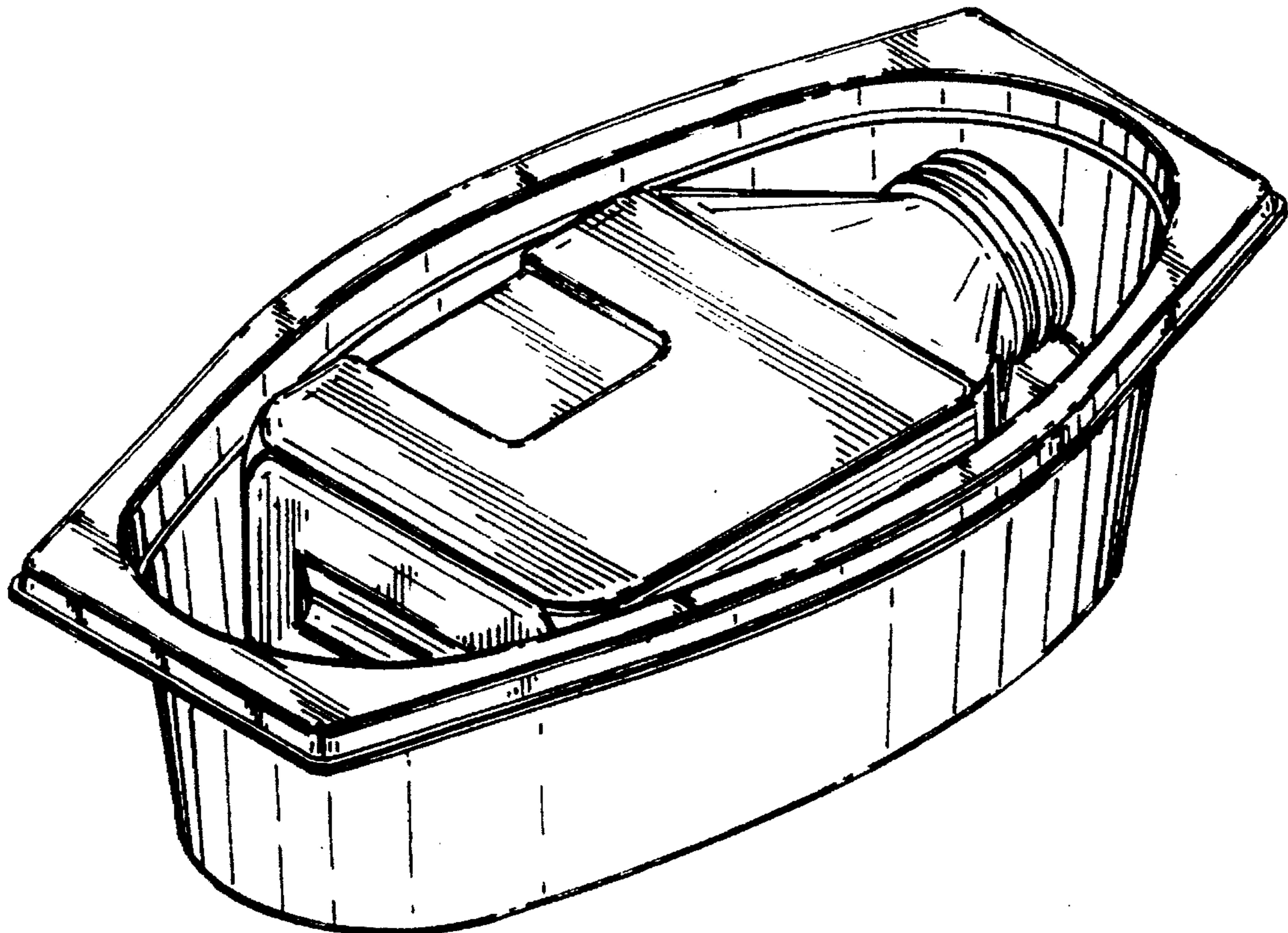


FIG. 1

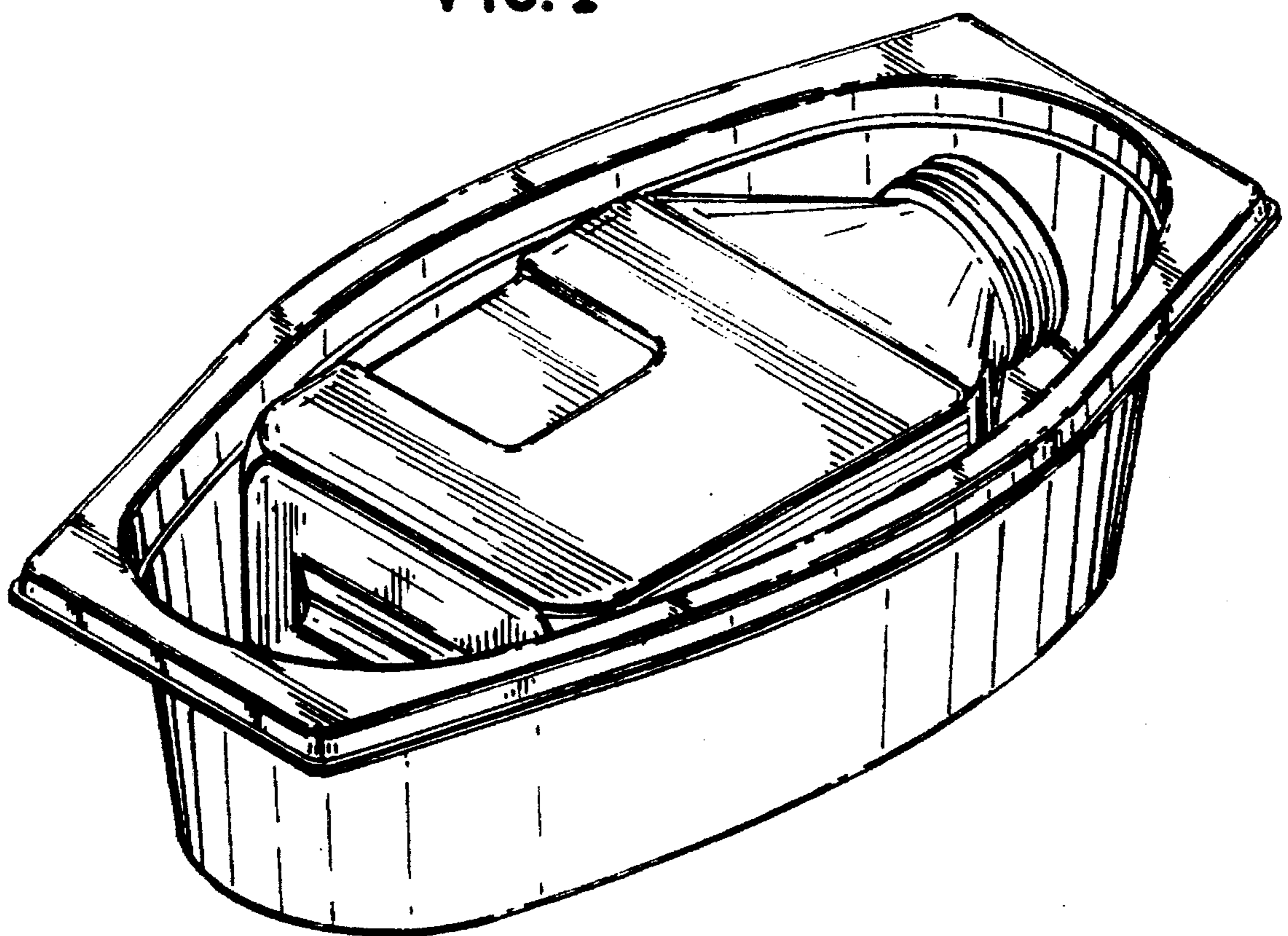


FIG. 2

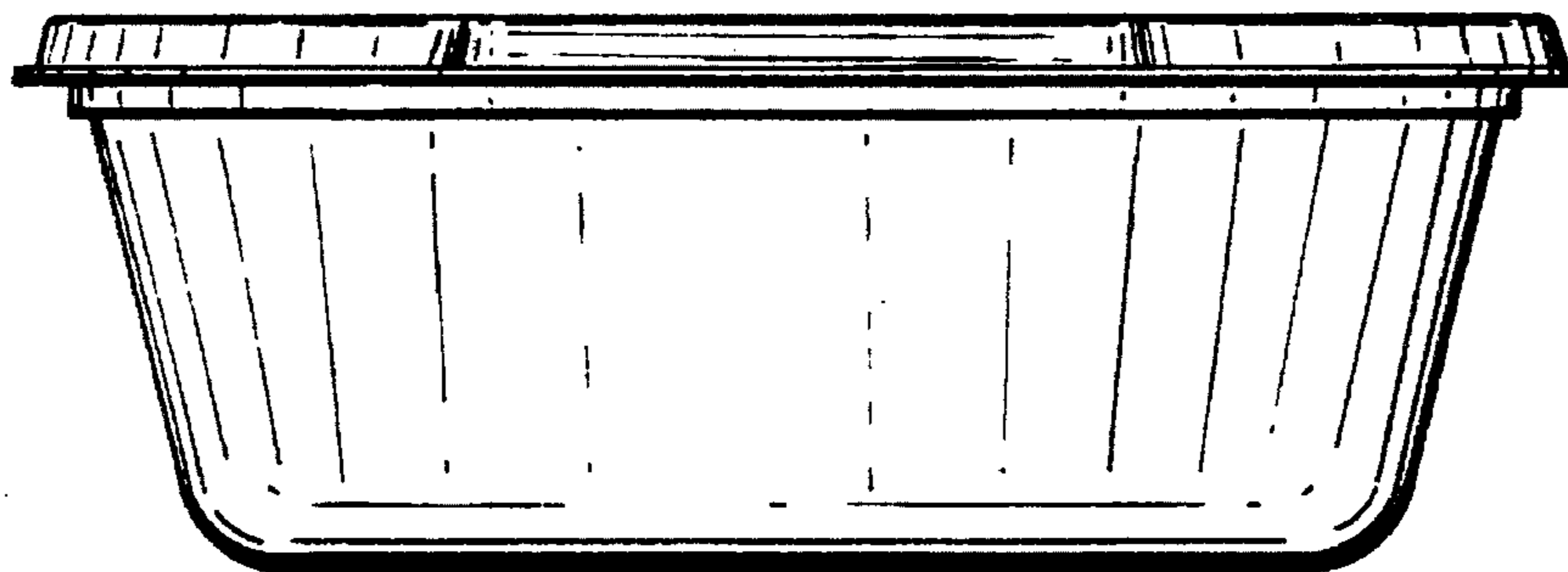
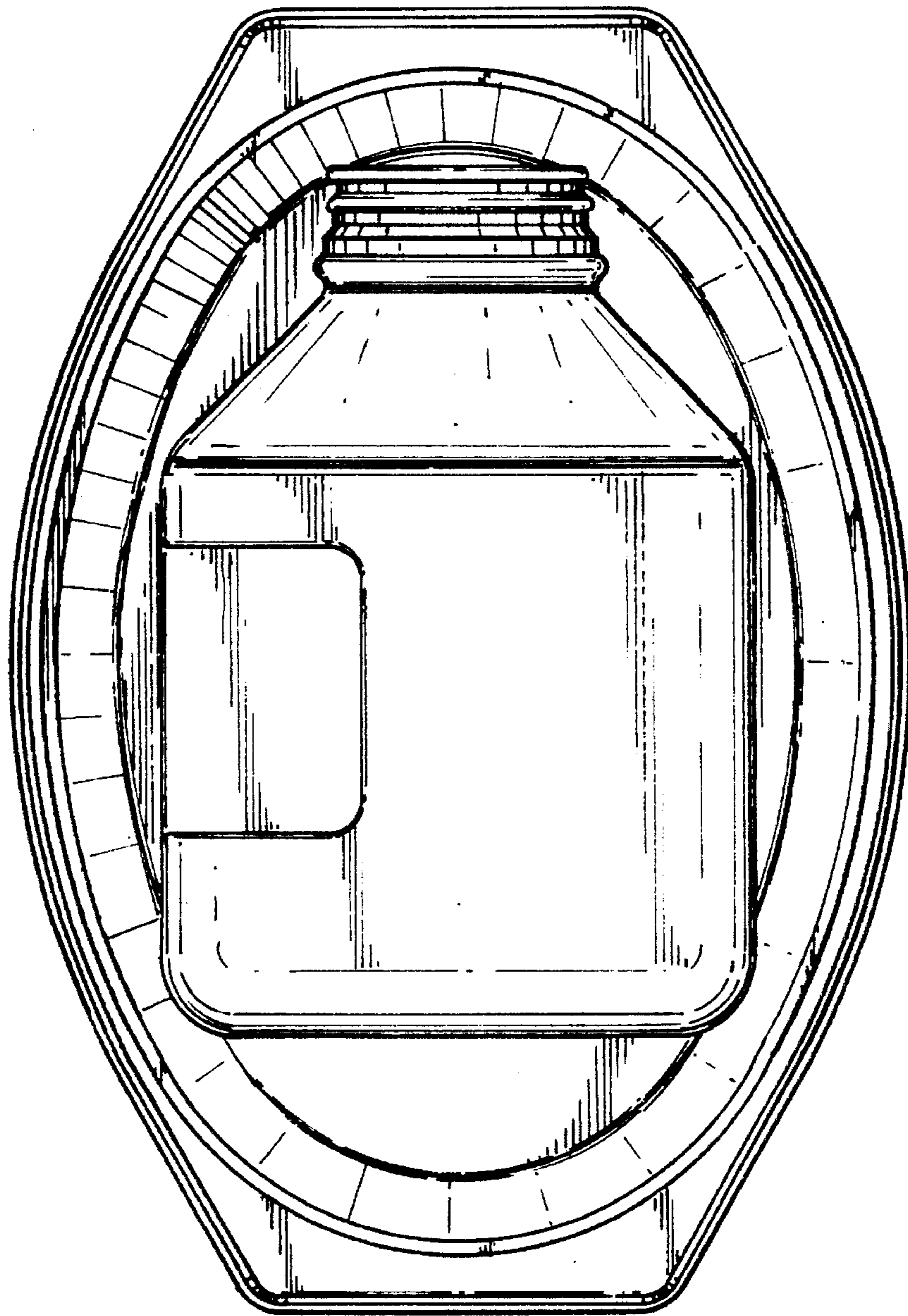


FIG. 3

FIG. 4

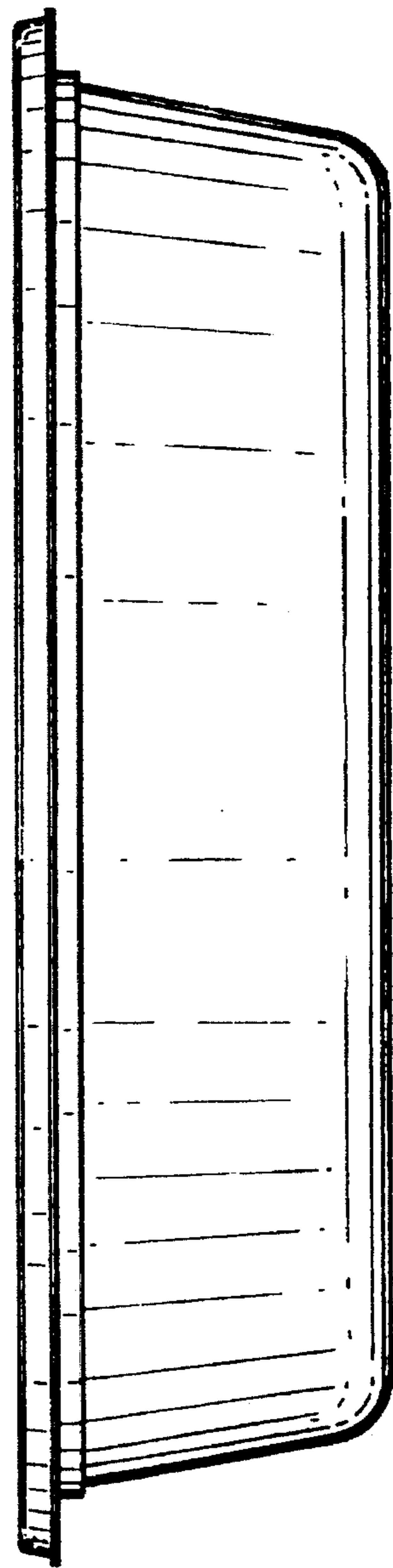


FIG. 5

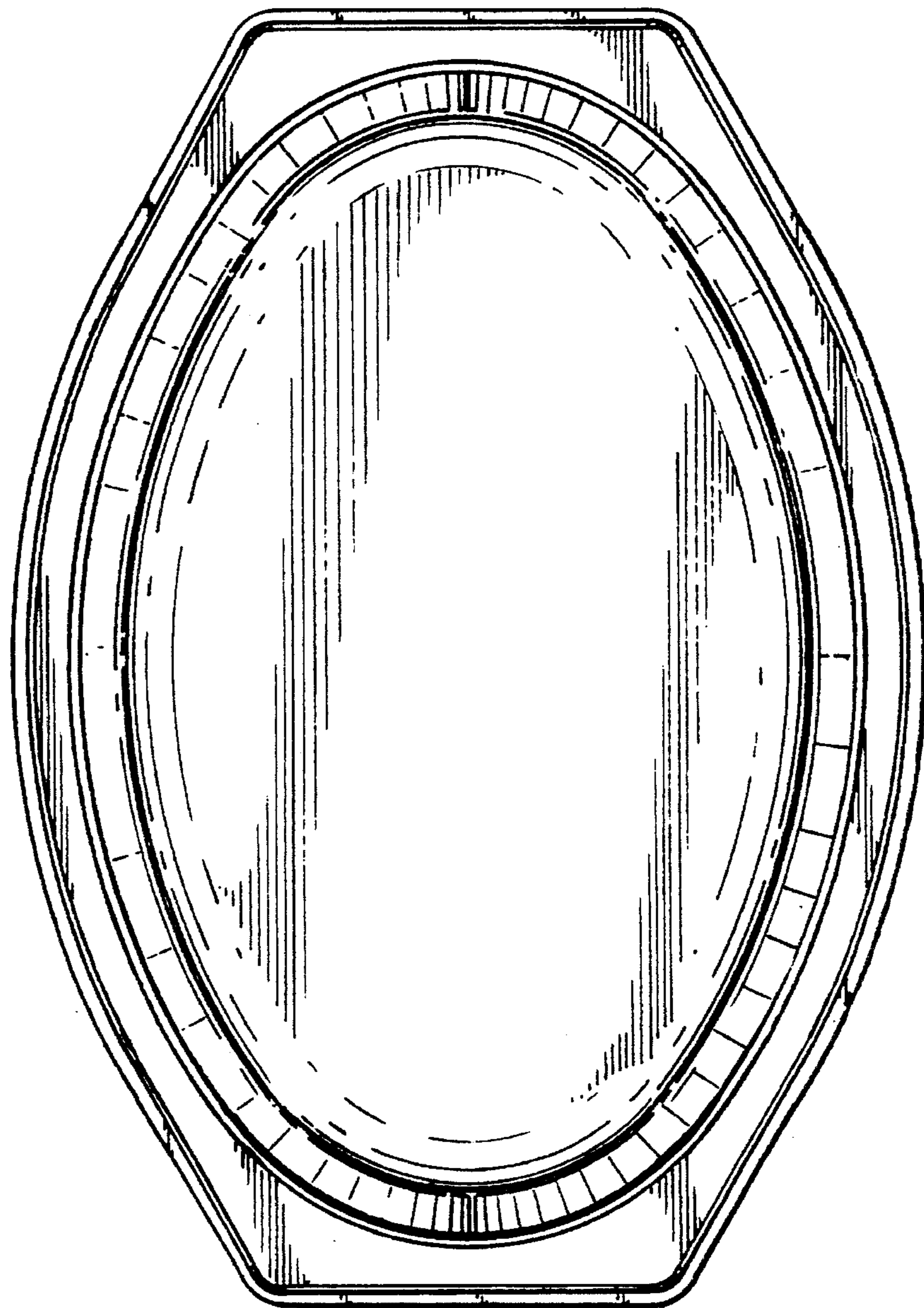


FIG. 6

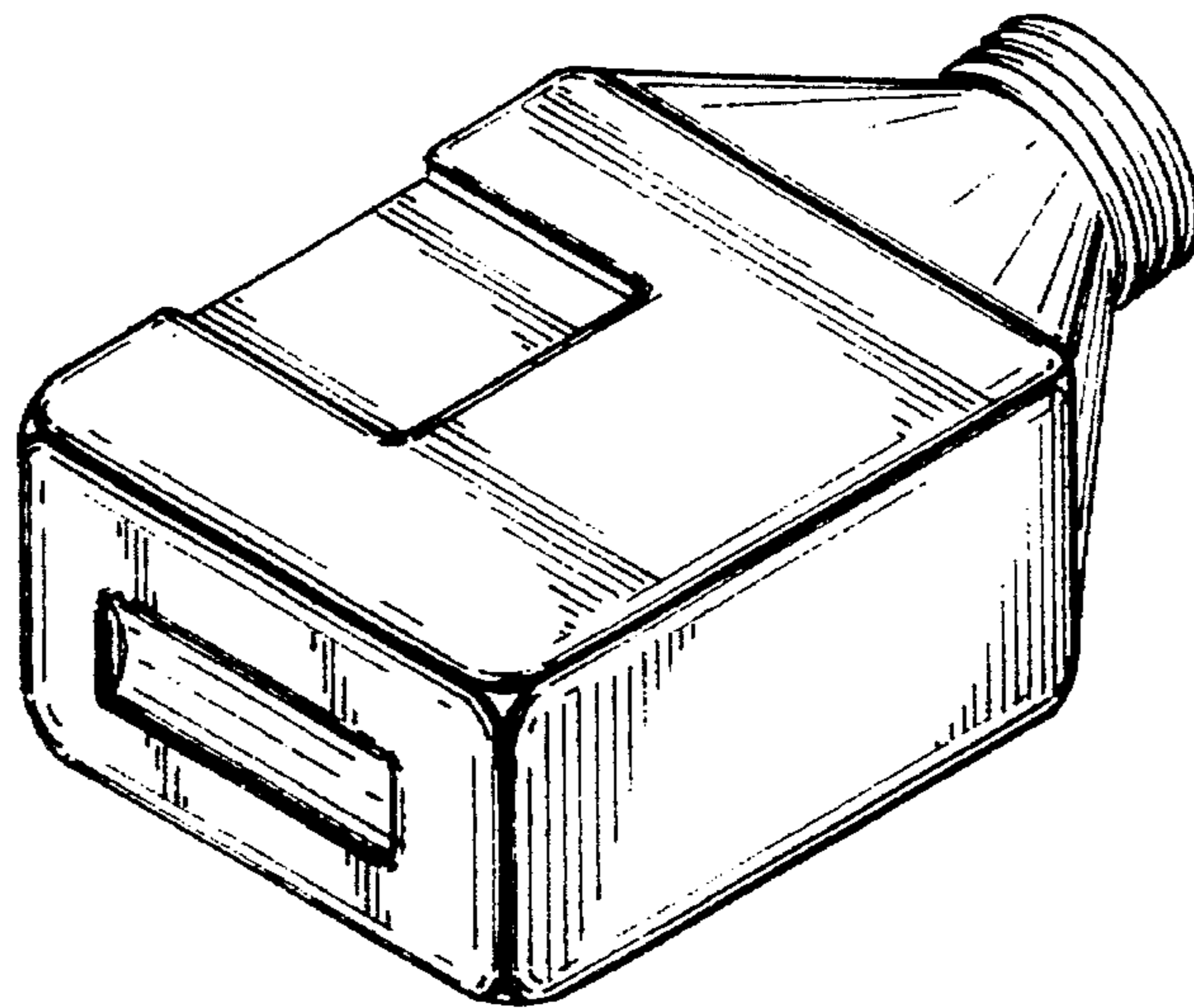


FIG. 7

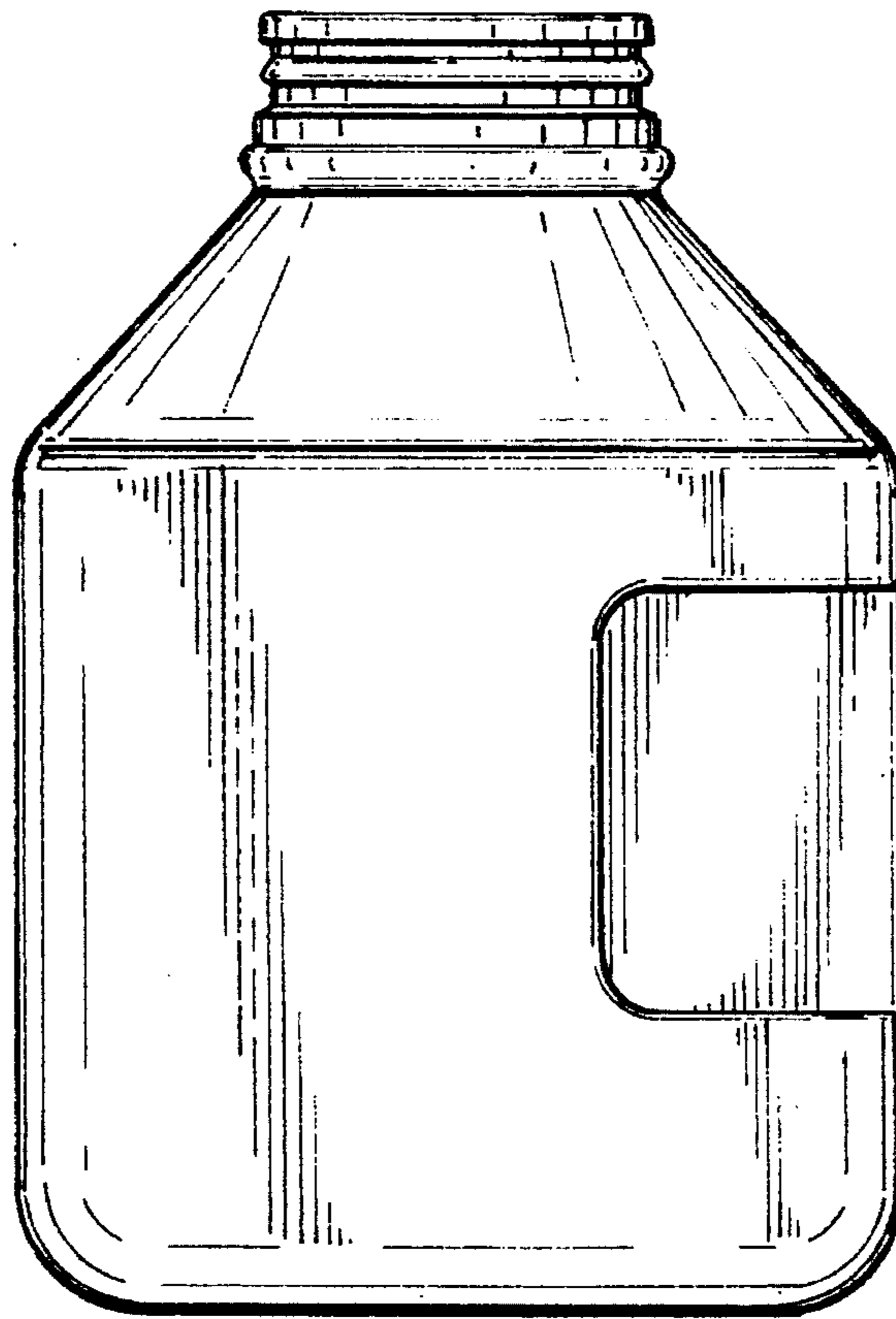


FIG. 8

