



US00D364338S

United States Patent [19] Cline

[11] Patent Number: Des. 364,338

[45] Date of Patent: **Nov. 21, 1995

[54] SURFACE MOUNT SNOW GUARD

[75] Inventor: Roger M. Cline, Bluemont, Va.

[73] Assignee: Real-Tool, Inc., Purcellville, Va.

[**] Term: 14 Years

[21] Appl. No.: 28,610

[22] Filed: Sep. 23, 1994

[52] U.S. Cl. D8/499

[58] Field of Search D8/499; 52/24-26

[56] References Cited

U.S. PATENT DOCUMENTS

D. 30,788	5/1899	Clark .	
D. 254,051	1/1980	Zaleski .	
D. 314,506	2/1991	McMullen	D8/499
463,235	11/1891	Reimel .	
507,776	10/1893	Berger et al. .	
595,295	12/1897	Fox et al. .	
706,684	8/1902	Peter	52/24
884,850	4/1908	Peter .	
1,095,822	5/1914	Danzer .	
1,330,309	2/1920	Dixon .	
1,463,065	7/1923	Sieger .	
1,863,561	6/1932	Brinker et al. .	
4,141,182	2/1979	McMullen .	
5,044,130	9/1991	Chiddister .	
5,282,340	2/1994	Cline .	

FOREIGN PATENT DOCUMENTS

223795	3/1962	Austria .
2126082	12/1972	Germany .
3716491	12/1988	Germany .
3723020	1/1989	Germany .
620961	12/1980	Switzerland .

OTHER PUBLICATIONS

"New Roof Shoe Keeps From Sliding", Popular Mechanics, Sep. 1915.

Primary Examiner—A. Hugo Word
Assistant Examiner—Lavone D. Tabor
Attorney, Agent, or Firm—James Creighton Wray

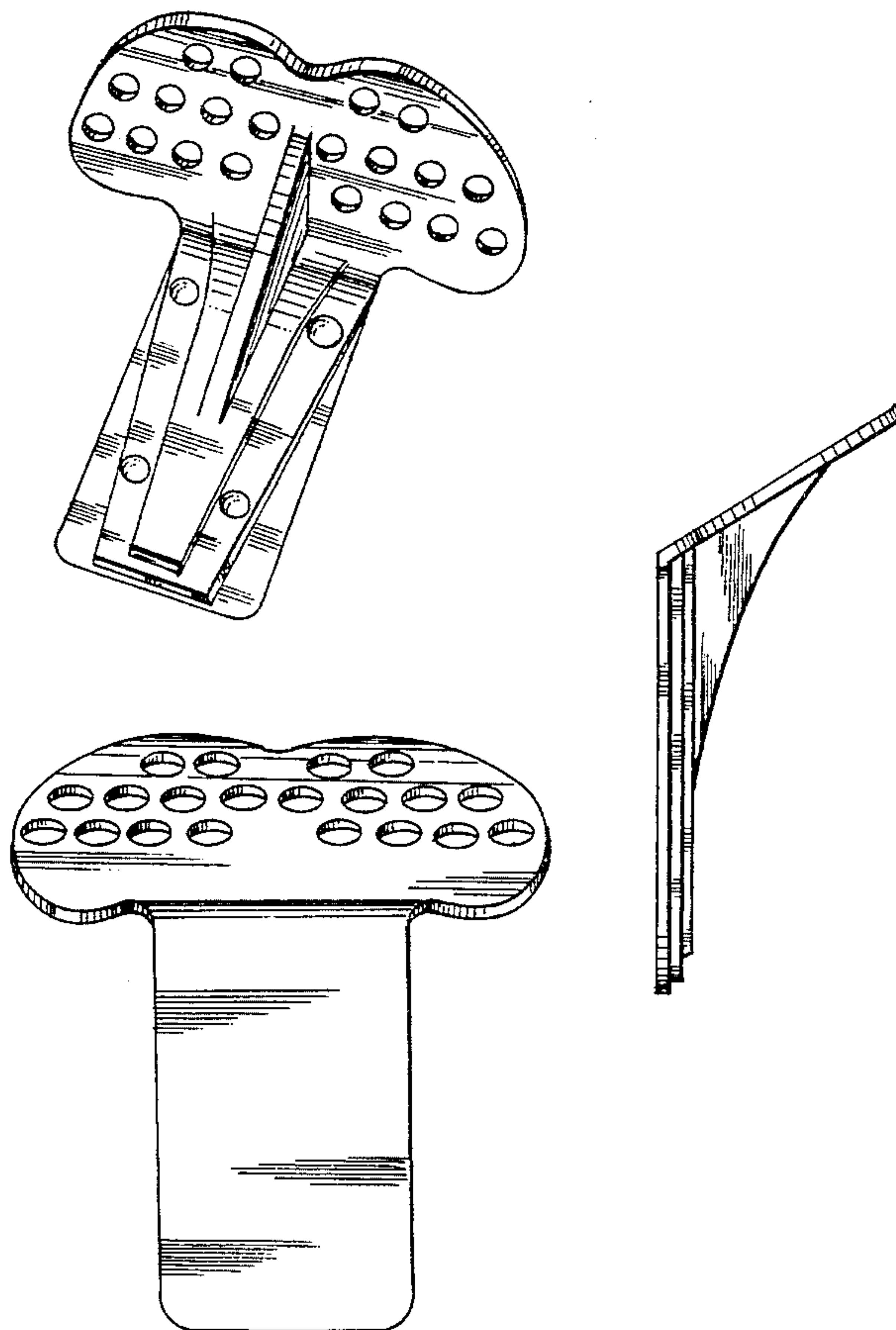
[57] CLAIM

The ornamental design for the surface mount snow guard, as shown and described.

DESCRIPTION

FIG. 1 is a perspective view of a surface mount snow guard showing my new design;
FIG. 2 is a top plan view thereof;
FIG. 3 is a bottom plan view thereof;
FIG. 4 is a rear elevational view thereof;
FIG. 5 is a front elevational view thereof; and,
FIG. 6 is a left side elevational view thereof, the right side being a mirror image.

1 Claim, 1 Drawing Sheet



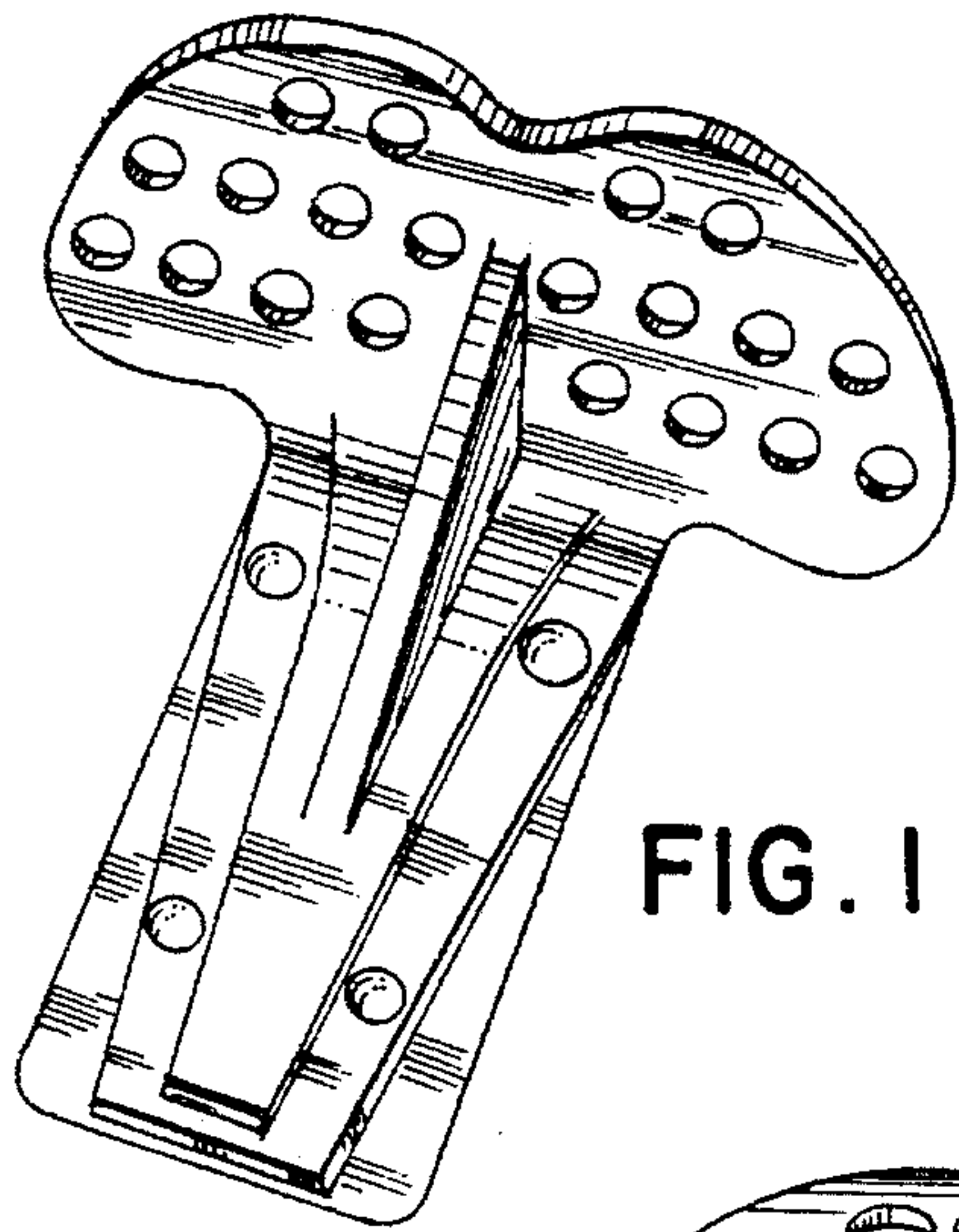


FIG. 1

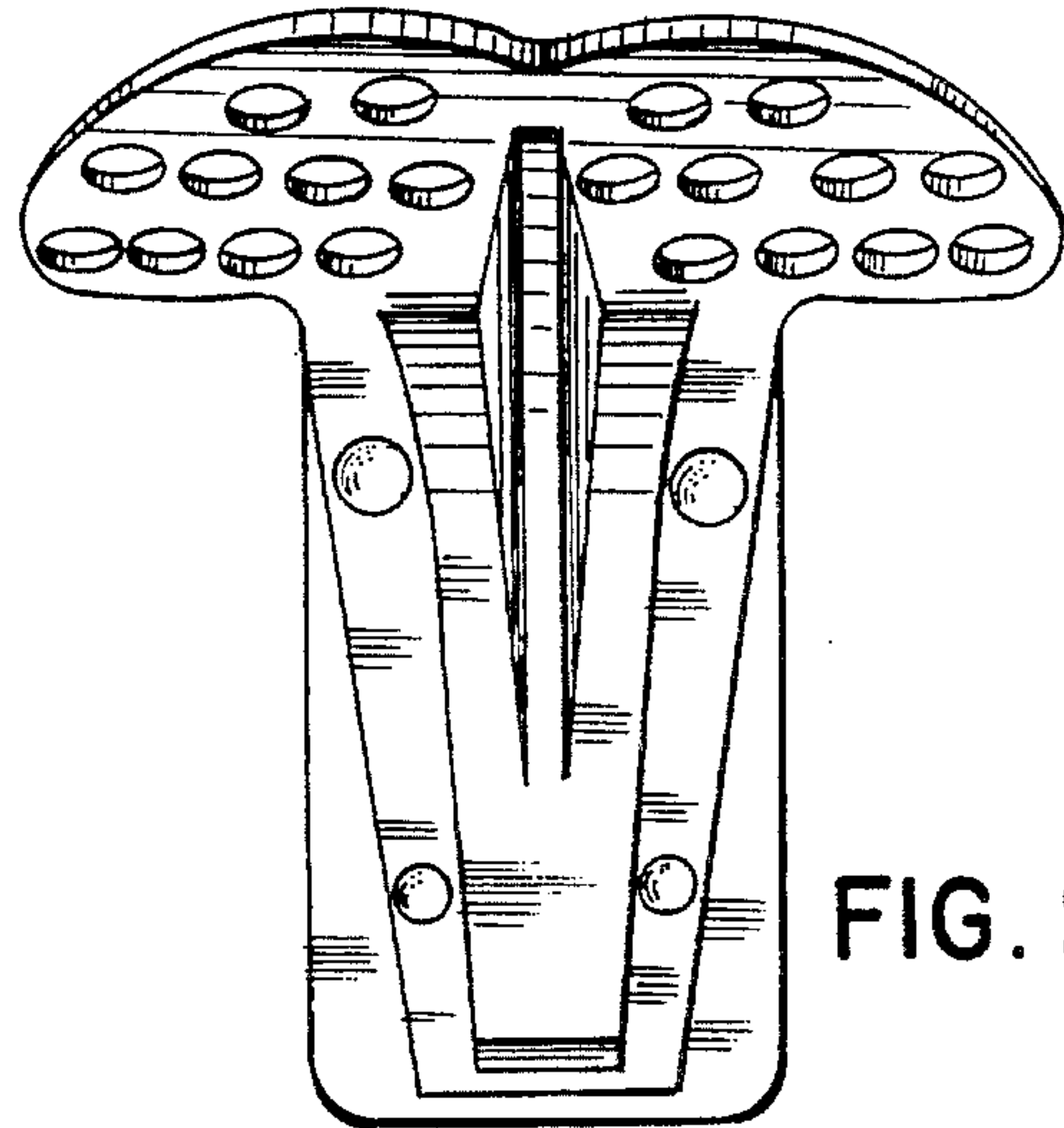


FIG. 2

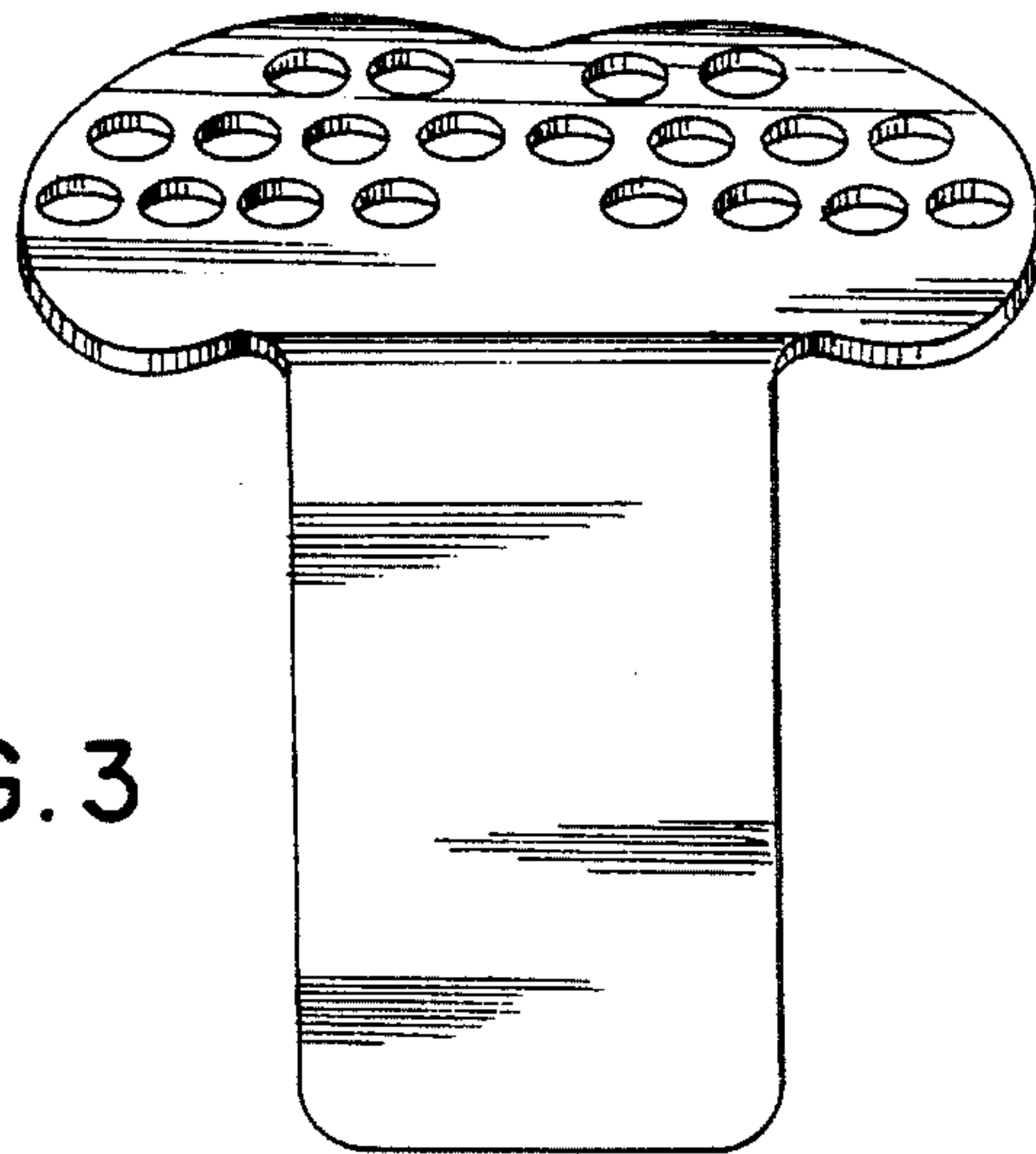


FIG. 3

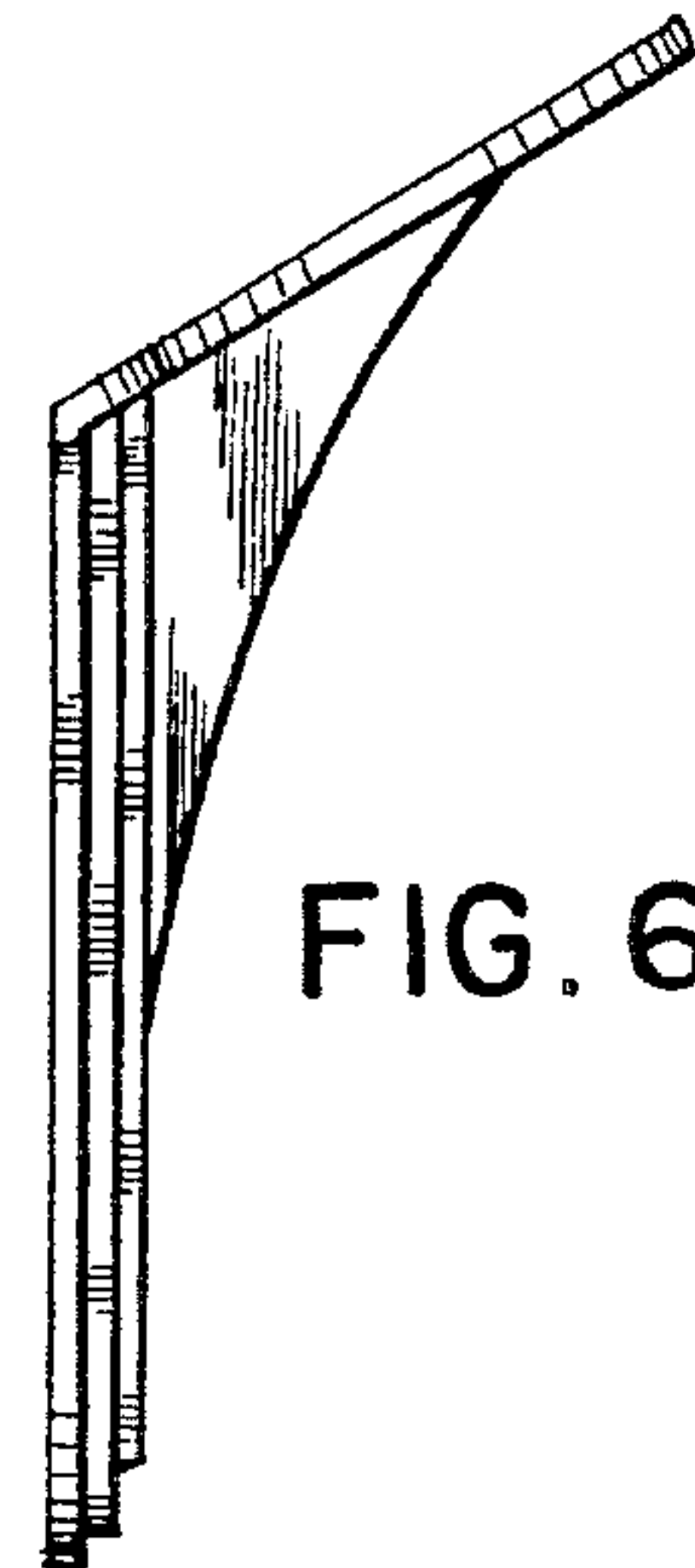


FIG. 6

FIG. 4

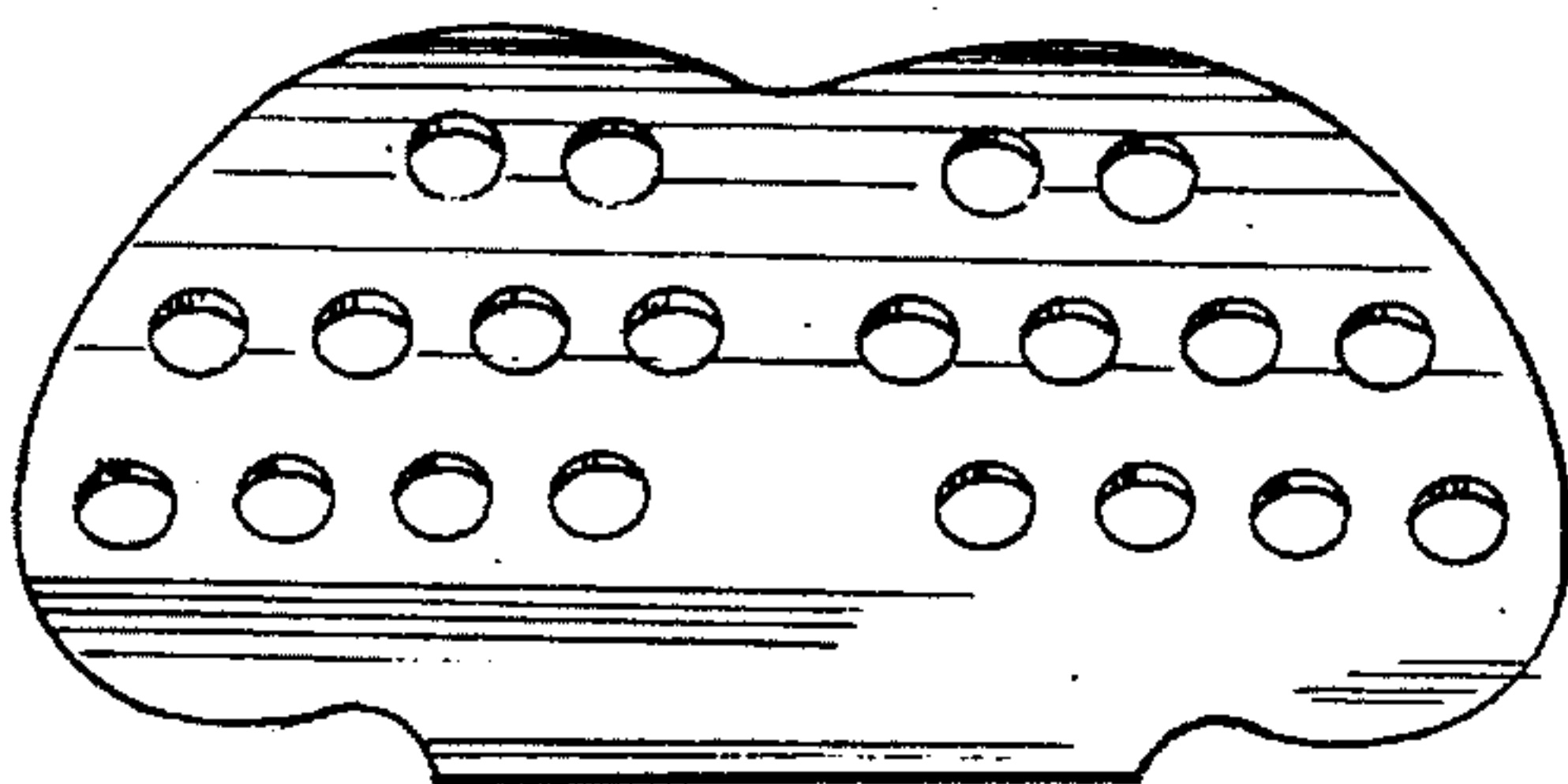


FIG. 5

