



US00D364335S

United States Patent [19]

[11] Patent Number: **Des. 364,335**

Mesna et al.

[45] Date of Patent: ****Nov. 21, 1995**

[54] FENCE HOOK

3,248,765	5/1966	Achabal et al.	248/227	X
3,371,900	3/1968	Jacobs	248/215	X
3,599,918	8/1971	Patchett	248/215	X

[76] Inventors: **Larry D. Mesna**, 32118 Hunsacker Way; **Gregory C. Mesna**; **Wendy L. Mesna**, both of P.O. Box 2344, all of Running Springs, Calif. 92382

Primary Examiner—A. Hugo Word
Assistant Examiner—Holly Baynham

[**] Term: **14 Years**

[57] **CLAIM**

[21] Appl. No.: **12,392**

The ornamental design for a fence hook, as shown and described.

[22] Filed: **Aug. 30, 1993**

DESCRIPTION

[52] U.S. Cl. **D8/367**

[58] Field of Search D8/349, 354, 367;
248/215, 301, 304, 339, 205.3, 227; D25/38-44,
199

FIG. 1 is a perspective view of a fence hook showing our new design;

FIG. 2 is a top plan view thereof;

FIG. 3 is a left side elevational view thereof;

FIG. 4 is a rear elevational view thereof;

FIG. 5 is a right side elevational view thereof;

FIG. 6 is a front elevational view thereof; and,

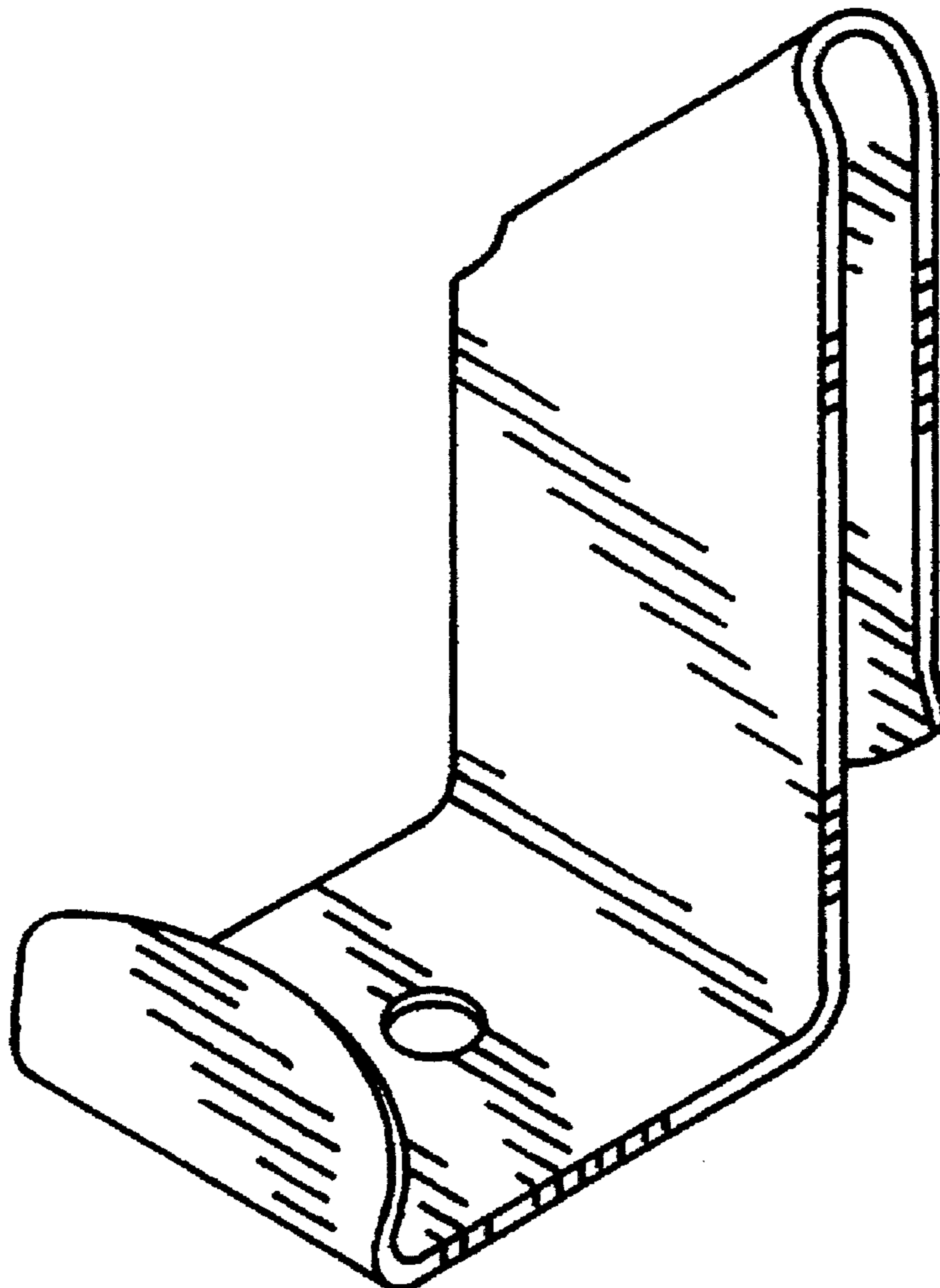
FIG. 7 is a bottom plan view thereof.

[56] References Cited

U.S. PATENT DOCUMENTS

2,286,118	6/1942	Sleeth	248/339	X
2,485,891	10/1949	Kindorf	248/68.1	
2,614,268	10/1952	Davies	248/227	X
2,891,752	6/1959	Genter	248/339	X

1 Claim, 1 Drawing Sheet



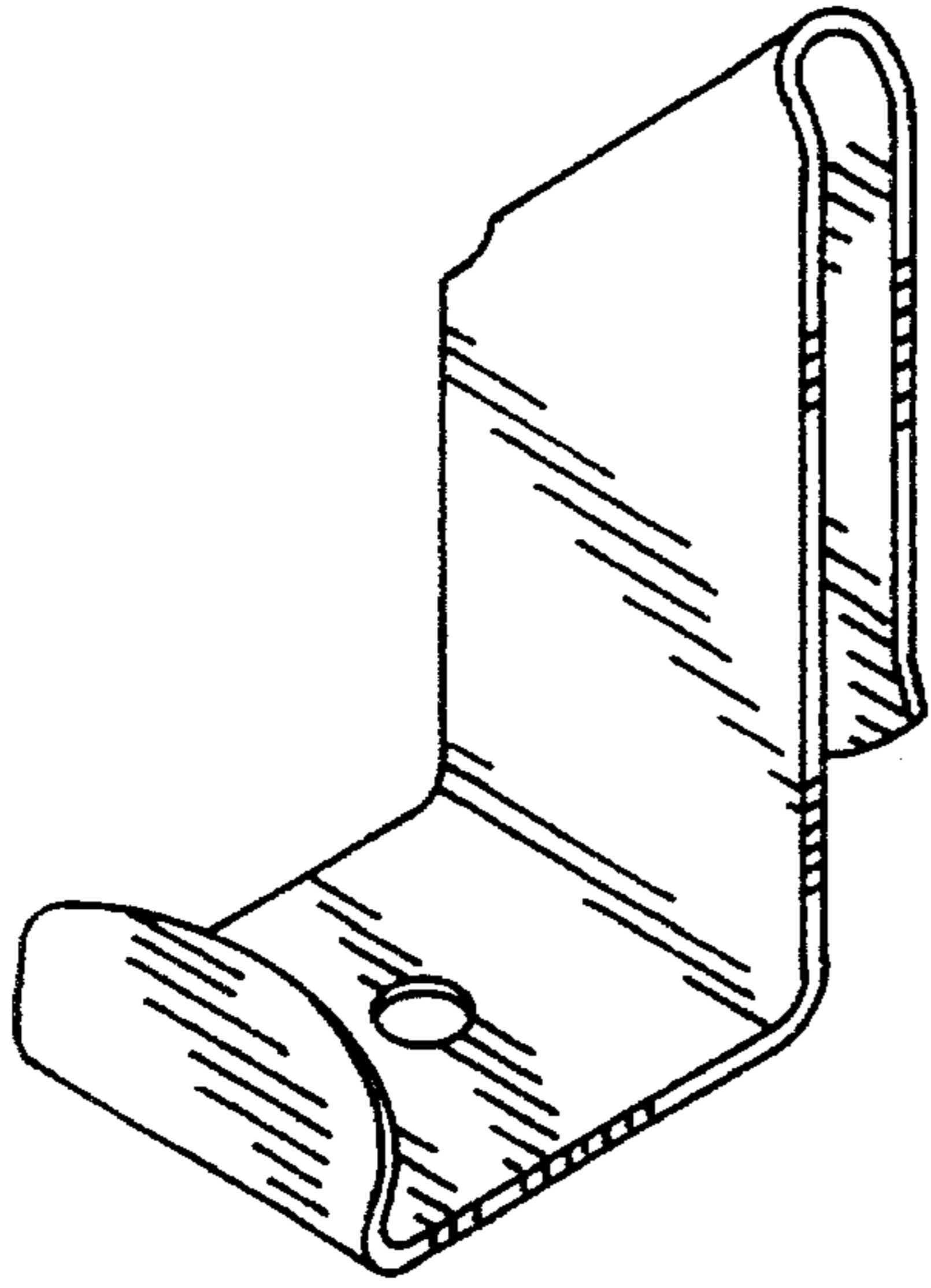


FIG. 1

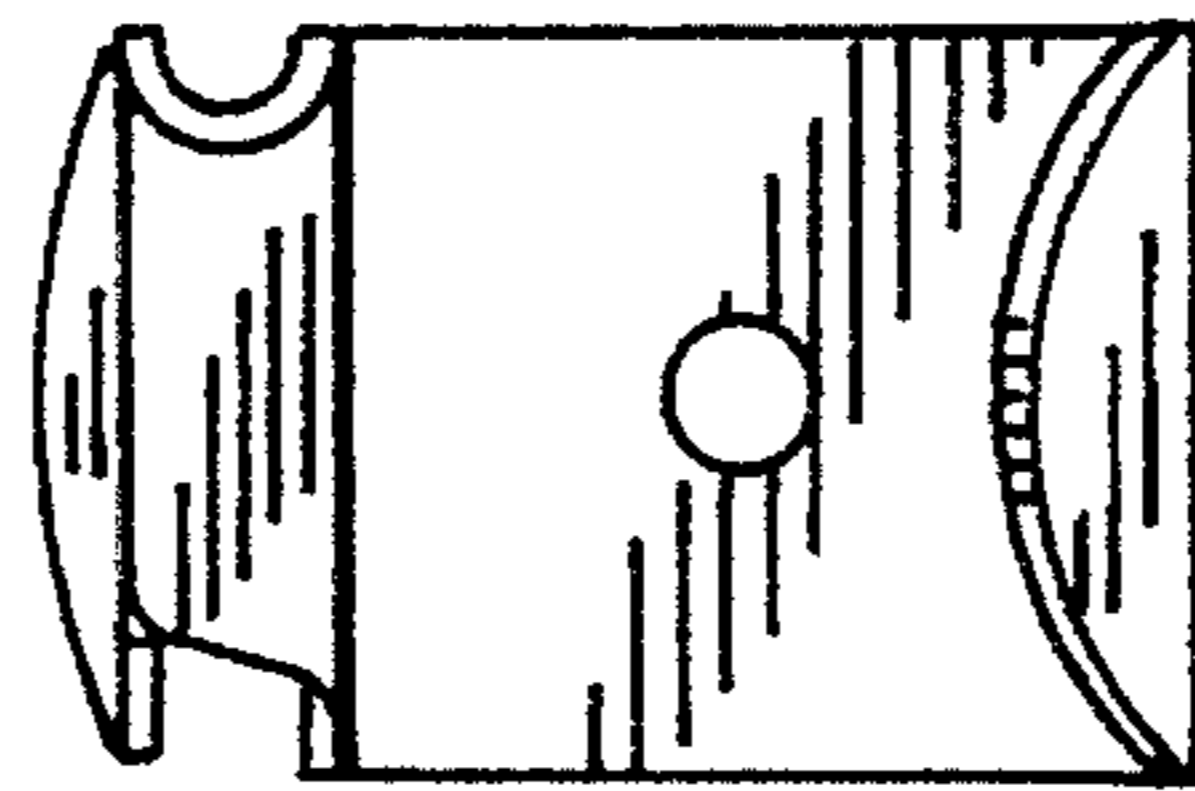


FIG. 2

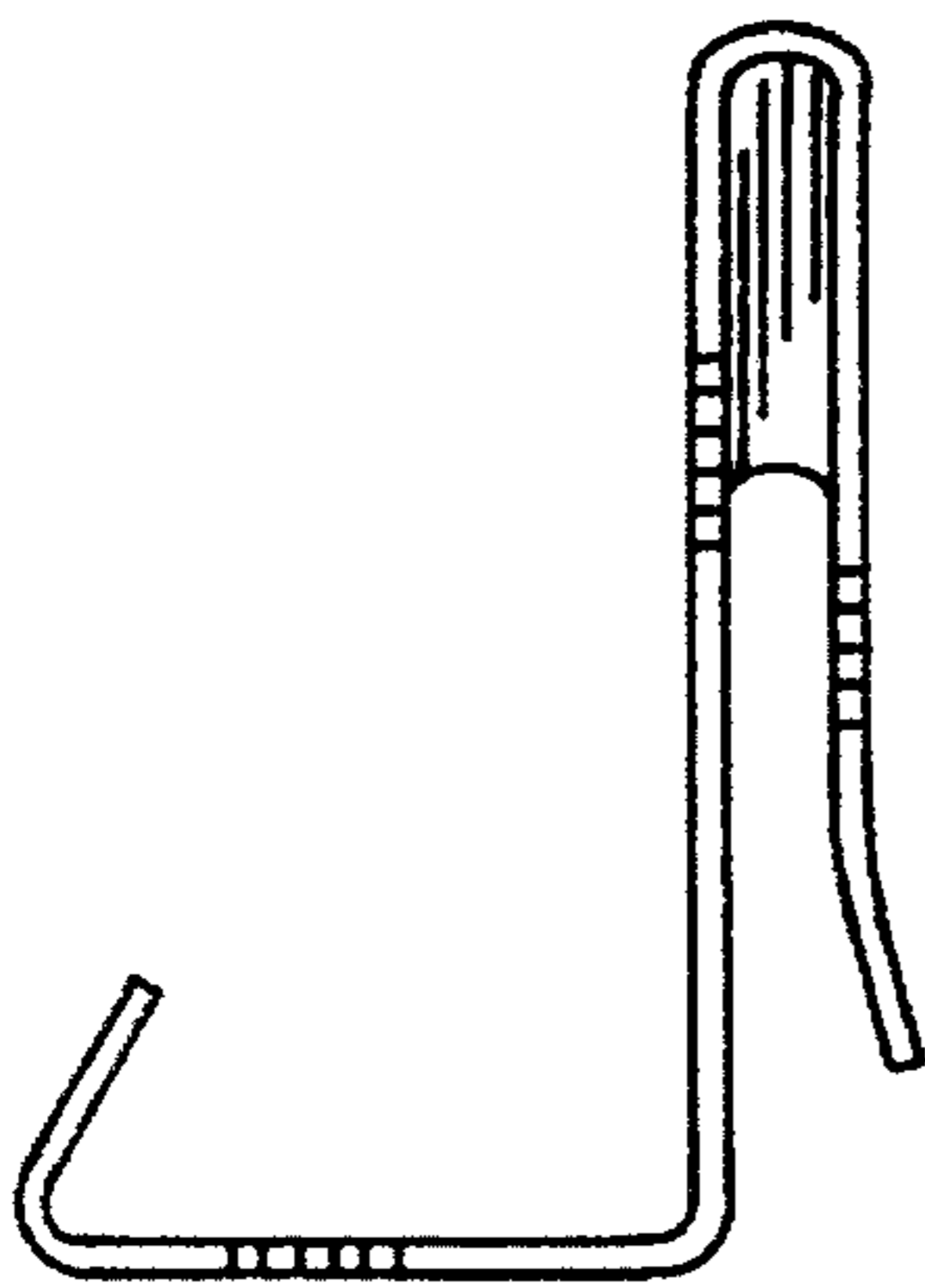


FIG. 3

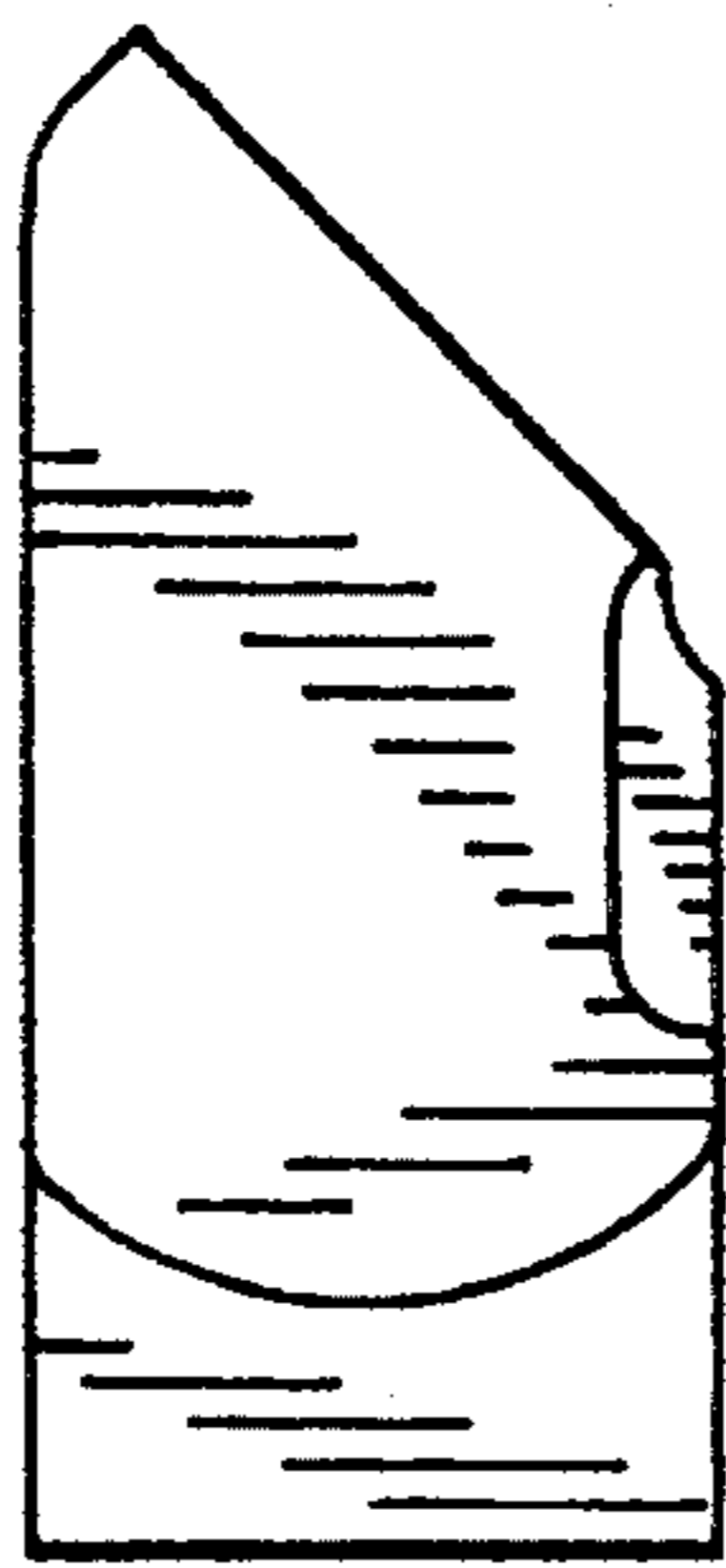


FIG. 4

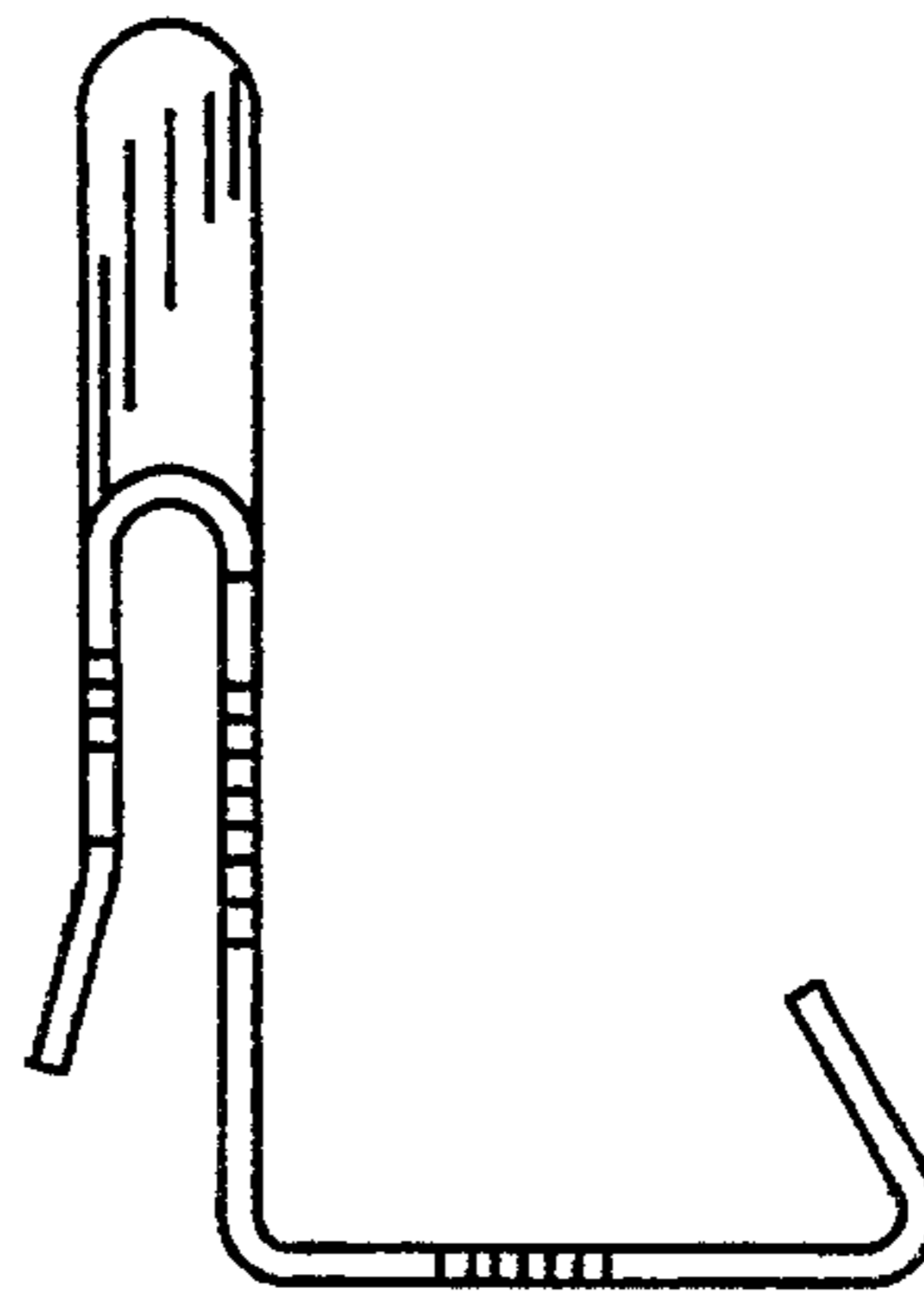


FIG. 5

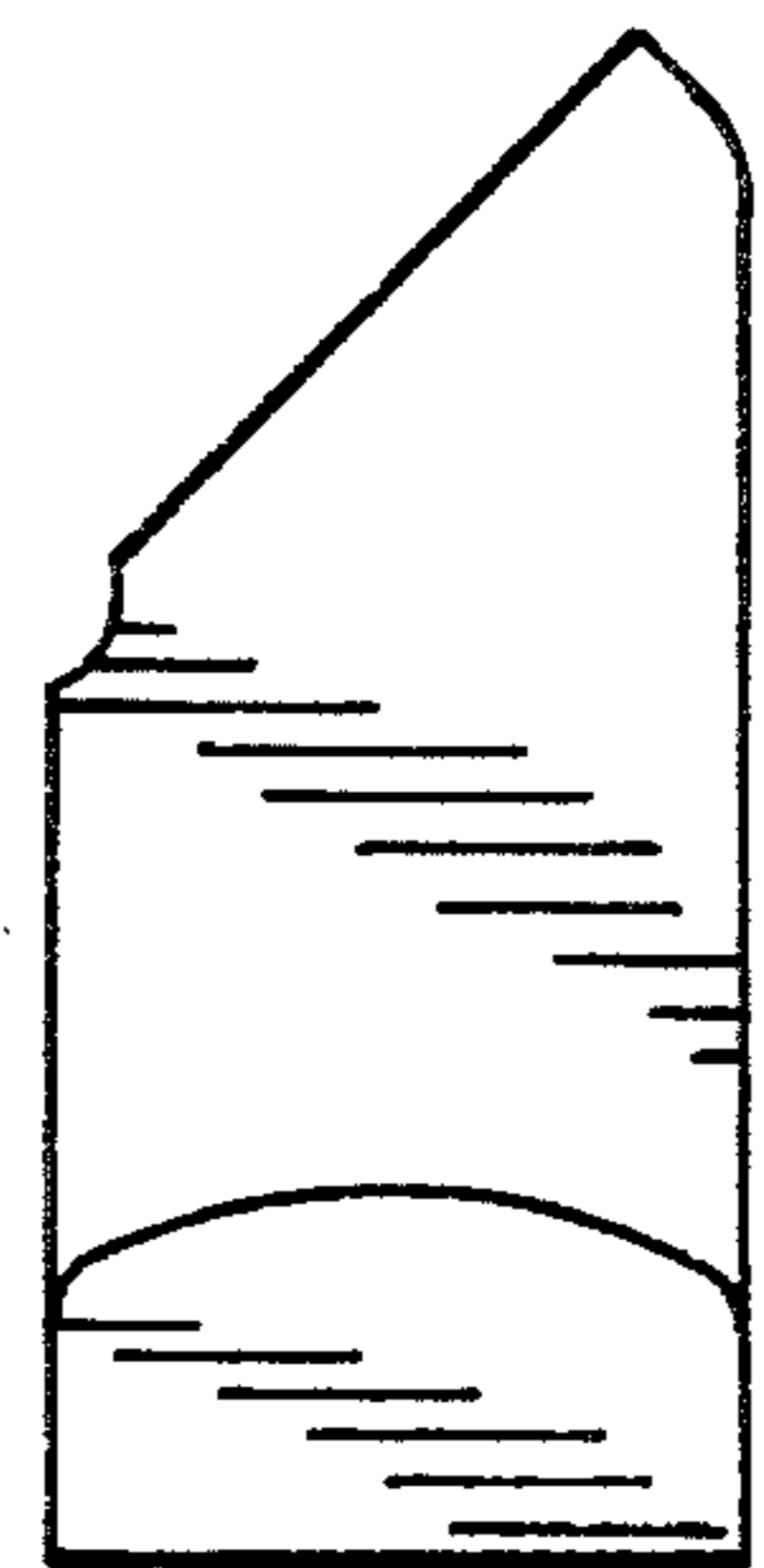


FIG. 6

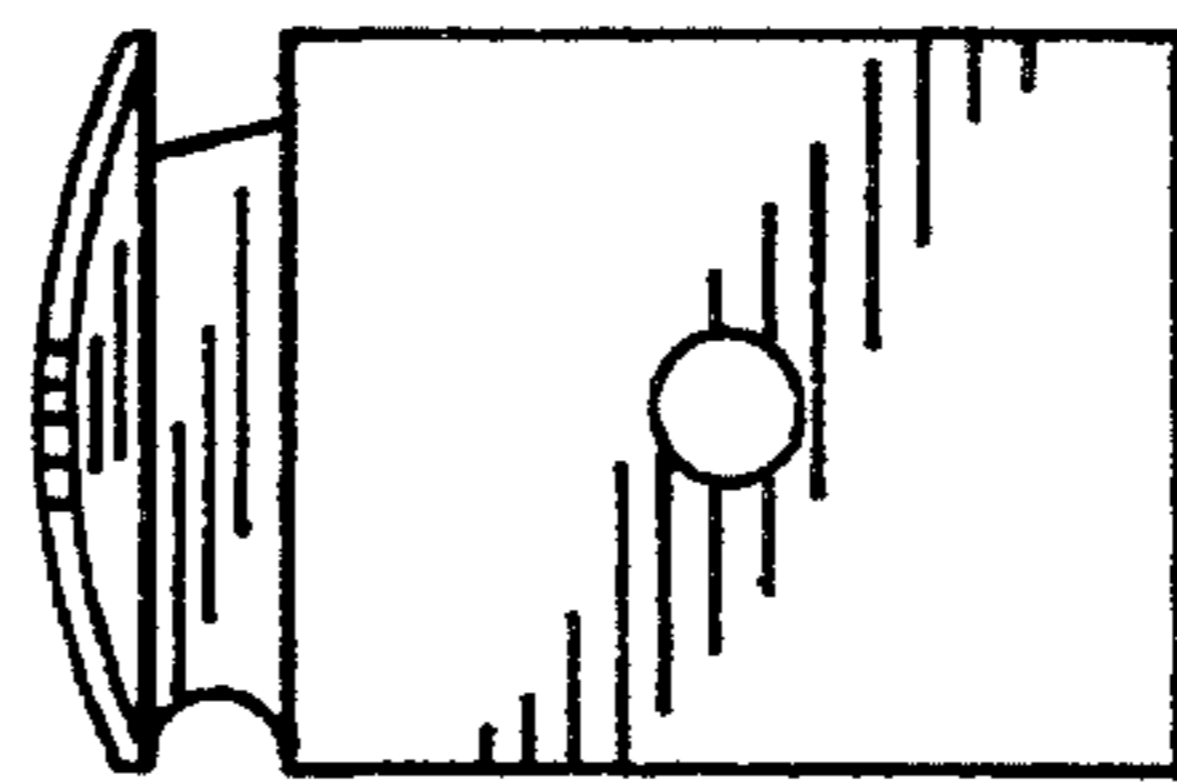


FIG. 7