



US00D364331S

# United States Patent [19]

[11] Patent Number: **Des. 364,331**

**Leek**

[45] Date of Patent: **\*\*Nov. 21, 1995**

[54] **STRUCTURAL CONNECTOR**

[75] Inventor: **William F. Leek**, Anaheim, Calif.

[73] Assignee: **Simpson Strong-Tie Company, Inc.**, Pleasanton, Calif.

[\*\*] Term: **14 Years**

[21] Appl. No.: **11,960**

[22] Filed: **Aug. 18, 1993**

[52] U.S. Cl. .... **D8/354**

[58] Field of Search ..... D8/349, 354, 382;  
403/406.1, 403; 248/220.1; 52/712

[56] **References Cited**

**U.S. PATENT DOCUMENTS**

1,471,159	10/1923	Howie et al. .	
2,203,987	6/1940	Galante .....	20/92
2,268,681	1/1942	VErnon .....	40/125
3,912,407	10/1975	Heininger .....	403/406

**OTHER PUBLICATIONS**

Pp. 23, 25, 47, 51, 66, Simpson Catalog copyright 1993.  
Grammes Catalog, 1941, p. 30, desk pad corner bracket,  
item A at top of page.

*Primary Examiner*—James M. Gandy  
*Assistant Examiner*—Holly Baynham  
*Attorney, Agent, or Firm*—James R. Cypher

[57] **CLAIM**

The ornamental design for a structural connector, as shown and described.

**DESCRIPTION**

FIG. 1 is a perspective view of the structural connector showing my new design;

FIG. 2 is a front elevational view thereof;

FIG. 3 is a top plan view thereof;

FIG. 4 is a bottom plan view thereof;

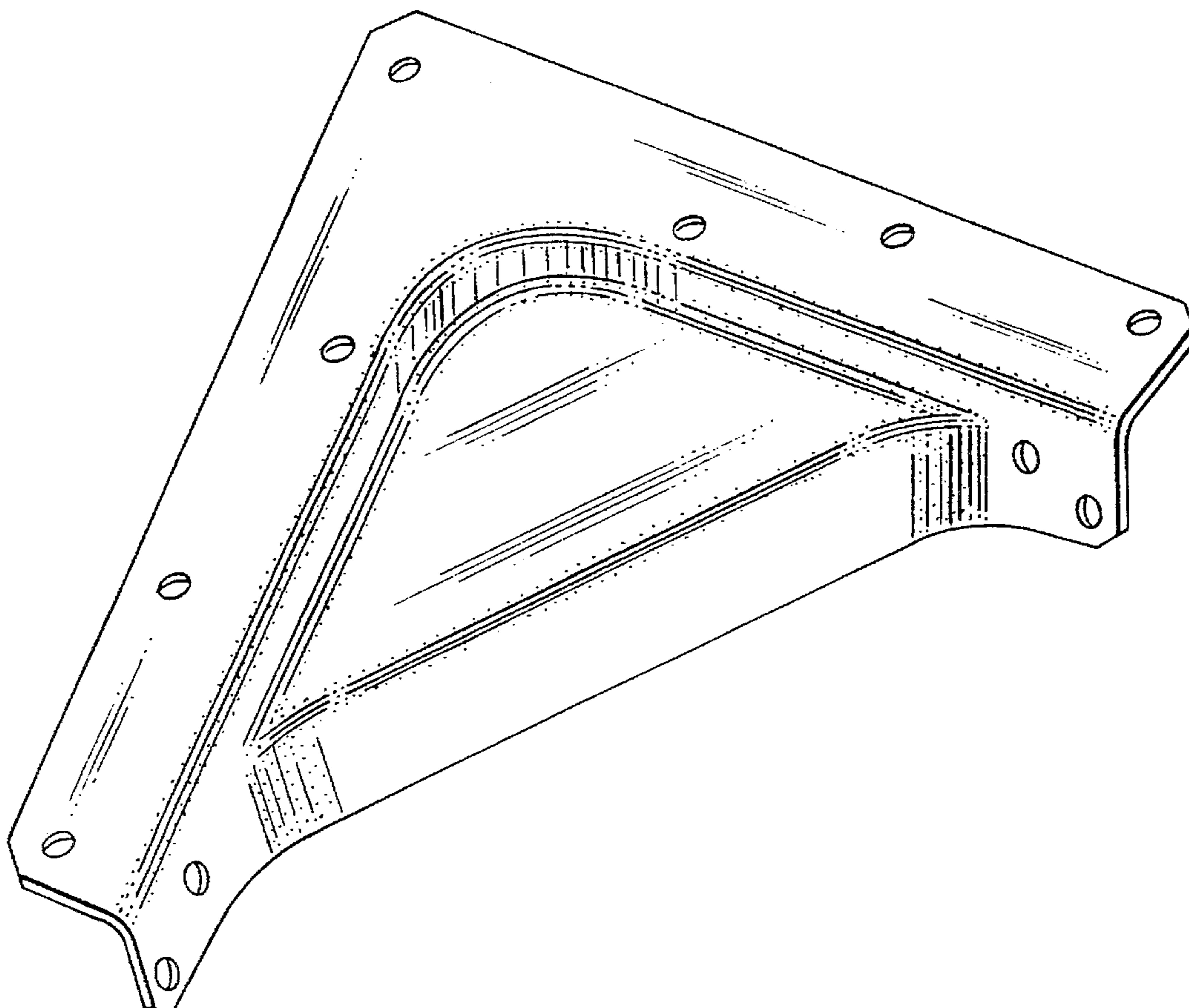
FIG. 5 is a left side elevational view thereof;

FIG. 6 is a right side elevational view thereof;

FIG. 7 is a rear elevational view thereof; and,

FIG. 8 is a section taken along line 8—8 of FIG. 7 for purposes of clarity.

**1 Claim, 2 Drawing Sheets**



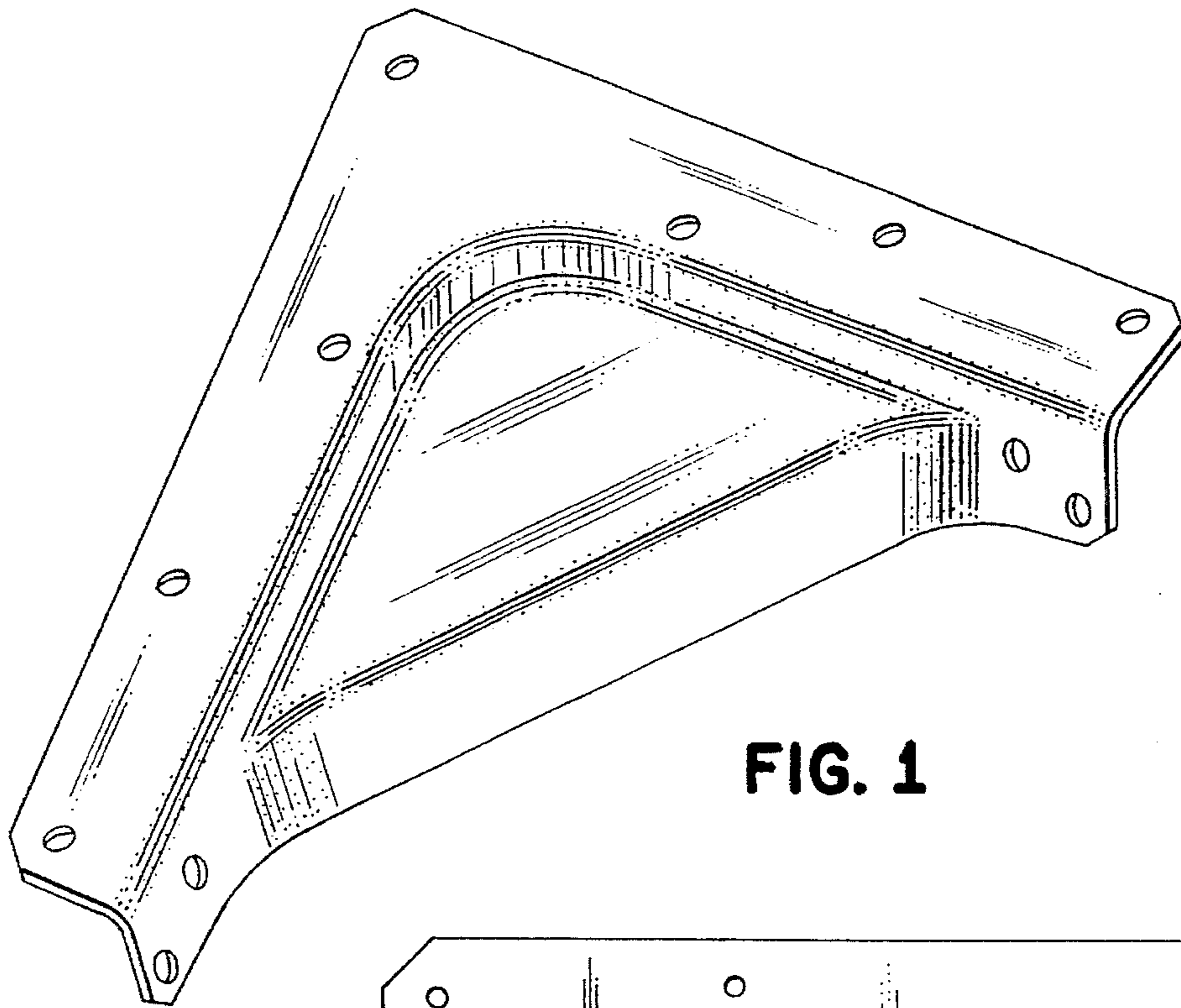


FIG. 1

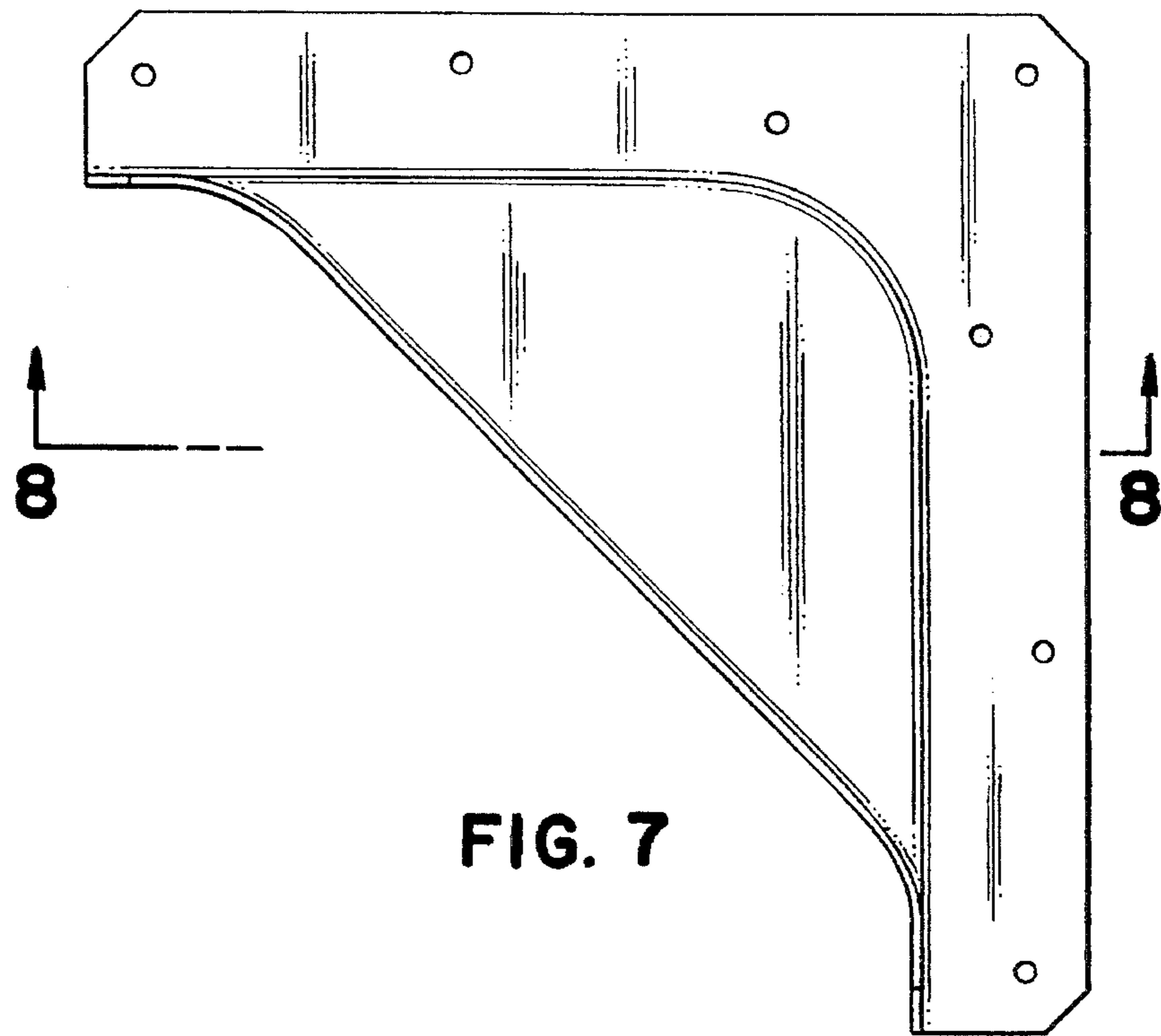


FIG. 7

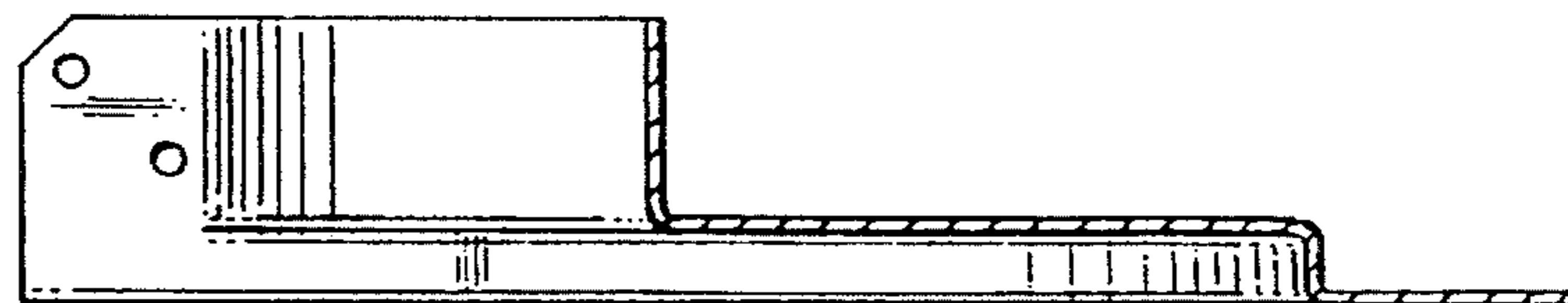


FIG. 8

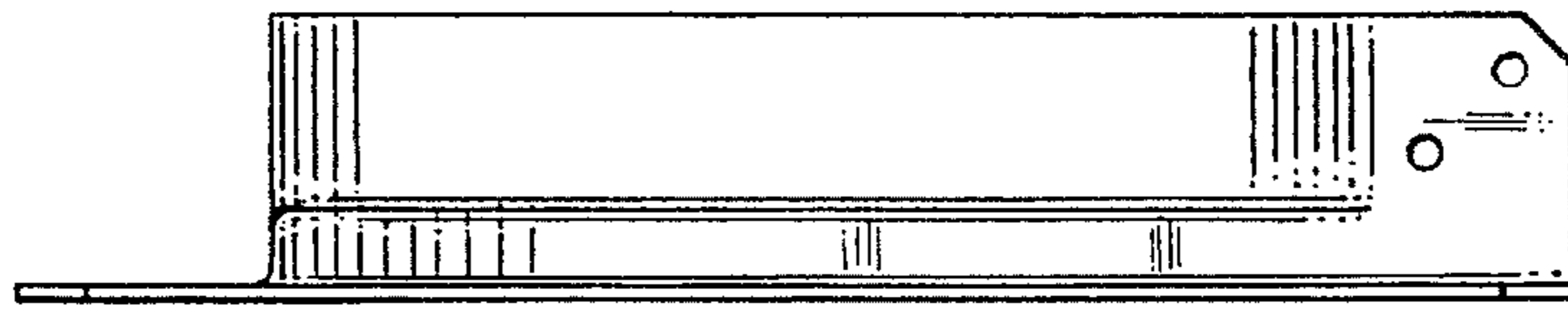


FIG. 3

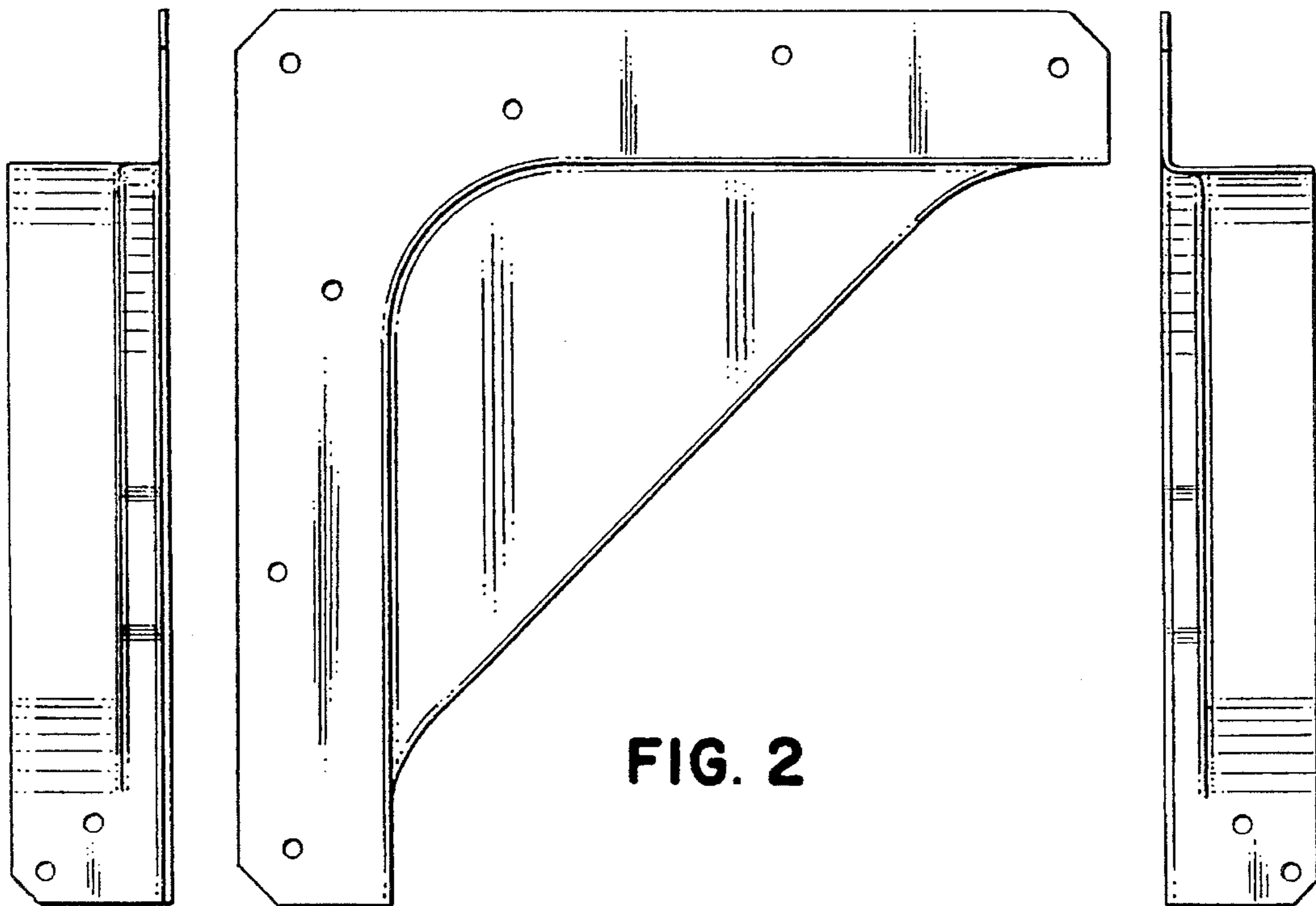


FIG. 2

FIG. 5

FIG. 6

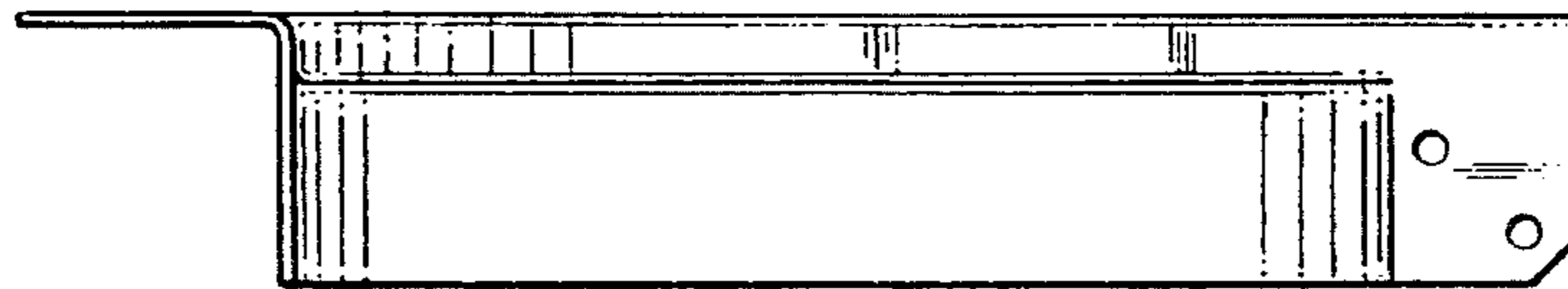


FIG. 4