



US00D364330S

United States Patent [19]
Virzi

[11] **Patent Number: Des. 364,330**

[45] **Date of Patent: **Nov. 21, 1995**

[54] **SLIDING PANELS SECURITY DEVICE**

3,615,114 10/1971 Harris D8/339 X
4,397,499 8/1983 Work et al. 292/259 R

[75] Inventor: **Al Virzi**, Troy, Mich.

Primary Examiner—Brian N. Vinson

[73] Assignee: **G&D Communications Corporation**,
Bloomfield Hills, Mich.

[57] **CLAIM**

[**] Term: **14 Years**

The ornamental design for a sliding panels security device,
as shown and described.

[21] Appl. No.: **20,180**

DESCRIPTION

[22] Filed: **Apr. 14, 1994**

[52] U.S. Cl. **D8/341**

[58] **Field of Search** D8/330-331, 339,
D8/341; 70/77, 89, 90, 95, 97-98; 292/289,
292-294, 259 R, DIG. 20, DIG. 46

FIG. 1 is a top, front, and left side perspective view of a sliding panels security device showing my new design, the broken-line disclosure of a portion of a set of sliding panels being for illustrative purposes only and forming no part of the claimed design;

FIG. 2 is an enlarged top plan view thereof, the bottom being identical in appearance; and,

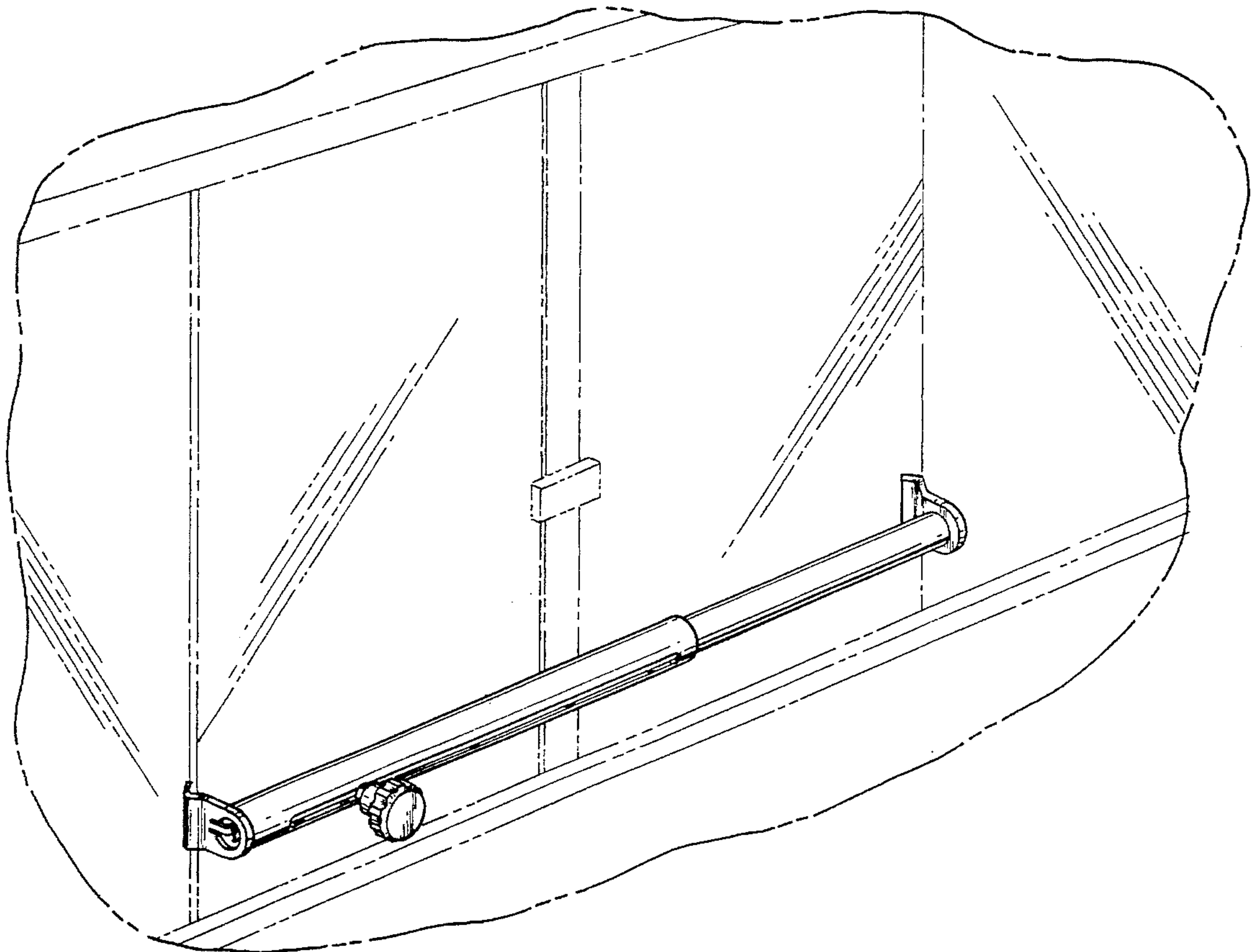
FIG. 3 is an enlarged left side elevational view thereof, the right side being a mirror image of that shown.

[56] **References Cited**

U.S. PATENT DOCUMENTS

D. 236,082 7/1975 Williams D8/339
D. 346,106 4/1994 Walls D8/339

1 Claim, 2 Drawing Sheets



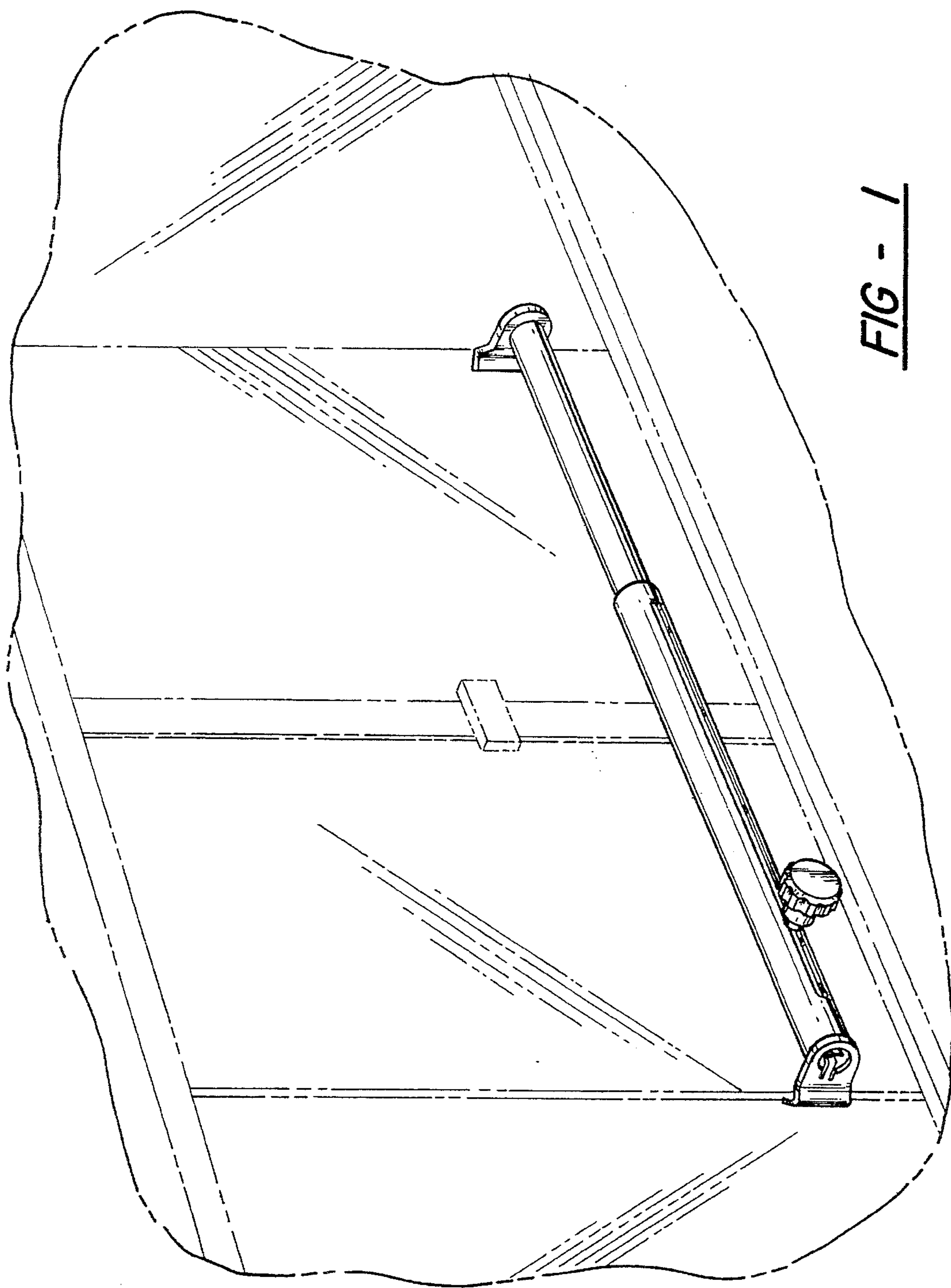


FIG - 2

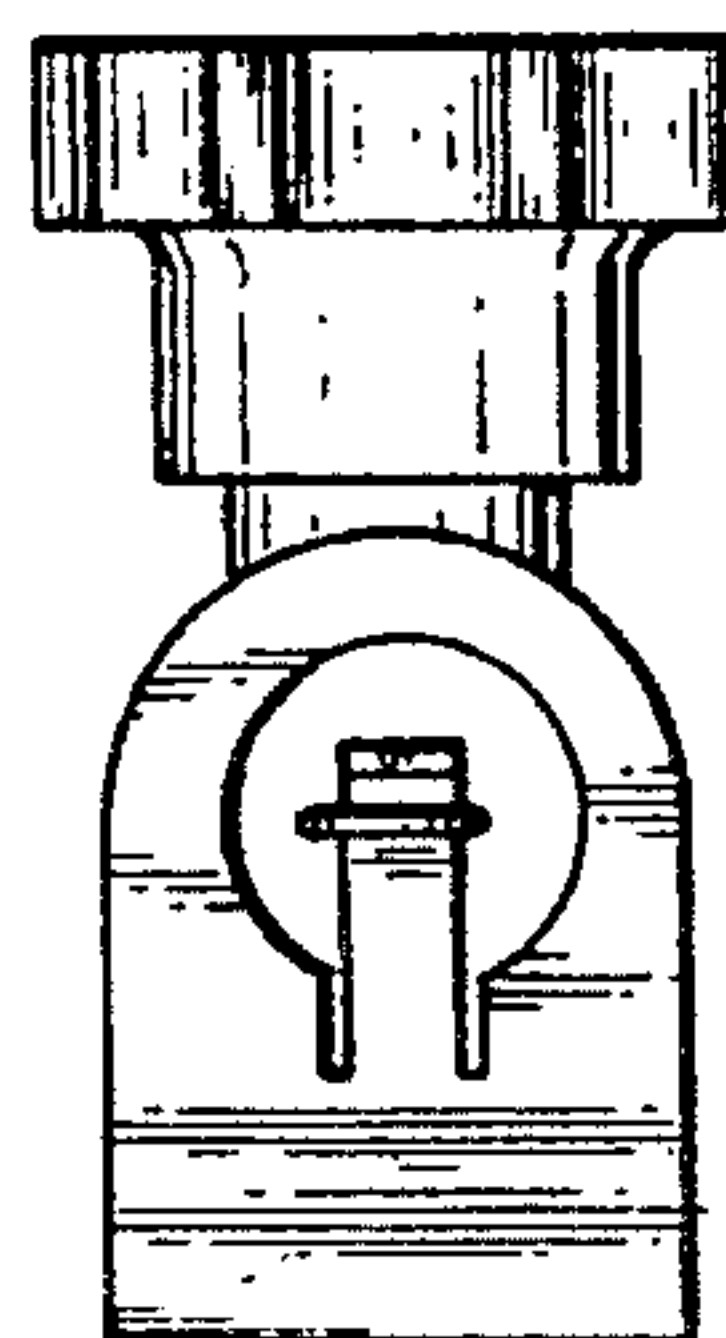
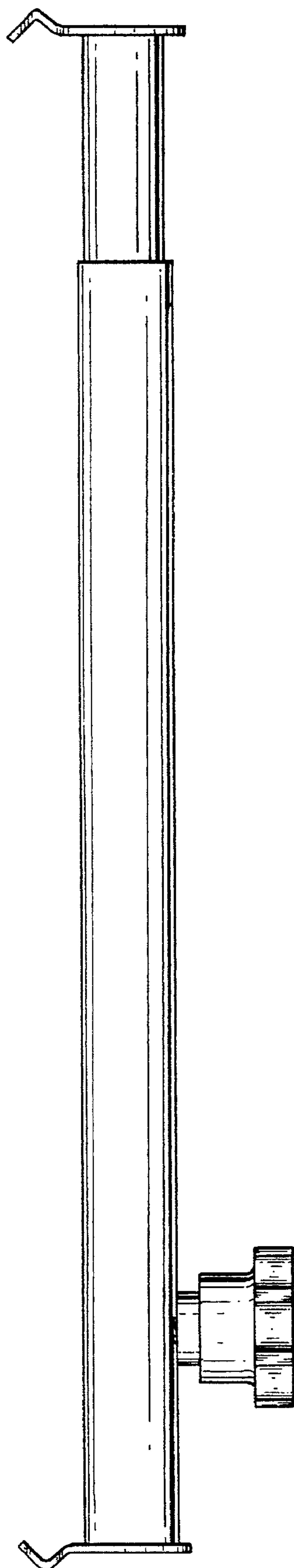


FIG - 3