



US00D364329S

United States Patent [19]

Ziemer et al.

[11] Patent Number: **Des. 364,329**

[45] Date of Patent: ****Nov. 21, 1995**

[54] **SLAM LATCH DESIGN**

[75] Inventors: **Lynn B. Ziemer**, Ridley Park; **Robert D. Alyanakian**, West Chester, both of Pa.

[73] Assignee: **Southco, Inc.**, Concordville, Pa.

[**] Term: **14 Years**

[21] Appl. No.: **29,092**

[22] Filed: **Sep. 29, 1994**

Related U.S. Application Data

[63] Continuation of Ser. No. 21,404, Apr. 15, 1994, Pat. No. Des. 357,396, which is a continuation of Ser. No. 11,013, Jul. 23, 1993, abandoned.

[52] **U.S. Cl.** **D8/331**

[58] **Field of Search** D8/330-331, 339, D8/341, 302, 306-307, 310, 313; 70/77-78, 79, 91, 101, 162; 292/57, 80, 95, 121, 137, 163, 177, DIG. 11, DIG. 12

[56] References Cited

U.S. PATENT DOCUMENTS

D. 208,088 7/1967 Banner D8/341 X

D. 230,132 1/1974 Pastva, Jr. D8/341
D. 324,636 3/1992 Schlack et al. D8/331
3,389,932 6/1968 Pastva, Jr. 292/337

Primary Examiner—Brian N. Vinson
Attorney, Agent, or Firm—Paul and Paul

[57] CLAIM

The ornamental design for a slam latch, as shown.

DESCRIPTION

FIG. 1 is a perspective view of one embodiment of a slam latch embodying our design;

FIG. 2 is a left side elevational view thereof;

FIG. 3 is a top plan view thereof;

FIG. 4 is a right side elevational view thereof;

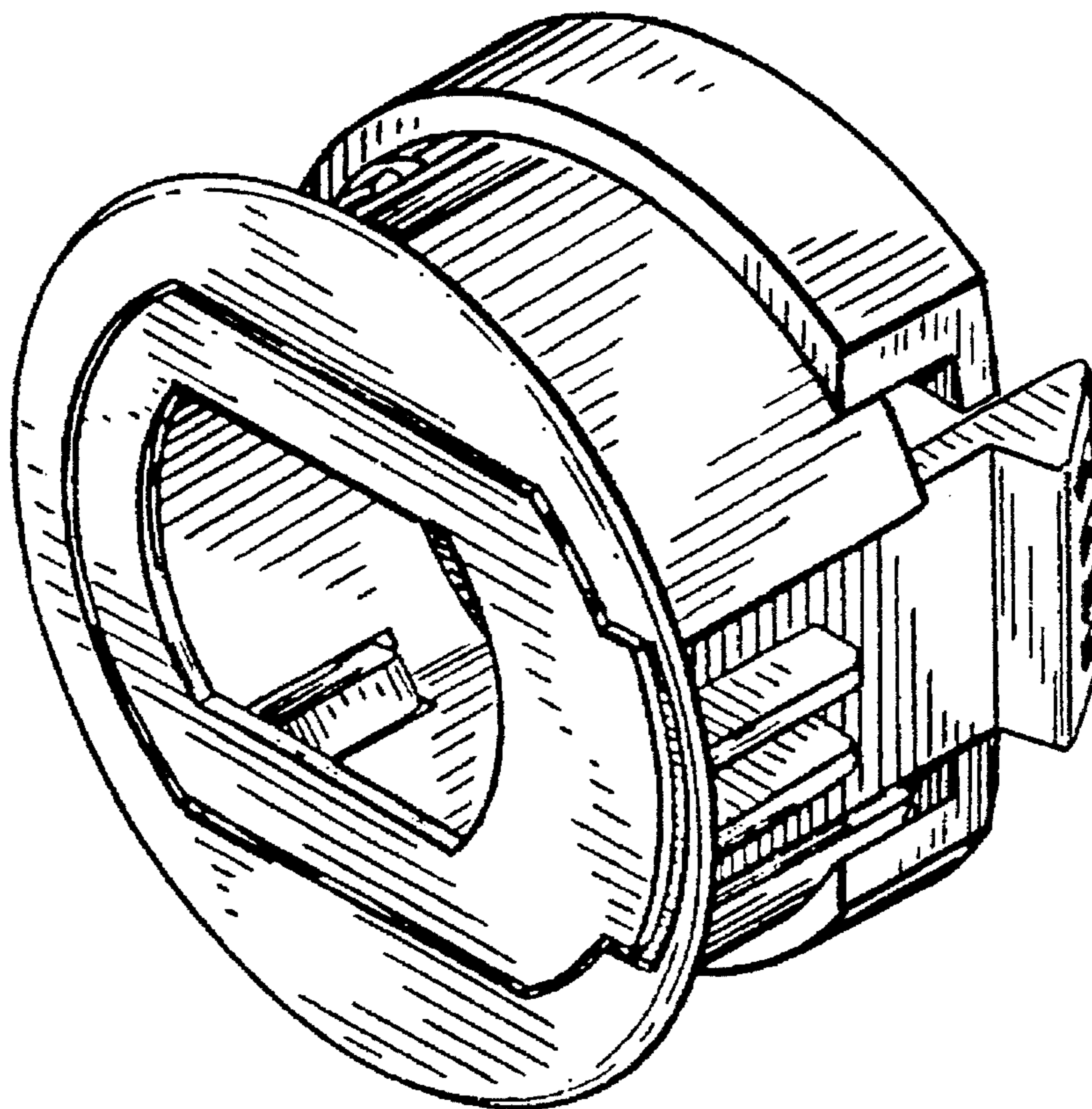
FIG. 5 is a front elevational view thereof;

FIG. 6 is a rear elevational view thereof; and,

FIG. 7 is a bottom plan view thereof.

The broken lines showing a panel in which the slam latch is mounted is for illustrative purposes only and forms no part of the claimed design.

1 Claim, 2 Drawing Sheets



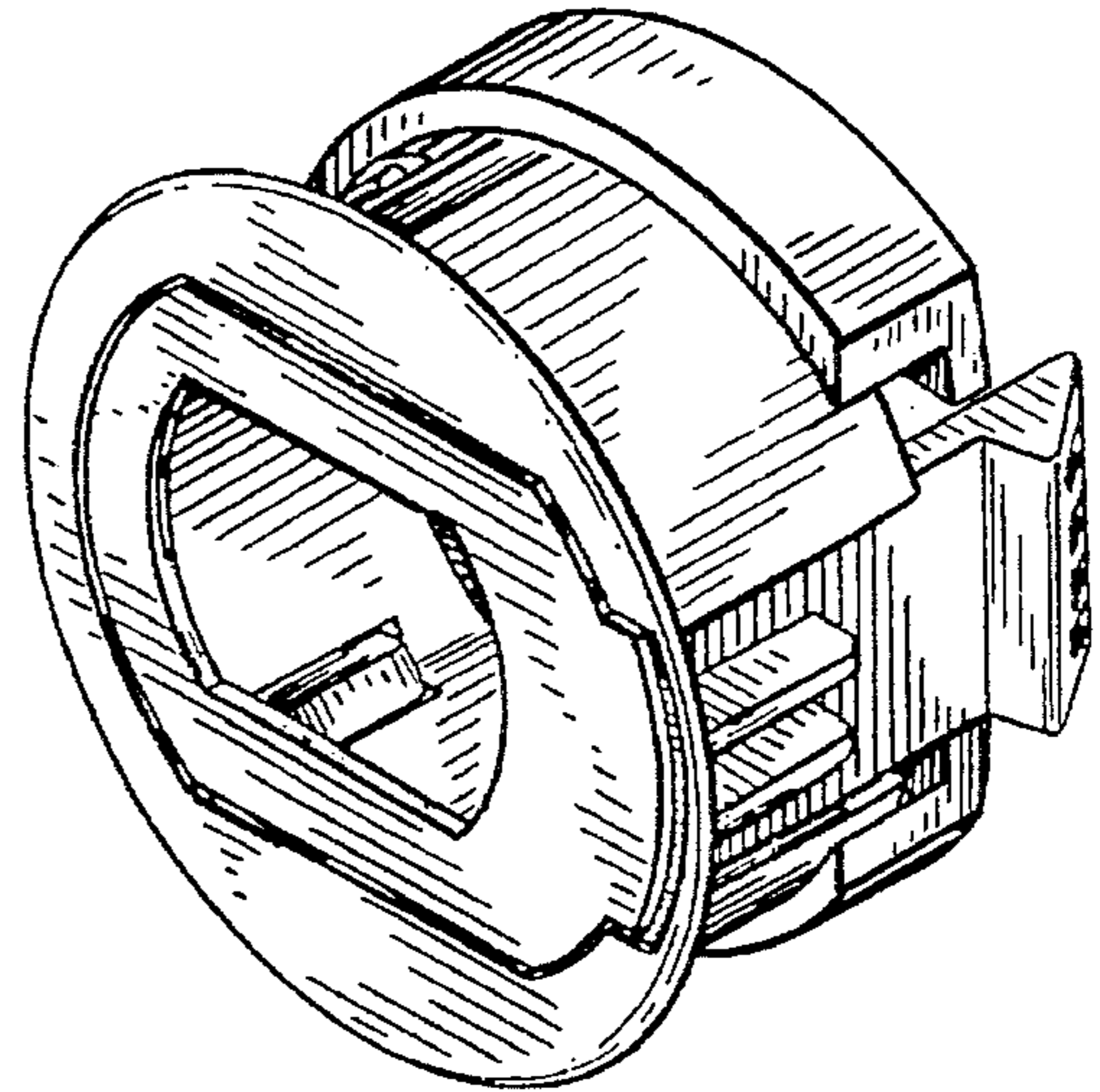


Fig. 1

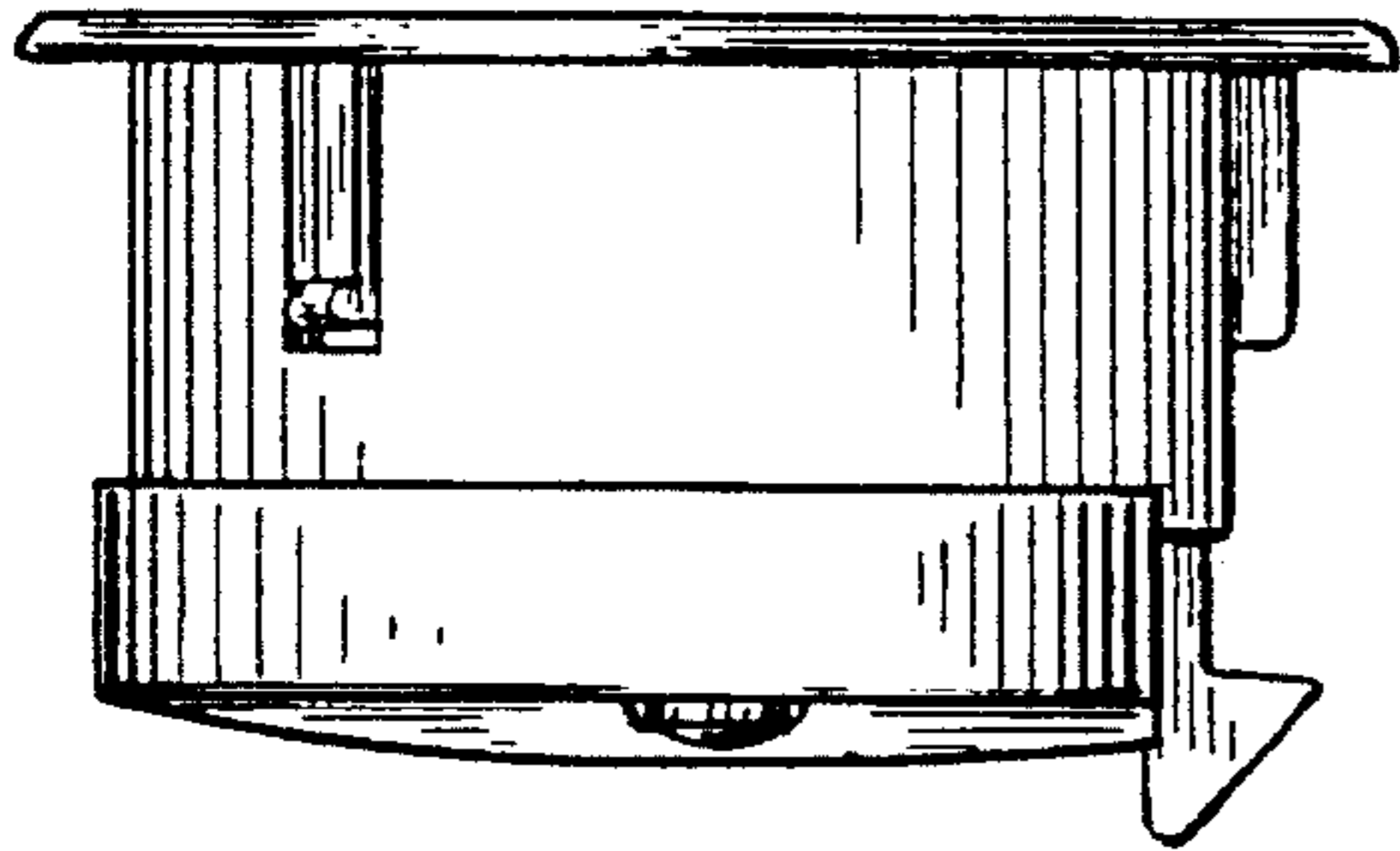


Fig. 4

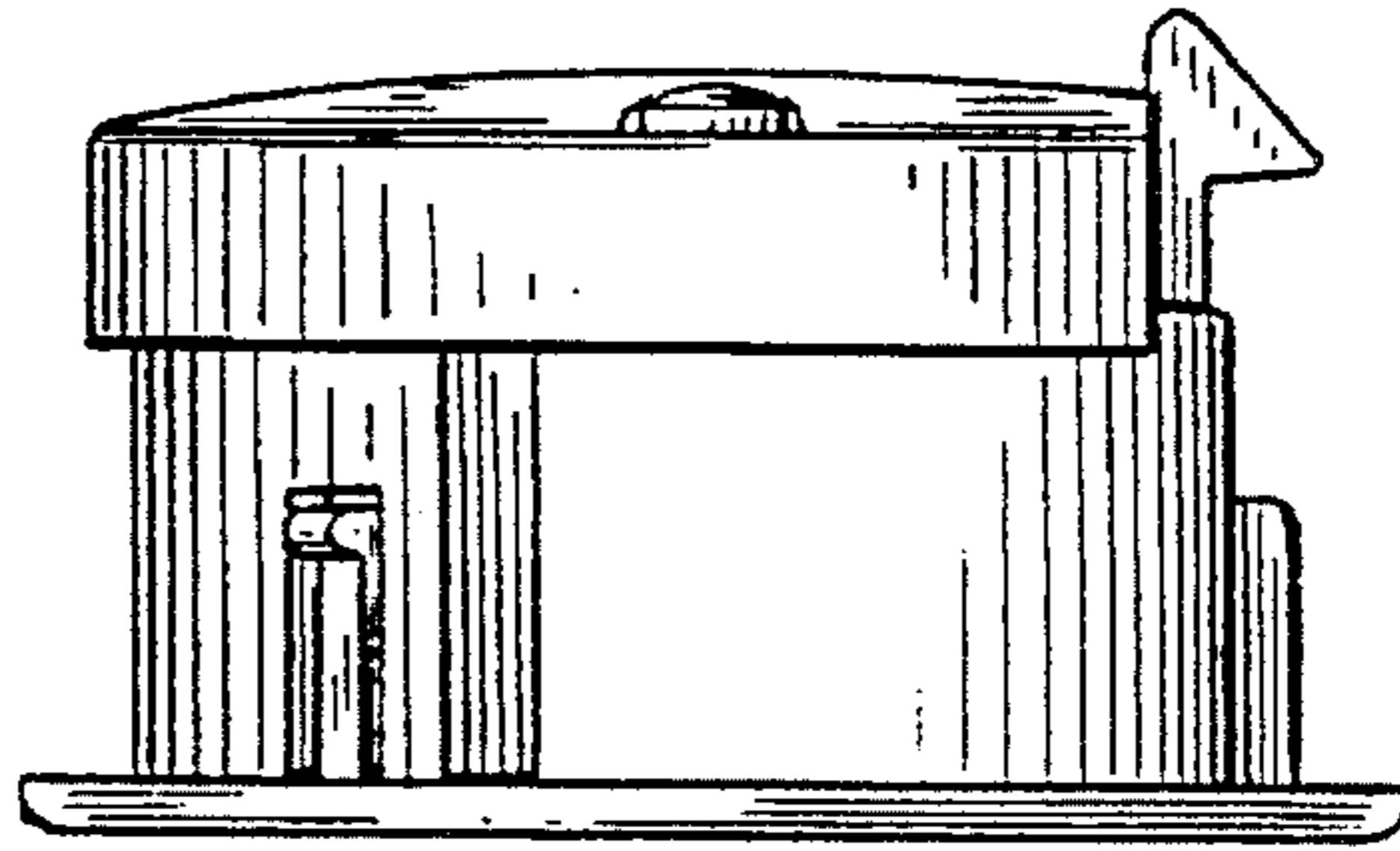


Fig. 2

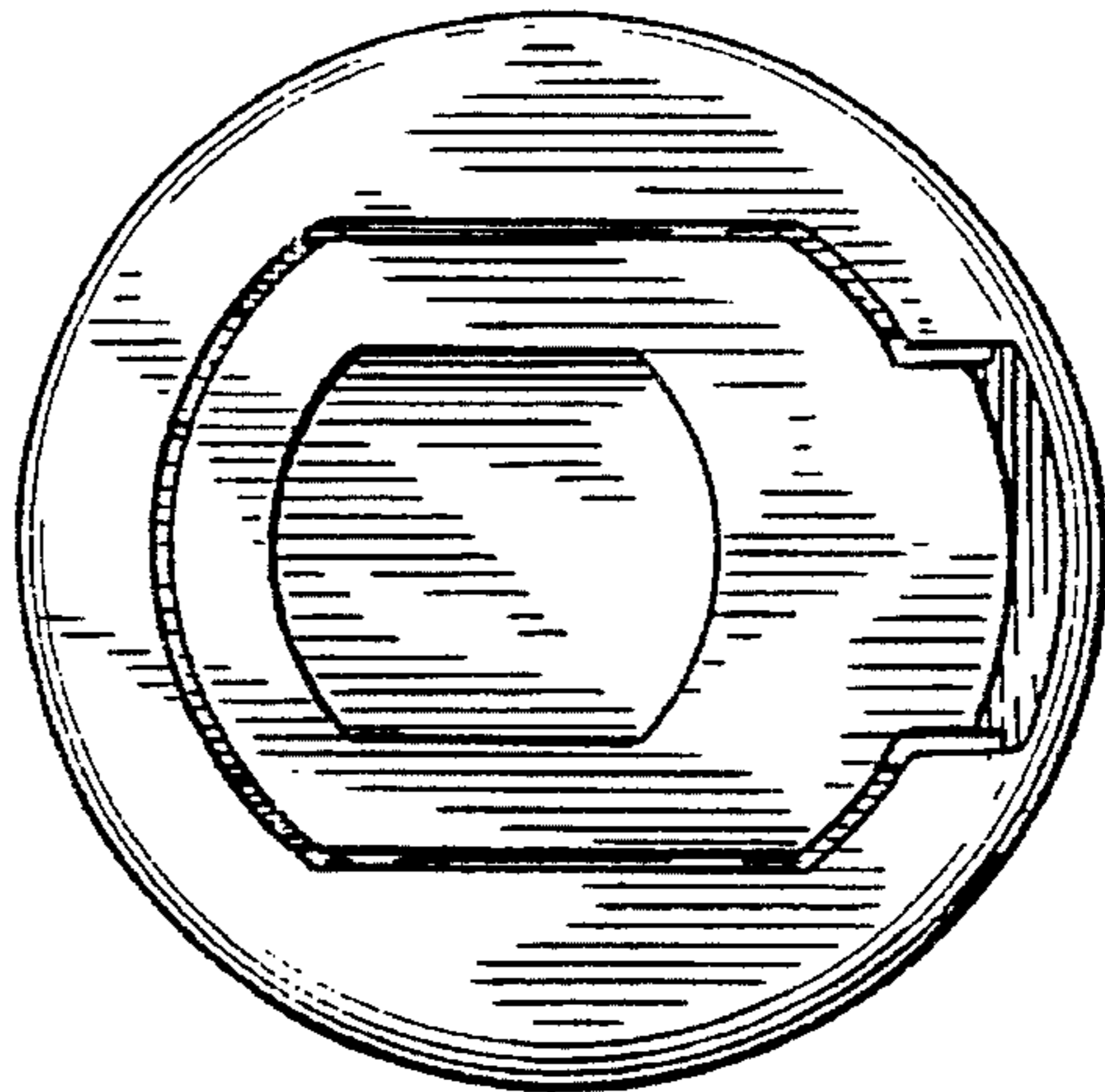


Fig. 3

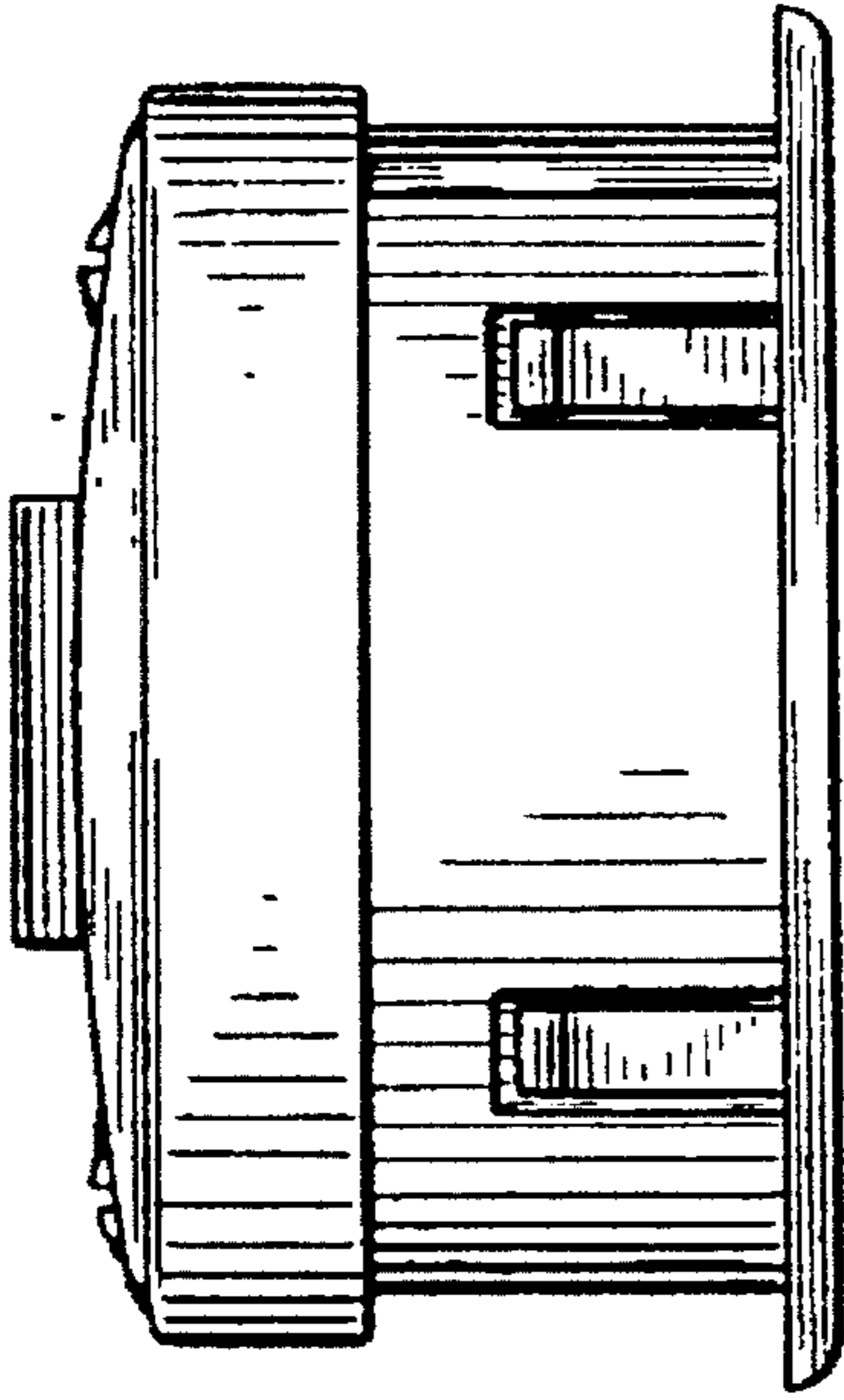


Fig. 6

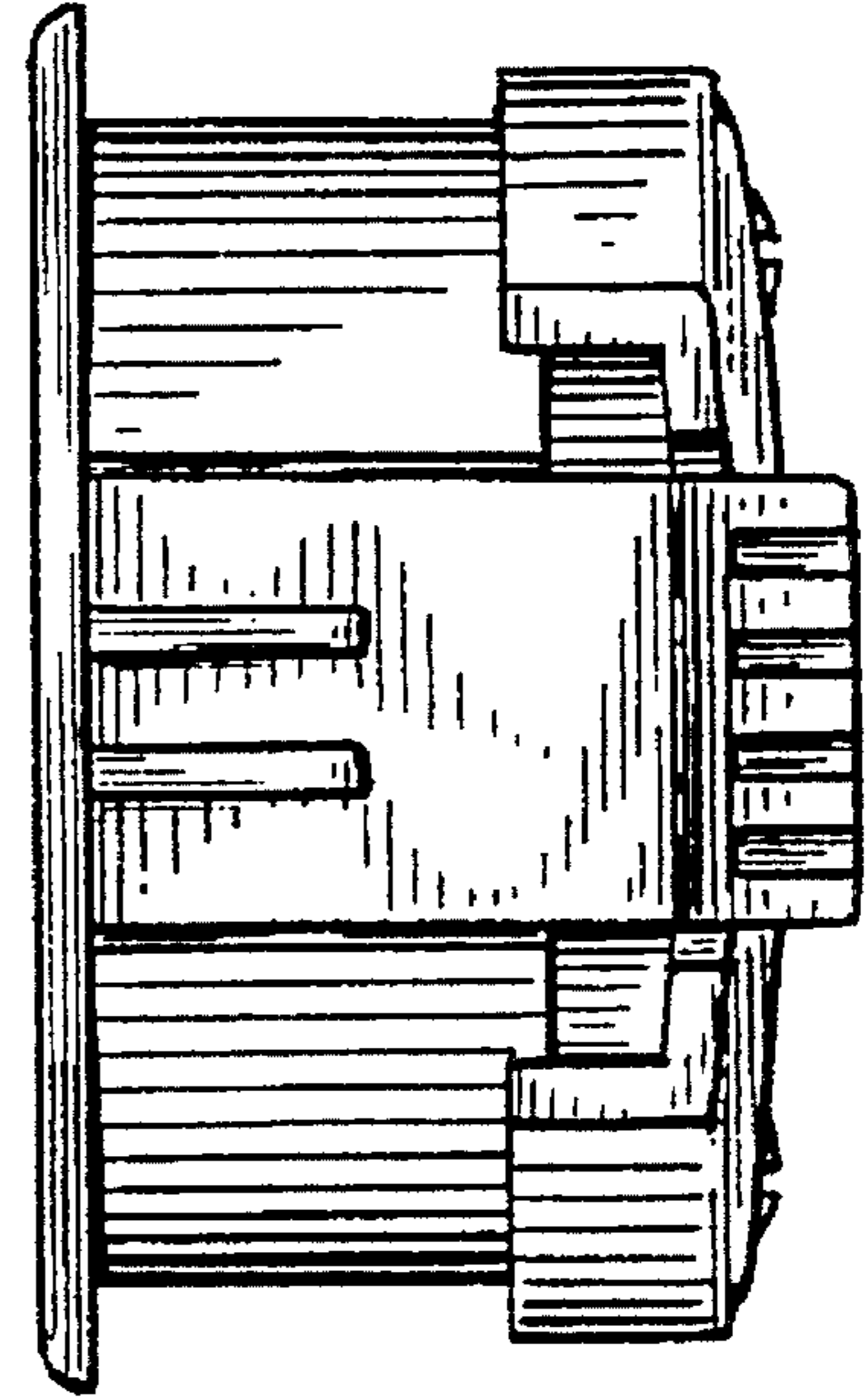


Fig. 5

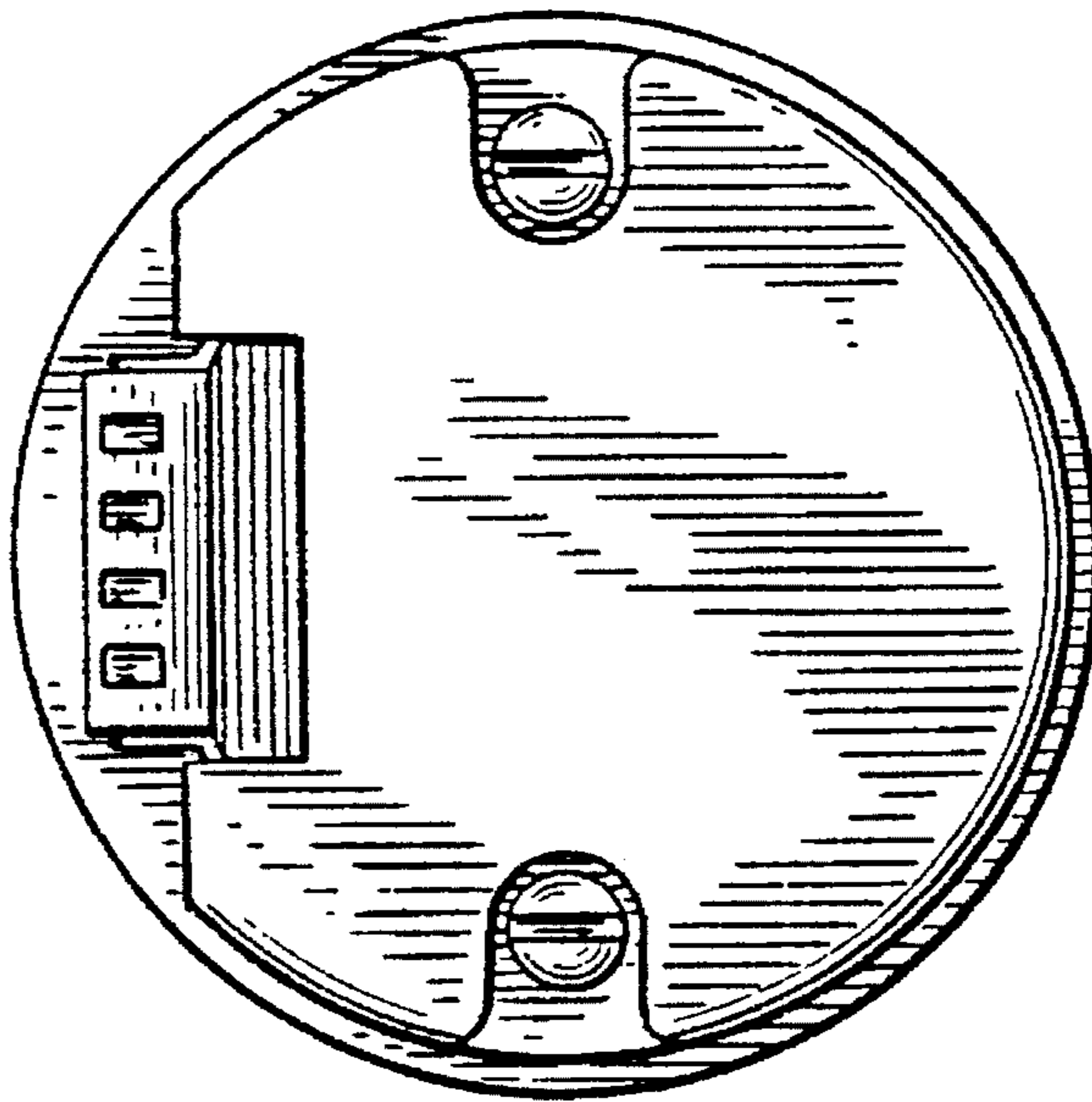


Fig. 7