



US00D364327S

**United States Patent** [19]  
**Graham**

[11] **Patent Number: Des. 364,327**

[45] **Date of Patent: \*\*Nov. 21, 1995**

[54] **UTILITY POCKETKNIFE**

[76] Inventor: **William Graham**, P.O. Box 53,  
Tazewell, Va. 24651

[\*\*] Term: **14 Years**

[21] Appl. No.: **27,694**

[22] Filed: **Aug. 29, 1994**

[52] U.S. Cl. .... **D8/105; D8/99**

[58] Field of Search ..... D8/99, 105; D26/38;  
D22/118; 7/118; 362/119; 30/155

[56] **References Cited**

**U.S. PATENT DOCUMENTS**

D. 311,124	10/1990	Learney	.....	D8/99
D. 321,637	11/1991	Chan	.....	D8/99
D. 332,384	1/1993	Dague	.....	D8/105
D. 350,271	9/1994	Landy et al.	.....	D8/105
4,856,132	8/1989	Burns et al.	.....	7/118

**OTHER PUBLICATIONS**

Hoffritz Holiday Catalog 1988, p. 25. Hoffritz SOS Swiss Army Knife Kit, top of page.

*Primary Examiner*—Ted Shooman

*Assistant Examiner*—Philip Hyder  
*Attorney, Agent, or Firm*—Kevin A. Sembrat

[57] **CLAIM**

The ornamental design for a utility pocketknife, as shown and described.

**DESCRIPTION**

FIG. 1 is a top, front, and left side perspective view of a utility pocketknife showing my new design, shown with utensils in a partially exposed position;

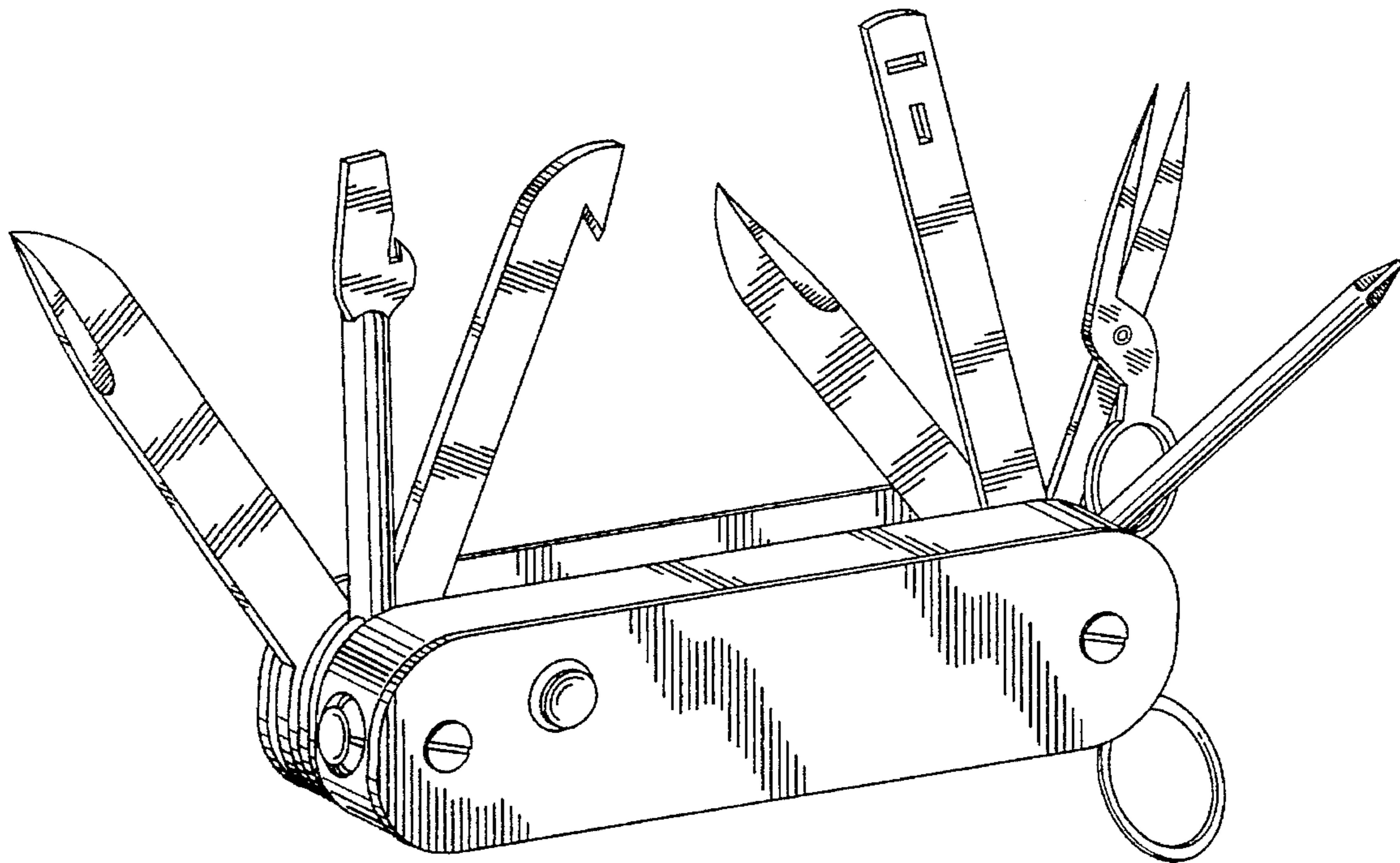
FIG. 2 is a top, front and left side perspective view thereof, shown with utensils in a folded position;

FIG. 3 is a top plan view thereof;

FIG. 4 is a left side elevational view thereof; and,

FIG. 5 is a bottom, rear and right side perspective view thereof, shown with utensils in a partially exposed position.

**1 Claim, 2 Drawing Sheets**



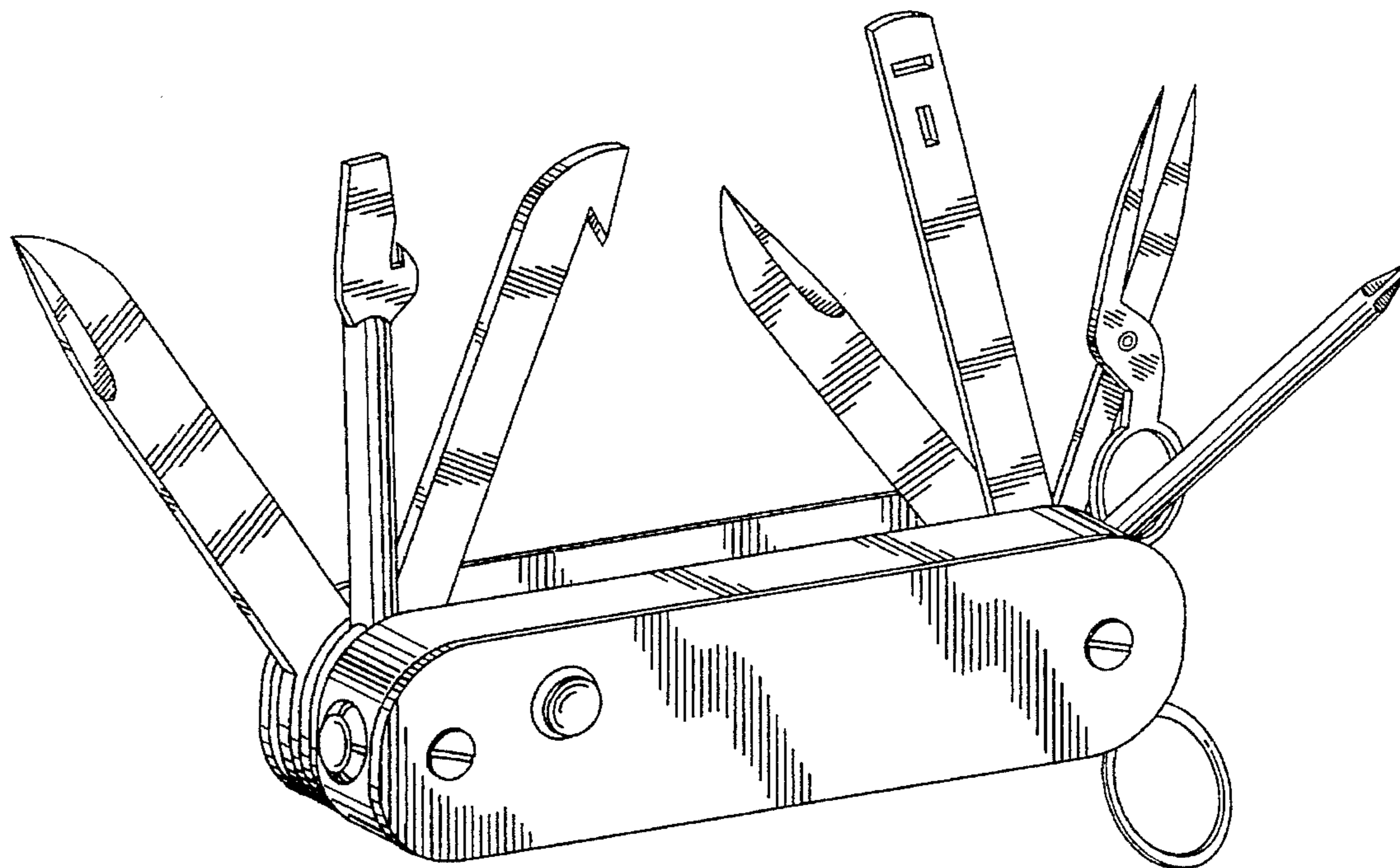


Fig. 1

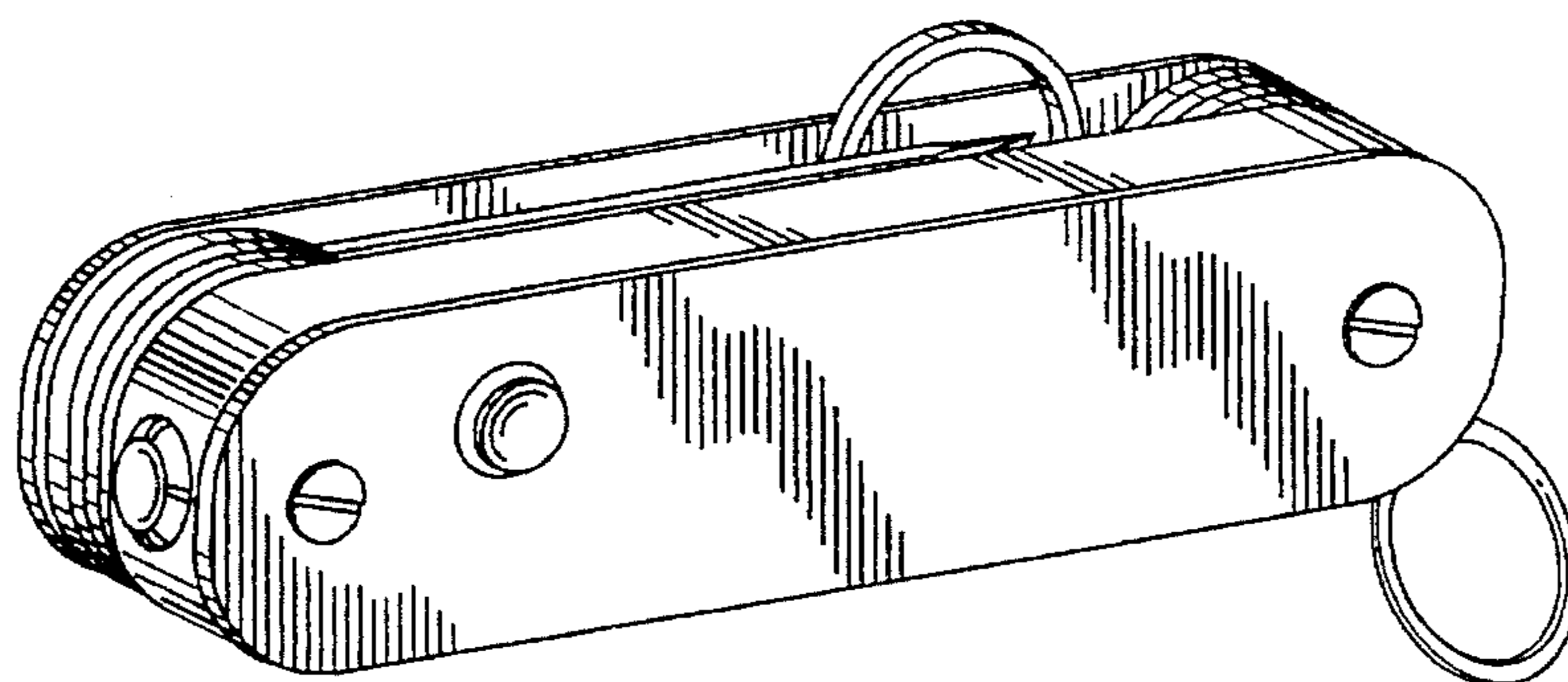


Fig. 2

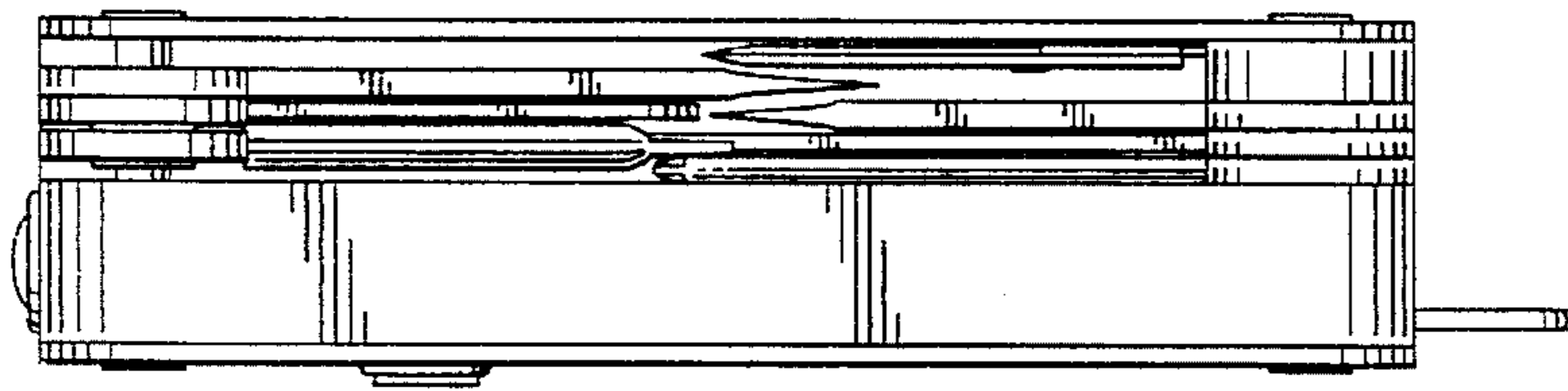


Fig. 3

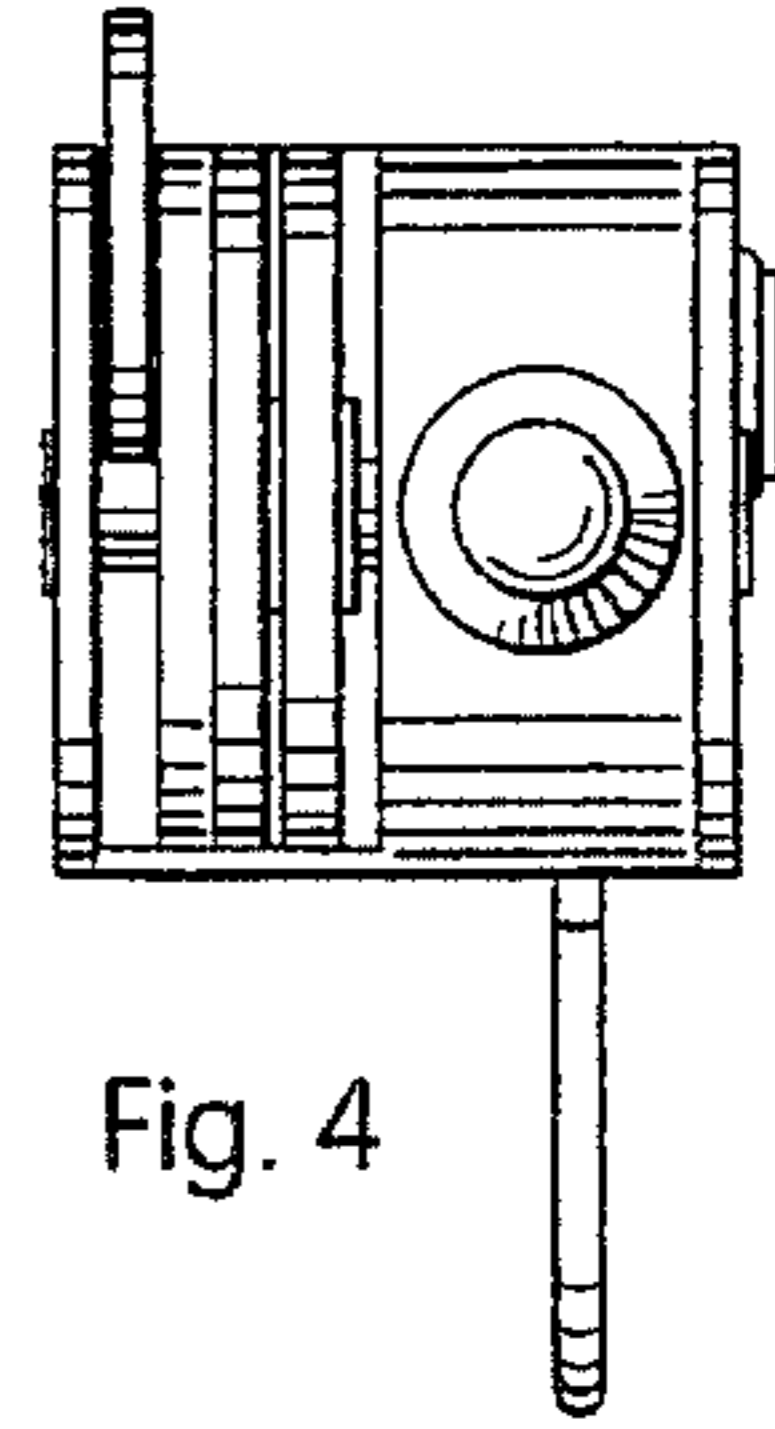


Fig. 4

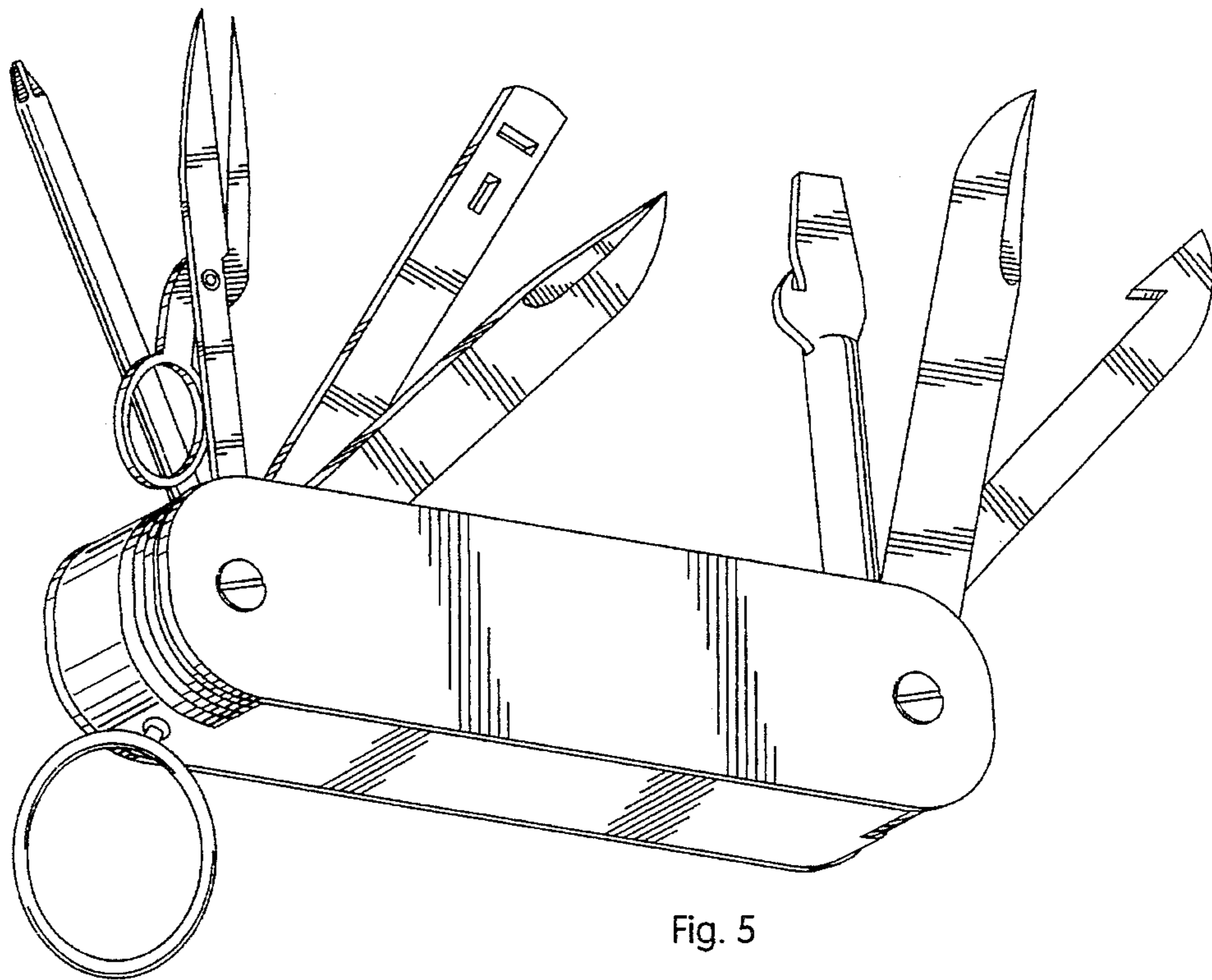


Fig. 5