



US00D364326S

# United States Patent [19]

[11] Patent Number: **Des. 364,326**

Lohse et al.

[45] Date of Patent: **\*\*Nov. 21, 1995**

[54] CHAIN SAW

D. 218,549 9/1970 Condon et al. .... D8/65

[75] Inventors: **Georg Lohse**, Waiblingen; **Karl Förderer**, Schwaikheim; **Klaus Höppner**, Marbach; **Michael P. G. Tinius**, Elchingen, all of Germany

D. 256,584 8/1980 Tuggle et al. .... D8/65

D. 295,713 5/1988 Nagashima et al. .... D8/65

D. 303,207 9/1989 Nakajima ..... D8/65

[73] Assignee: **Andreas Stihl**, Waiblingen, Germany

*Primary Examiner*—Alan P. Douglas

*Assistant Examiner*—Jeffrey H. Musgrove

*Attorney, Agent, or Firm*—Robert W. Becker & Associates

[\*\*] Term: **14 Years**

## [57] CLAIM

[21] Appl. No.: **27,011**

The ornamental design for a chain saw, as shown and described.

[22] Filed: **Aug. 10, 1994**

## DESCRIPTION

### [30] Foreign Application Priority Data

FIG. 1 is a frontal perspective view showing our novel configuration for a chain saw design;

FIG. 2 is a rear view thereof;

FIG. 3 is a side view thereof from the left side;

FIG. 4 is a side view thereof from the right side;

FIG. 5 is a front view thereof;

FIG. 6 is a top view thereof; and,

FIG. 7 is a bottom view thereof.

Feb. 12, 1994 [DE] Germany ..... M9401412.4

[52] U.S. Cl. .... **D8/65**

[58] Field of Search ..... D8/65, 61, 62, D8/63, 64; 30/381, 382, 383, 384, 385

### [56] References Cited

#### U.S. PATENT DOCUMENTS

D. 176,963 2/1956 Mall et al. .... D8/65

**1 Claim, 7 Drawing Sheets**

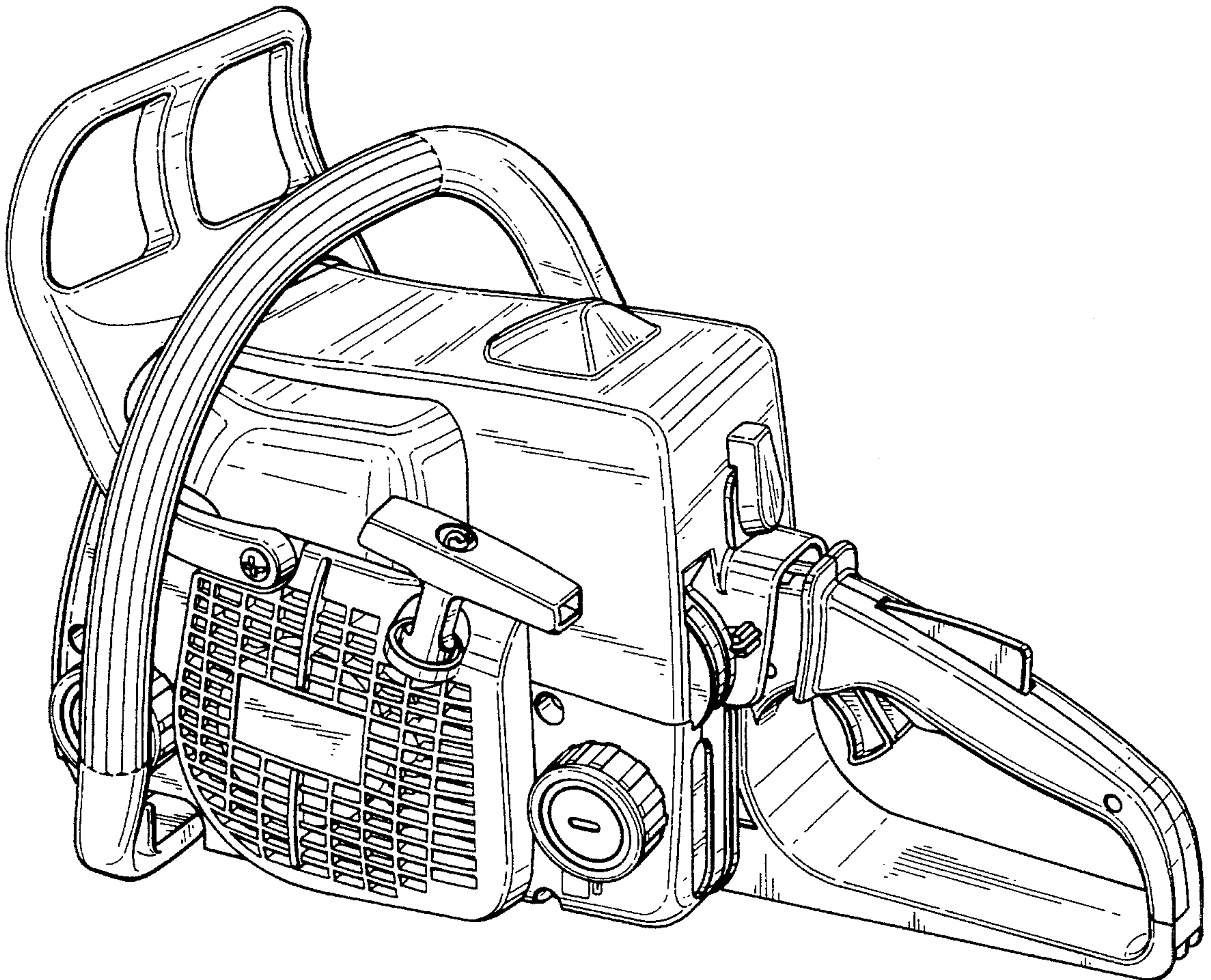


Fig. 1

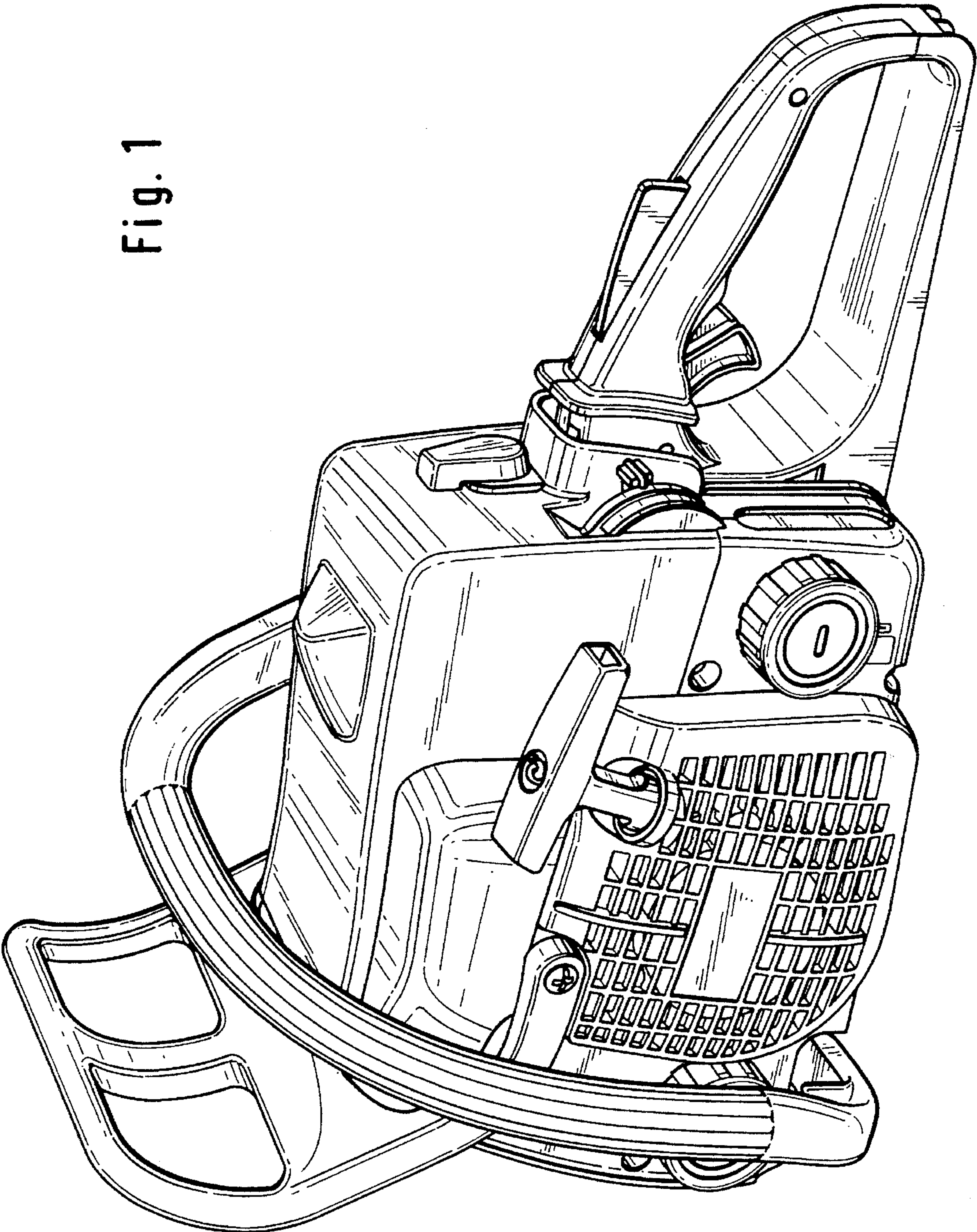




Fig. 2

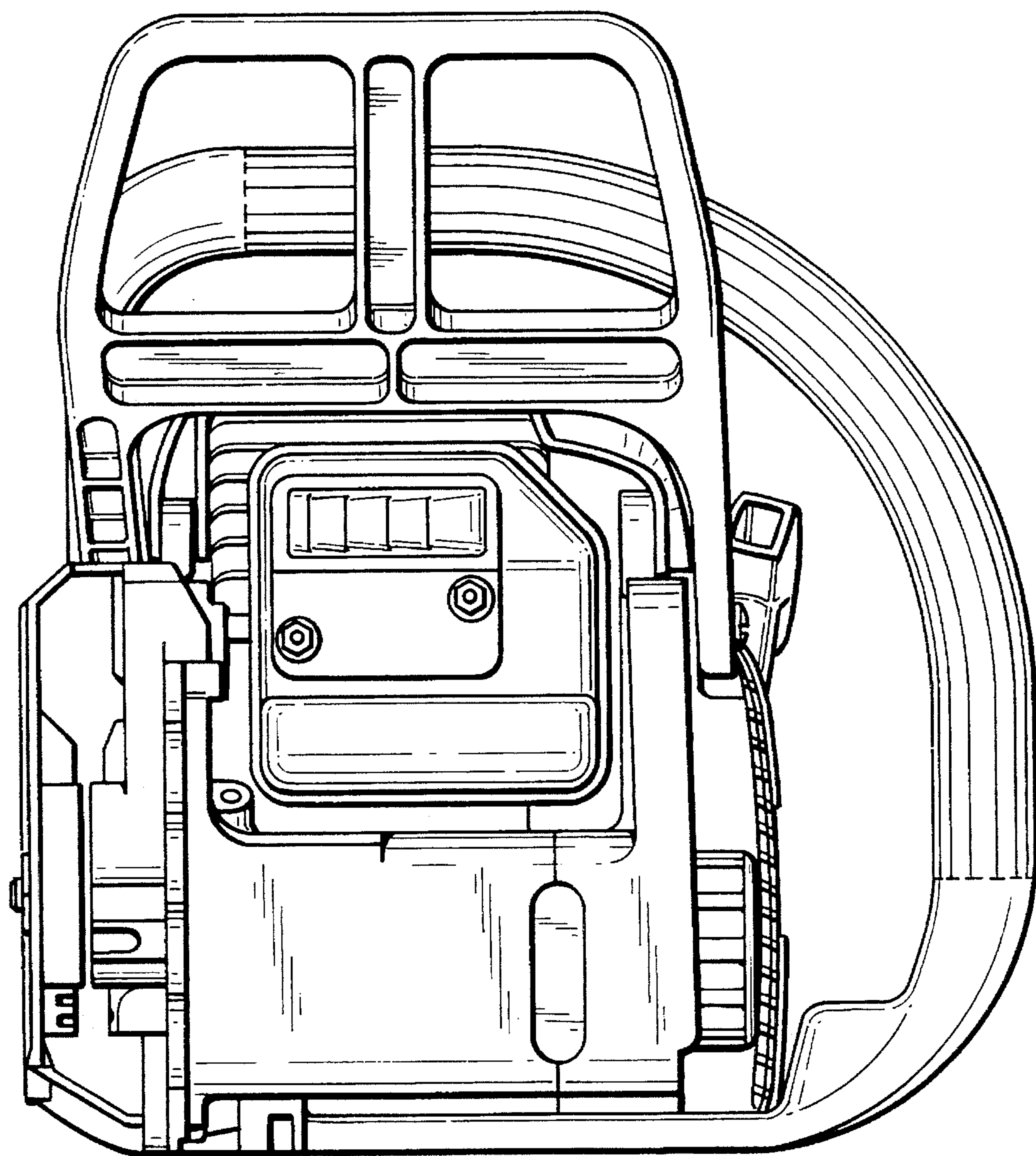
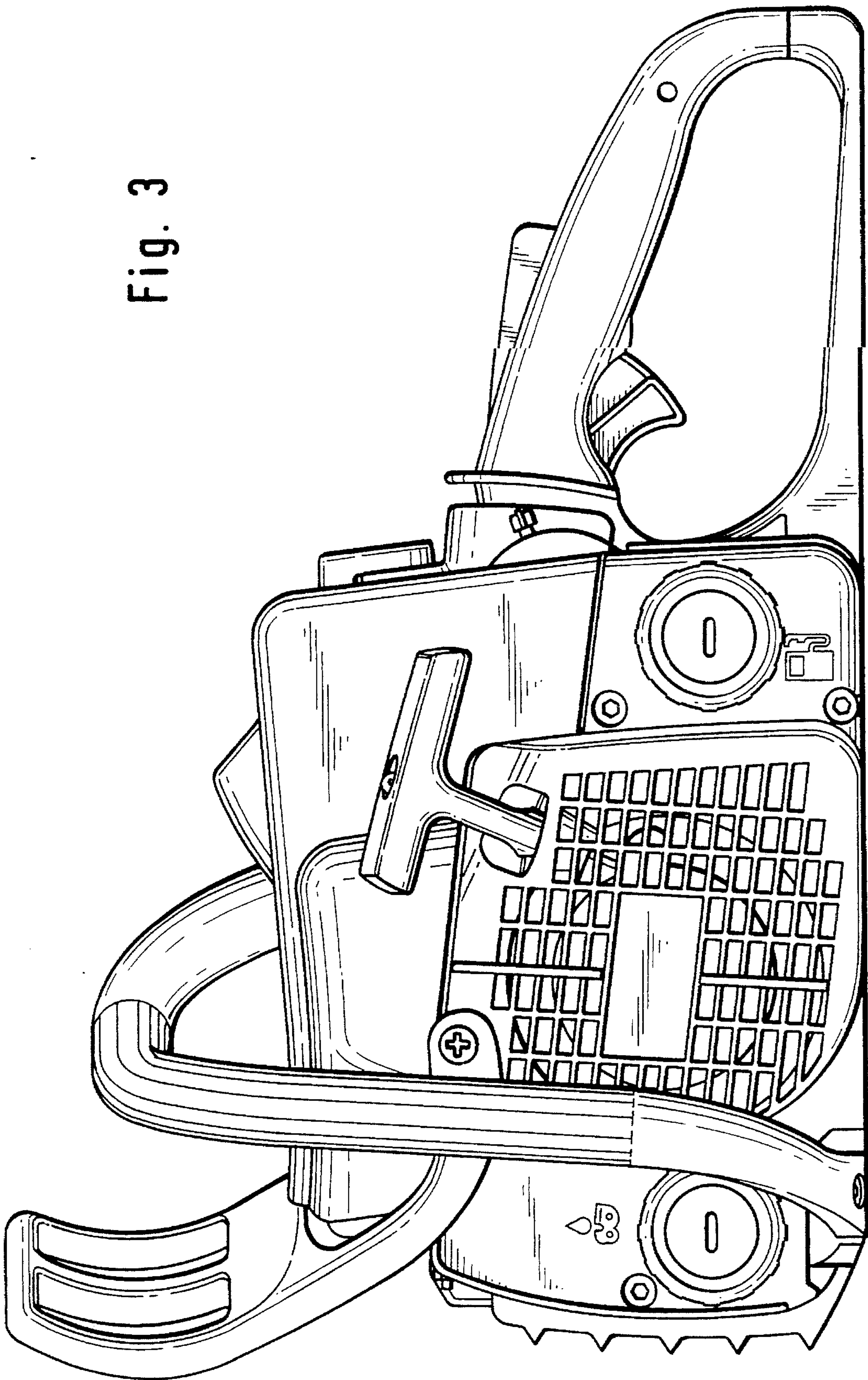


Fig. 3



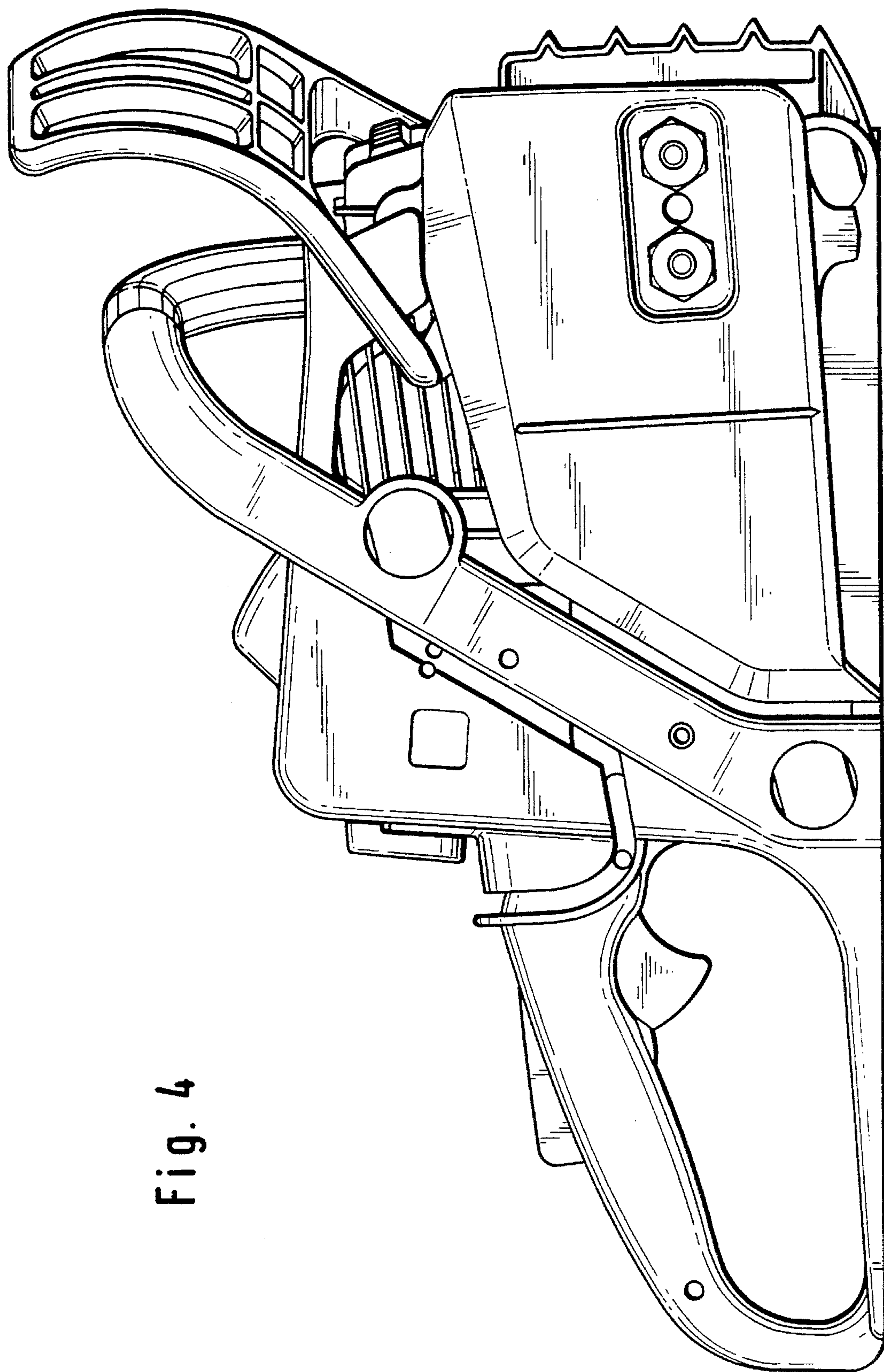


Fig. 4



Fig. 5

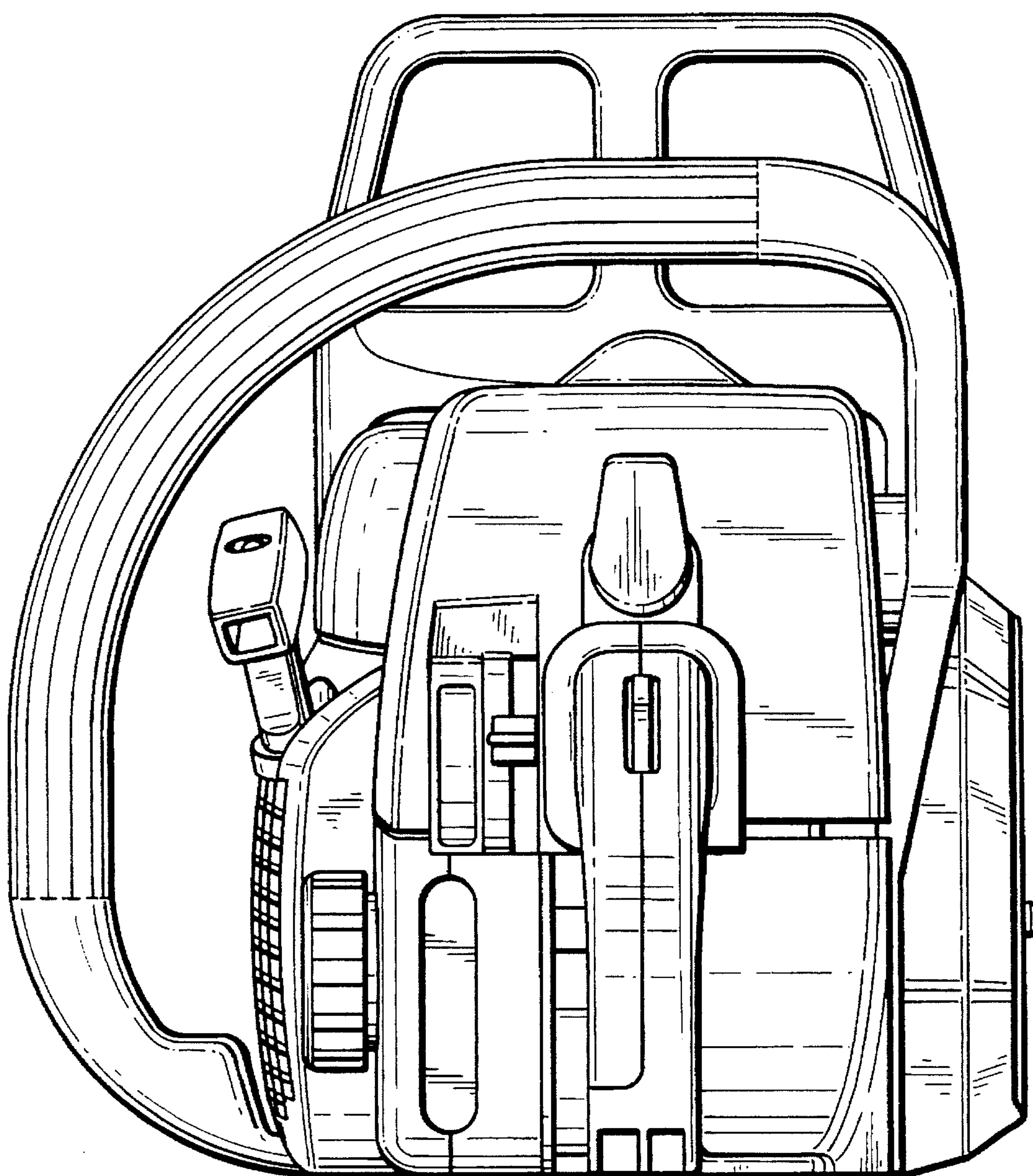


Fig. 6

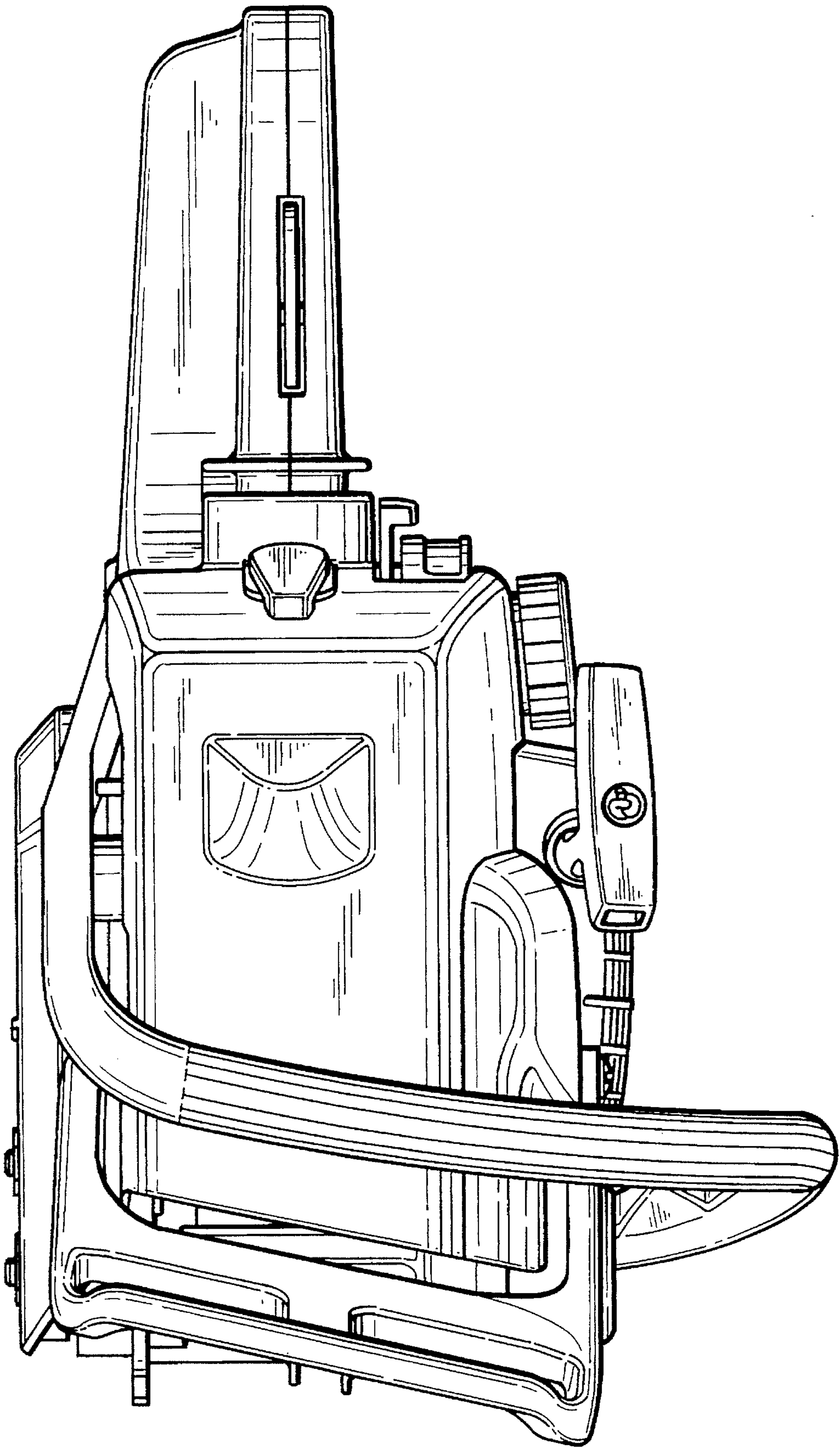


Fig. 7

