



US00D364325S

**United States Patent** [19]  
**Jetter**

[11] **Patent Number: Des. 364,325**

[45] **Date of Patent: \*\*Nov. 21, 1995**

[54] **SHANK AND BLADE PORTION OF A STAPLE REMOVER**

[76] Inventor: **Richard J. Jetter**, 1887 Ridgeway Dr., Clearwater, Fla. 34615

[\*\*] Term: **14 Years**

[21] Appl. No.: **27,365**

[22] Filed: **Aug. 19, 1994**

[52] U.S. Cl. .... **D8/48**

[58] Field of Search ..... D8/40, 48, 49; 254/28

[56] **References Cited**

**U.S. PATENT DOCUMENTS**

|           |         |              |        |
|-----------|---------|--------------|--------|
| 3,698,689 | 10/1972 | Poskin       | 254/28 |
| 4,026,521 | 5/1977  | Clark        | 254/28 |
| 4,049,236 | 9/1977  | Grill et al. | 254/28 |
| 5,031,881 | 7/1991  | Thurmston    | 254/28 |

*Primary Examiner*—Terry A. Wallace

*Assistant Examiner*—Adir Aronovich  
*Attorney, Agent, or Firm*—Herbert W. Larson; James E. Larson

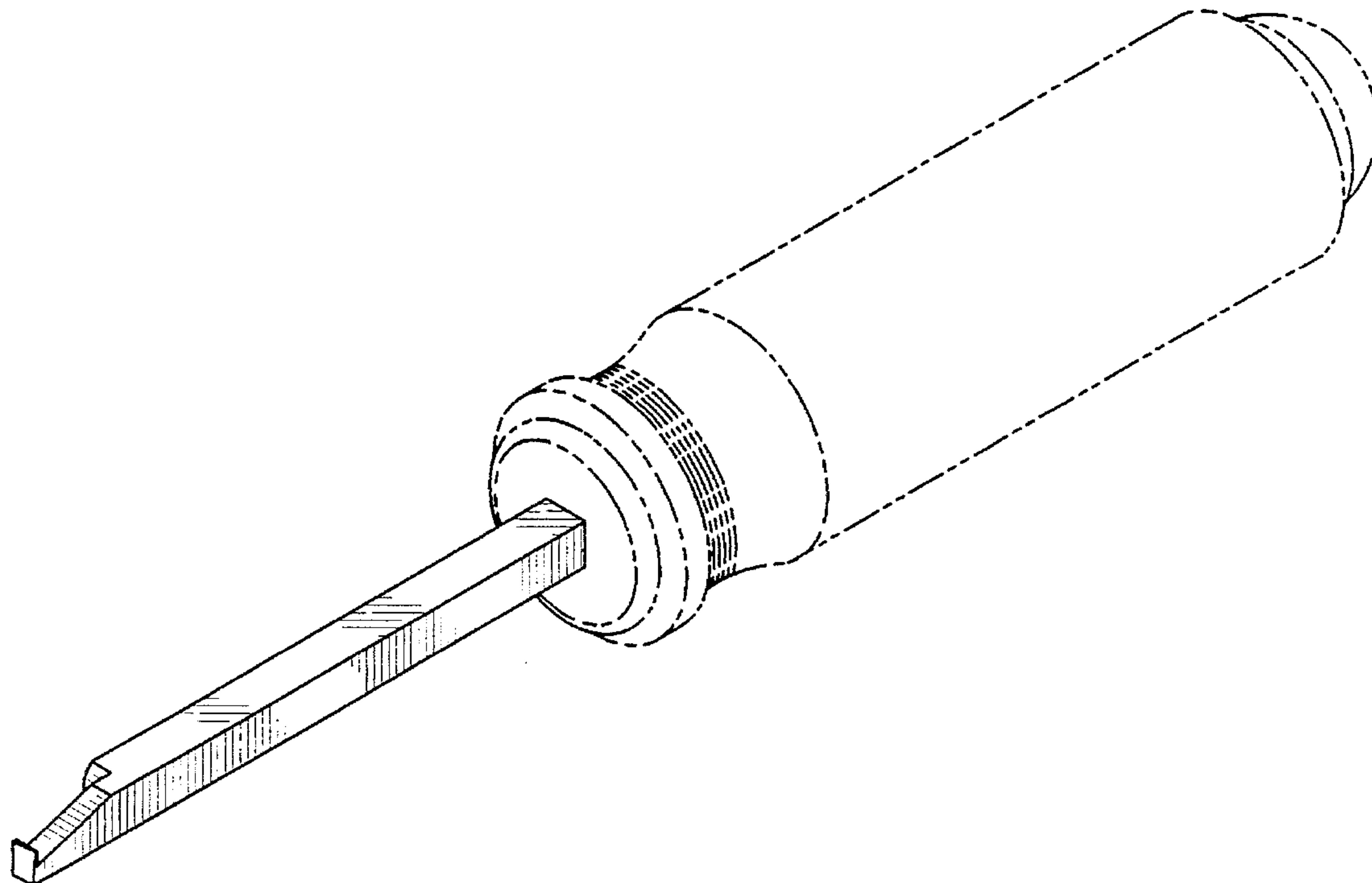
[57] **CLAIM**

The ornamental design for a shank and blade portion of a staple remover, as shown and described.

**DESCRIPTION**

FIG. 1 is a perspective view of a shank and blade portion of a staple remover showing my new design;  
FIG. 2 is a front elevational view thereof;  
FIG. 3 is a back elevational view thereof;  
FIG. 4 is a left side elevational view thereof;  
FIG. 5 is a right side elevational view thereof;  
FIG. 6 is a top plan view thereof; and,  
FIG. 7 is a bottom plan view thereof.  
The broken line showing of a handle is for illustrative purposes only and forms no part of the claimed design.

**1 Claim, 4 Drawing Sheets**



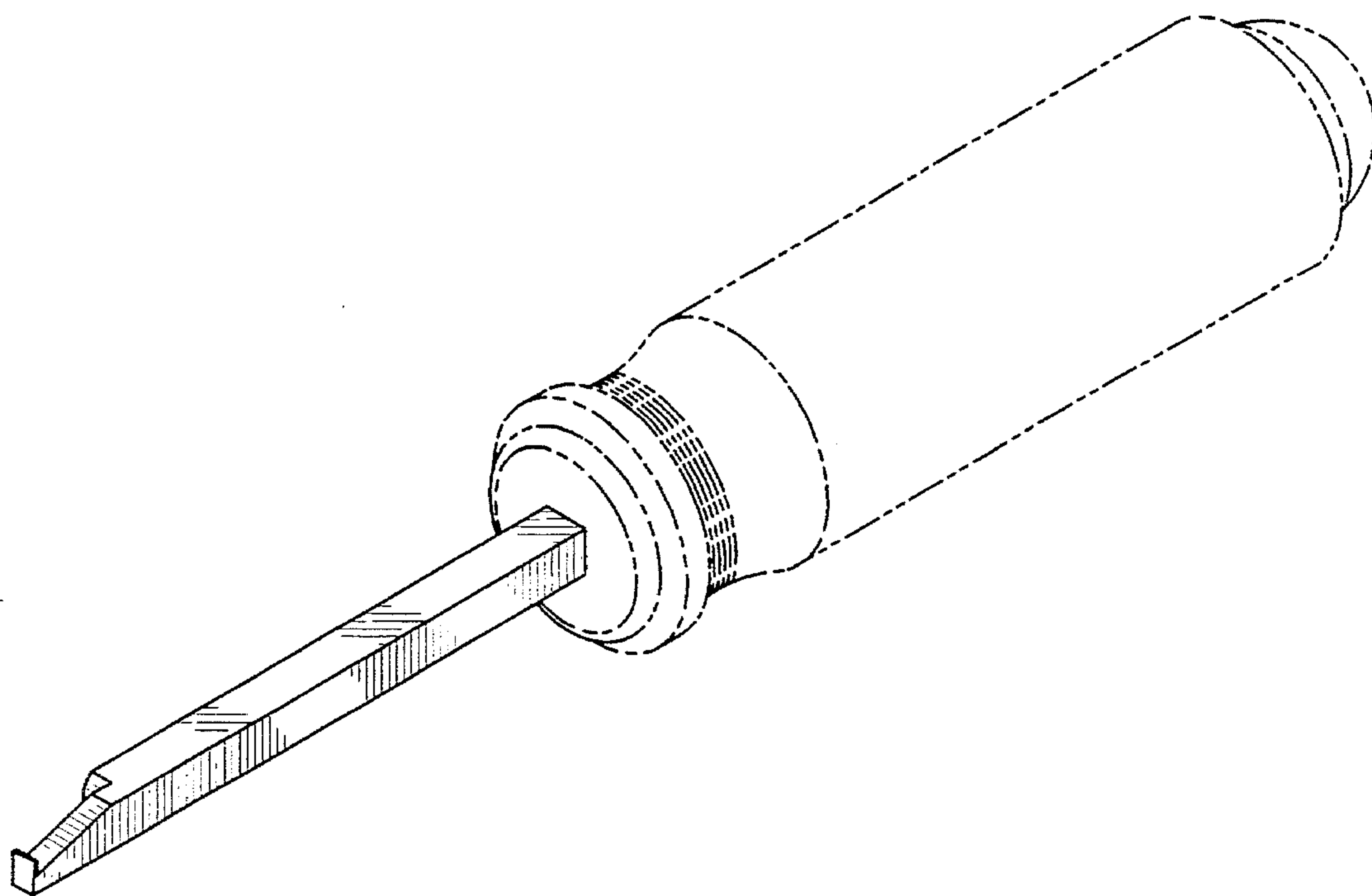
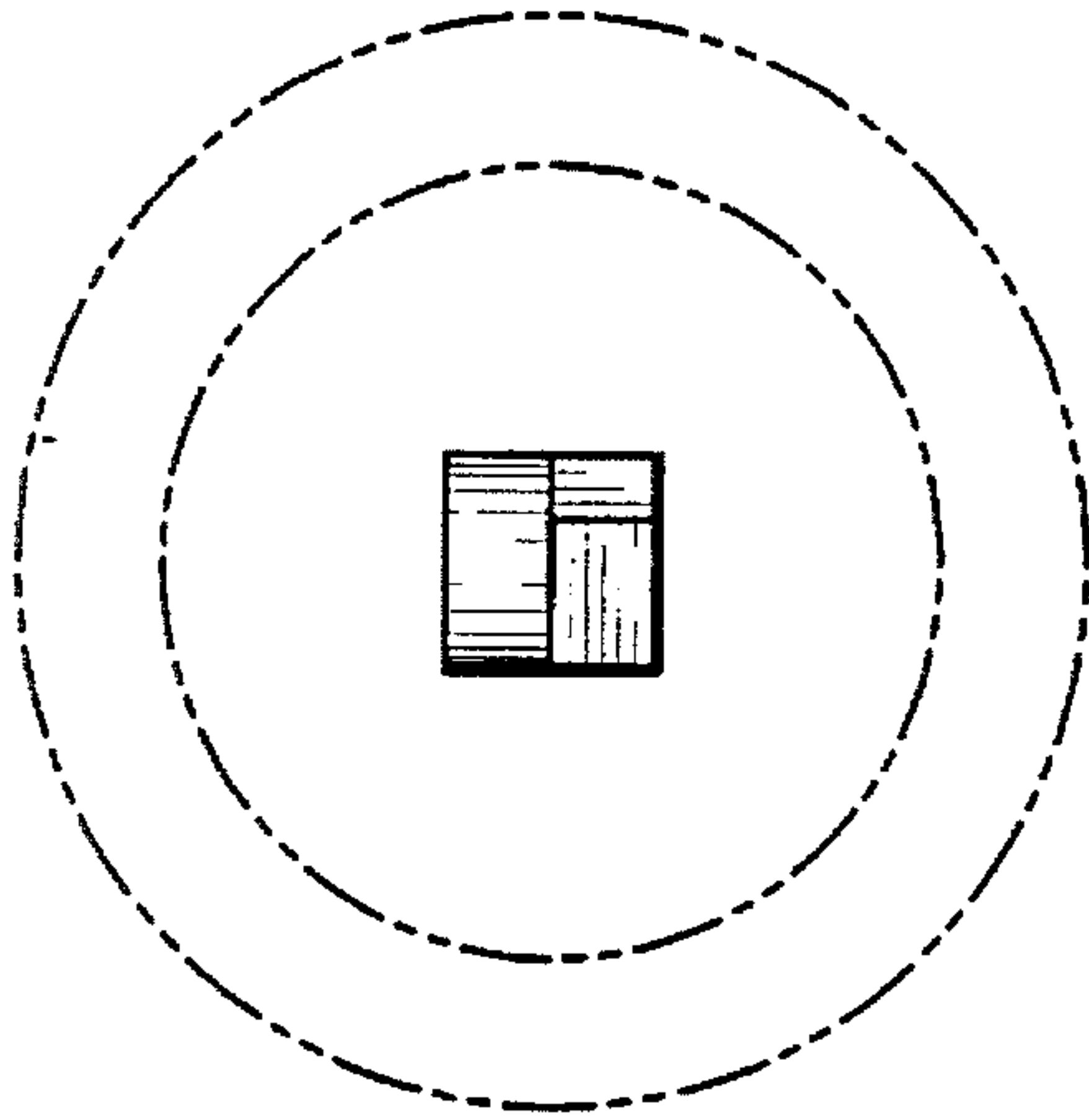
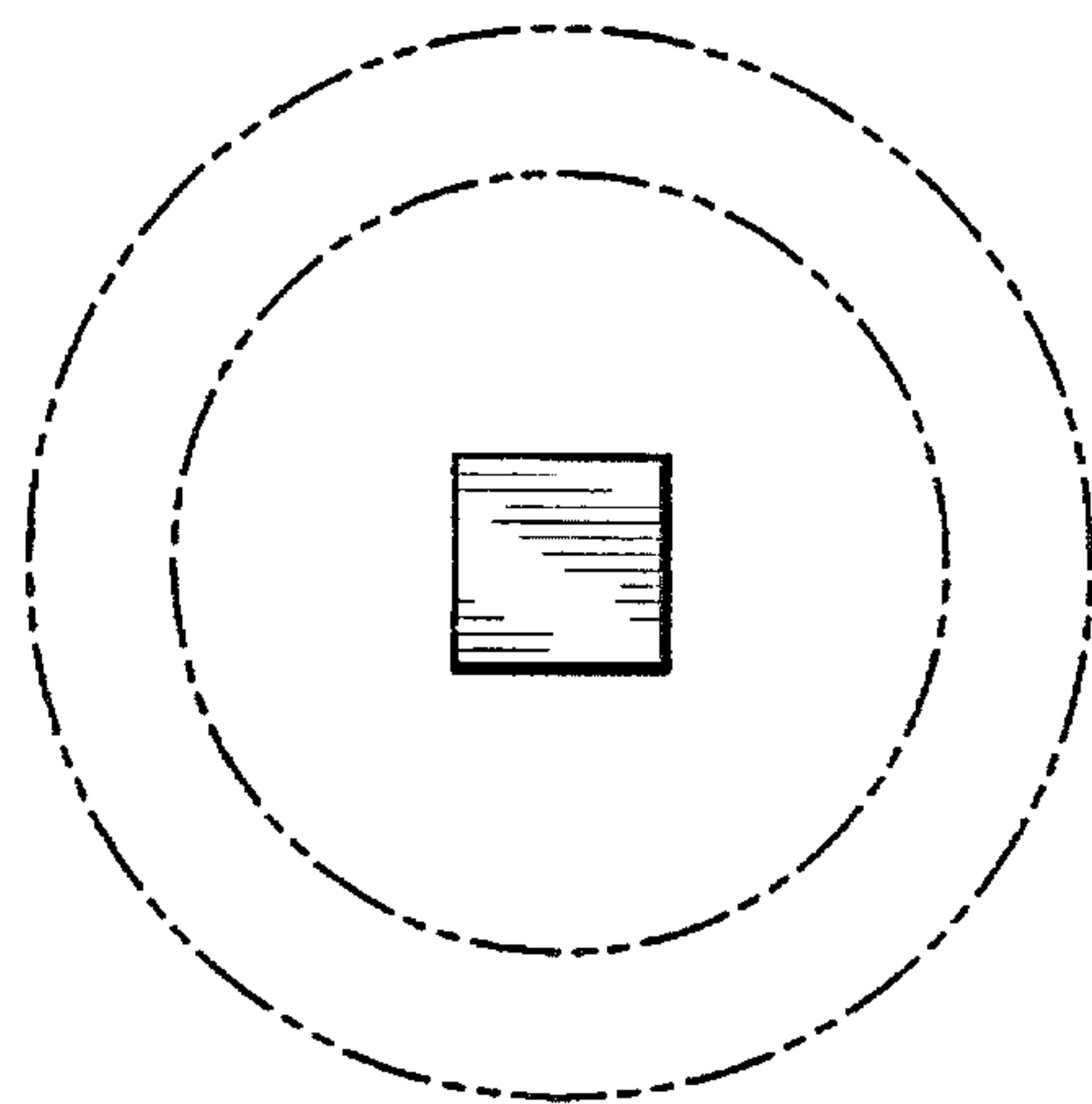


FIG. 1



*FIG. 2*



*FIG. 3*

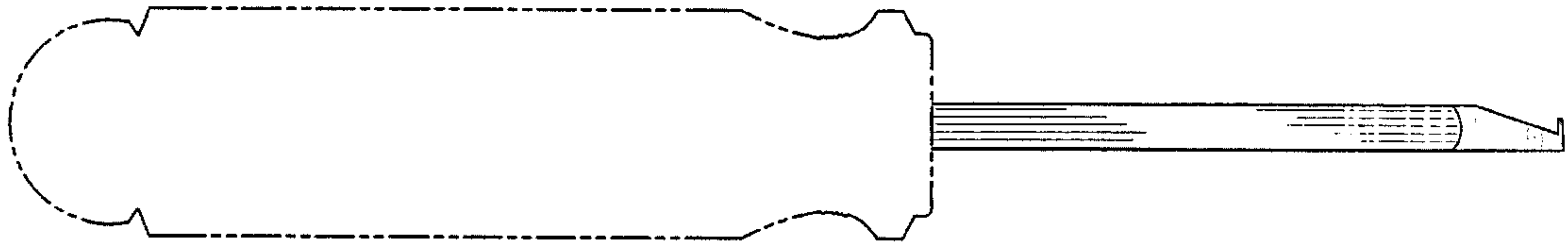


FIG. 4

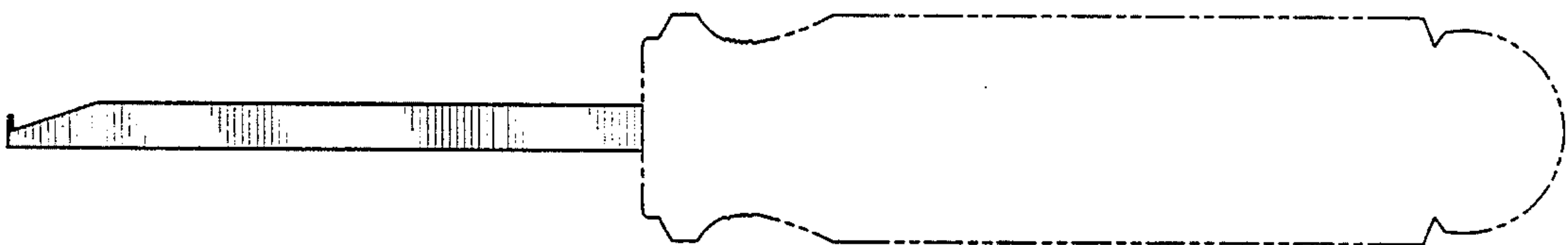


FIG. 5

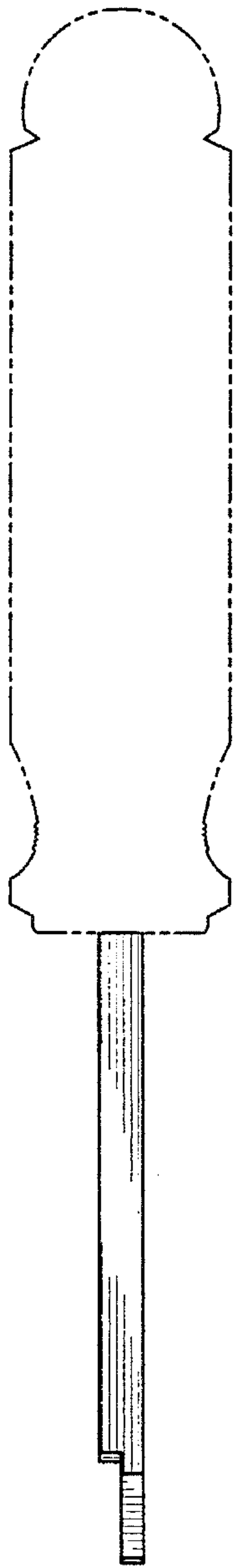


FIG. 6

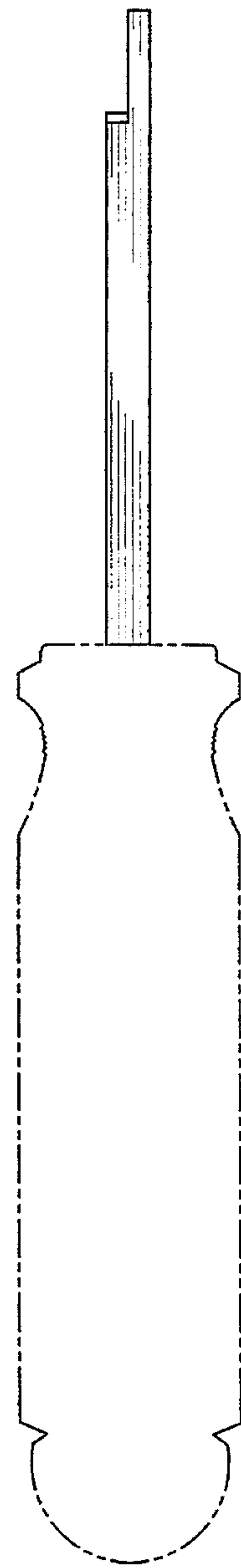


FIG. 7