



US00D364323S

United States Patent [19]

[11] Patent Number: **Des. 364,323**

Zupo et al.

[45] Date of Patent: ****Nov. 21, 1995**

[54] **LIGHT BULB BASE EXTRACTOR**

3,549,188	12/1970	Cerasoli	81/53.12
3,797,055	3/1974	Green	81/441
4,199,852	4/1980	Ayers et al.	29/270 X
4,485,701	12/1984	Hough	81/64
5,386,744	2/1995	Garcia	81/53.11

[75] Inventors: **Alan L. Zupo**, Markham; **Roger G. Brown**, Willowdale, both of Canada

[73] Assignee: **Socket Butler Inc.**, Concord, Canada

Primary Examiner—Terry A. Wallace
Assistant Examiner—Richelle Shelton
Attorney, Agent, or Firm—Mark B. Eisen

[**] Term: **14 Years**

[21] Appl. No.: **24,073**

[57] **CLAIM**

[22] Filed: **Jun. 7, 1994**

The ornamental design for a light bulb base extractor, as shown and described.

[30] **Foreign Application Priority Data**

DESCRIPTION

Apr. 8, 1994 [XH] Hague Agreement 1994-0675

[52] **U.S. Cl.** **D8/14**

FIG. 1 is a perspective view of a light bulb base extractor showing our new design;

[58] **Field of Search** D8/14, 107, 394;
294/64.1, 20; 81/53.11, 53.12, 64, 441;
29/270

FIG. 2 is a side elevation view thereof, the opposite side being identical;

FIG. 3 is a front elevation view thereof;

FIG. 4 is a rear elevation view thereof; and,

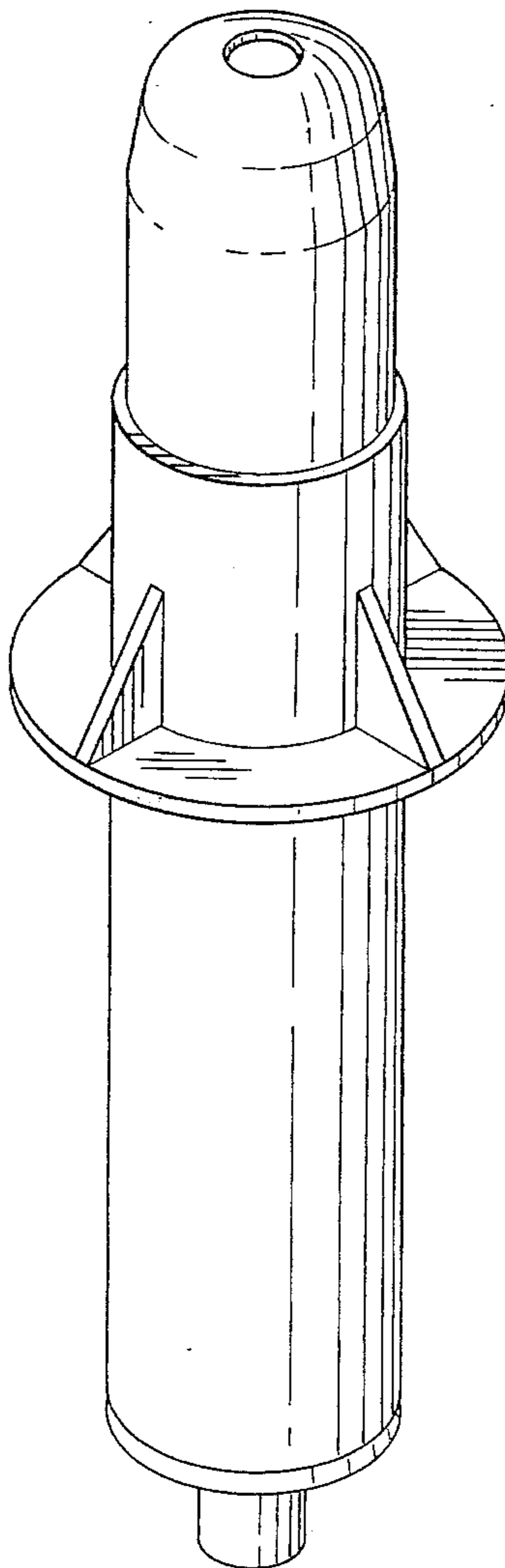
FIG. 5 is an exploded perspective view thereof.

[56] **References Cited**

U.S. PATENT DOCUMENTS

D. 350,262 9/1994 Fallon D8/14

1 Claim, 3 Drawing Sheets



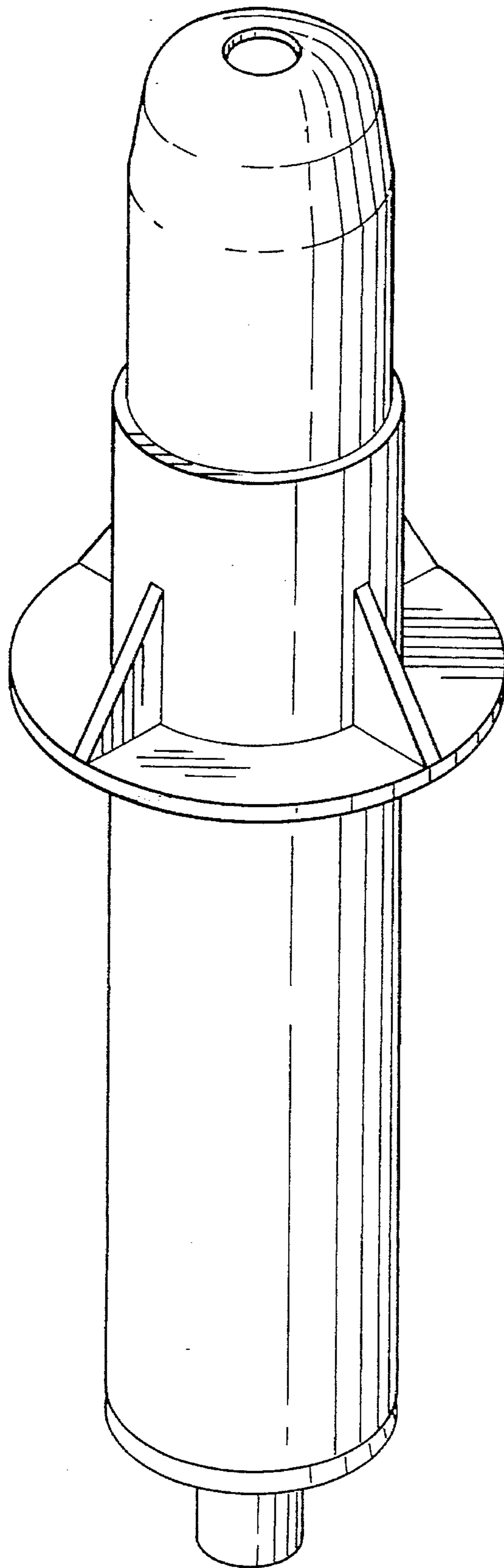


FIG 1

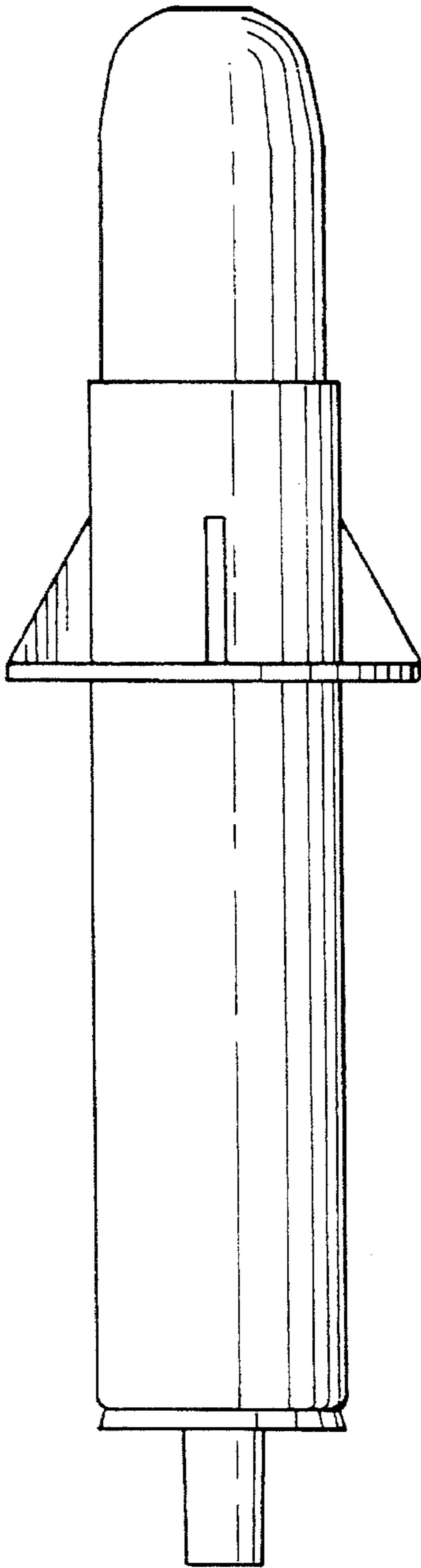


FIG. 2

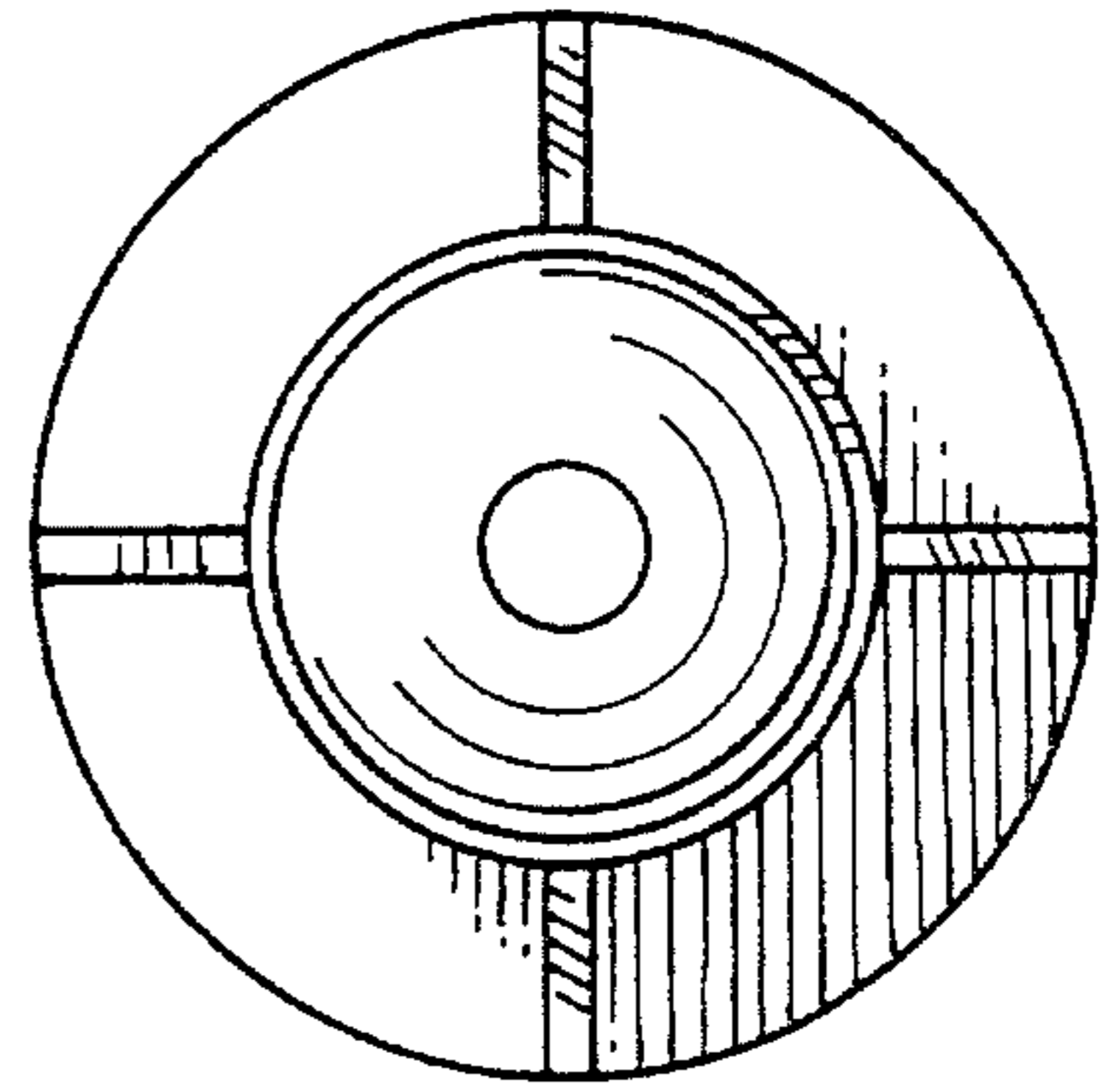


FIG. 3

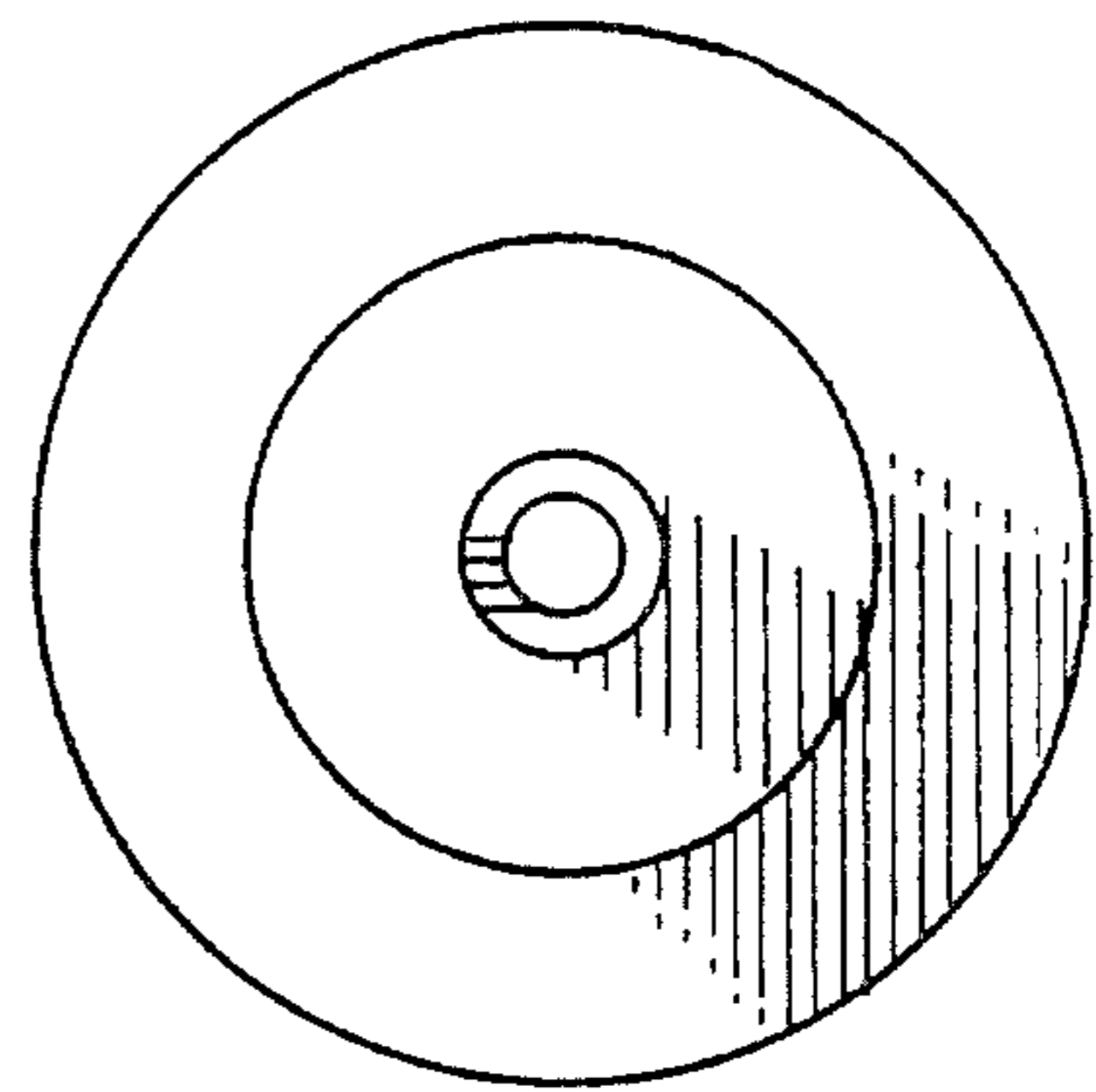


FIG. 4

